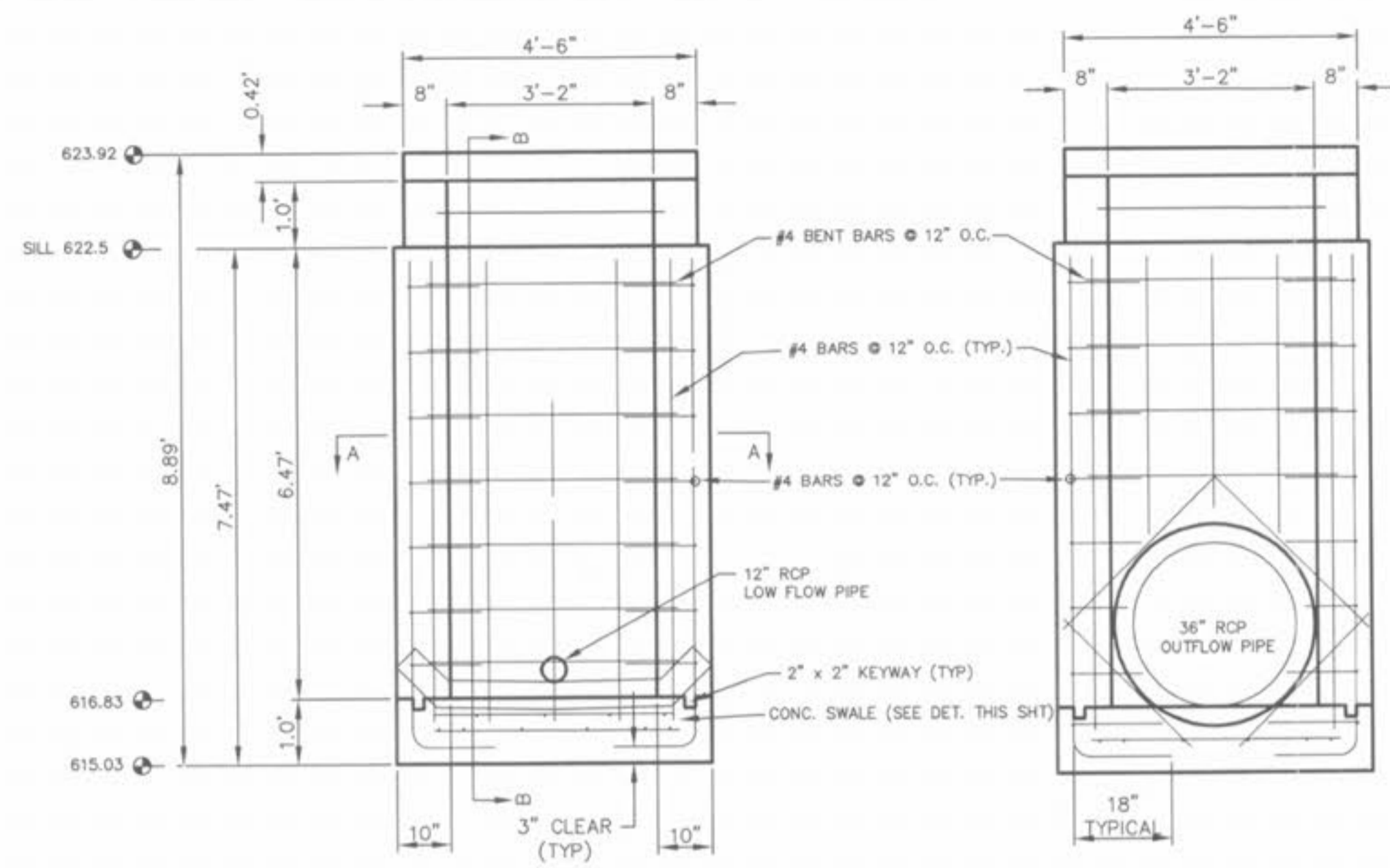
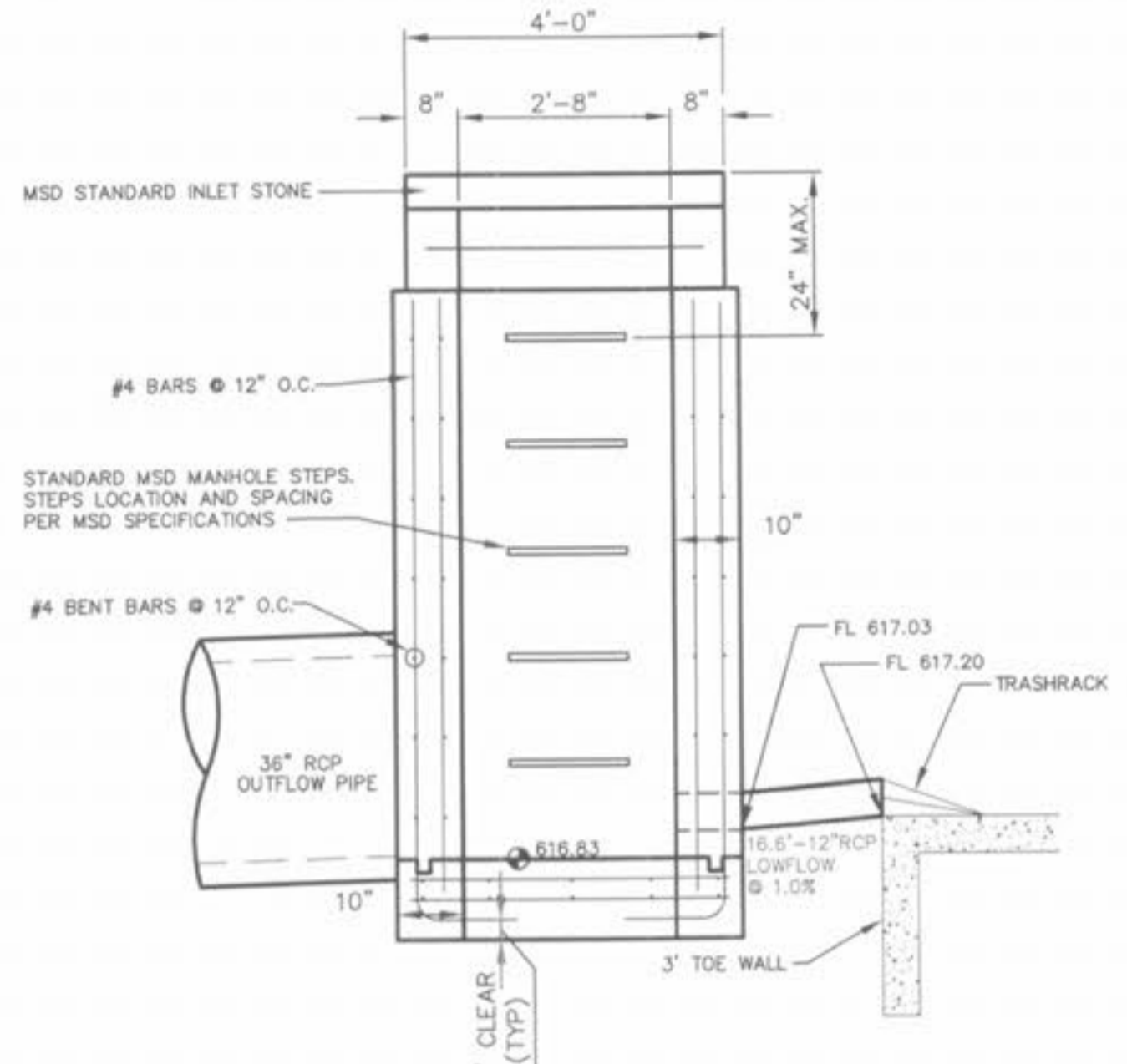


Drawing name: K:\0212311_RHODES TRACT.dwg IMPROVEMENTS\231105.dwg Plotted on: Feb 15, 2006 - 6:53pm Plotted by: lgreen

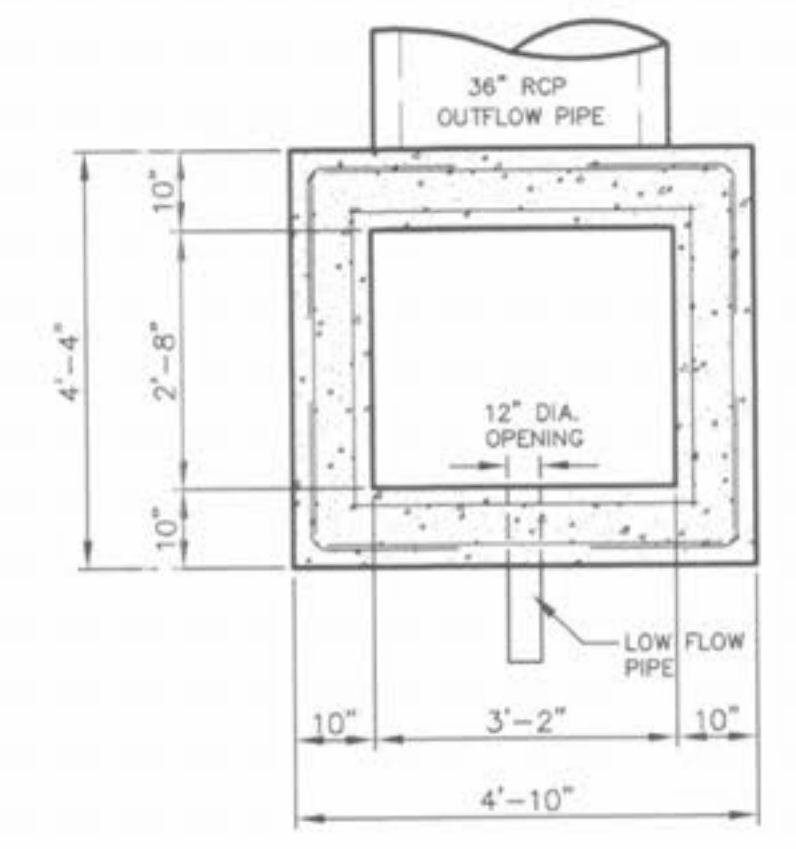


OUTFALL STRUCTURE 8
FRONT ELEVATION
N.T.S.

OUTFALL STRUCTURE 8
REAR ELEVATION
N.T.S.

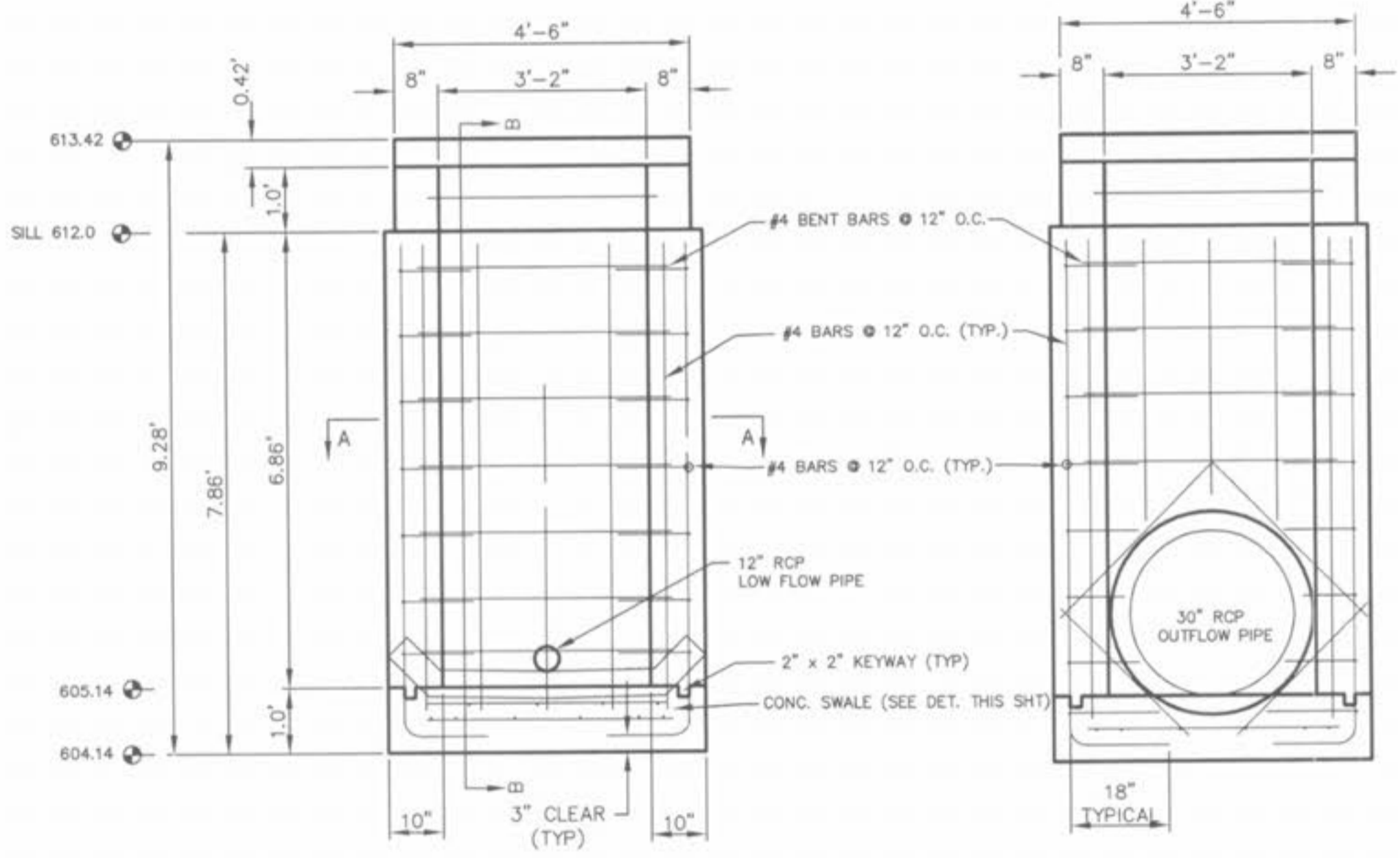


OUTFALL STRUCTURE 8
SECTION B-B
N.T.S.



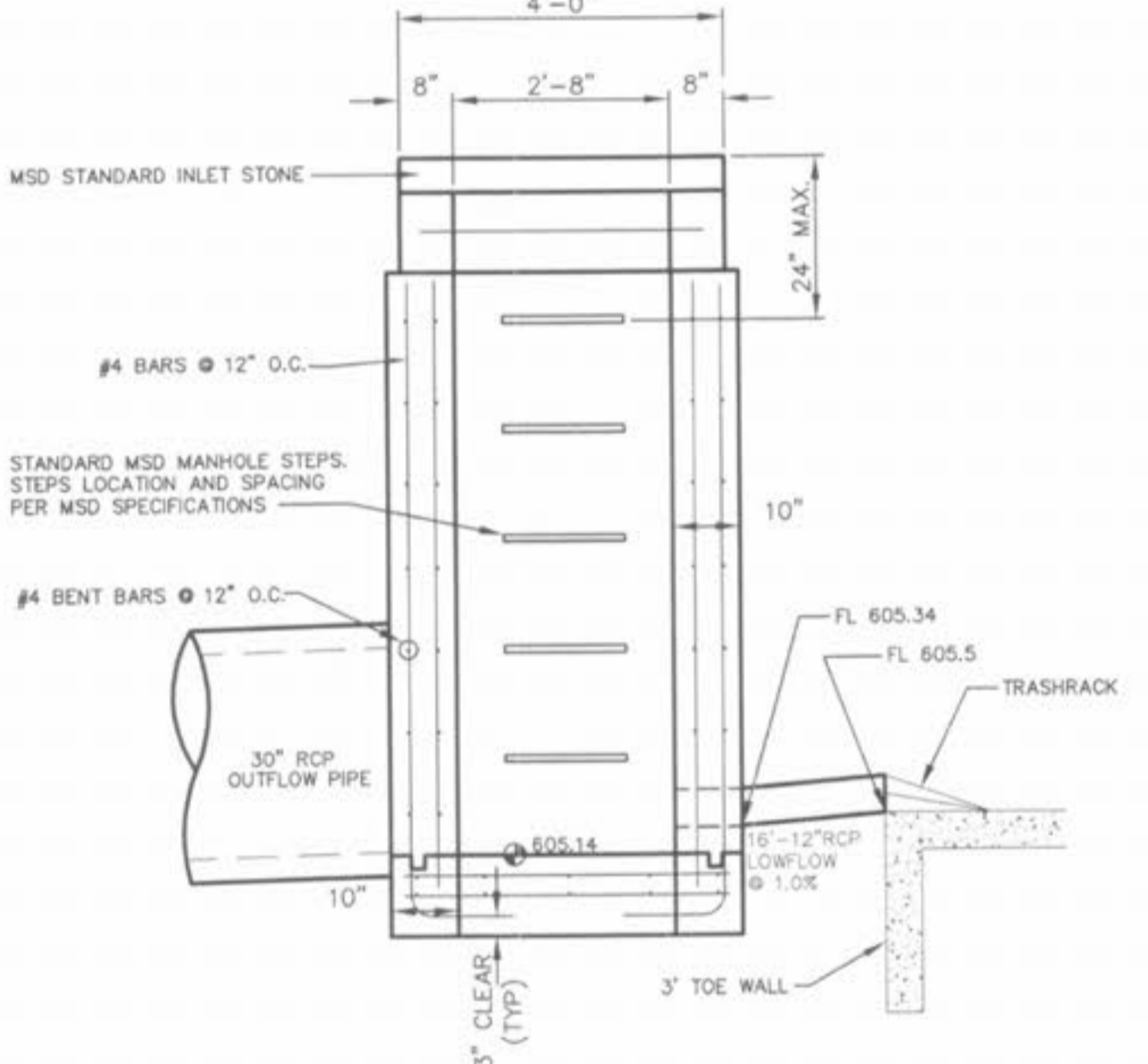
OUTFALL STRUCTURE 8
SECTION A-A
N.T.S.

OUTFALL STRUCTURE #8
2 YEAR, 20 HOUR STORM 620.23
15 YEAR, 20 HOUR STORM 621.21
25 YEAR, 20 HOUR STORM 621.77
100 YEAR, 20 HOUR STORM 622.55
100 YEAR, 20 MIN. STORM BLOCKED LOW FLOW = 623.61

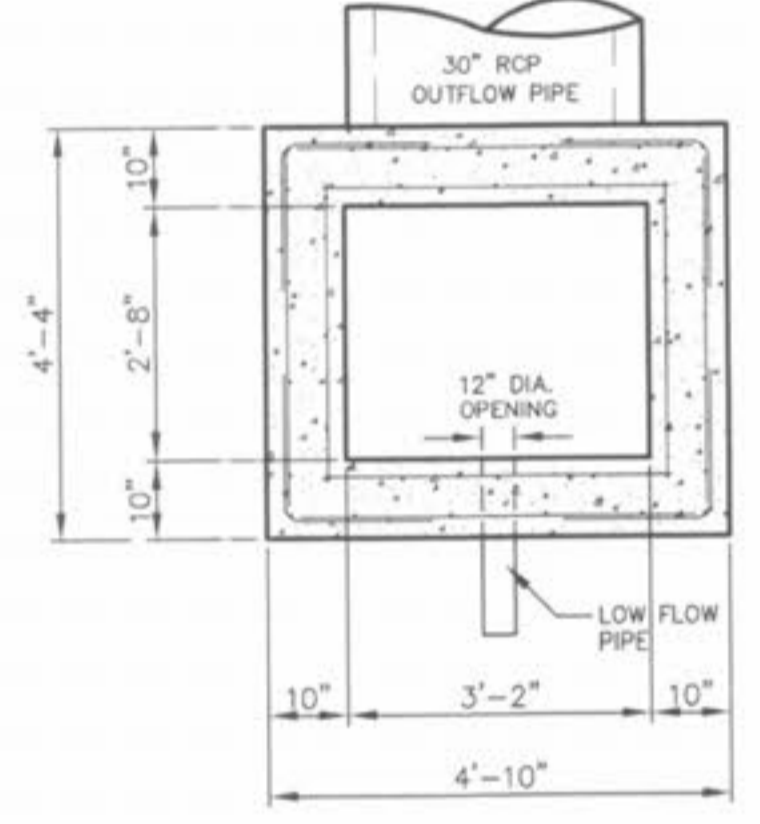


OUTFALL STRUCTURE 92
FRONT ELEVATION
N.T.S.

OUTFALL STRUCTURE 92
REAR ELEVATION
N.T.S.

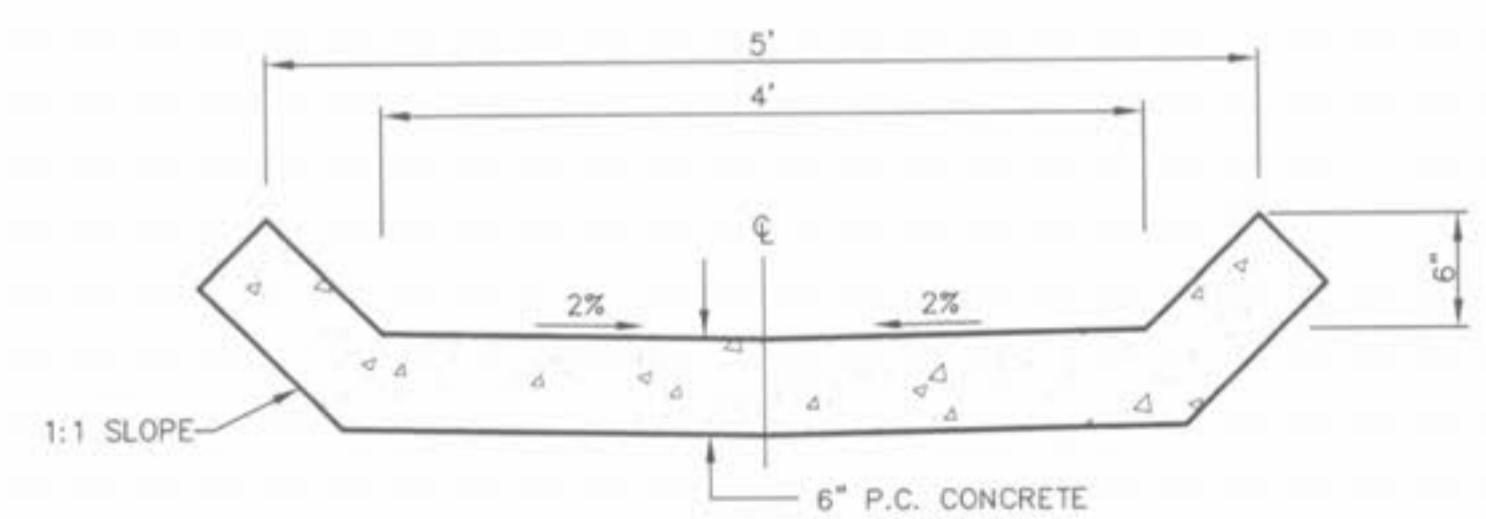


OUTFALL STRUCTURE 92
SECTION B-B
N.T.S.

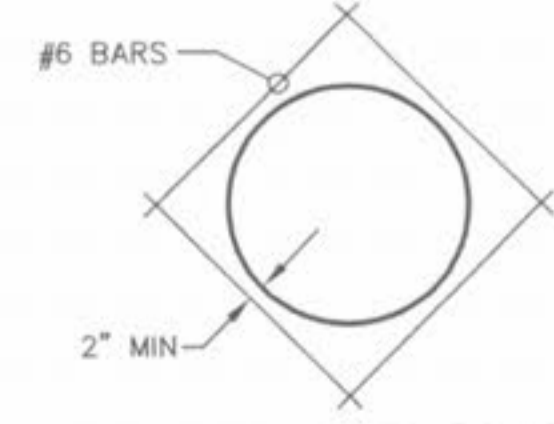


OUTFALL STRUCTURE 92
SECTION A-A
N.T.S.

OUTFALL STRUCTURE #92
2 YEAR, 20 HOUR STORM 609.75
15 YEAR, 20 HOUR STORM 611.42
25 YEAR, 20 HOUR STORM 612.25
100 YEAR, 20 HOUR STORM 612.82
100 YEAR, 20 MIN. STORM BLOCKED LOW FLOW = 613.28

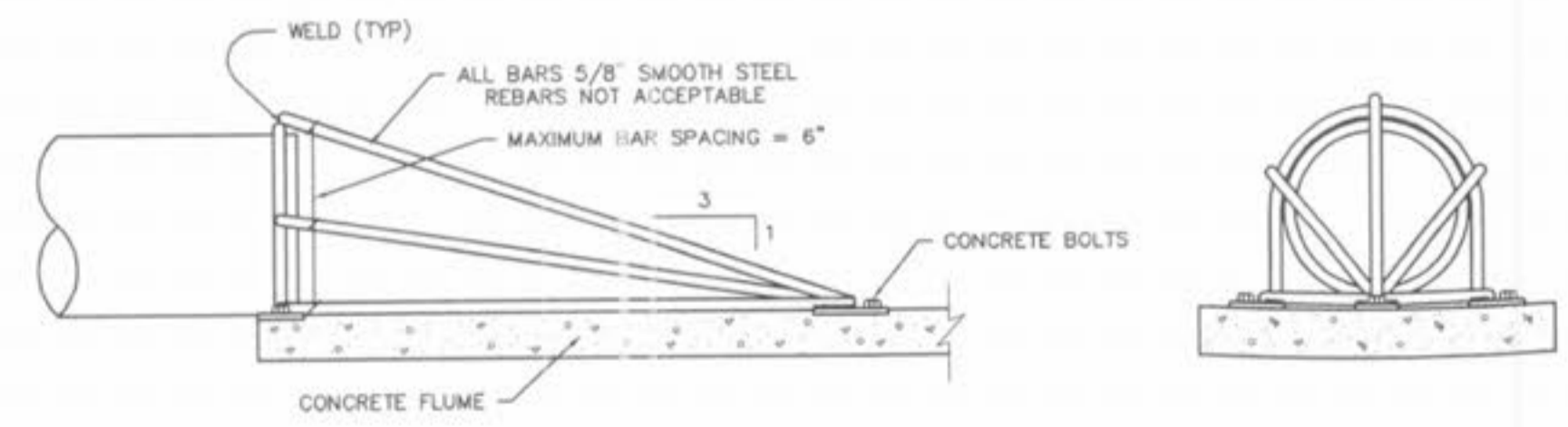


CONCRETE SWALE DETAIL
N.T.S.
TYPICAL EACH BASIN



DETAIL SHOWING REINFORCING
AROUND OPENINGS
N.T.S.
TYPICAL EACH BASIN

- CONSTRUCTION NOTES:**
- CONCRETE FOR THE STRUCTURE SHALL BE "AIR ENTRAINED" AND CONTAIN AT LEAST 6 SACK CLASS "A" PORTLAND CEMENT PER CUBIC YARD. THE CONCRETE SHALL BE PLACED AT A SLUMP OF 4 INCHES ± 1/2 INCH. THE CONCRETE SHALL BE PROPORTIONED AND TRANSPORTED IN ACCORDANCE WITH ASTM C-94.
 - REINFORCING STEEL SHALL CONFORM TO ASTM C-615-60 WITH DEFORMATIONS CONFORMING TO ASTM A-305 AND SHALL HAVE A MINIMUM COVER OF 2 INCHES EXCEPT FOR 3 INCHES WHERE CONCRETE IS POURED AGAINST EARTH.
 - LAPS AND/OR SPLICES IN REINFORCING STEEL SHALL BE A MINIMUM OF 30 BAR DIAMETERS.
 - KEYED JOINTS SHOWN ARE TO BE 2-INCH BY 2-INCH KEYED CONSTRUCTION JOINTS.
 - FY = 60,000 PSI
 - FC = 3,500 PSI
 - ALL EXPOSED EDGES ARE TO HAVE A 3/4-INCH CHAMFER.
 - CONTRACTOR TO PROVIDE FOR BYPASS OF STORMWATER DURING CONSTRUCTION OF STRUCTURE.
 - SOIL DENSITY TESTS SHALL BE OBTAINED BY THE SOILS ENGINEER AT SELECTED INTERVALS TO INSURE COMPLIANCE WITH SOILS SPECIFICATIONS.
 - ALL SOIL SPECIFICATIONS SHALL BE DIRECTED BY SOILS ENGINEER.
 - 2" CLEAR (TYP) TO CLOSEST REBAR TO CONCRETE SURFACE. UNLESS NOTED OTHERWISE.



ASSEMBLY BY FIELD WELD

TRASH RACK
N.T.S.

THE UNDERGROUND UTILITIES SHOWN HEREON WERE PLOTTED FROM AVAILABLE INFORMATION AND DO NOT NECESSARILY REFLECT THE ACTUAL EXISTENCE, NONEXISTENCE, SIZE, TYPE, NUMBER OR LOCATION OF THESE OR OTHER UTILITIES. THE GENERAL CONTRACTOR SHALL BE RESPONSIBLE FOR VERIFYING THE ACTUAL LOCATION OF ALL UNDERGROUND UTILITIES, SHOWN OR NOT SHOWN, AND SAID UTILITIES SHALL BE LOCATED IN THE FIELD PRIOR TO ANY GRADING, EXCAVATION OR CONSTRUCTION OF IMPROVEMENTS. THESE PROVISIONS SHALL IN NO WAY ABSOLVE ANY PARTY FROM COMPLYING WITH THE UNDERGROUND FACILITY SAFETY AND DAMAGE PREVENTION ACT, CHAPTER 319, RSMo.

ISSUE	REMARKS/DATE
10	CITY COMMENTS/02-03-06
11	CITY COMMENTS/02-15-06
3	DCSD COMMENT/05-28-05
4	DCSD COMMENT/05-13-05
5	DCSD AND CITY COMMENTS/11-14-05
6	CITY COMMENTS/11-22-05
7	CITY COMMENTS/12-30-05
8	WATER DISTRICT #2 COMMENTS/01-17-06
9	DEVELOPER REVISIONS/01-24-06

PREPARED FOR:
STERLING CO.
ENGINEERS & SURVEYORS
5055 NEW BAUMGARTNER ROAD
ST. LOUIS, MISSOURI 63129
(314) 487-0440 FAX 487-4944
E-Mail: Sterling@sterling-eng-survey.com

PREPARED BY:
Handwritten signature
2/16/2006

PROJECT:
CMB RHODES, L.L.C.
5081 New Baumgartner Road
St. Louis, Missouri 63129
(314) 487-6717

DRAWN: *LG*
DESIGNED: *SM*
CHECKED: *SM*

COUNTRYSHIRE

SHEET TITLE: **OUTFALL STRUCTURE DETAILS**

NO.	02	12	311
M.S.D.			SHEET
PH			10.1
DIGITAL FILE LOCATION			OF
DATE PLOTTED			
PLT FILE NAME			