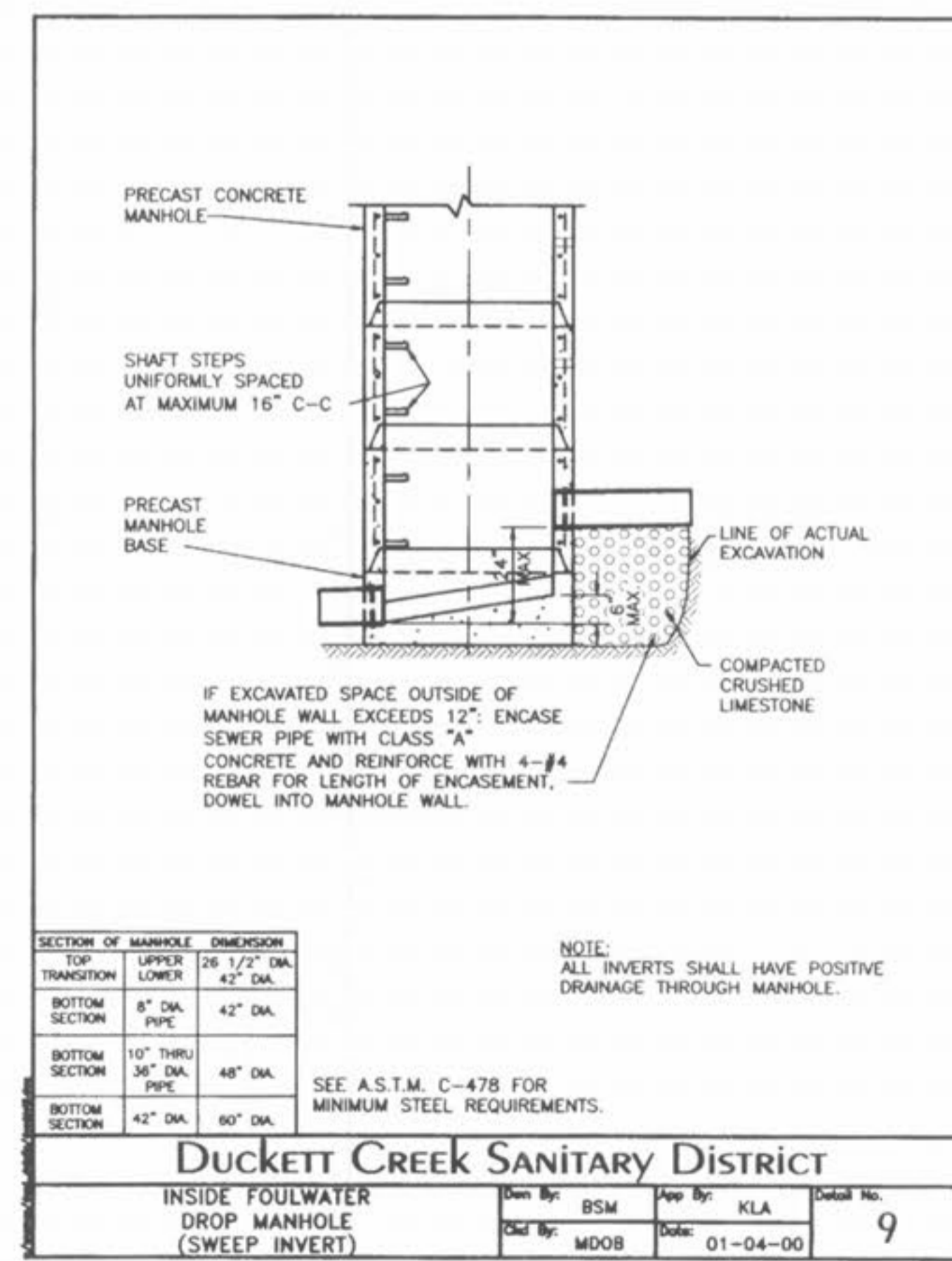
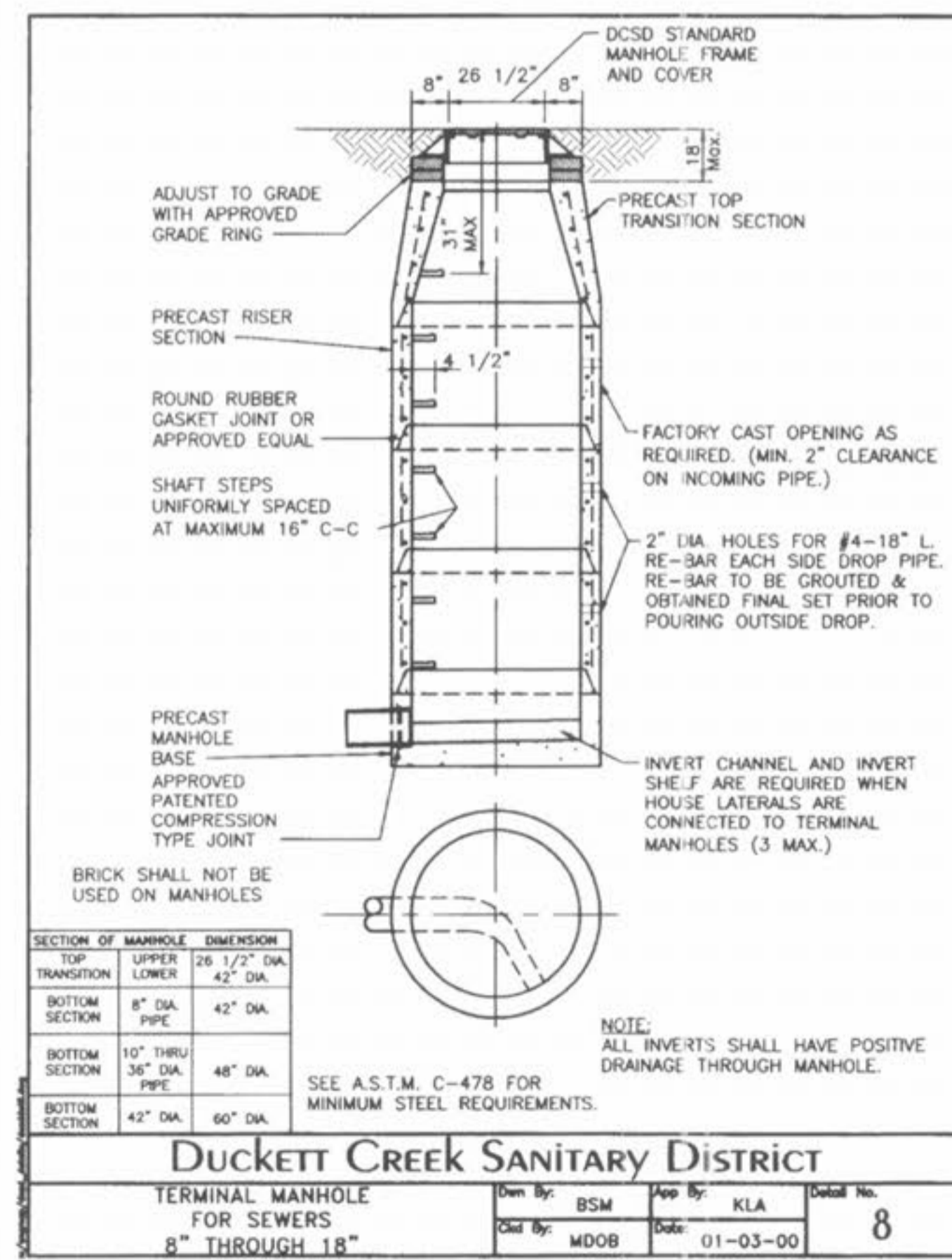
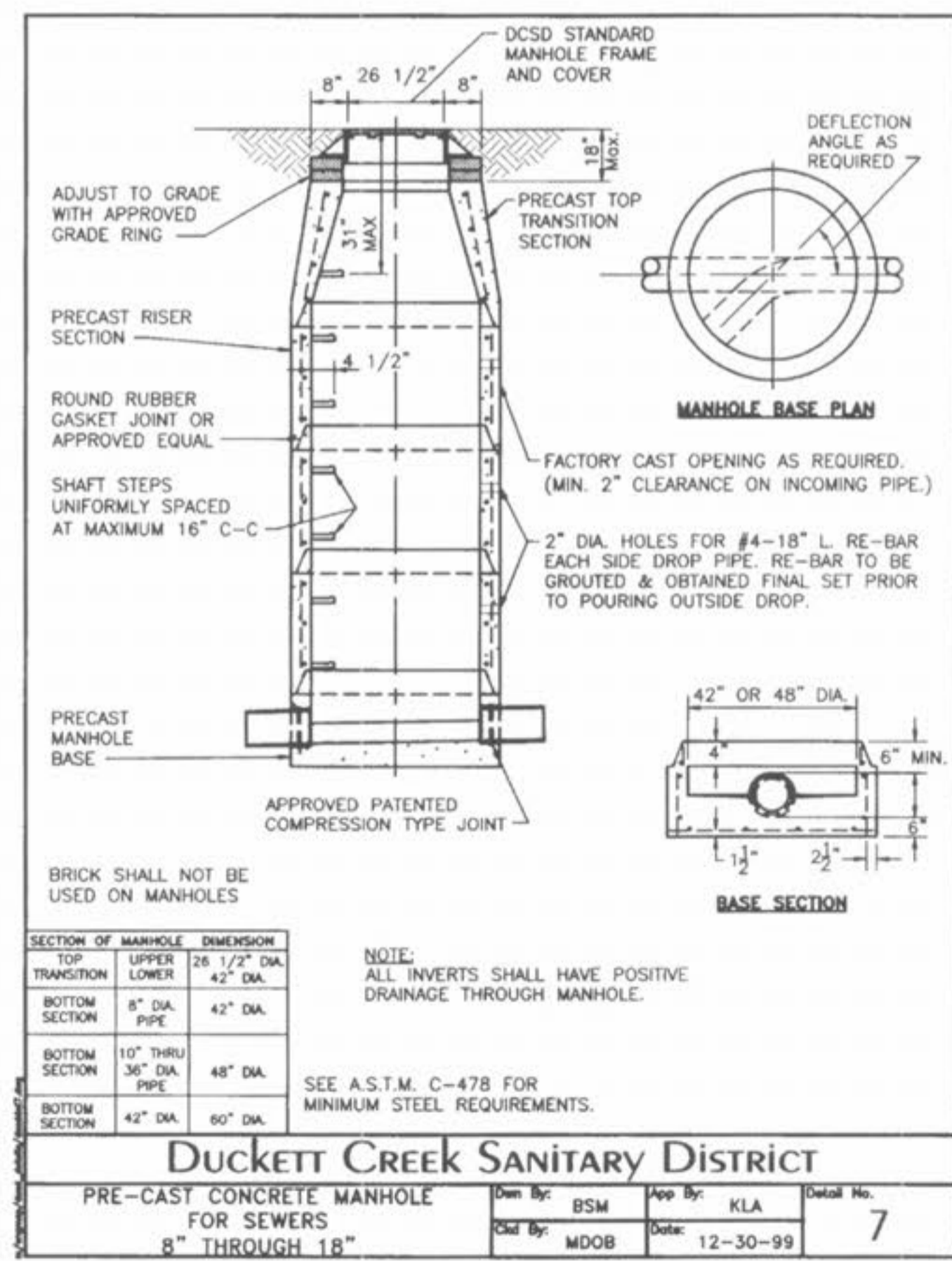
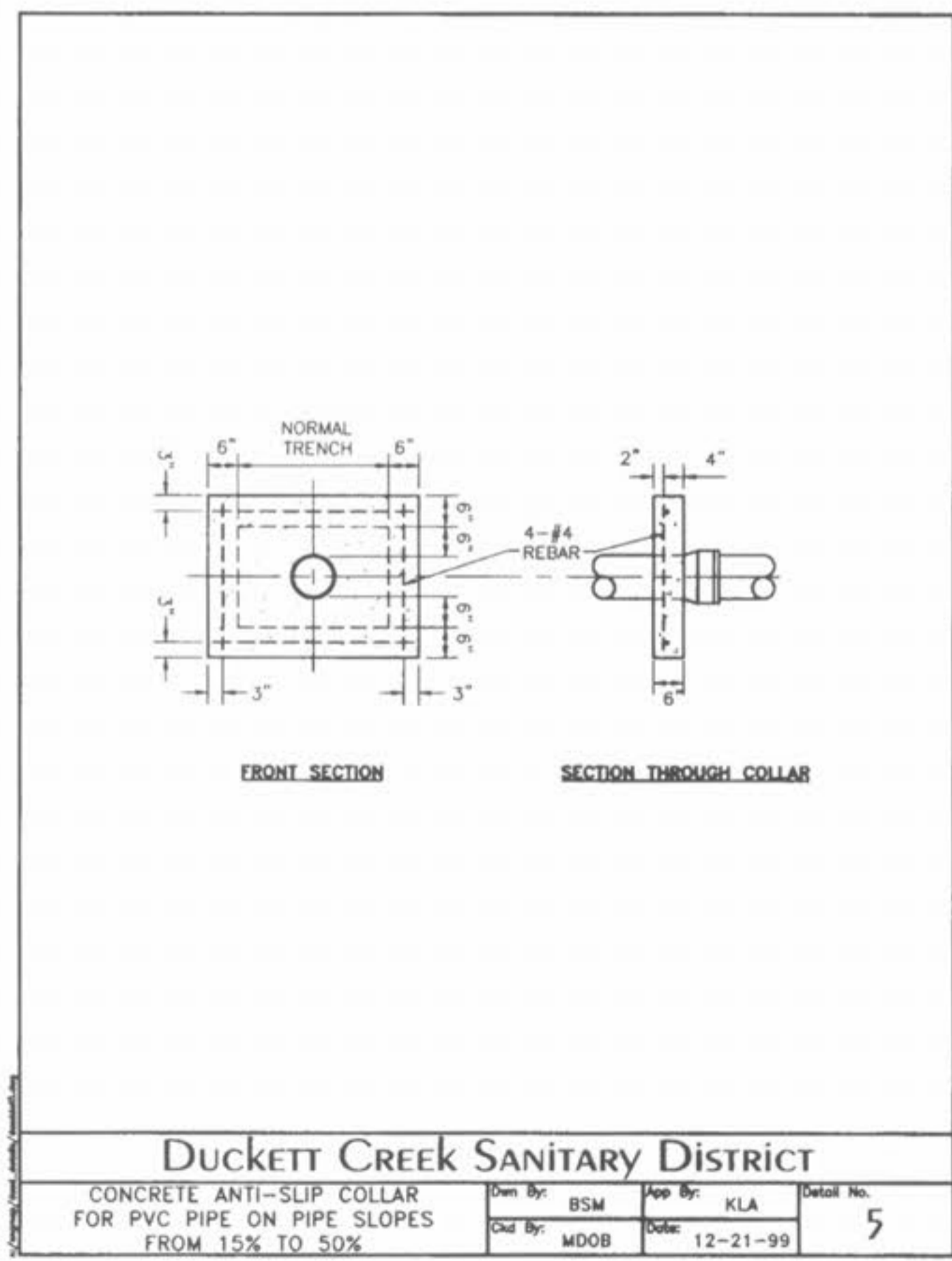
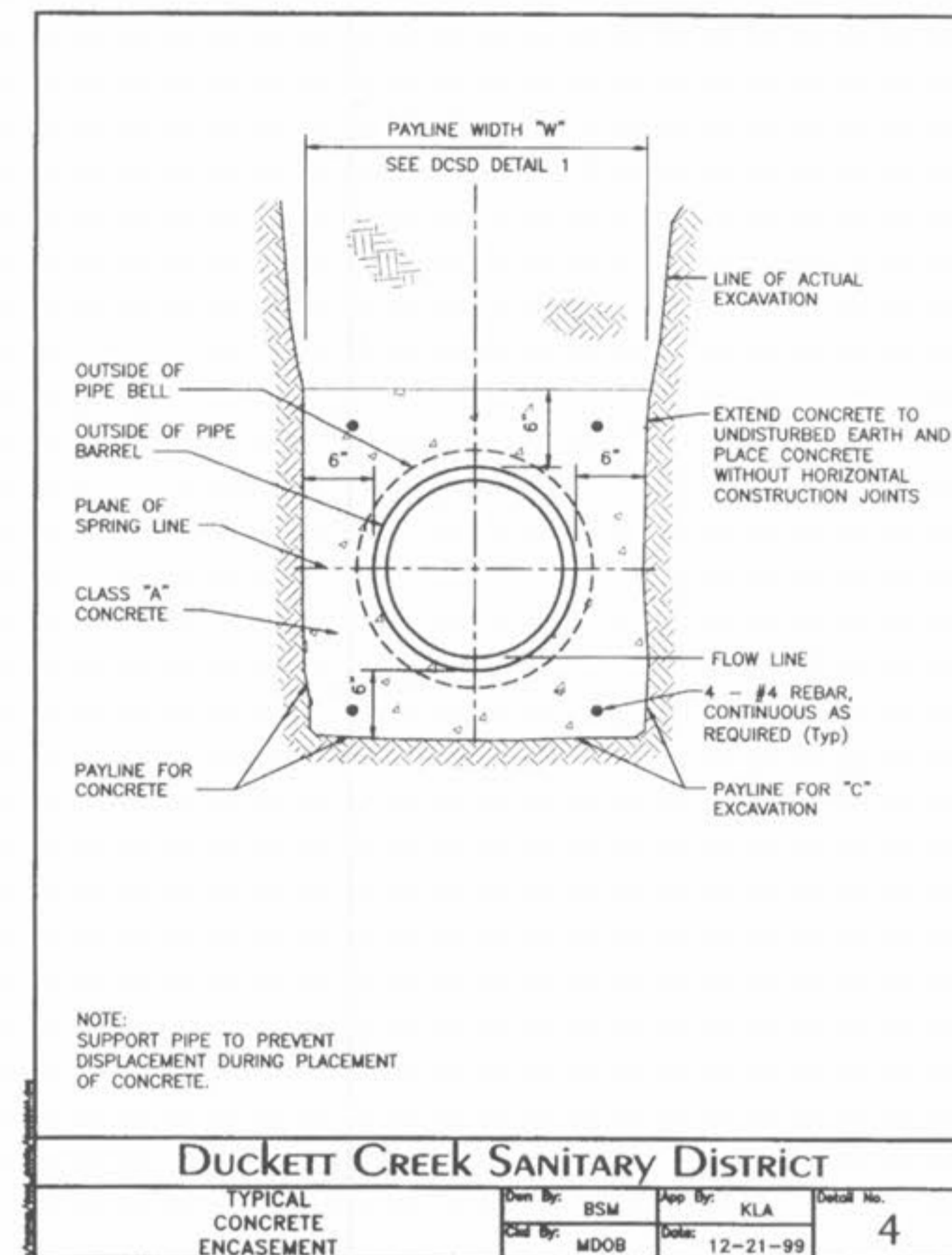
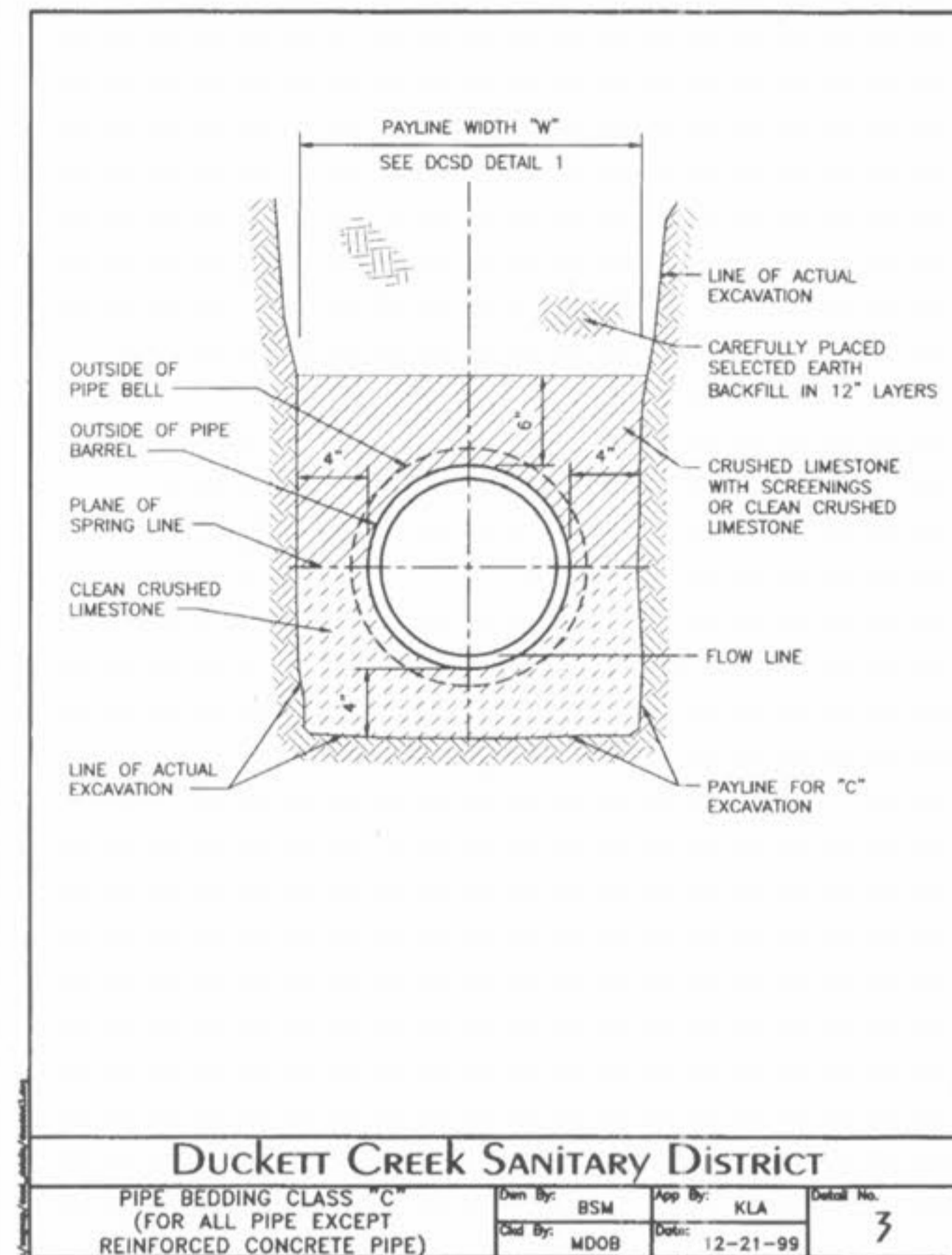
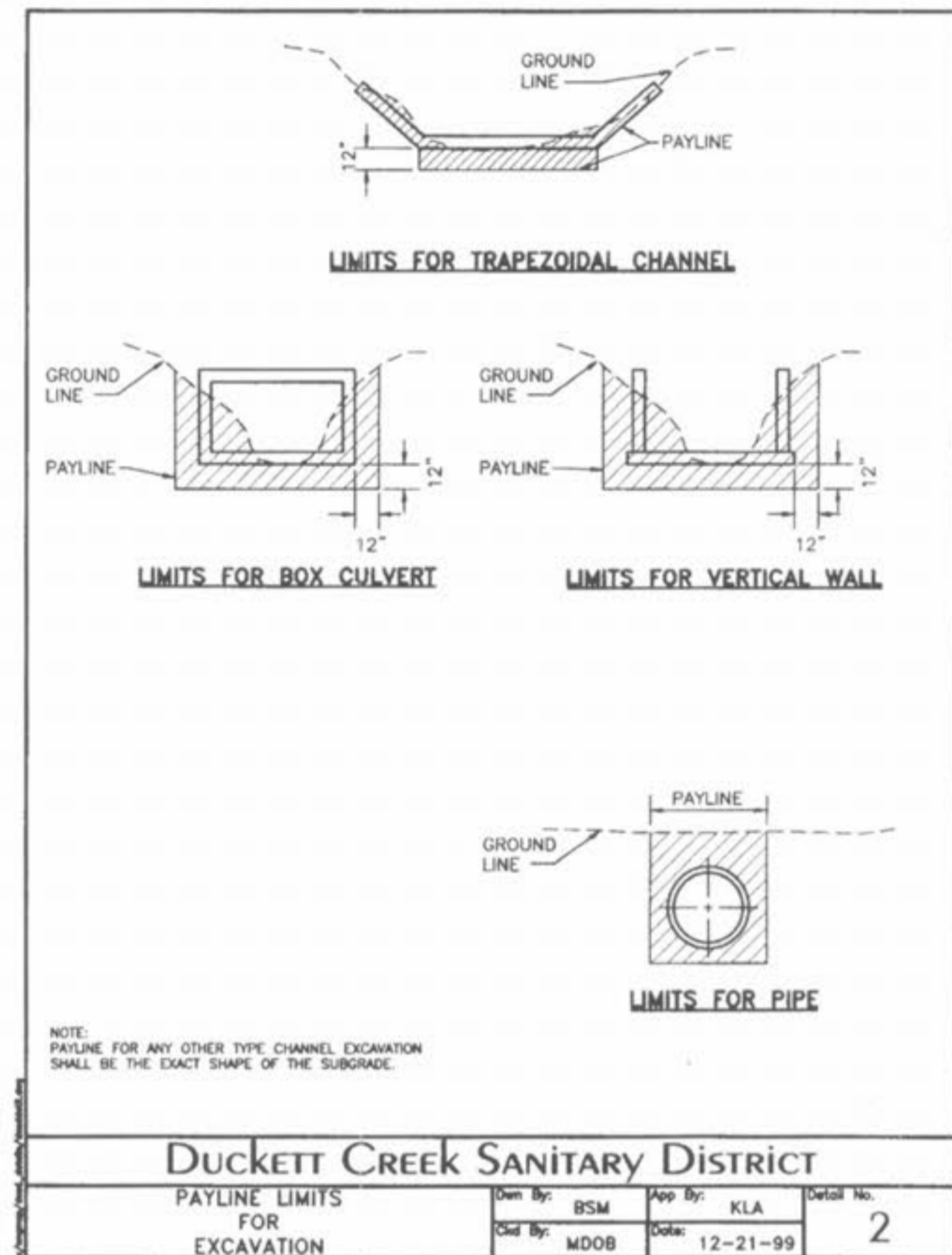


ROUND PIPE				HORIZONTAL ELLIPTICAL PIPE			
INSIDE DIAMETER OF PIPE (INCHES)	"W" PAYLINE WIDTH OF TRENCH (INCHES)	"W" PAYLINE WIDTH OF TRENCH (FEET)	PAY-VOLUMES CU. FT. PER FT. CONCRETE ENCASEMENT	INSIDE DIAMETER OF PIPE (INCHES)	"W" PAYLINE WIDTH OF TRENCH (INCHES)	"W" PAYLINE WIDTH OF TRENCH (FEET)	PAY-VOLUMES CU. FT. PER FT. CONCRETE ENCASEMENT
4	30	2.50	3.28				
6	30	2.50	3.59				
8	30	2.50	3.87				
10	30	2.50	4.09				
12	30	2.50	4.25				
15	36	3.00	5.55				
18	36	3.00	5.77				
21	39	3.25	6.61				
24	42	3.50	7.39				
27	45	3.75	8.18				
30	49	4.08	9.30	14 x 23	41	3.42	5.94
33	53	4.42	10.53				
36	56	4.67	11.43				
39							
42	63	5.25	13.38	19 x 30	49	4.08	7.68
48	70	5.83	15.67	22 x 34	53	4.42	8.61
54	77	6.42	18.15	24 x 38	58	4.83	9.70
60	84	7.00	20.73	27 x 42	62	5.17	10.71
66	91	7.58	23.45	29 x 45	66	5.50	11.72
72	98	8.17	26.37	32 x 49	71	5.92	13.14
78	105	8.75	29.39	34 x 53	75	6.25	14.05
84	112	9.33	32.57	38 x 60	83	6.92	16.18
90	119	9.92	35.90	43 x 68	92	7.67	18.81
96	126	10.50	39.37	48 x 76	101	8.42	21.59
102	133	11.08	42.99	53 x 83	109	9.08	24.35
108	140	11.67	46.75	58 x 91	118	9.83	27.45
114	147	12.25	50.66	63 x 98	126	10.50	30.50
120	154	12.83	54.72	68 x 106	135	11.25	33.91
126	161	13.42	58.92	72 x 113	143	11.92	36.99
132	168	14.00	63.27	77 x 121	152	12.67	40.69
144	182	15.17	72.40	82 x 128	160	13.33	44.45
				87 x 136	168	14.00	47.79
				92 x 143	176	14.67	51.70
				97 x 151	185	15.42	56.01
				106 x 166	202	16.83	64.48
				116 x 180	218	18.17	73.59

DUCKETT CREEK SANITARY DISTRICT
 PAYLINE WIDTHS OF TRENCH AND PAY-QUANTITIES OF CONCRETE
 Drawn By: BSM, App. By: KLA, Detail No. 1
 Check By: MDOB, Date: 12-21-99



ISSUE REMARKS/DATE

10	CITY COMMENTS/02/03/06
11	CITY COMMENTS/02/15/06
12	DCSD COMMENTS/09/28/05
13	DCSD COMMENTS/10/13/05
14	DCSD AND CITY COMMENTS/11-14-05
15	CITY COMMENTS/11-22-05
16	CITY COMMENTS/12-30-05
17	WATER DISTRICT #2 COMMENT/S01-17-06
18	DEVELOPER REVISIONS/01-24-06

PREPARED BY: **STERLING CO.**
ENGINEERS & SURVEYORS
 5095 NEW BAUMGARTNER ROAD
 ST. LOUIS, MISSOURI 63129
 (314) 487-0440 FAX 487-8844
 E-Mail: Sterling@sterling-eng-sar.com

PROJECT: **COUNTRYSHIRE**

CHECKED: *SCM*

DESIGNED: *SCM*

DRAWN: *LG*

NO. **02 12 311**

M.S.D. **P#**

SHEET **CD8**

DIGITAL FILE LOCATION: **SERVER=STERLING-2**

OF

Drawing name: K:\0212311 RHODES TRACT\DWG\IMPROVEMENTS\231102TALS.dwg Plotted on: Feb 15, 2006 - 5:45pm Plotted by: lrynen