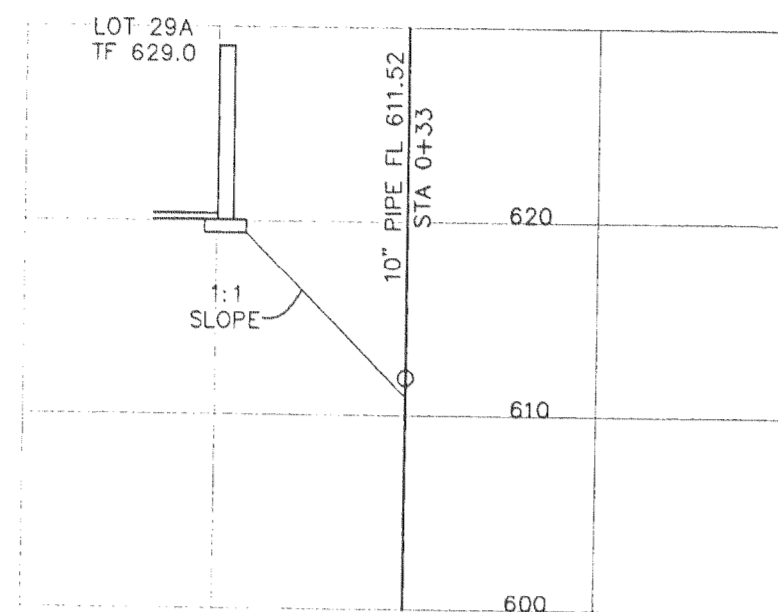
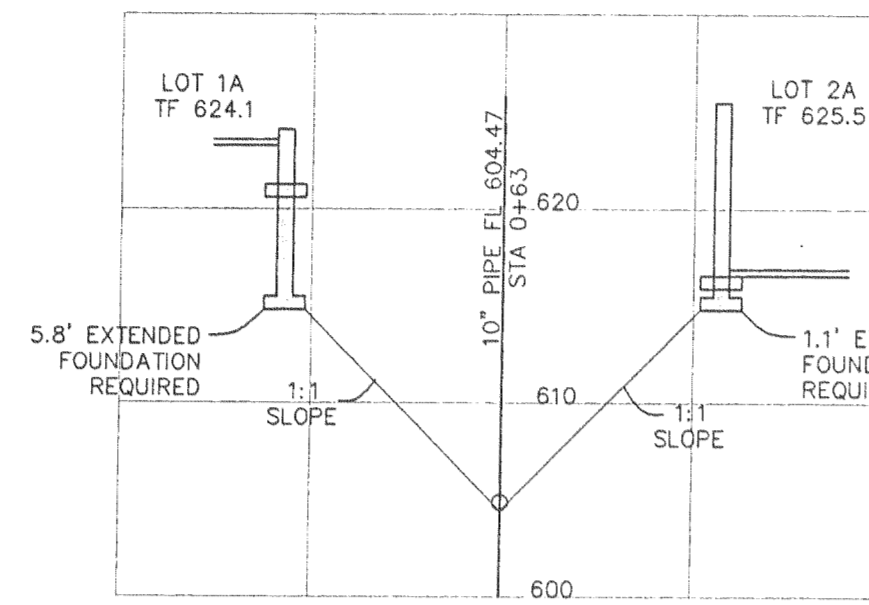


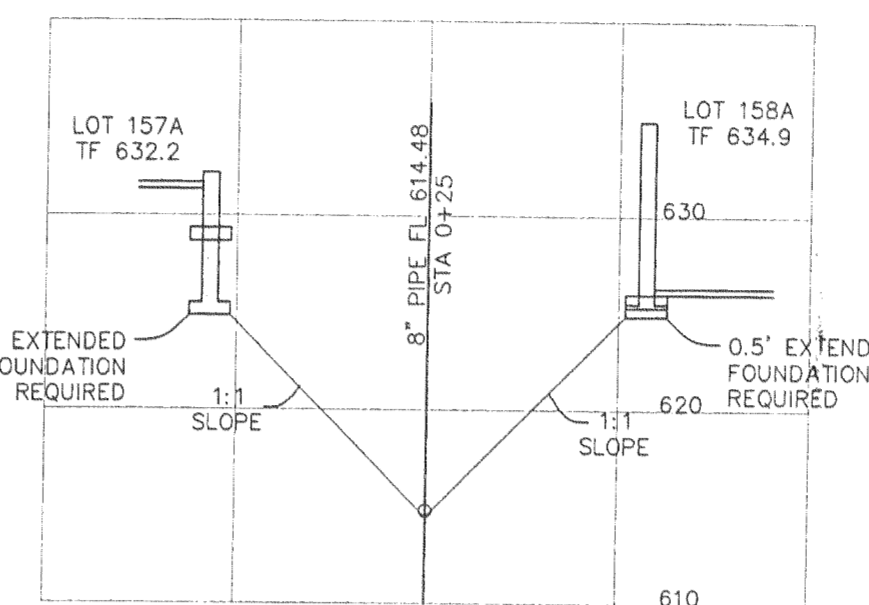
SECTION 48A-49A
SCALE 1"=10' H.
1"=10' V.
SANITARY LINE B11-B12



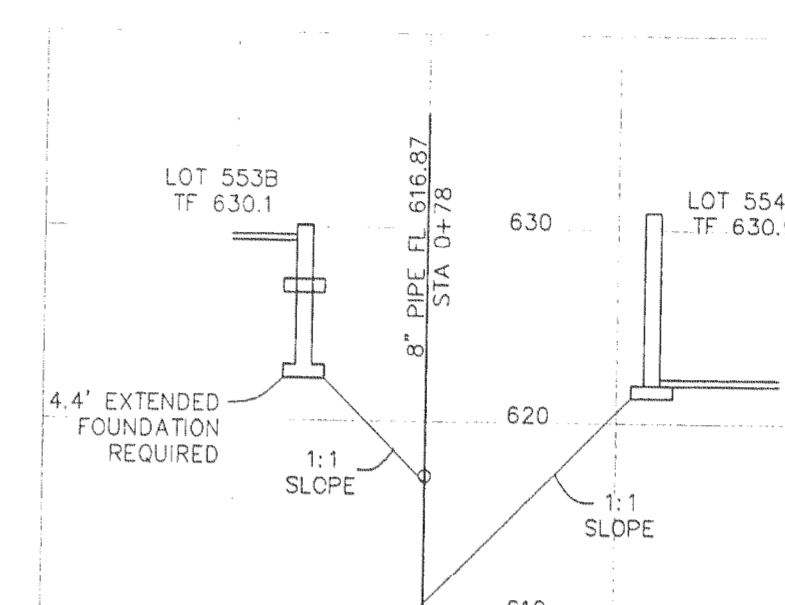
SECTION 29A
SCALE 1"=10' H.
1"=10' V.
SANITARY LINE B5.1-B6



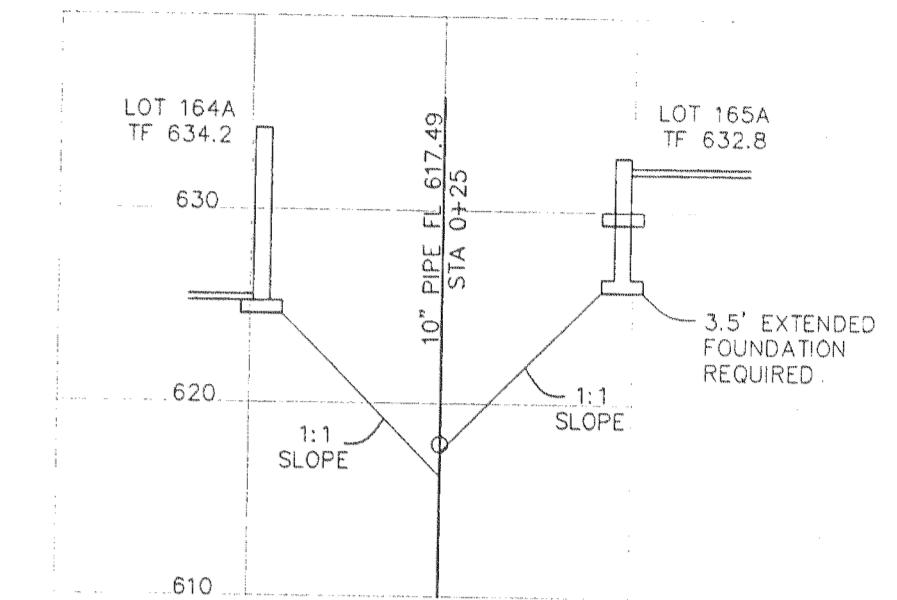
SECTION 1A-2A
SCALE 1"=10' H.
1"=10' V.
SANITARY LINE C6-C7



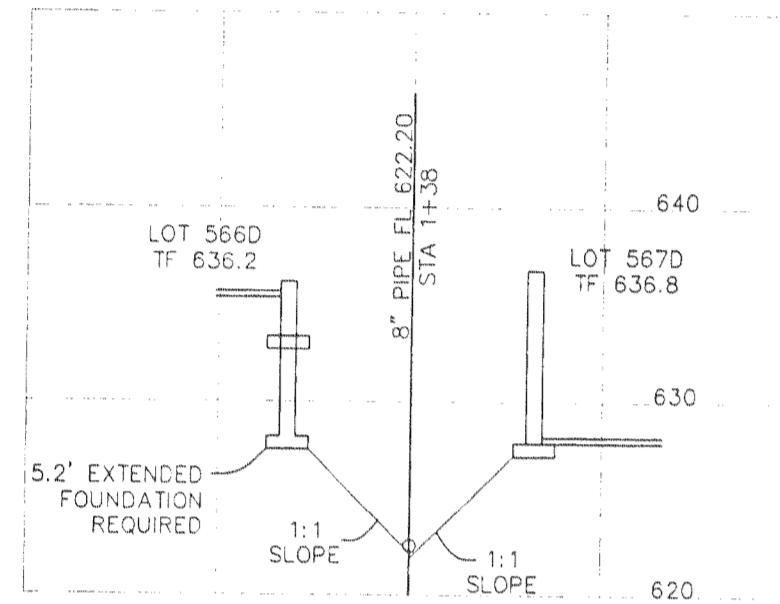
SECTION 157A-158A
SCALE 1"=10' H.
1"=10' V.
SANITARY LINE C15-C16



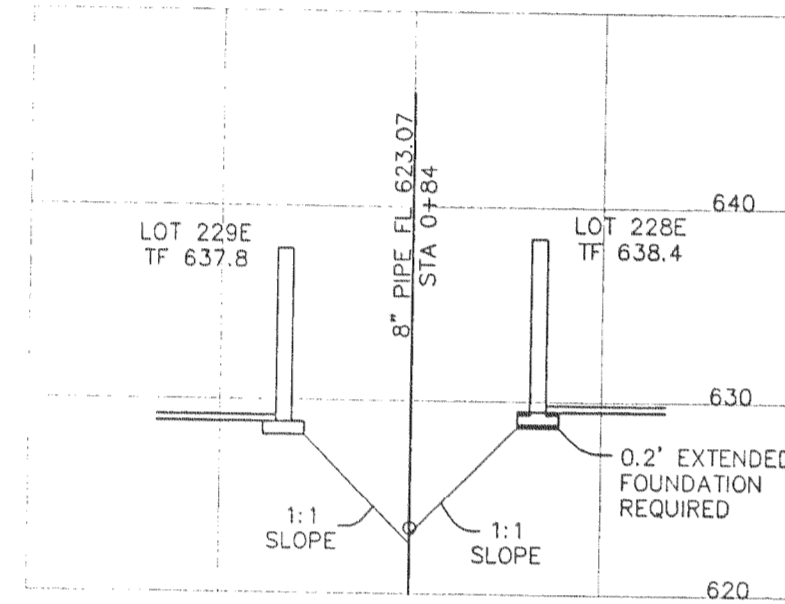
SECTION 553B-554B
SCALE 1"=10' H.
1"=10' V.
SANITARY LINE C17-C18



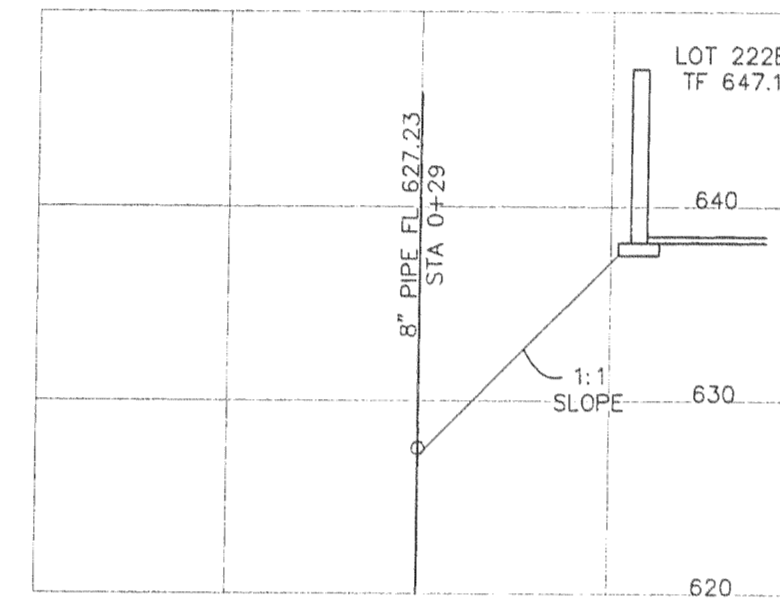
SECTION 164A-165A
SCALE 1"=10' H.
1"=10' V.
SANITARY LINE C27-C28



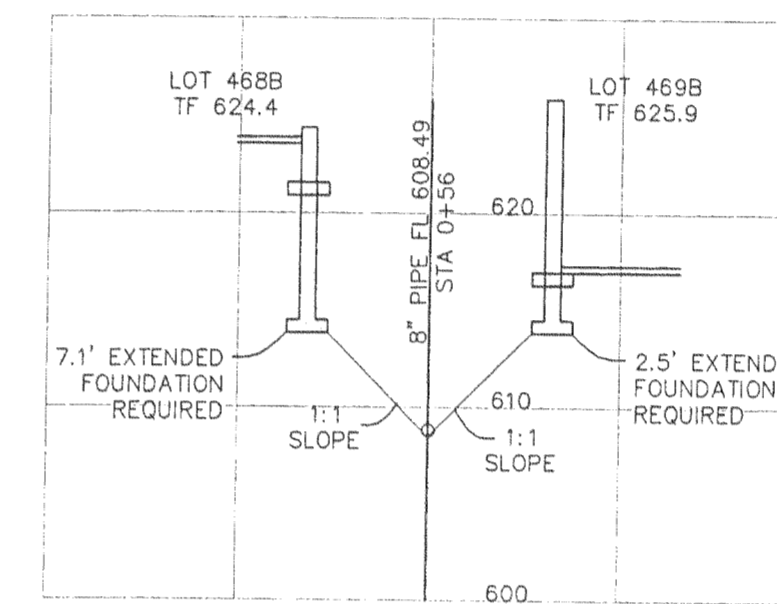
SECTION 566D-567D
SCALE 1"=10' H.
1"=10' V.
SANITARY LINE C29-C46



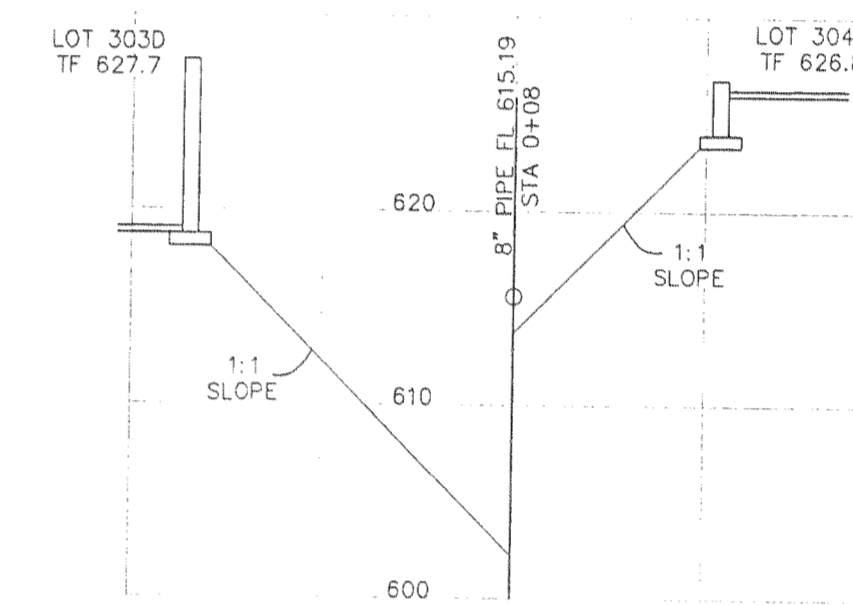
SECTION 229E-228E
SCALE 1"=10' H.
1"=10' V.
SANITARY LINE D2-D3



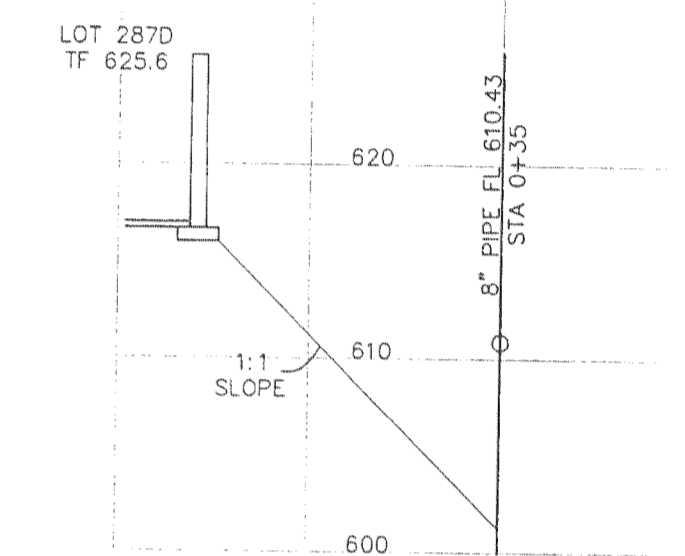
SECTION 222E
SCALE 1"=10' H.
1"=10' V.
SANITARY LINE D7-D9



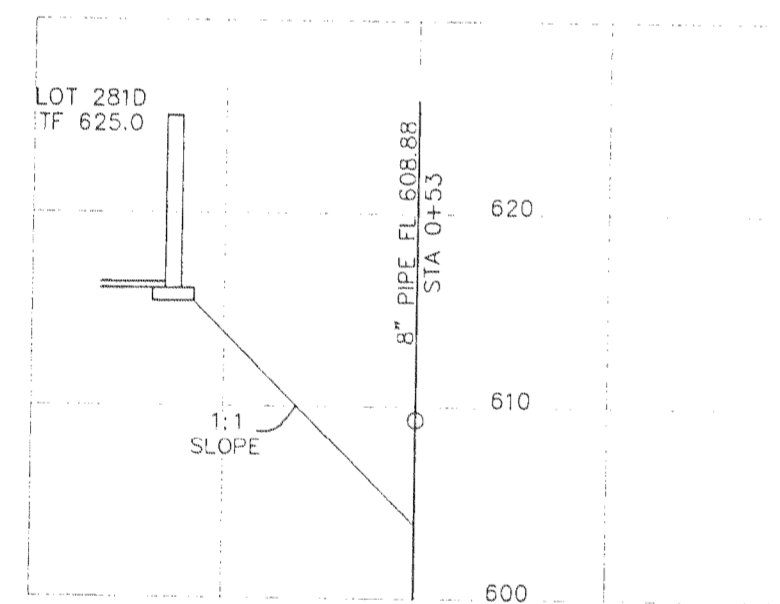
SECTION 468B-469B
SCALE 1"=10' H.
1"=10' V.
SANITARY LINE C2-H1



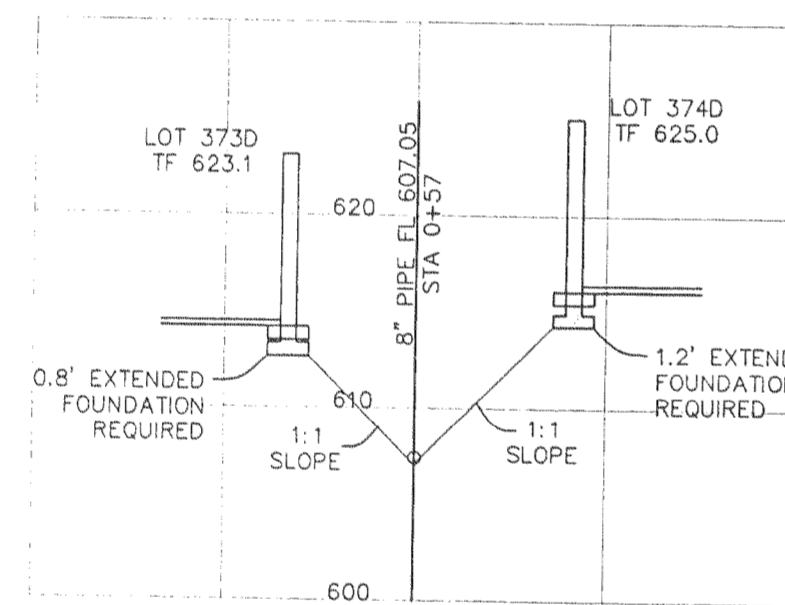
SECTION 303D-304D
SCALE 1"=10' H.
1"=10' V.
SANITARY LINE E27-E28



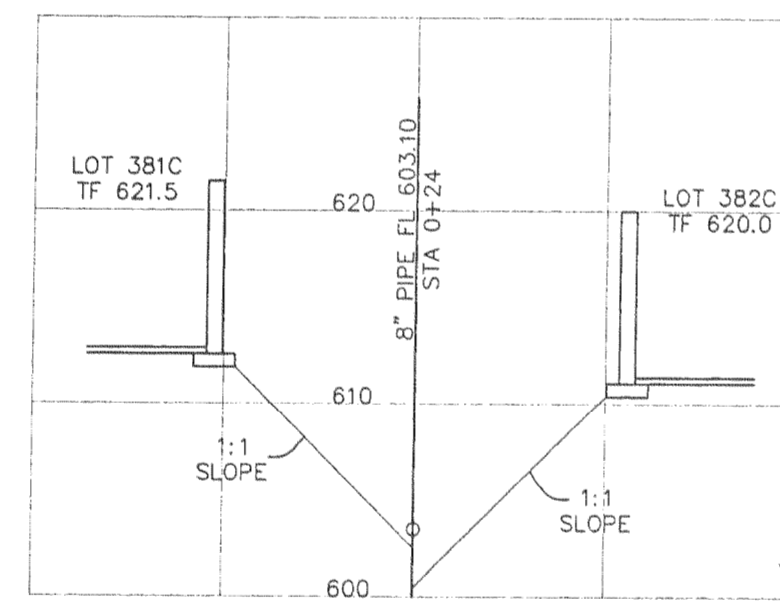
SECTION 287D
SCALE 1"=10' H.
1"=10' V.
SANITARY LINE E24-E25



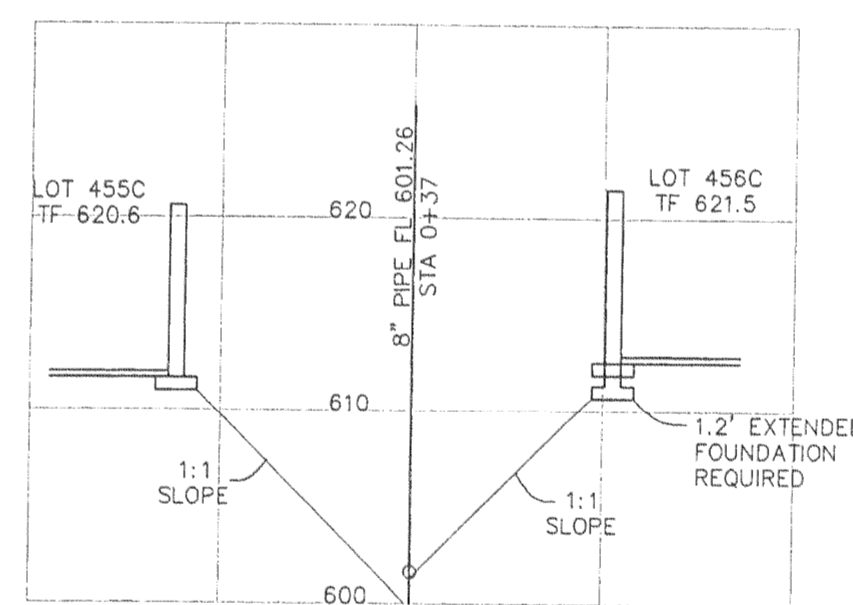
SECTION 281D
SCALE 1"=10' H.
1"=10' V.
SANITARY LINE E23-E24



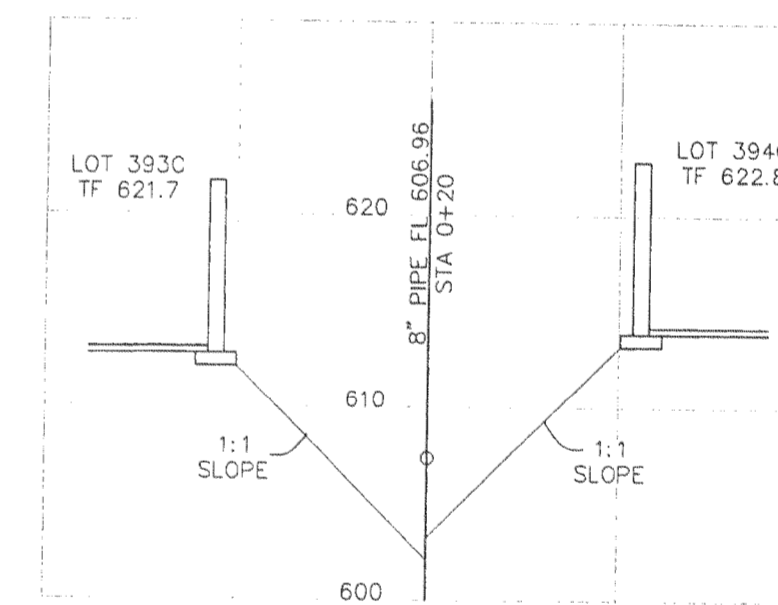
SECTION 373D-374D
SCALE 1"=10' H.
1"=10' V.
SANITARY LINE E6-E23



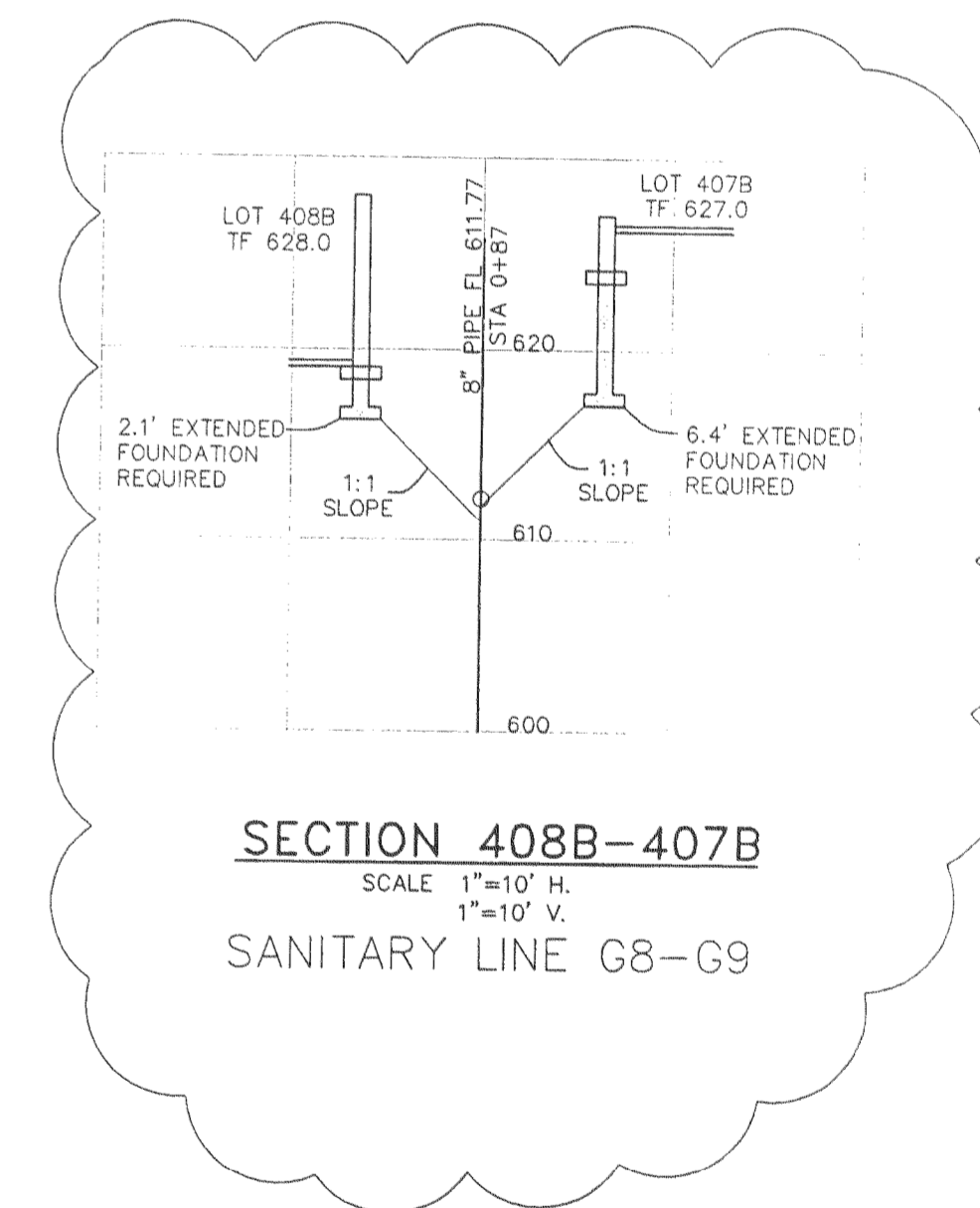
SECTION 381C-382C
SCALE 1"=10' H.
1"=10' V.
SANITARY LINE E4-E5



SECTION 455C-456C
SCALE 1"=10' H.
1"=10' V.
SANITARY LINE E2-E3



SECTION 393C-394C
SCALE 1"=10' H.
1"=10' V.
SANITARY LINE G2-G4



SECTION 408B-407B
SCALE 1"=10' H.
1"=10' V.
SANITARY LINE G8-G9

Drawing name: K:\021231 PROJES PROJ\DWG\INPROJ\DWG\15A\2311sanitary.dwg Plotted on: Dec 04, 2006 - 7:08am Plotted by: jpredd

NO	REVISION/DATE
10	CITY COMMENTS/02-03-06
11	CITY COMMENTS/02-15-06
12	DCSD COMMENTS/09-28-05
13	REVISED PER DEVELOPMENT COMMENTS 11-04-05
14	T2.4.06 REVISED CITY COMMENTS
6	CITY COMMENTS/11-22-05
7	CITY COMMENTS/12-30-05
8	WATER DISTRICT #2 COMMENTS/01-17-06
9	DEVELOPER REVISIONS/01-24-06

PREPARED FOR:
CMB RHODES, L.L.C.
 P.O. Box 511038
 St. Louis, MO 63151-1038
 (314) 487-6717

THE **STERLING** CO.
 ENGINEERS & SURVEYORS
 5005 NEW BALDWIN ROAD
 ST. LOUIS, MISSOURI 63124
 (314) 487-0440 FAX 487-8944
 E-Mail: Sterling@sterling-eng-survey.com

PROJECT: **COUNTRYSHIRE**
 SHEET TITLE: **SANITARY ZONE OF INFLUENCE**

NO	02	12	311
M.S.D.			SHEET
P#			5.9
DATE			OF