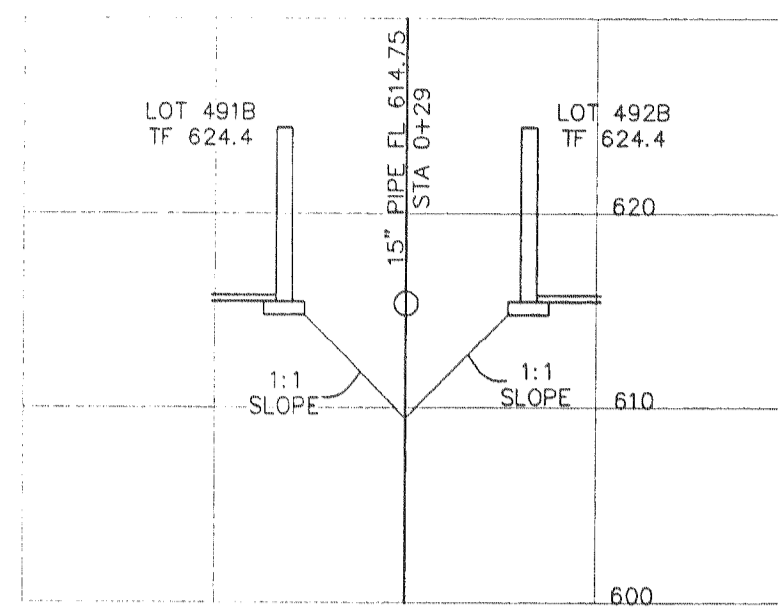


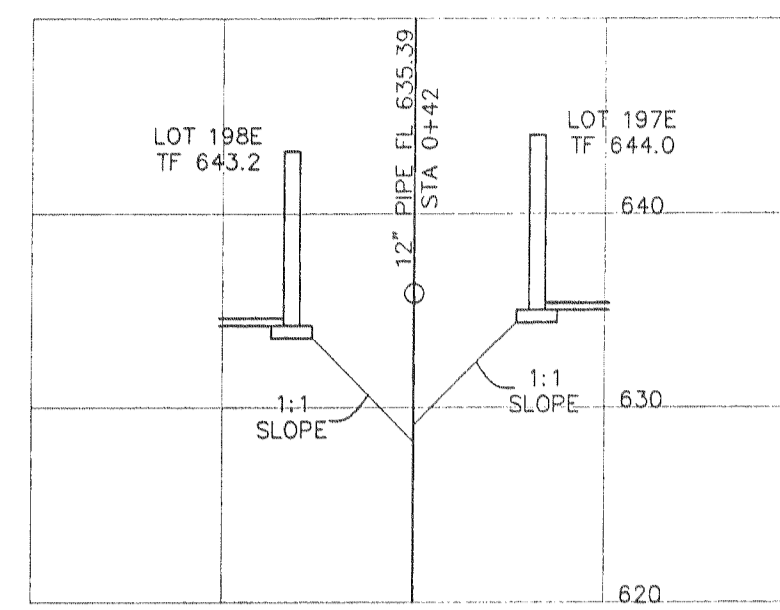
SECTION 473B-472B

SCALE 1"=10' H.
1"=10' V.
STORM LINE A1129-MH130



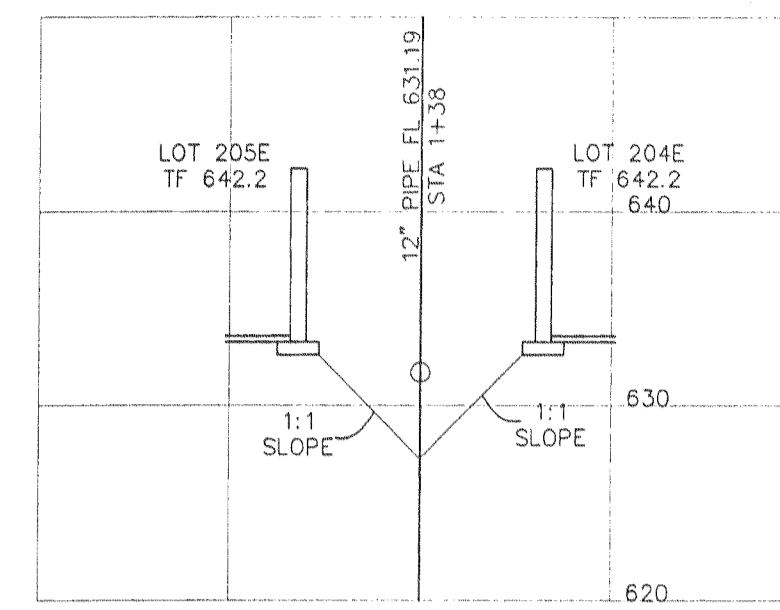
SECTION 491B-492B

SCALE 1"=10' H.
1"=10' V.
STORM LINE C1132-AI133



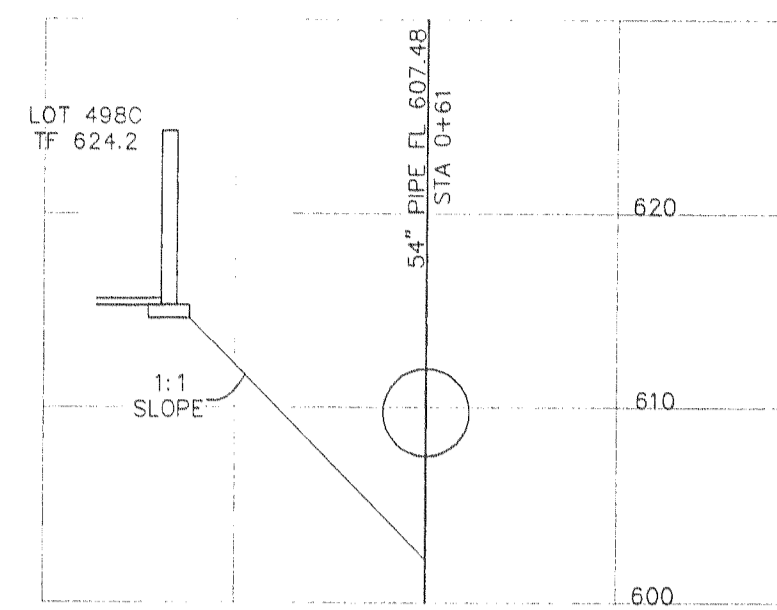
SECTION 198E-197E

SCALE 1"=10' H.
1"=10' V.
STORM LINE A1155-CI156



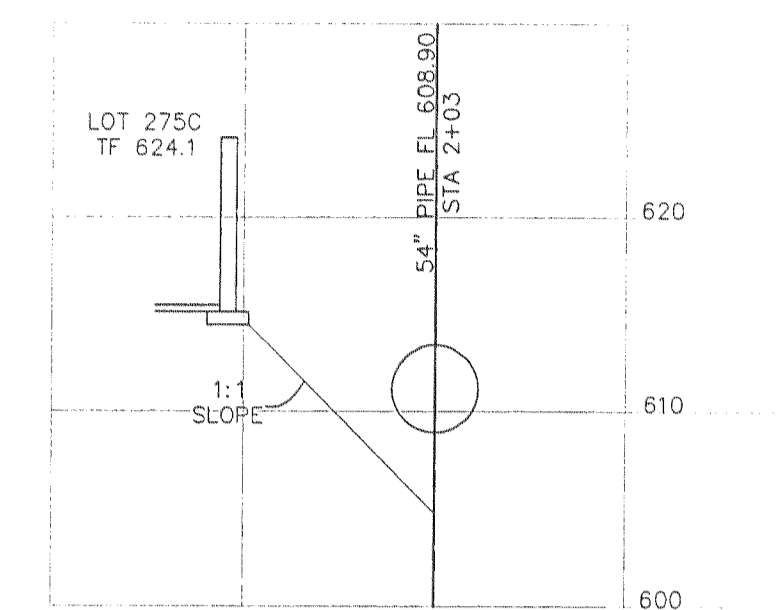
SECTION 205E-204E

SCALE 1"=10' H.
1"=10' V.
STORM LINE A1159-CI162



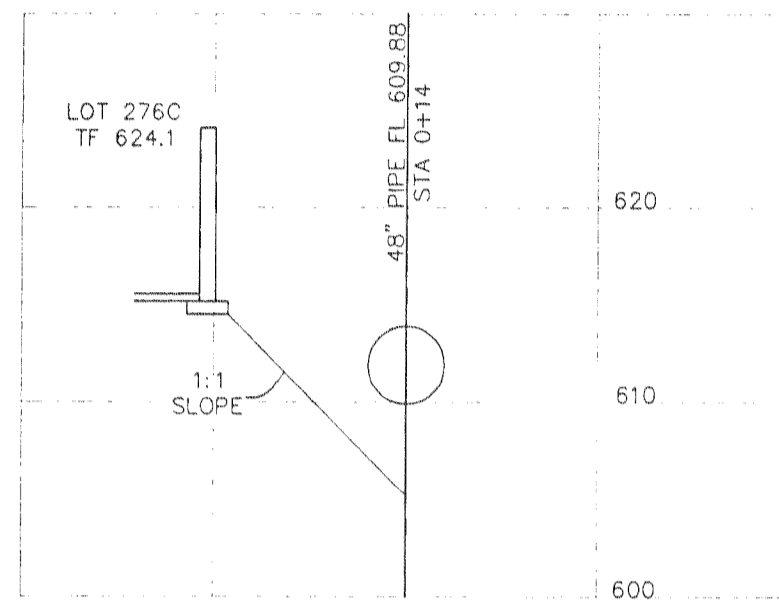
SECTION 498C

SCALE 1"=10' H.
1"=10' V.
STORM LINE MH204-CI205



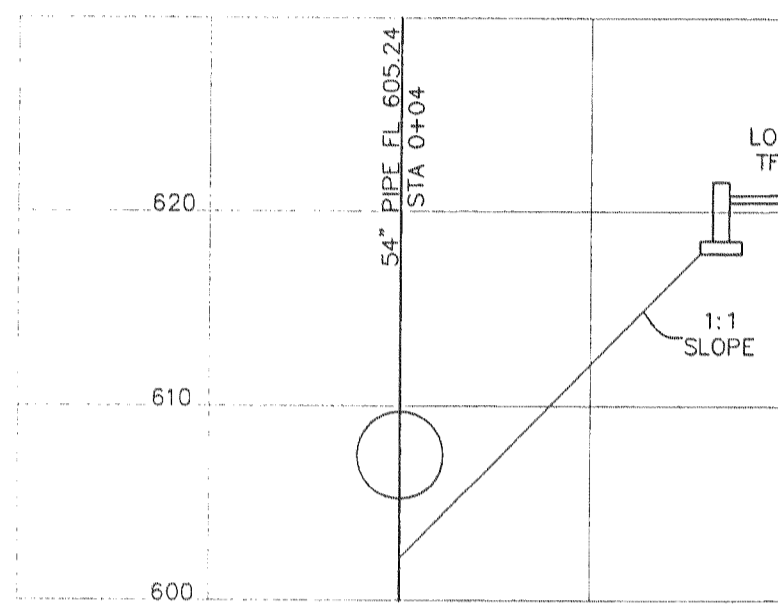
SECTION 275C

SCALE 1"=10' H.
1"=10' V.
STORM LINE MH204-CI205



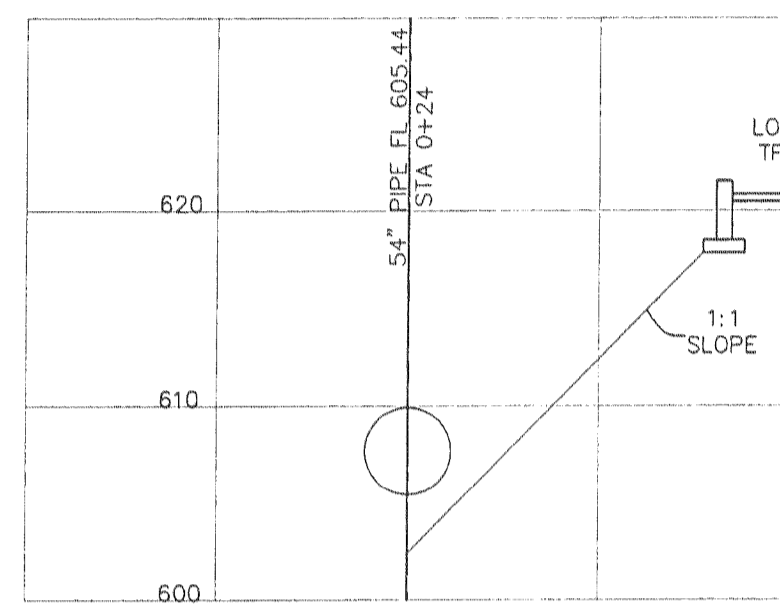
SECTION 276C

SCALE 1"=10' H.
1"=10' V.
STORM LINE CI205-AI206



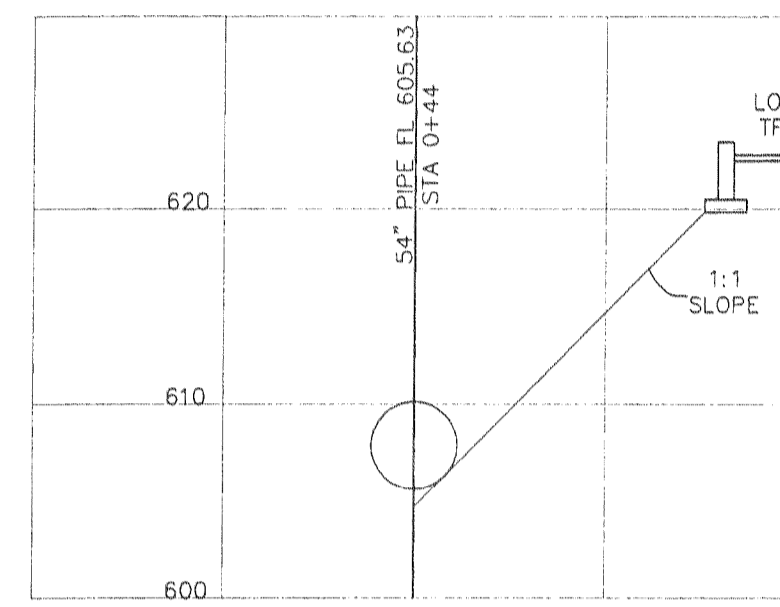
SECTION 456C

SCALE 1"=10' H.
1"=10' V.
STORM LINE MH203-MH204



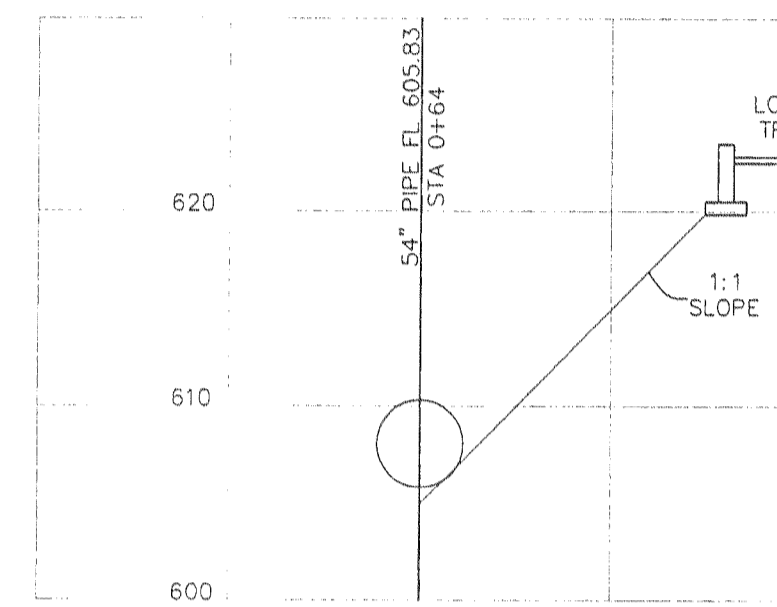
SECTION 457C

SCALE 1"=10' H.
1"=10' V.
STORM LINE MH203-MH204



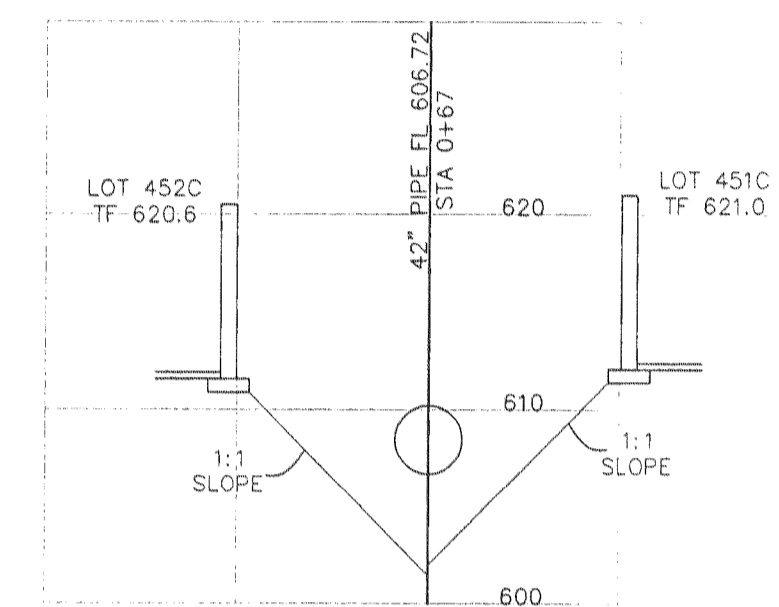
SECTION 458C

SCALE 1"=10' H.
1"=10' V.
STORM LINE MH203-MH204



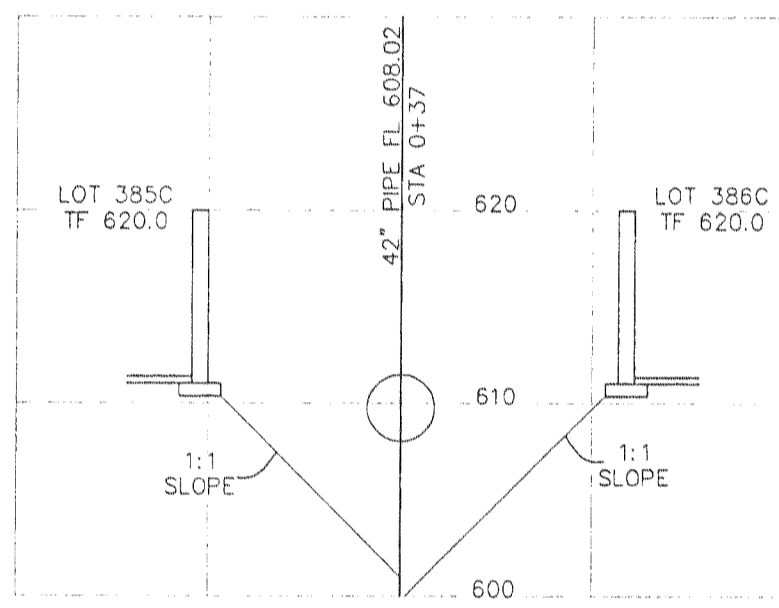
SECTION 459C

SCALE 1"=10' H.
1"=10' V.
STORM LINE MH203-MH204



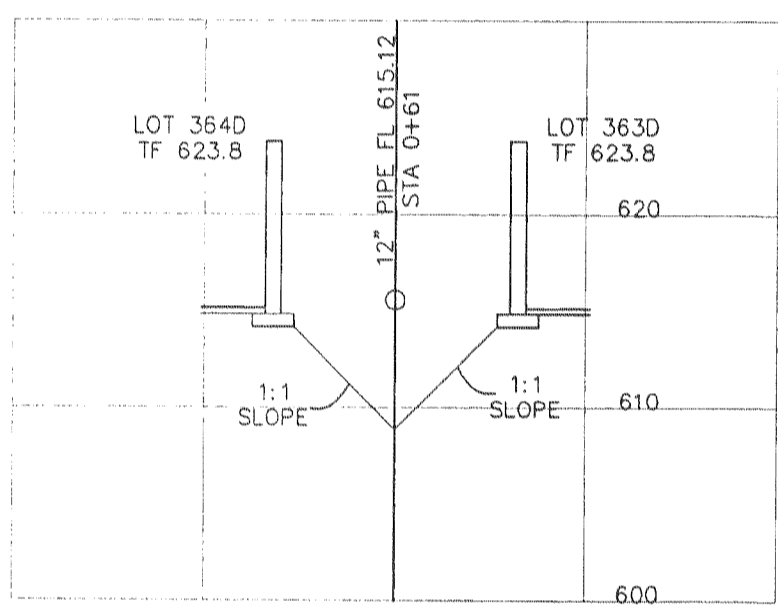
SECTION 452C-451C

SCALE 1"=10' H.
1"=10' V.
STORM LINE CI141-MH142



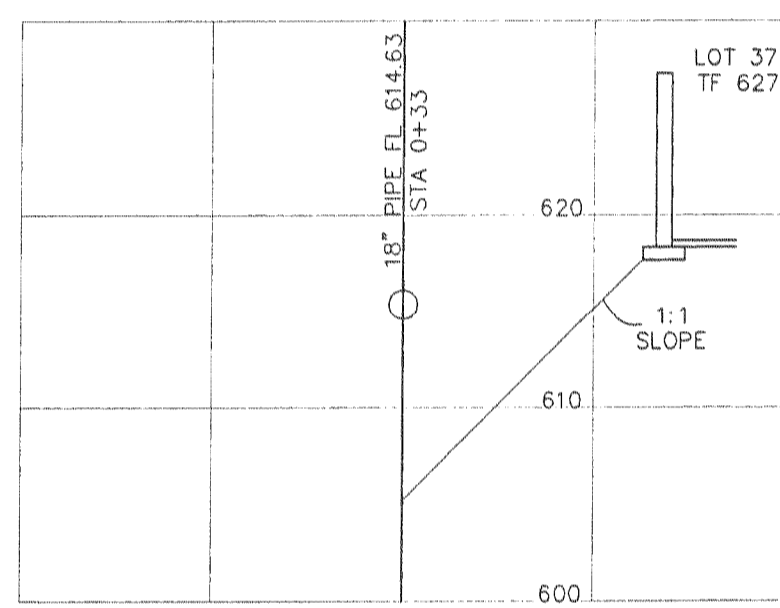
SECTION 385C-386C

SCALE 1"=10' H.
1"=10' V.
STORM LINE CI144-AI145



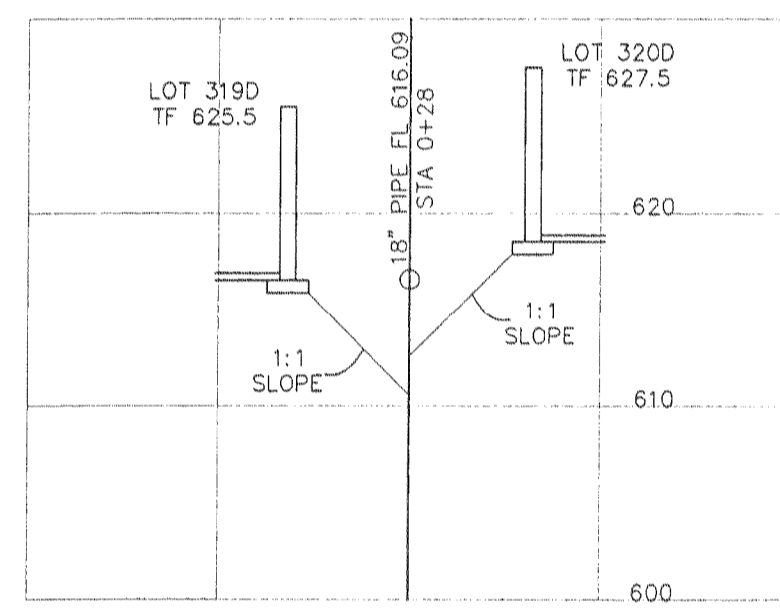
SECTION 364D-363D

SCALE 1"=10' H.
1"=10' V.
STORM LINE A1165-CI167



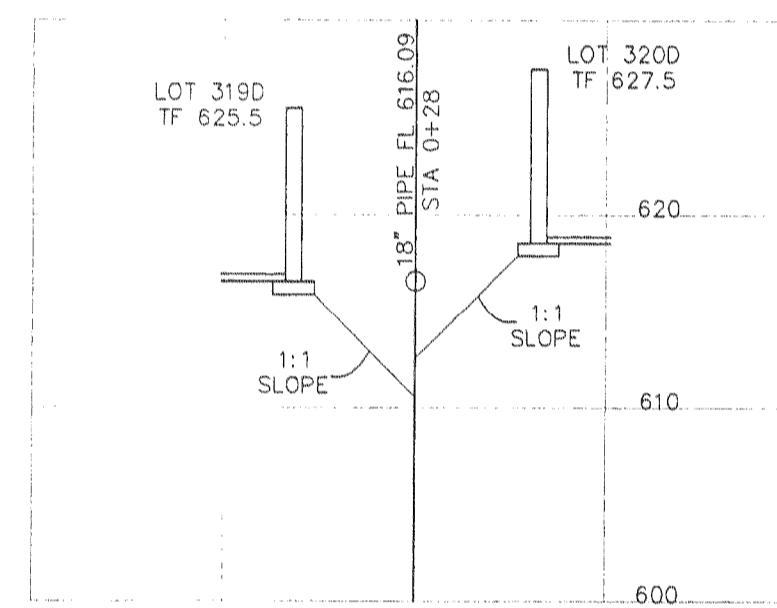
SECTION 371D

SCALE 1"=10' H.
1"=10' V.
STORM LINE MH168-MH169



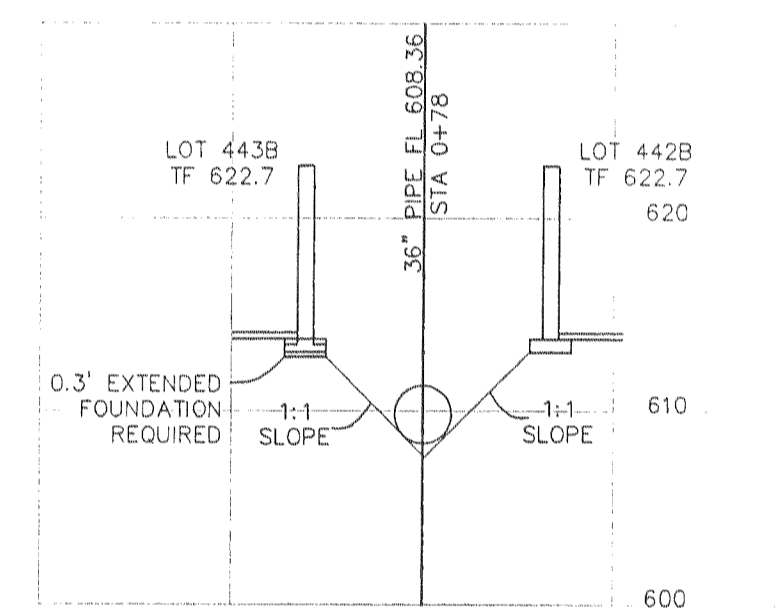
SECTION 319D-320D

SCALE 1"=10' H.
1"=10' V.
STORM LINE CI170-AI171



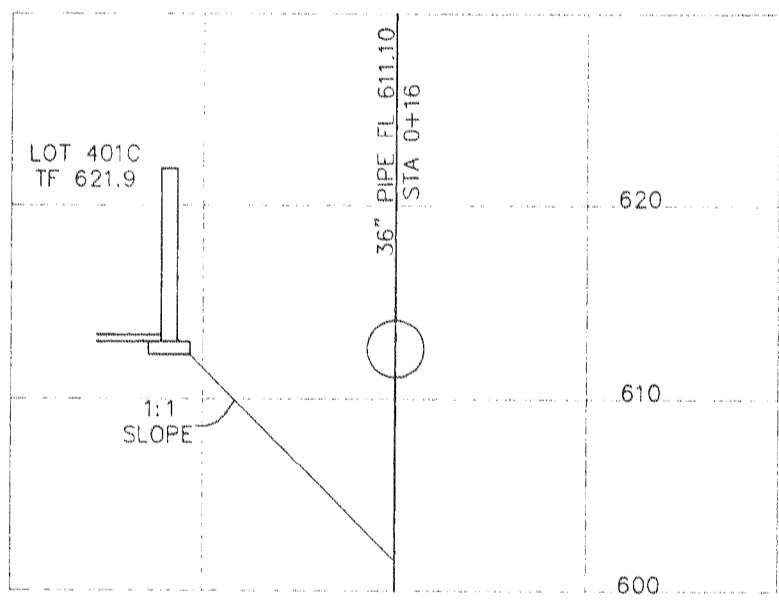
SECTION 319D-320D

SCALE 1"=10' H.
1"=10' V.
STORM LINE CI170-AI171



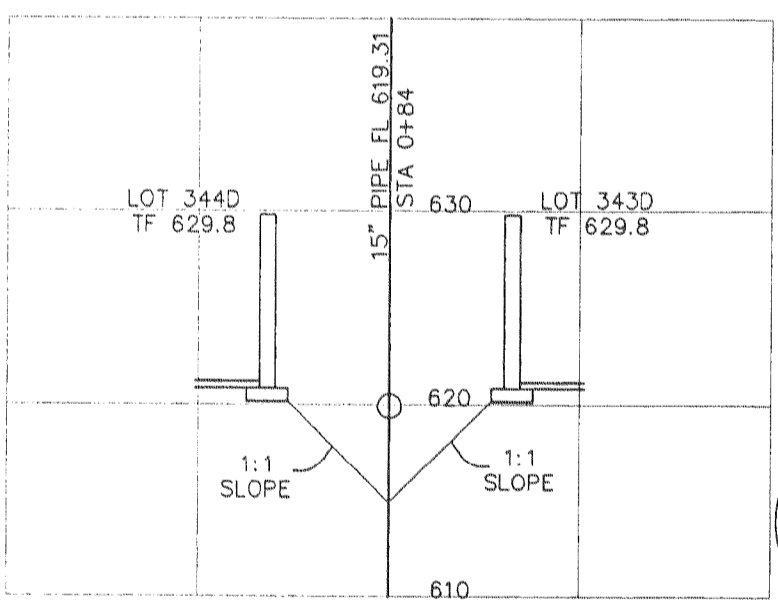
SECTION 443B-442B

SCALE 1"=10' H.
1"=10' V.
STORM LINE FE179-CI180



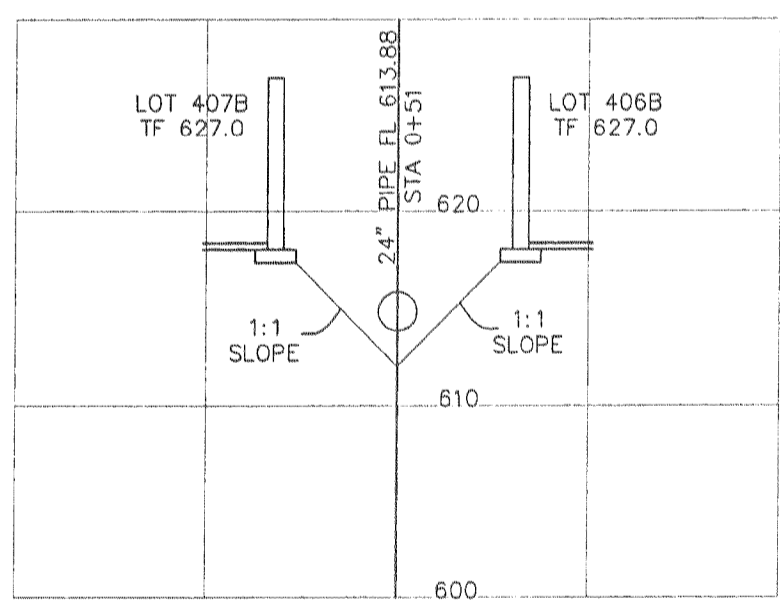
SECTION 401C

SCALE 1"=10' H.
1"=10' V.
STORM LINE MH182-CI183



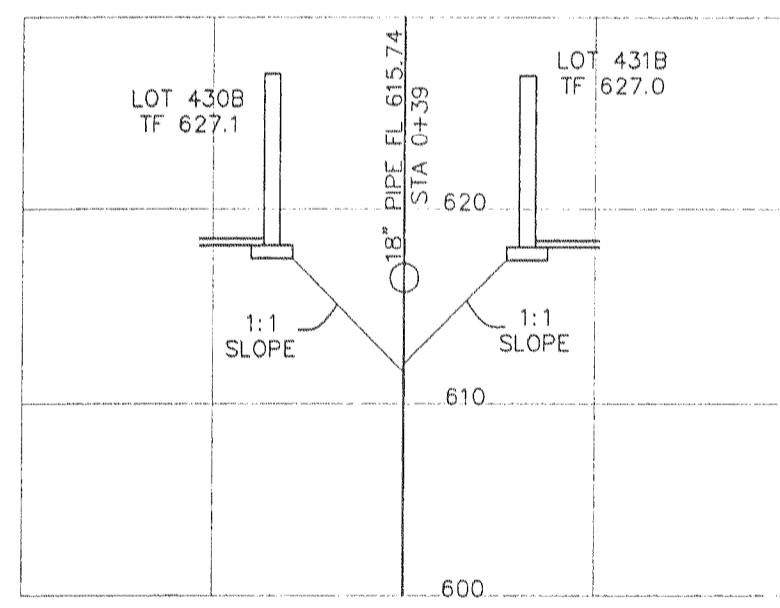
SECTION 344D-343D

SCALE 1"=10' H.
1"=10' V.
STORM LINE A1194-CI195



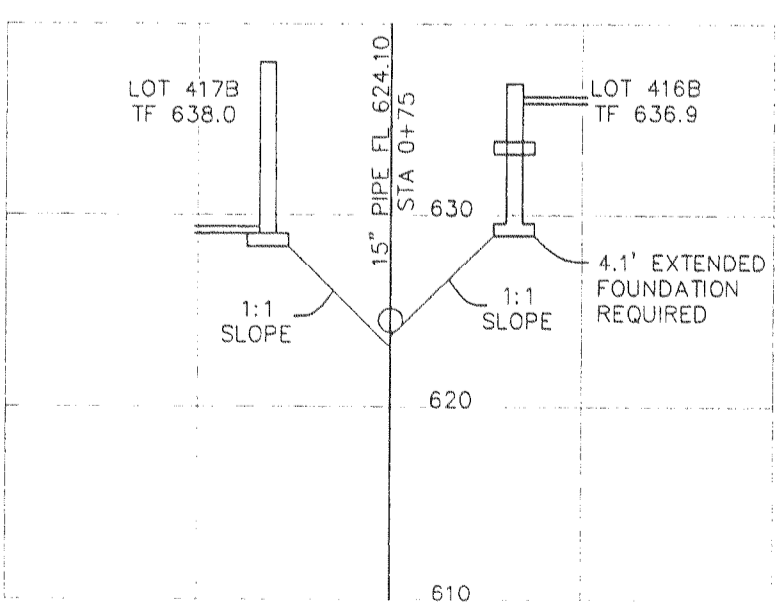
SECTION 407B-406B

SCALE 1"=10' H.
1"=10' V.
STORM LINE A1189-CI190



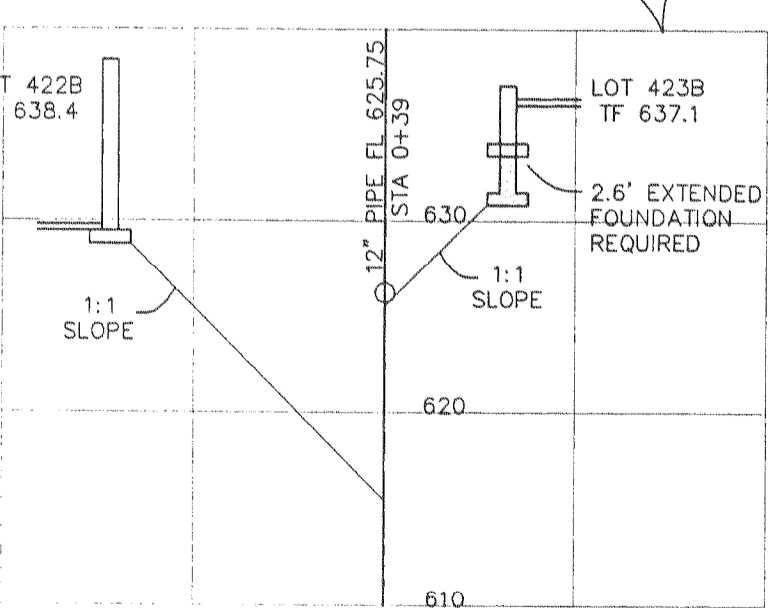
SECTION 430B-431B

SCALE 1"=10' H.
1"=10' V.
STORM LINE CI191-AI192



SECTION 417B-416B

SCALE 1"=10' H.
1"=10' V.
STORM LINE A1185-CI186



SECTION 422B-423B

SCALE 1"=10' H.
1"=10' V.
STORM LINE CI187-AI188

Drawing name: K:\0212311_RHODES TRACT\DWG\IMPROVEMENTS\2311Storm.dwg Plotted on: Dec 04, 2006 - 7:20am Plotted by: jarnold

ISSUE	REMARKS/DATE
10	CITY COMMENTS/02-03-06
11	CITY COMMENTS/02-15-06
12	DCSD COMMENTS/09-29-05
13	REVISED PER DEVELOPMENT COMMENTS 11-04-06
14	12-4-06 REVISED CITY COMMENTS
6	CITY COMMENTS/11-22-05
7	CITY COMMENTS/12-30-05
8	WATER DISTRICT #2 COMMENTS/01-17-06
9	DEVELOPER REVISIONS/03-25-06

PREPARED BY: **THE STERLING CO.** ENGINEERS & SURVEYORS
 5055 NEW BALMGARTNER ROAD
 ST. LOUIS, MISSOURI 63129
 (314) 487-0440 FAX 487-8944
 E-Mail: Sterling@sterling-eng-survey.com

PREPARED FOR: **CMB RHODES, L.L.C.**
 P.O. Box 511038
 St. Louis, MO 63151-1038
 (314) 487-6717

PROJECT:	COUNTRYSHIRE	
DRAWN:	DESIGNED:	CHECKED:
NO.	02	12
M.S.D.	SHEET	
P#	6.8	
DATE:	06	
SCALE:	OF	