

IRRIGATION NOTES

- ADJUST HEADS TO AVOID OVERSPRAY ON SIDEWALKS, PAVING, ETC. DO NOT ALLOW HEADS TO SPRAY SIDES OF BLDG.
- SLEEVING BY OTHERS
- CONTROLLER TO BE LOCATED IN UTILITY ROOM. SPECIFIC LOCATION OF CONTROLLER TO BE APPROVED BY OWNER. 1 1/2" SLEEVE FROM UTILITY ROOM HAS BEEN PROVIDED BY OTHERS FOR CONTROL WIRES.
- METER AND 1 1/2" BACKFLOW PREVENTER PROVIDED BY OTHERS. VERIFY THEIR LOCATION WITH GENERAL CONTRACTOR & BUILDING PLUMBING AND MECHANICAL PLANS. POINT OF CONNECTION FOR IRRIGATION CONTRACTOR IS STUB-OUT 5' OUTSIDE BUILDING, UNLESS OTHERWISE NOTED.
- ALL ELECTRICAL SERVICE SHALL BE INSTALLED AS PER LOCAL CODES.
- LATERAL LINES ARE CLASS 200 PVC PIPE. SEE PLAN FOR SIZES.
- MAIN SERVICE LINE IS CLASS 200 PVC PIPE. SEE PLAN FOR SIZES.
- ALL ZONE WIRES SHALL BE DIRECT BURIAL, UL APPROVED UP TO 600 VOLTS, SINGLE CONDUCTOR OR SOLID COPPER WIRE WITH PVC INSULATION.
 - A. #16 WIRE FOR POWER SIDE.
 - B. #14 WIRE FOR COMMON SIDE.
- AMETEK VALVE BOXES, MODEL NO. 6-182002 WITH LIDS, MODEL NO. 6-182002. ARE TO BE USED FOR ALL STATION/ZONE VALVES.

- COMMON TRENCHES SHALL BE USED WHERE POSSIBLE. IRRIGATION CONTRACTOR MAY COORDINATE WITH GENERAL CONTRACTOR TO INSTALL IRRIGATION PIPING BEFORE TOPSOIL IS PLACED.
- PROVIDE A MINIMUM OF 12" OF COVER OVER LATERAL PIPING. PROVIDE A MINIMUM OF 18" OF COVER OVER MAINLINE PIPING.
- WHERE POSSIBLE MOUNT HEADS ON POLYPIPE WITH BARBED ELBOWS.
- MOUNT RAIN SENSOR ON EDGE OF PARAPET ROOF.
- RAIN CHECKS OR OTHER SPECIFIED MOISTURE SENSORS SHALL BE ADJUSTED FOR LOCAL CLIMATIC CONDITIONS BY THE CONTRACTOR.
- THE CONTRACTOR SHALL FLUSH ALL LINES.
- THE CONTRACTOR IS RESPONSIBLE FOR WINTERIZING THE SYSTEM THE FIRST YEAR OF INSTALLATION. DURING THE WINTERIZATION OF THE SYSTEM, THE CONTRACTOR WILL SHOW THE OWNER'S DESIGNATED REPRESENTATIVE THE PROPER PROCEDURES FOR WINTERIZING THE SYSTEM. THE CONTRACTOR IS ALSO RESPONSIBLE FOR RESTARTING THE SYSTEM IN THE SPRING OF THE FOLLOWING YEAR.
- THE OWNER'S REPRESENTATIVE IS TO VERIFY PROPER ADJUSTMENT OF THE SYSTEM BEFORE FINAL PAYMENT.
- PIPE ROUTING IS DIAGRAMMATIC ONLY.
- SYSTEM IS DESIGNED TO OPERATE AT 30 GPM AT 40-75 PSI.
- EXISTING WATER PRESSURE IS REPORTED AS 100.

GENERAL NOTES:

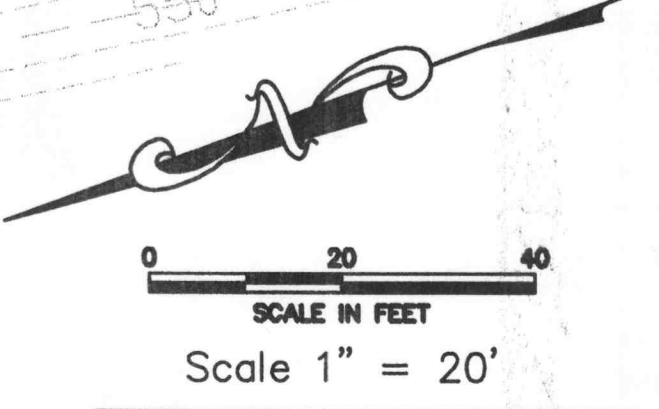
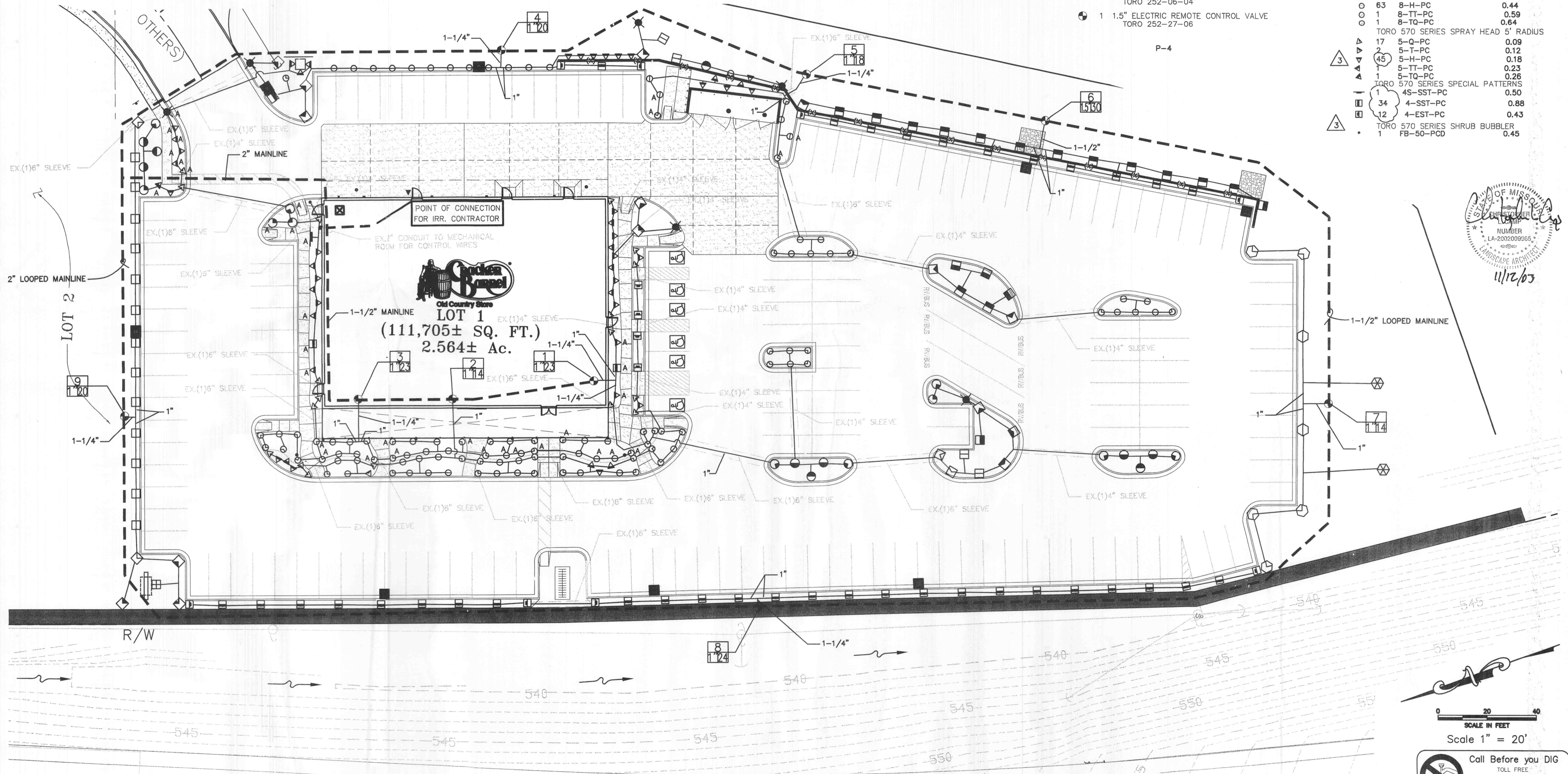
- UNDERGROUND UTILITIES:
 - A. UNDERGROUND UTILITIES HAVE NOT BEEN VERIFIED BY THE OWNER, LANDSCAPE ARCHITECT, OR THEIR REPRESENTATIVES. BEFORE YOU DIG CALL MISSOURI ONE CALL--1-800-344-7483.
 - B. THE CONTRACTOR SHALL DETERMINE THE EXACT LOCATION OF ALL EXISTING UTILITIES BEFORE COMMENCING WORK AND AGREES TO BE RESPONSIBLE FOR ANY AND ALL DAMAGES WHICH MIGHT RESULT FROM THE CONTRACTOR'S FAILURE TO EXACTLY LOCATE AND PRESERVE ANY UNDERGROUND UTILITIES TO REMAIN.
- THE CONTRACTOR SHALL VERIFY EXISTING CONDITIONS TO INSURE THAT THE NEW WORK SHALL FIT INTO THE EXISTING SITE IN THE MANNER INTENDED AND AS SHOWN ON THE DRAWINGS. SHOULD ANY CONDITIONS EXIST THAT ARE CONTRARY TO THOSE ON THE DRAWINGS, THE CONTRACTOR SHALL NOTIFY THE OWNER'S REPRESENTATIVE PRIOR TO PERFORMING ANY WORK IN THE AREA INVOLVING DIFFERENCES. NOTIFICATION SHALL BE IN THE FORM OF A DRAWING OR SKETCH INDICATING FIELD MEASUREMENTS AND NOTES RELATING TO THE AREA.
- THE IRRIGATION CONTRACTOR IS RESPONSIBLE FOR PROCURING ALL NECESSARY PERMITS TO COMPLETE INSTALLATION OF THE IRRIGATION SYSTEM.
- ALL WORK IS TO MEET ALL STATE AND LOCAL CODES.
- CONTRACTOR IS TO VERIFY ALL QUANTITIES SHOWN ON PLAN AND IN LIST. IF DISCREPANCIES OCCUR, CONTRACTOR IS TO CONTACT LANDSCAPE ARCHITECT IMMEDIATELY. QUANTITIES SHOWN ON PLAN TAKE PRECEDENCE.

IRRIGATION LEGEND

- CLASS 200 MAINLINE 1 1/2" UNLESS OTHERWISE NOTED
- CLASS 200 LATERAL LINE 1" UNLESS OTHERWISE NOTED
- EX. SCH. 40 SLEEVE SIZE AS NOTED
- ZONE
- GPM
- VALVE SIZE
- ALL SPRAYHEADS TO BE 6" POP-UP UNLESS OTHERWISE NOTED. (34) (A) = 12" POP-UP
- TORO VISION II 9-STATION CONTROLLER 189-96-12
- TORO RAIN CHECK
- 1" ELECTRIC REMOTE CONTROL VALVE TORO 252-06-04
- 1.5" ELECTRIC REMOTE CONTROL VALVE TORO 252-27-06

IRRIGATION LIST
CRACKER BARREL
O'FALLON, MS
LA#03082

KEY	QTY	ITEM	GPM	
○	3	HUNTER PGM-06-Q	0.5	.5 NOZZLE
○	2	HUNTER PGM-06-H	1.0	1.0 NOZZLE
○	2	HUNTER PGM-06-TQ	2.0	2.0 NOZZLE
○	2	HUNTER PGM-06-F	3.0	3.0 NOZZLE
△	12	TORO 570 SERIES SPRAY HEAD 15' RADIUS		
△	3	15-Q-PC	0.75	
△	20	15-H-PC	1.00	
△	6	V-15-PC	1.33	
△	1	TORO 570 SERIES SPRAY HEAD 12' RADIUS		
△	1	12-Q-PC	0.48	
△	1	12-T-PC	0.64	
△	17	12-H-PC	0.96	
△	2	12-TQ-PC	1.44	
△	1	12-F-PC	1.92	
△	1	TORO 570 SERIES SPRAY HEAD 10' RADIUS		
△	11	10-Q-PC	0.33	
△	10	10-H-PC	0.66	
△	1	TORO 570 SERIES SPRAY HEAD 8' RADIUS		
△	42	8-Q-PC	0.22	
△	4	8-T-PC	0.29	
△	63	8-H-PC	0.44	
△	1	8-TT-PC	0.59	
△	1	8-TQ-PC	0.64	
△	17	TORO 570 SERIES SPRAY HEAD 5' RADIUS		
△	2	5-Q-PC	0.09	
△	2	5-T-PC	0.12	
△	1	5-H-PC	0.18	
△	1	5-TT-PC	0.23	
△	1	5-TQ-PC	0.26	
△	1	TORO 570 SERIES SPECIAL PATTERNS		
△	1	4S-SST-PC	0.50	
△	34	4-SST-PC	0.88	
△	12	4-EST-PC	0.43	
△	1	TORO 570 SERIES SHRUB BUBBLER		
△	1	FB-50-PCD	0.45	



Call Before you DIG
TOLL FREE
1-800-344-7483
MISSOURI ONE-CALL SYSTEM INC.
MODOT (314) 340-4100

MISSOURI STATE HIGHWAY K

CRACKER BARREL
OLD COUNTRY STORE
HWY 40/64 AND HWY K, NEQ
O'FALLON, MO

Cracker Barrel
Old Country Store, Inc. P.O. Box 787
Hartmann Drive, Lebanon, TN. 37087

LA LOSE & ASSOCIATES, INC.
LANDSCAPE ARCHITECTURE, ARCHITECTURE & PLANNING
1314 5th Ave. North, Suite 200 Nashville, Tennessee 615.242.0040

IRRIGATION PLAN

DATE: PROJECT NO. LA# 03082
REVISIONS
1-22-09
4-16-09
11-6-09

LP-2