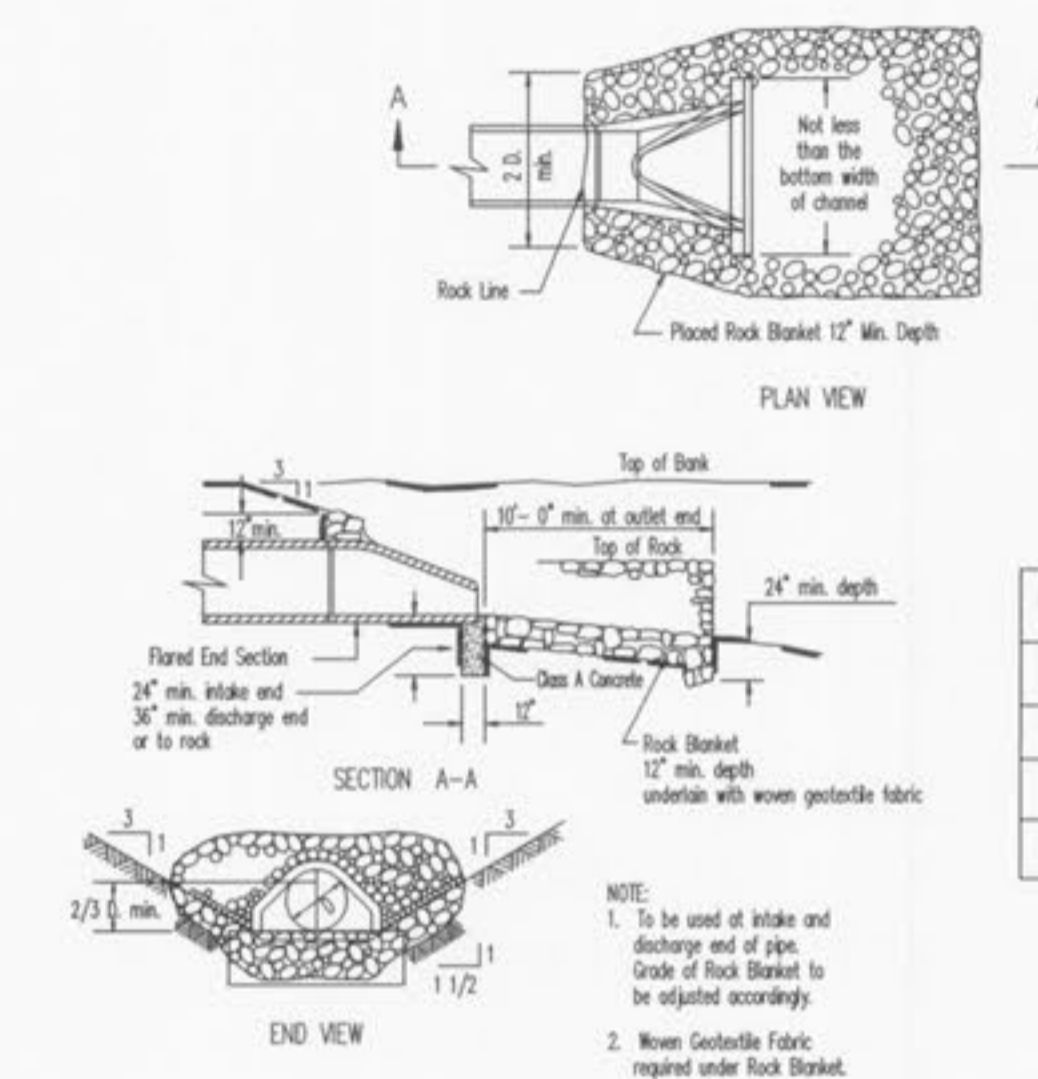


CITY OF O'FALLON
ENGINEERING DEPARTMENT
O'FALLON, MISSOURI

CLASS A UNDERDRAINS



MSD Type 5 Rock Blanket (% By Weight Passing)

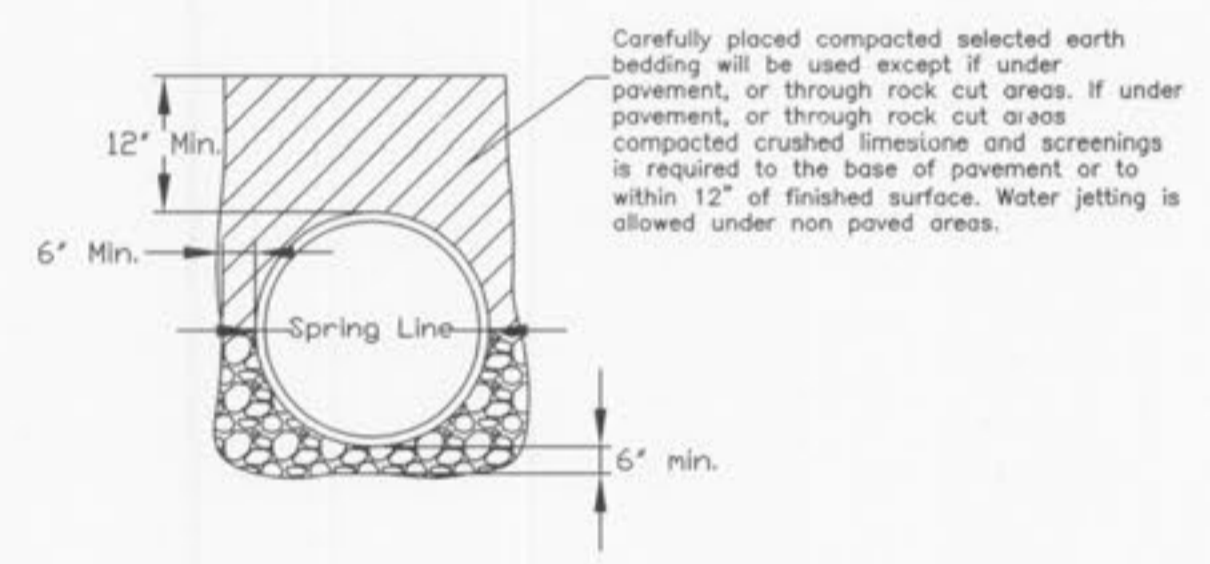
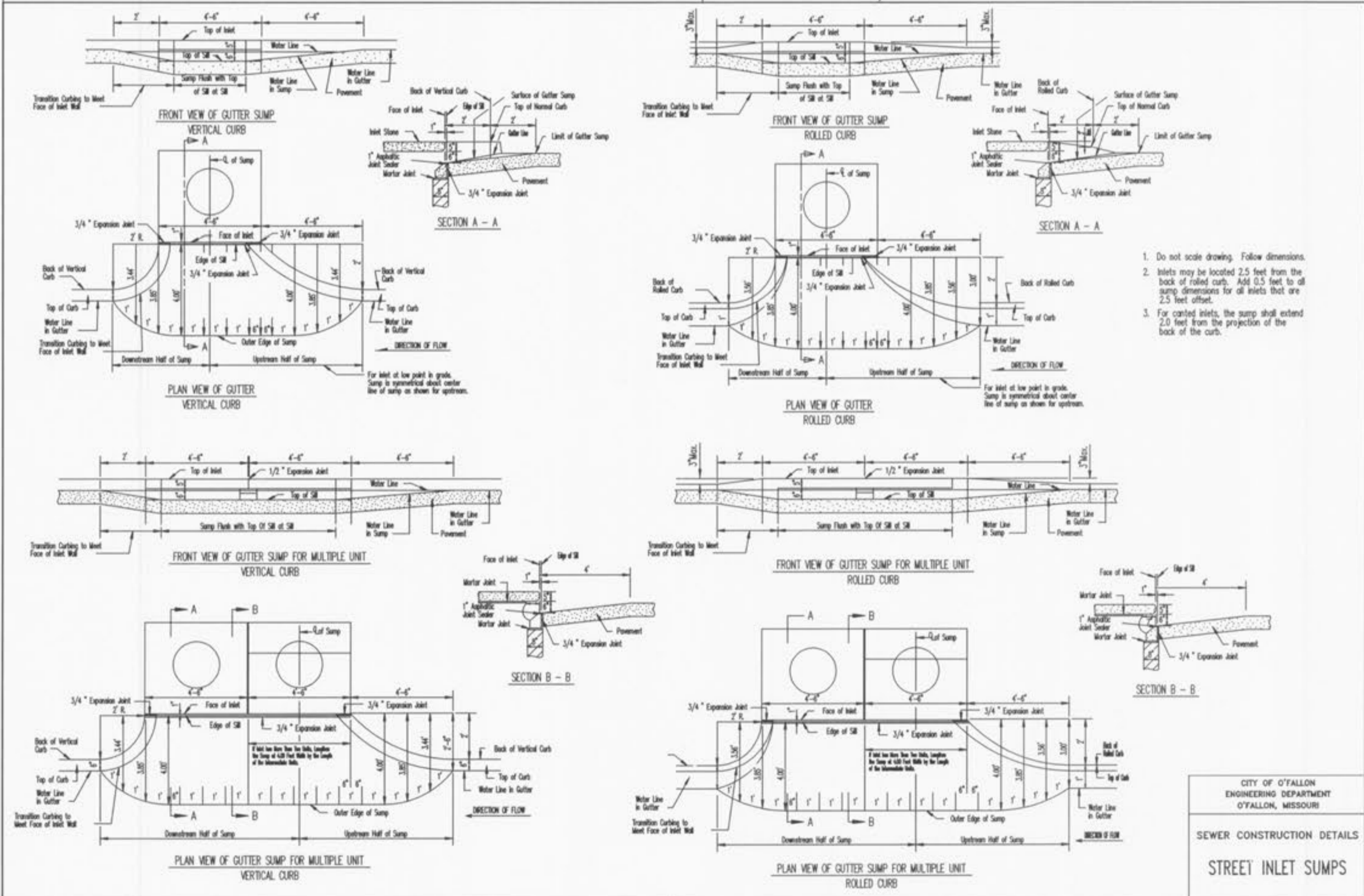
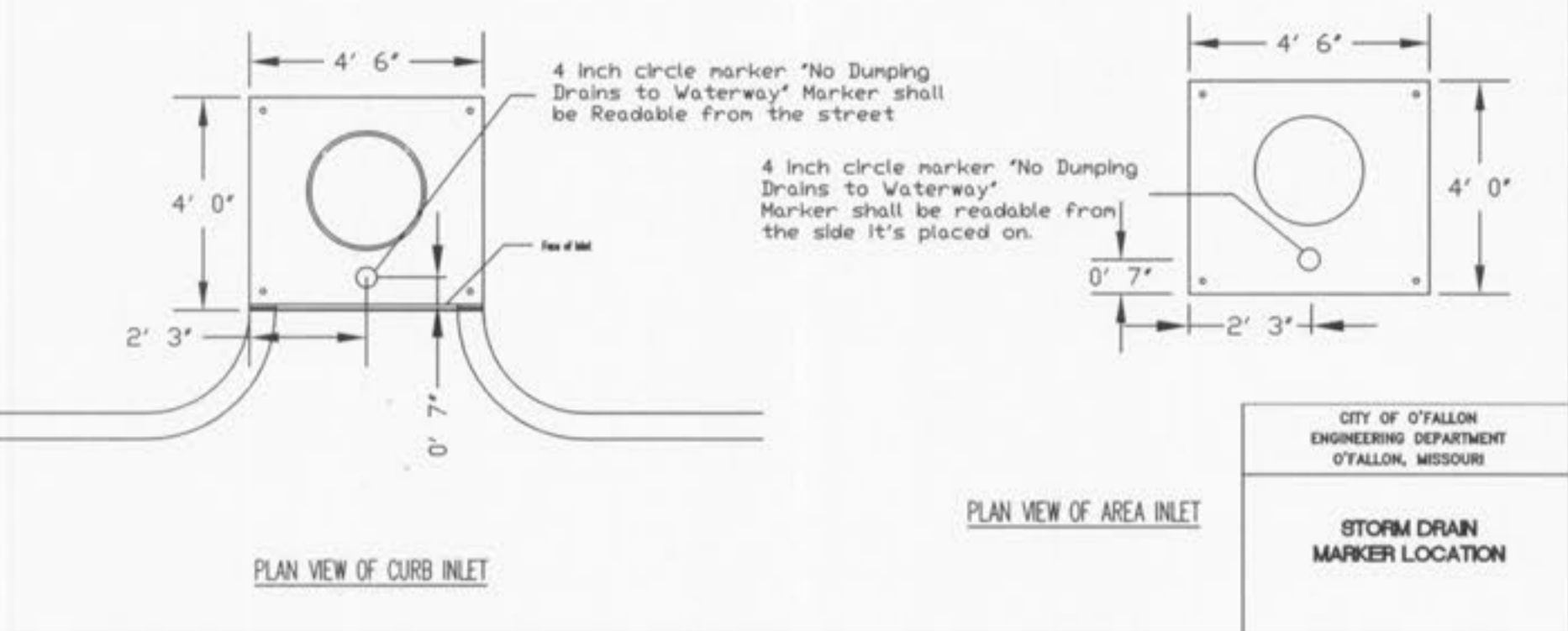
Sieve	Maximum	Minimum
12 inch	90	70
6 inch	30	10
1/2 inch	5	0

CITY OF O'FALLON
ENGINEERING DEPARTMENT
O'FALLON, MISSOURI

**SEWER CONSTRUCTION DETAILS
FLARED END SECTION
(INLET/OUTLET PROTECTION)**

* The City of O'Fallon must be provided with a symbol/medallion for review and approval prior to installation. Contact the City if any information is needed.

Size	Style	Adhesive	Message (Part #)
3 7/8" TO 4"	Crystal Cap or Standard Style	Epoxy	No Dumping Drains to Waterway



* All other Storm or Sanitary Sewer Details will be by M.S.D. 2007 Standards and Specifications.

- △ CITY APPROVAL 02/01/11
- △ CITY COMMENTS 01/26/11
- △ CITY COMMENTS 01/13/11

02/01/11

STATE OF MISSOURI
REGISTERED PROFESSIONAL ENGINEER

GEORGE M. STOCK
E-25116

GEORGE M. STOCK
CIVIL ENGINEER
CERTIFICATE OF AUTHORITY
NUMBER: 000996

THE CROSSING AT RIVERSIDE CENTRE
CITY SEWER DETAILS

STOCK & ASSOCIATES
Consulting Engineers, Inc.

257 Chesterfield Business Parkway
St. Louis, MO 63005
PH. (636) 530-9100
FAX (636) 530-9130
e-mail: general@stockassoc.com
Web: www.stockassoc.com

DATE: 12/21/10
CHECKED BY: G.M.S.
JOB NUMBER: 210-4626
SHEET: C15.1