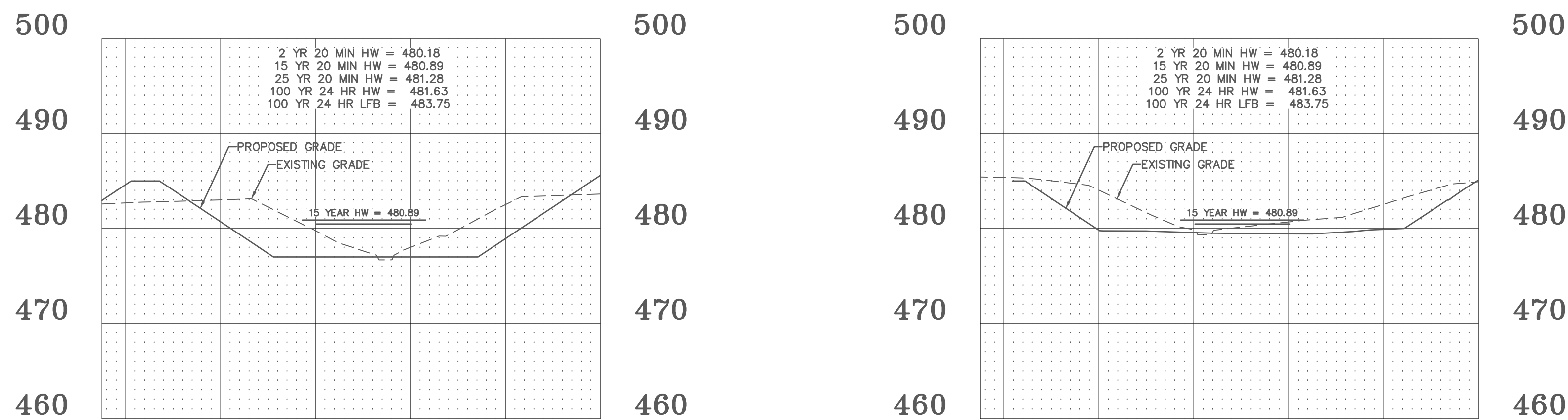


Detention Basin A-A

HORIZONTAL SCALE: 1" = 20'
 VERTICAL SCALE: 1" = 10'

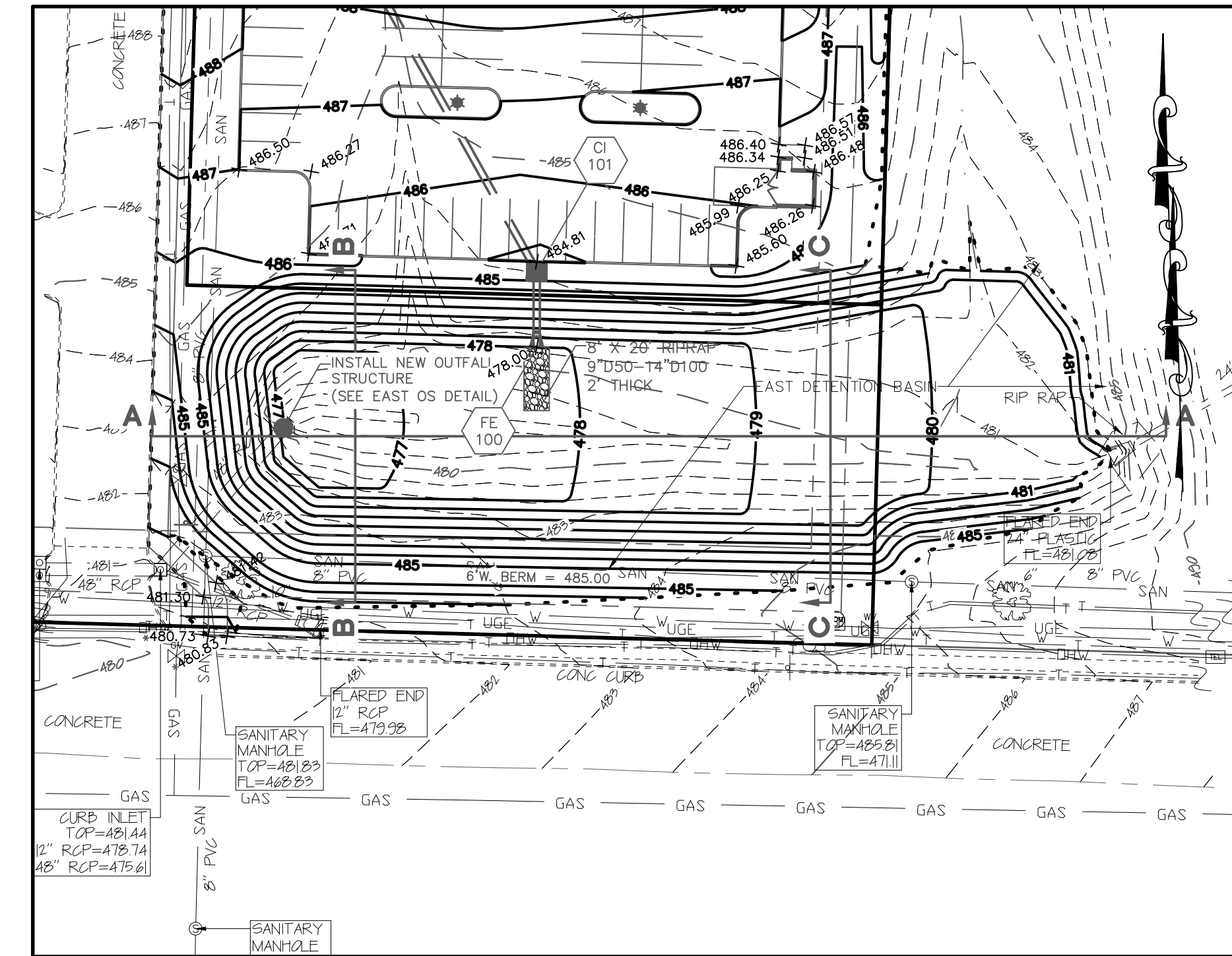


Detention Basin B-B

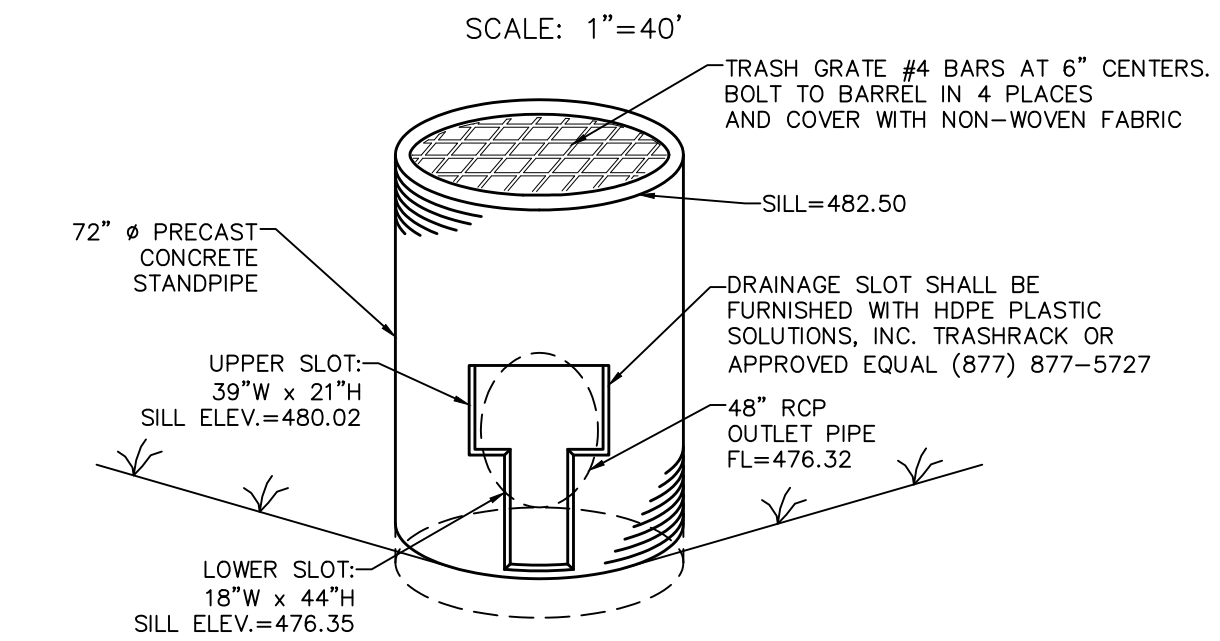
HORIZONTAL SCALE: 1" = 20'
 VERTICAL SCALE: 1" = 10'

Detention Basin C-C

HORIZONTAL SCALE: 1" = 20'
 VERTICAL SCALE: 1" = 10'

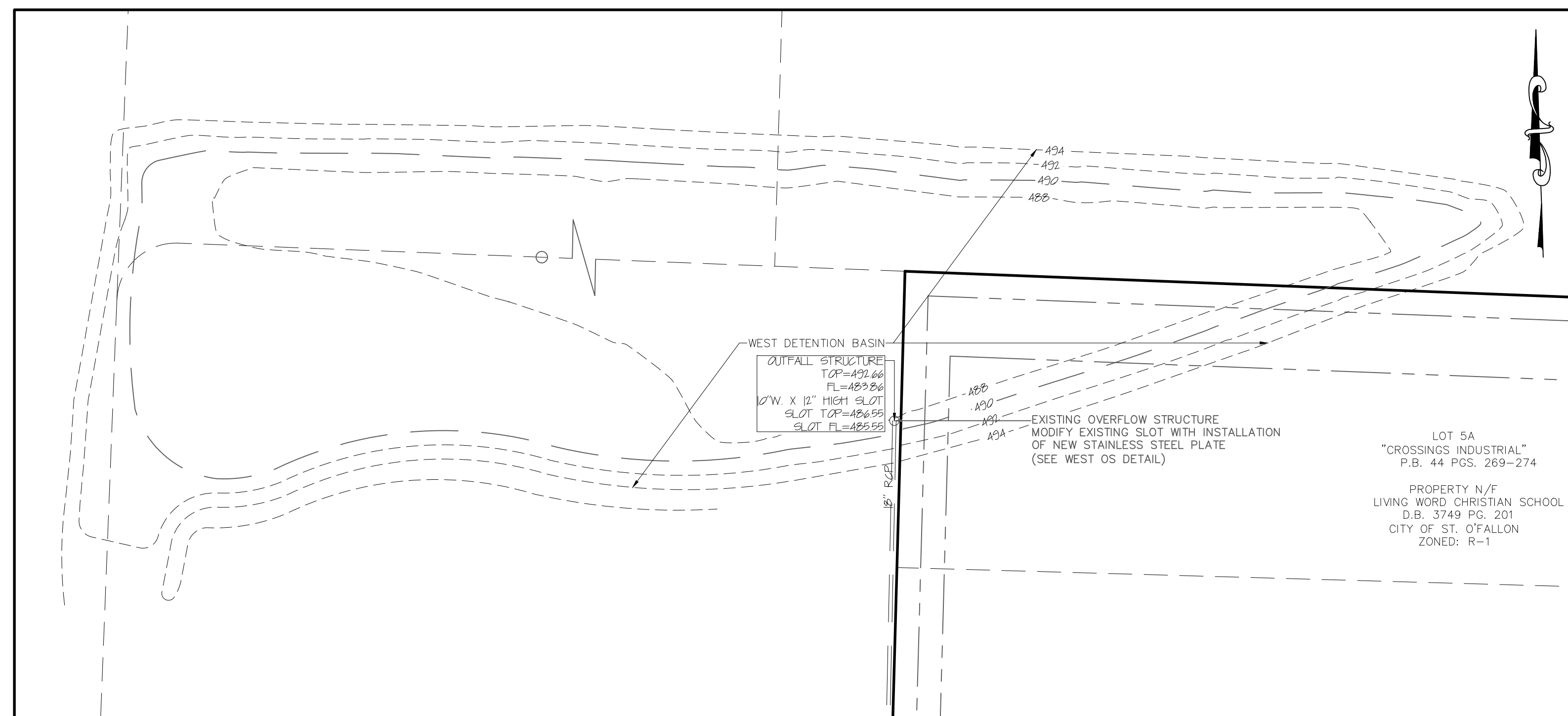


East Detention Basin Detail



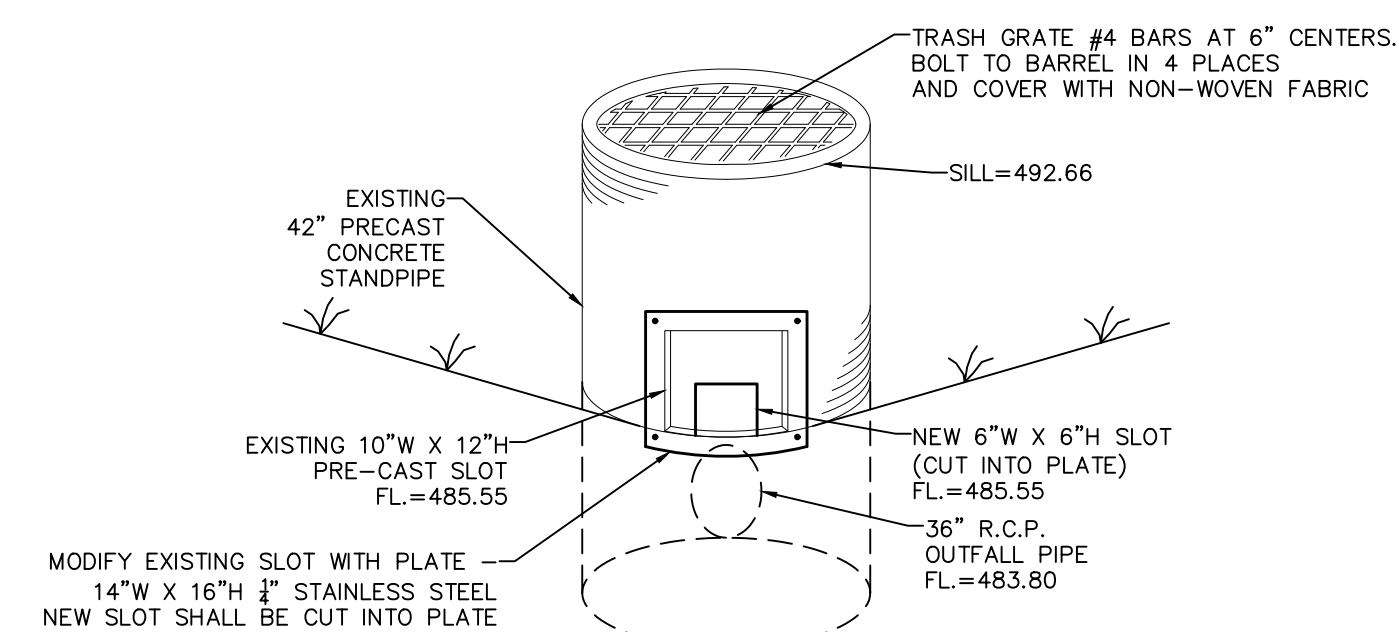
OVERFLOW STRUCTURE DETAIL – EAST BASIN
 NOT TO SCALE

2 YEAR 20 MINUTE HIGHWATER = 480.18
 15 YEAR 20 MINUTE HIGHWATER = 480.89
 25 YEAR 20 MINUTE HIGHWATER = 481.28
 100 YEAR 20 MINUTE HIGHWATER = 481.63
 100 YEAR 20 MINUTE LFB HIGHWATER = 483.75



West Detention Basin Detail

SCALE: 1" = 40'



NOTE: THIS DETAIL DISPLAYS ALTERATIONS TO BE MADE TO THE CONSTRUCTED OVERFLOW STRUCTURE OF WEST BASIN. CONSTRUCTED OVERFLOW STRUCTURE OF WEST BASIN SHALL REMAIN IN PLACE.

EXISTING OVERFLOW STRUCTURE DETAIL – WEST BASIN
 NOT TO SCALE

2 YEAR 20 MINUTE HIGHWATER = 489.04
 15 YEAR 20 MINUTE HIGHWATER = 489.71
 25 YEAR 20 MINUTE HIGHWATER = 490.03
 100 YEAR 20 MINUTE HIGHWATER = 490.33
 100 YEAR 20 MINUTE LFB HIGHWATER = 493.28

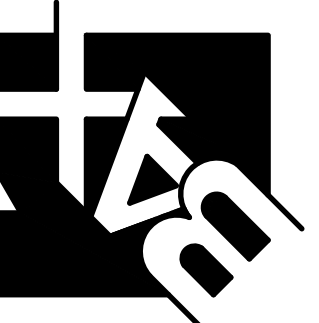


CALL BEFORE YOU DIG!
 1-800-DIG-RITE

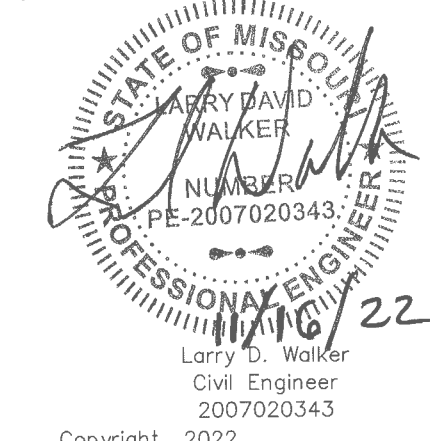
UNDERGROUND UTILITIES HAVE BEEN PLOTTED FROM AVAILABLE INFORMATION AND THEREFORE THEIR LOCATIONS SHALL BE CONSIDERED APPROXIMATE ONLY. THE VERIFICATION OF THE LOCATION OF ALL UNDERGROUND UTILITIES, EITHER SHOWN OR NOT SHOWN ON THESE PLANS SHALL BE THE RESPONSIBILITY OF THE CONTRACTOR, AND SHALL BE LOCATED PRIOR TO ANY GRADING OR CONSTRUCTION OF THE IMPROVEMENTS.

PROJECT TITLE:
 CONSTRUCTION PLANS FOR
 The Crossings Church
 1147 Tom Ginnever Avenue
 O'Fallon, MO 63366

ENGINEERING
PLANNING
SURVEYING
 22 Point View Blvd.
 St. Charles, MO 63301
 636-928-5562
 FAX 928-1718



DISCLAIMER OF RESPONSIBILITY
 I hereby specify that the documents intended to be authorized by my seal are limited to this sheet. Drawings, Specifications, Estimates, Reports or other documents or instruments relating to or intended to be used for any part or parts of the architectural or engineering project or survey.



Larry D. Walker
 Civil Engineer
 2007020343
 Copyright © 2022
 Box Engineering Company, Inc.
 Authority No. 000655
 All Rights Reserved

REVISIONS	
10-18-22	CITY COMMENTS
11-01-22	CITY COMMENTS
11-16-22	SNOUT DETAIL

Developer / Owner:
 The Crossing Church
 1145 Tom Ginnever Avenue
 O'Fallon, MO 63366
 (636) 497-6909

P+Z No. 22-005741
Approved: 07-07-22

City No. #

Page No.