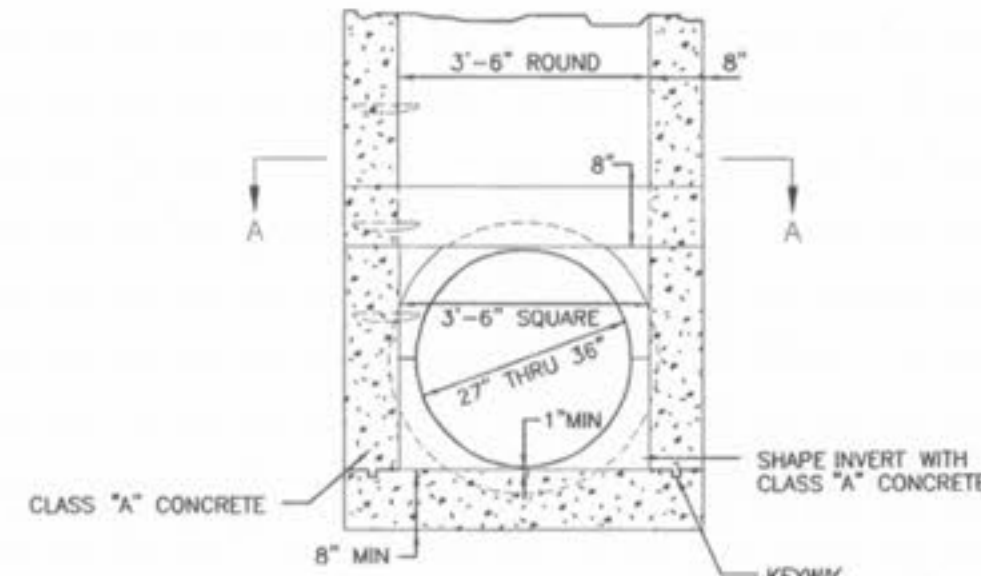


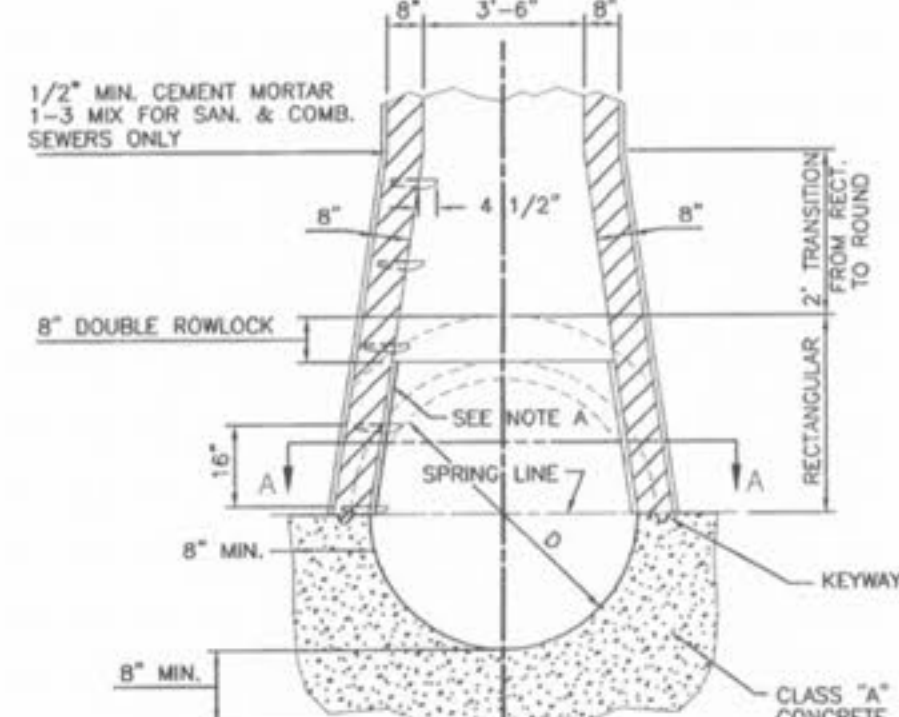
ROUND PIPE				HORIZONTAL ELLIPTICAL PIPE			
Inside Diameter of Pipe (Inches)	"W" Payline Width of Trench (Inches)	"W" Payline Width of Trench (Feet)	Pay-volumes cu. ft. per ft. of Concrete Encasement	Inside Diameter of Pipe (Inches)	"W" Payline Width of Trench (Inches)	"W" Payline Width of Trench (Feet)	Pay-volumes cu. ft. per ft. of Concrete Encasement
4	28	2.33	3.20				
6	28	2.33	3.46				
8	28	2.33	3.70				
10	28	2.33	3.86				
12	28	2.33	3.98				
15	32	2.67	4.89				
18	35	2.92	5.63	14 X 23	41	3.42	5.94
21	39	3.25	6.61				
24	42	3.50	7.39	19 X 30	49	4.08	7.68
27	45	3.75	8.18	22 X 34	53	4.42	8.61
30	49	4.08	9.30	24 X 38	58	4.83	9.70
33	53	4.42	10.53	27 X 42	62	5.17	10.71
36	56	4.67	11.43	29 X 45	66	5.50	11.72
39	DISCONTINUED			32 X 49	71	5.92	13.14
42	63	5.25	13.38	34 X 53	75	6.25	14.05
48	70	5.83	15.67	38 X 60	83	6.92	16.18
54	77	6.42	18.15	43 X 68	92	7.67	18.81
60	84	7.00	20.73	48 X 76	101	8.42	21.59
66	91	7.58	23.45	53 X 83	109	9.08	24.35
72	98	8.17	26.37	58 X 91	118	9.83	27.45
78	105	8.75	29.39	63 X 98	126	10.50	30.50
84	112	9.33	32.57	68 X 106	135	11.25	33.91
90	119	9.92	35.90	72 X 113	143	11.92	36.99
96	126	10.50	39.37	77 X 121	152	12.67	40.69
102	133	11.08	42.99	82 X 128	160	13.33	44.45
108	140	11.67	46.75	87 X 136	168	14.00	47.79
114	147	12.25	50.66	92 X 143	176	14.67	51.70
120	154	12.83	54.72	97 X 151	185	15.42	56.01
126	161	13.42	58.92				
132	168	14.00	63.27	106 X 166	202	16.83	64.48
144	182	15.17	72.40	116 X 180	218	18.17	73.59

TABLE NO. 1
PAYLINE WIDTHS OF TRENCH AND
PAY-QUANTITIES OF CONCRETE



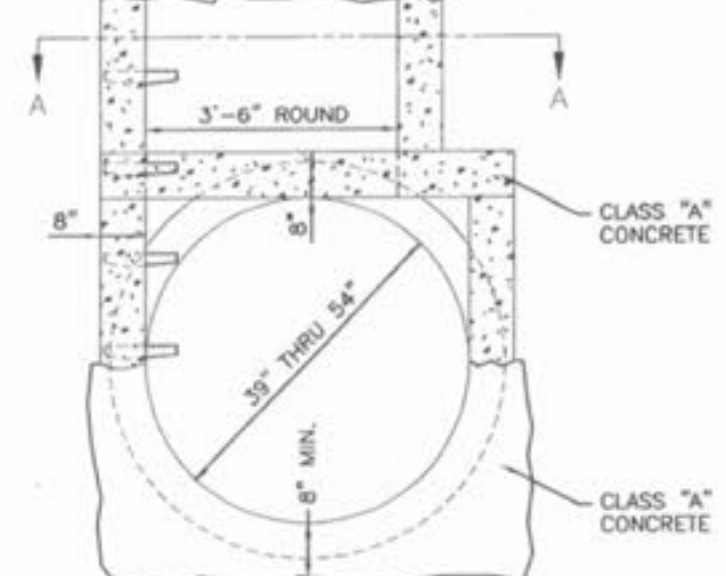
SECTION A-A

MANHOLE ON PIPE SEWER
27" THRU 36" (ALTERNATE)



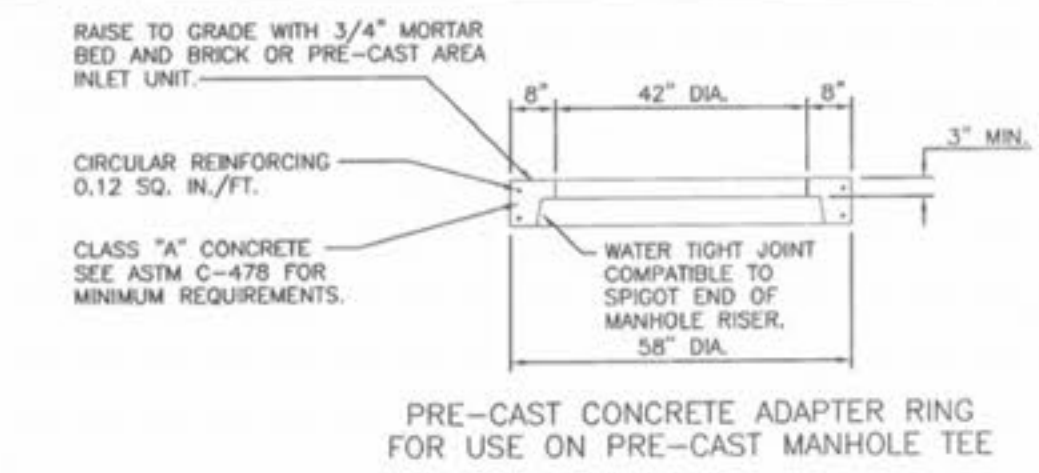
SECTION A-A

MANHOLE ON CONCRETE
PIPE SEWERS 39"
THRU 54" DIAMETER

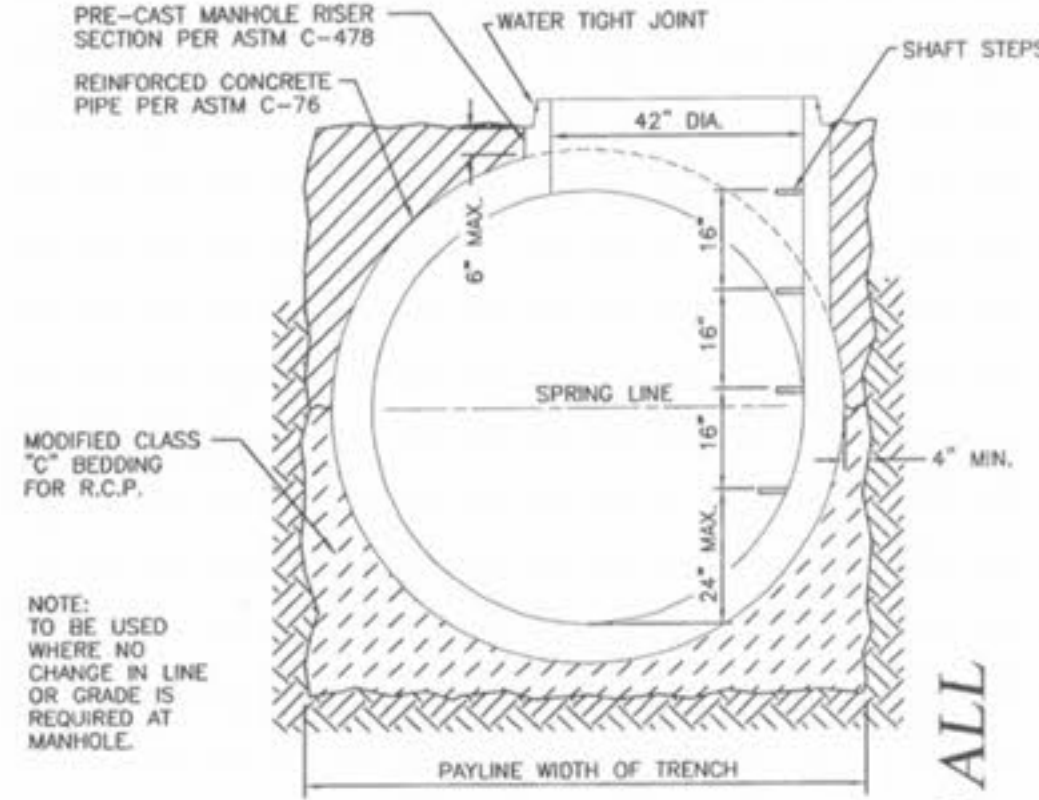


SECTION A-A

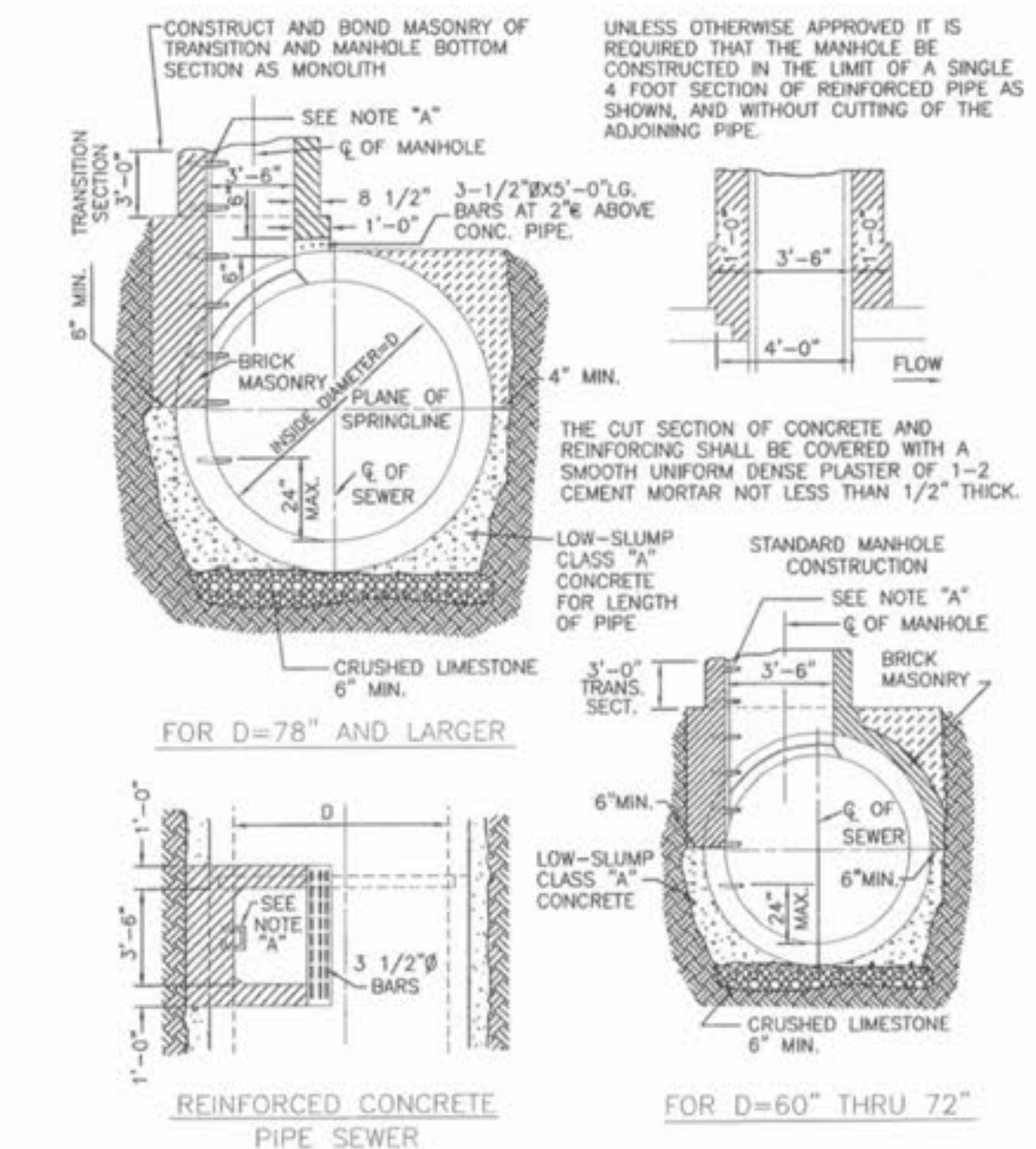
MANHOLE ON CONCRETE PIPE
39" THRU 54"
(ALTERNATE)



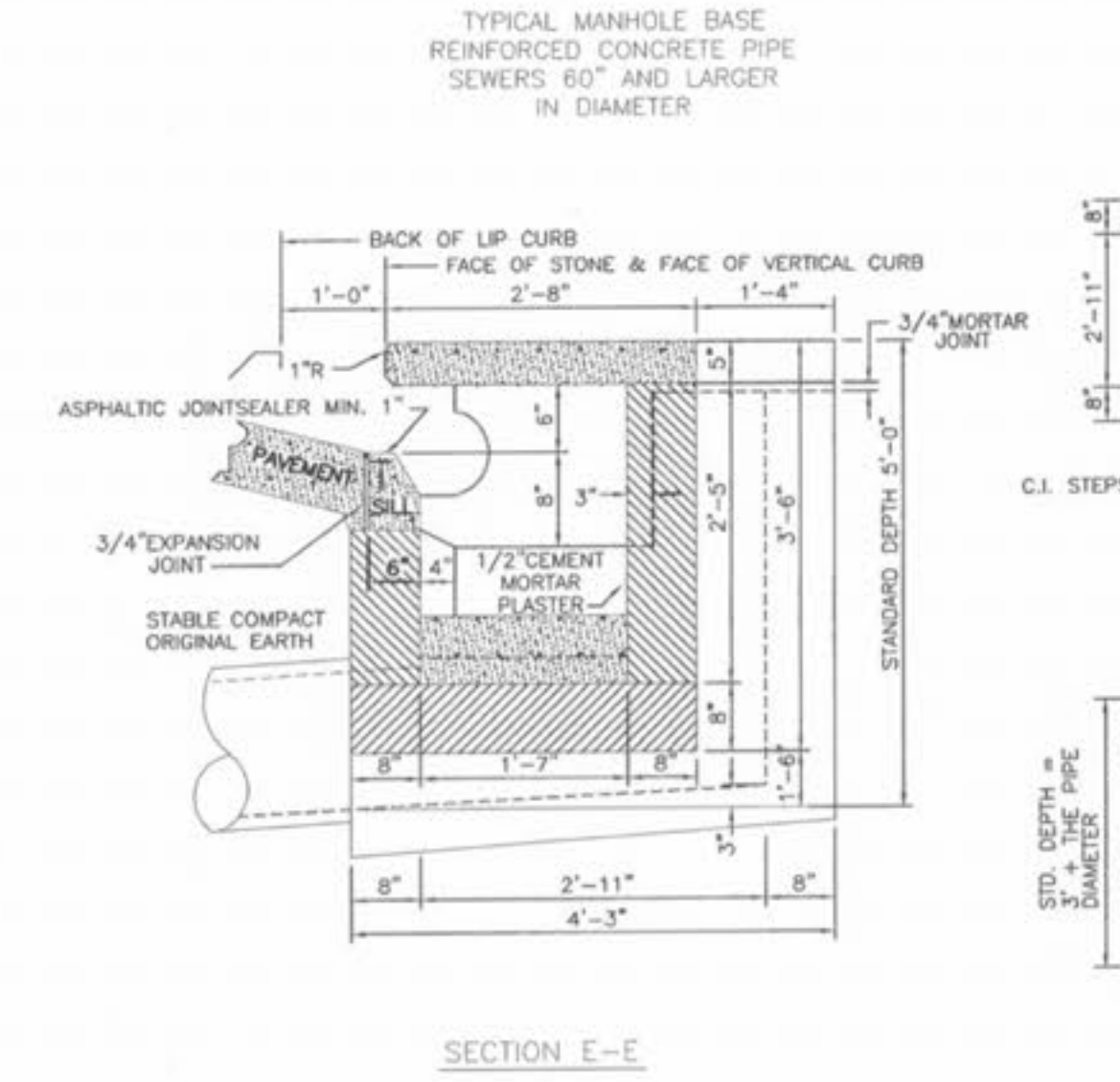
PRE-CAST CONCRETE ADAPTER RING
FOR USE ON PRE-CAST MANHOLE TEE



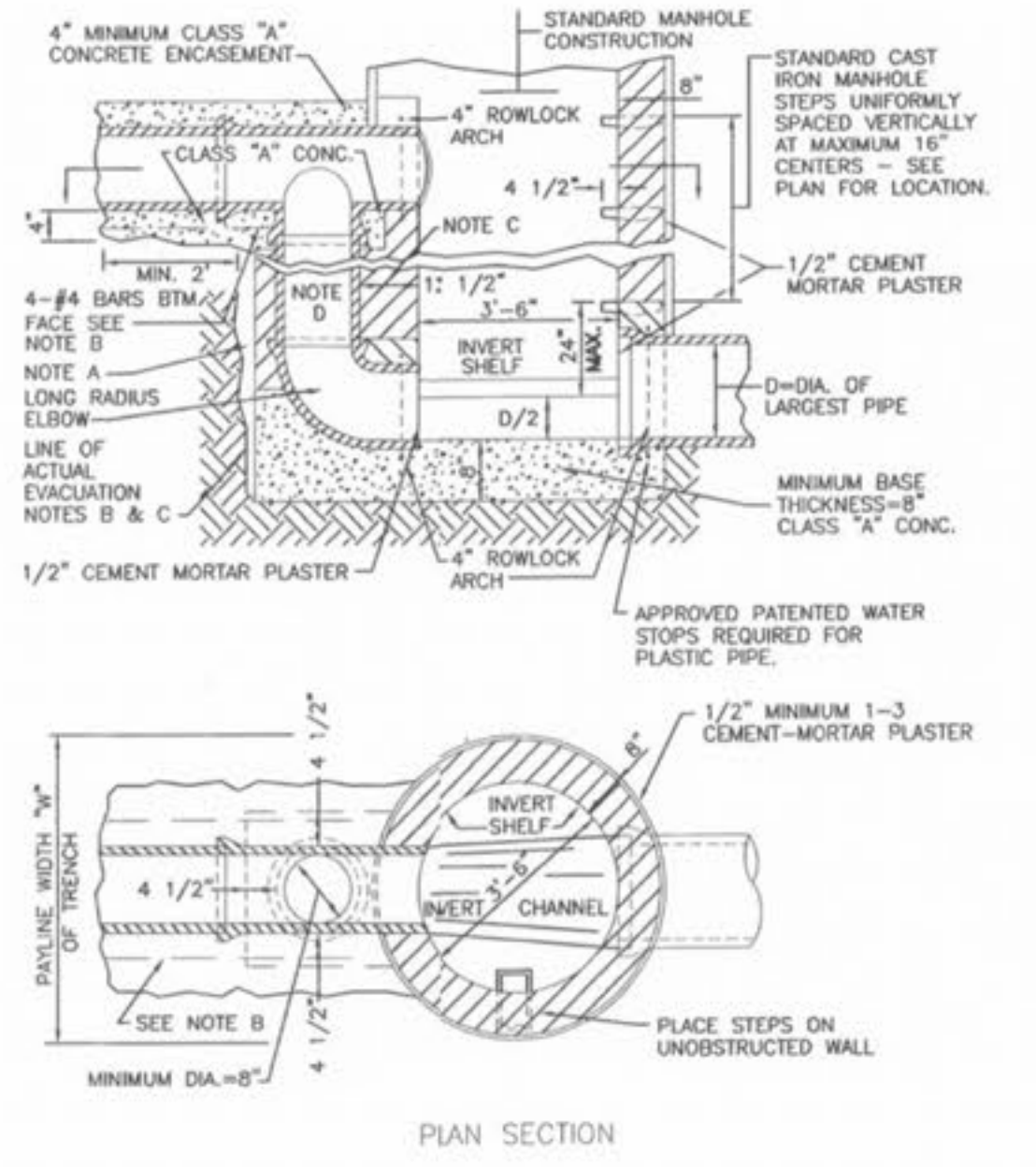
TYPICAL PRE-CAST M.H. TEE
FOR REINFORCED CONCRETE
PIPE SEWERS 48" AND
LARGER IN DIAMETER



FOR D=78" AND LARGER

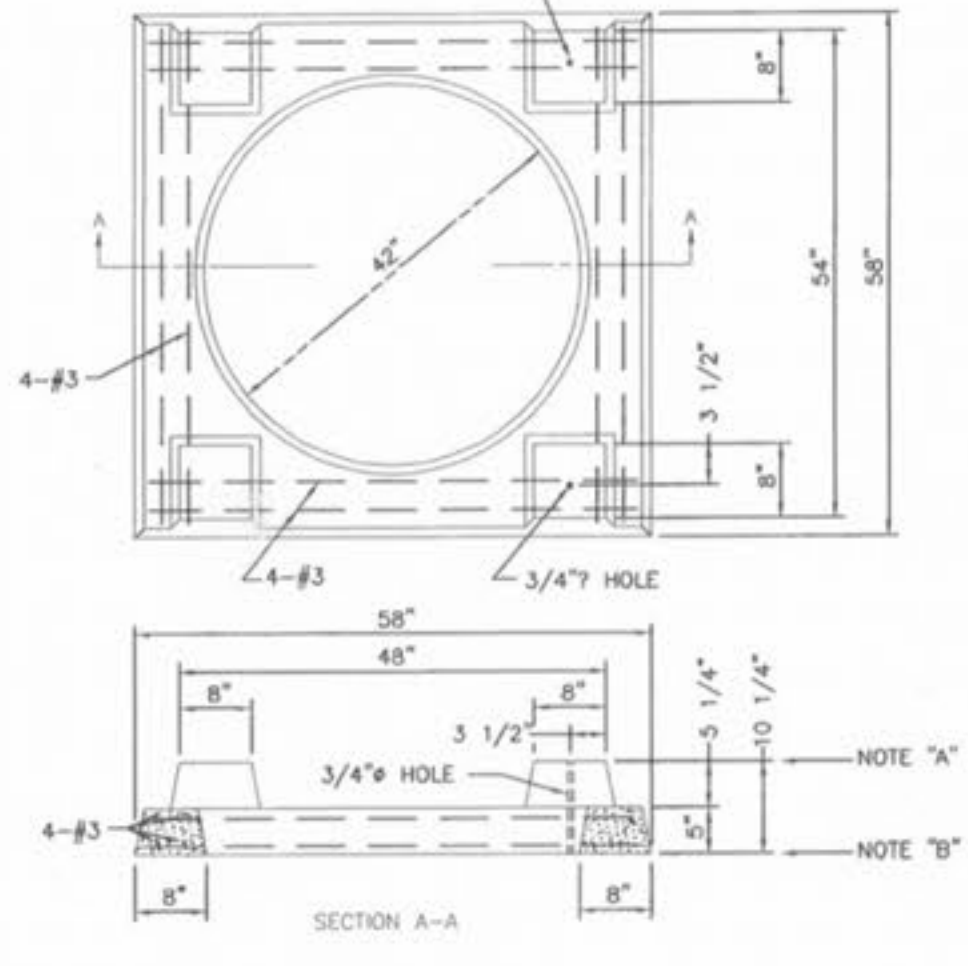


FOR D=60" THRU 72"



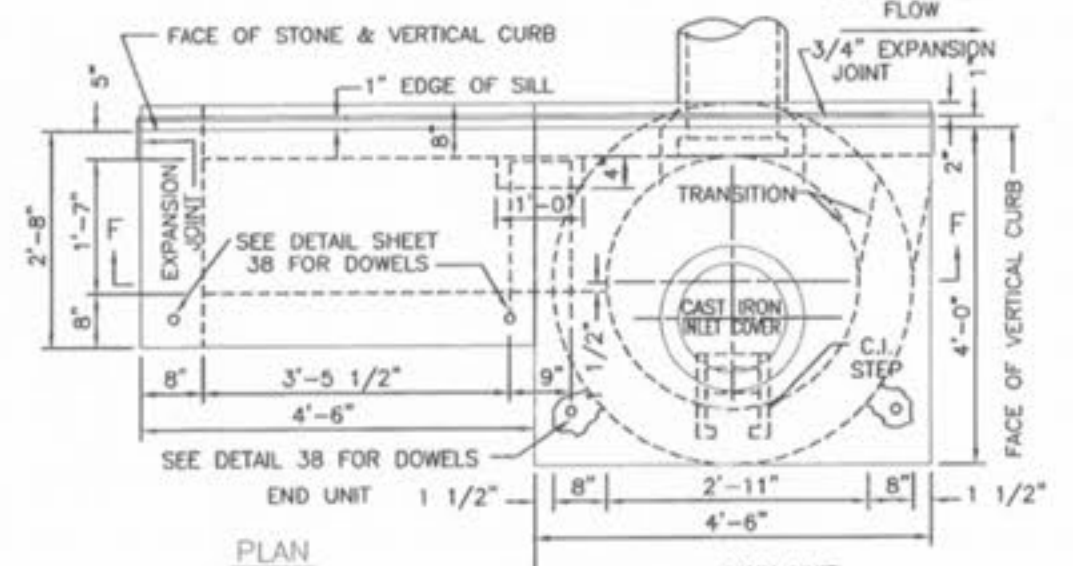
PLAN SECTION

SEE ACCOMPANYING SHEET FOR NOTES.



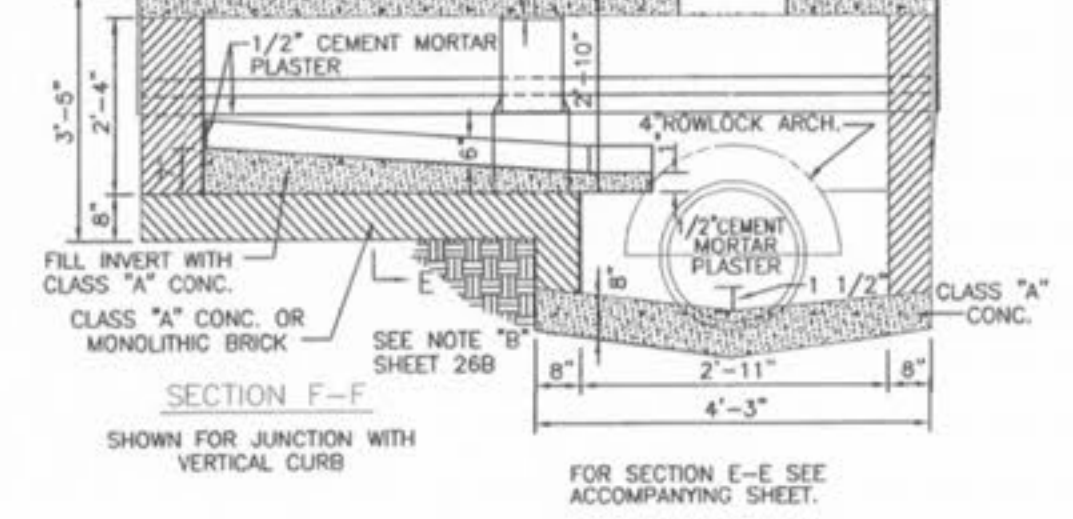
4000 P.S.I. CONCRETE REQUIRED

NOTES:
A. SET STANDARD INLET STONE IN 3/4" MORTAR BED AND
DOWEL WITH 5/8" 1-0" LONG PINS AND GROUT.
B. RAISE TO FIN. GRADE WITH COURSES OF BRICK AND
SET THE UNIT TO BASE WITH 3/4" MORTAR BED.
C. THIS UNIT TO BE USED WITH 42" I.D., POURED IN
PLACE CONCRETE OR BRICK BASE.



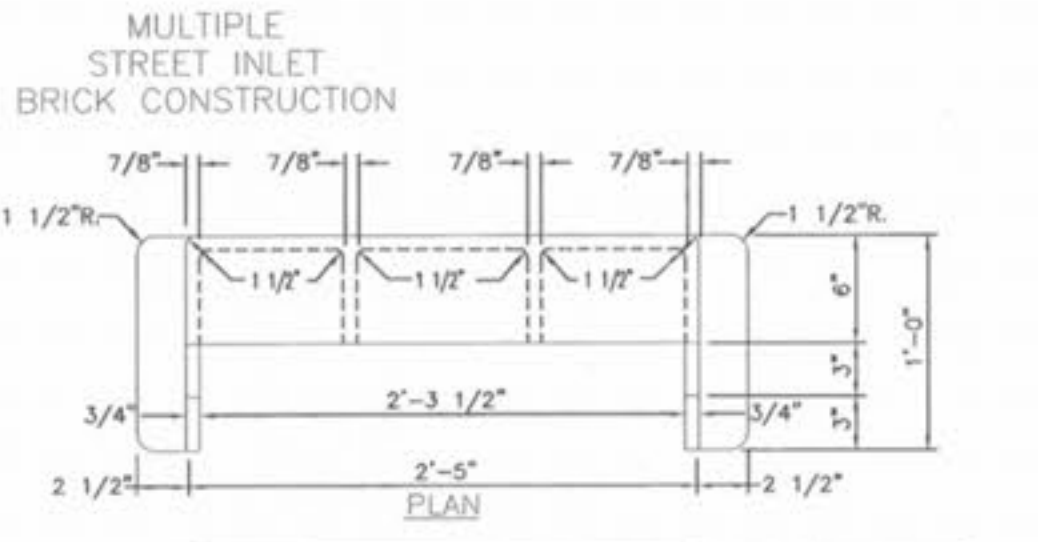
PLAN

FOR JUNCTION WITH VERTICAL
CURB



SECTION F-F

SHOWN FOR JUNCTION WITH
VERTICAL CURB



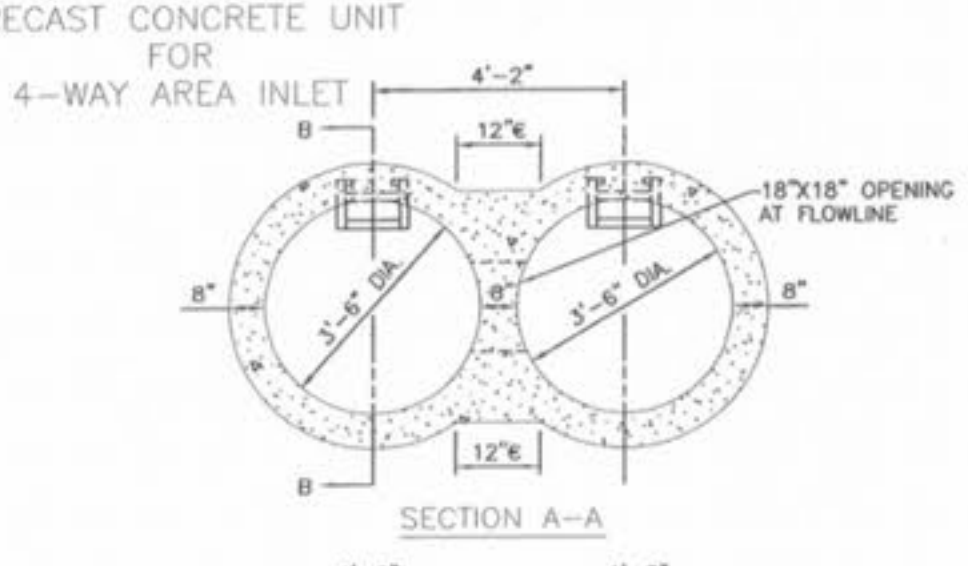
PLAN

ELEVATION

END VIEW

SECTION B-B

NOTE: ALL RADI NOT INDICATED
SHALL HAVE A PERMISSIBLE
ROUNDING OF 1/8" OR LESS.



SECTION A-A

ELEVATION

SECTION B-B

CONCRETE DOUBLE
STREET INLET
W/PRE-CAST TOP UNIT

NOTE: TO BE USED ONLY WHEN
PRE-CAST TOP SECTION
IS AVAILABLE.

CAST IRON SIDE INTAKE
UNIT FOR GRATED INLETS
249 LBS.

NOTE: ADD 5/8" TRASH BAR TO ALL
CURB INLET OPENINGS

PICKETT RAY & SILVER
CIVIL ENGINEERS
PLANNERS
LAND SURVEYORS
333 Mid Rivers Mall Drive
St. Peters, MO 63376
Phone (636) 397-1211
Fax (636) 397-1104

CROSSINGS INDUSTRIAL PHASE 2
CONSTRUCTION DETAILS
Prepared For:
SUMMIT POINTE L.C.
239 FOX HILL ROAD
ST. CHARLES, MO. 63301
(636) 940-9500

REVISIONS	NO.	DATE	DESCRIPTION
1	09/23/03		PER CITY COMMENTS

ENGINEERS AUTHENTICATION
The responsibility for professional
engineering liability on this project
is hereby limited to the set of plans
authenticated by the seal, signature,
and date hereunder attached.
Responsibility is disclaimed for all
other engineering plans involved in
this project and specifically excludes
revisions after this date unless
reauthenticated.
PICKETT RAY & SILVER, INC.
SITE OF MISSOURI
HAROLD J. BARTCH
REGISTERED PROFESSIONAL ENGINEER
NUMBER E-17751
11/10/03

DRAWN	DATE
E.J.S.	03/20/03
CHECKED	DATE
D.W.D.	03/20/03

PROJECT # 01212.SUP0.01R
TASK # 2 FIELD 826
BOOK

CROSSINGS INDUSTRIAL PHASE 2
CONSTRUCTION DETAILS
SHEET 5 OF 9
Copyright 2003 by Pickett, Ray & Silver Inc.