

PRE-CAST CONCRETE UNIT FOR SINGLE STREET INLET METROPOLITAN ST. LOUIS SEWER DISTRICT Standard Details of Sewer Construction Dr. W.S.H. Ch. J.C.K. 1992 SHEET 37

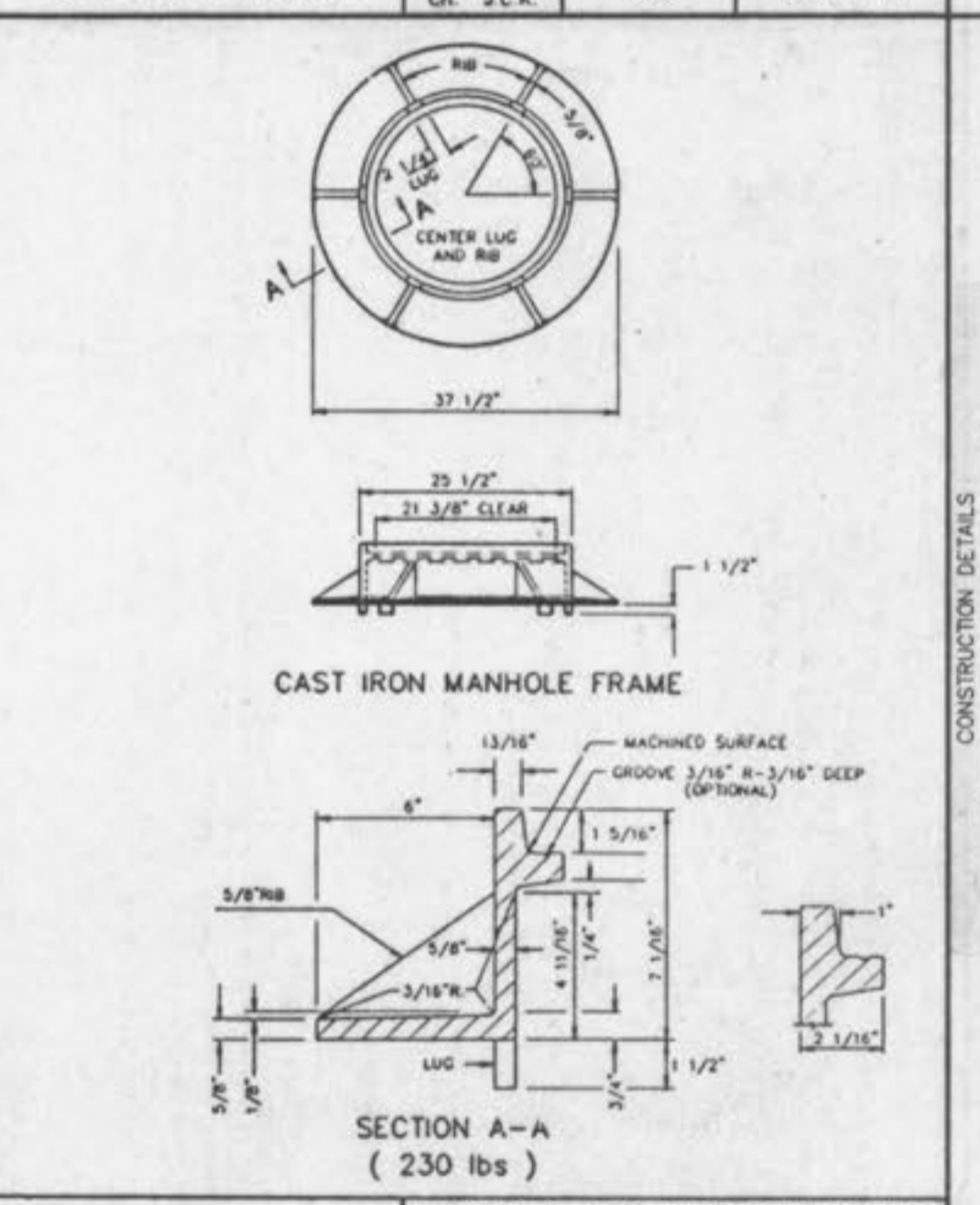
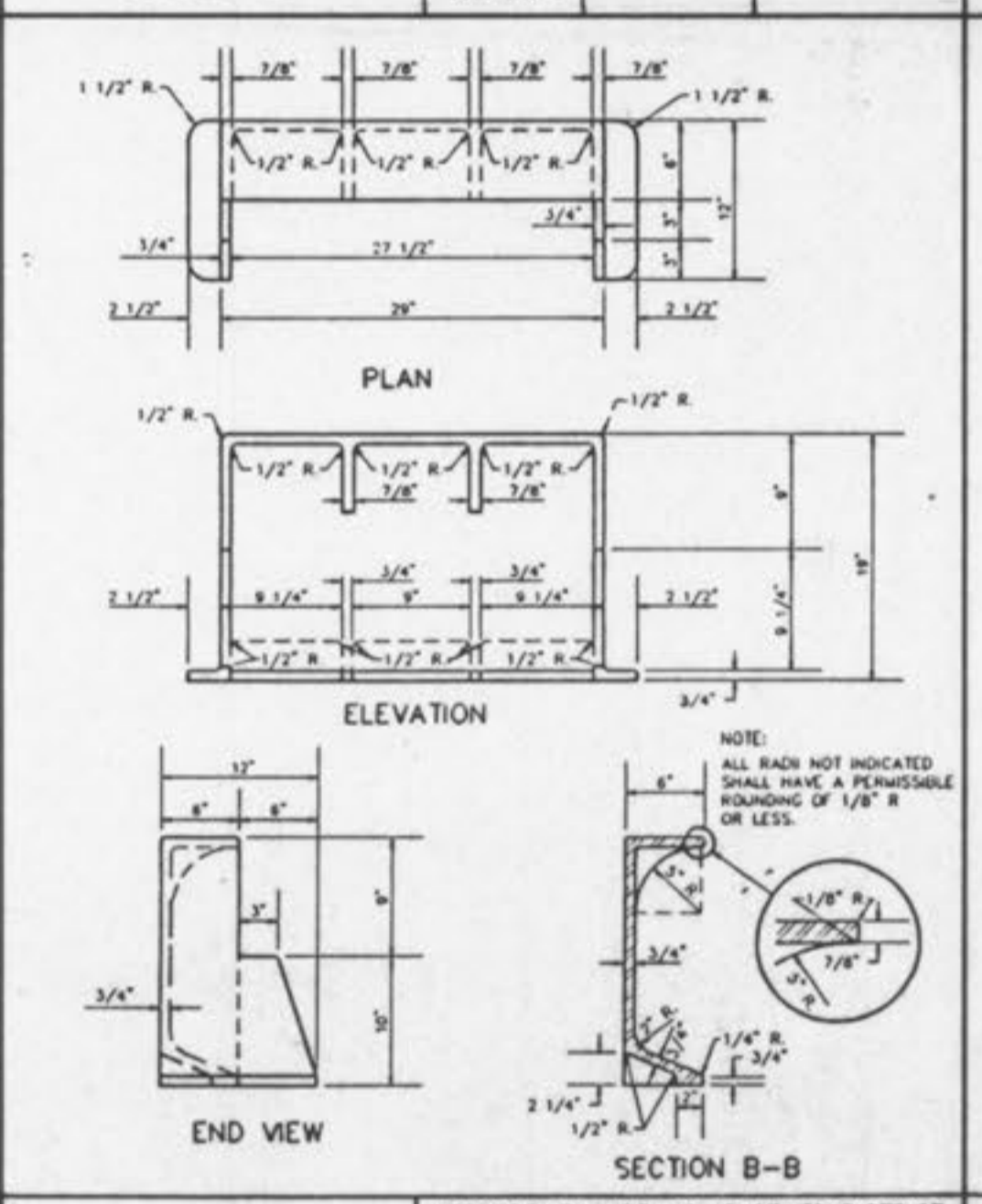
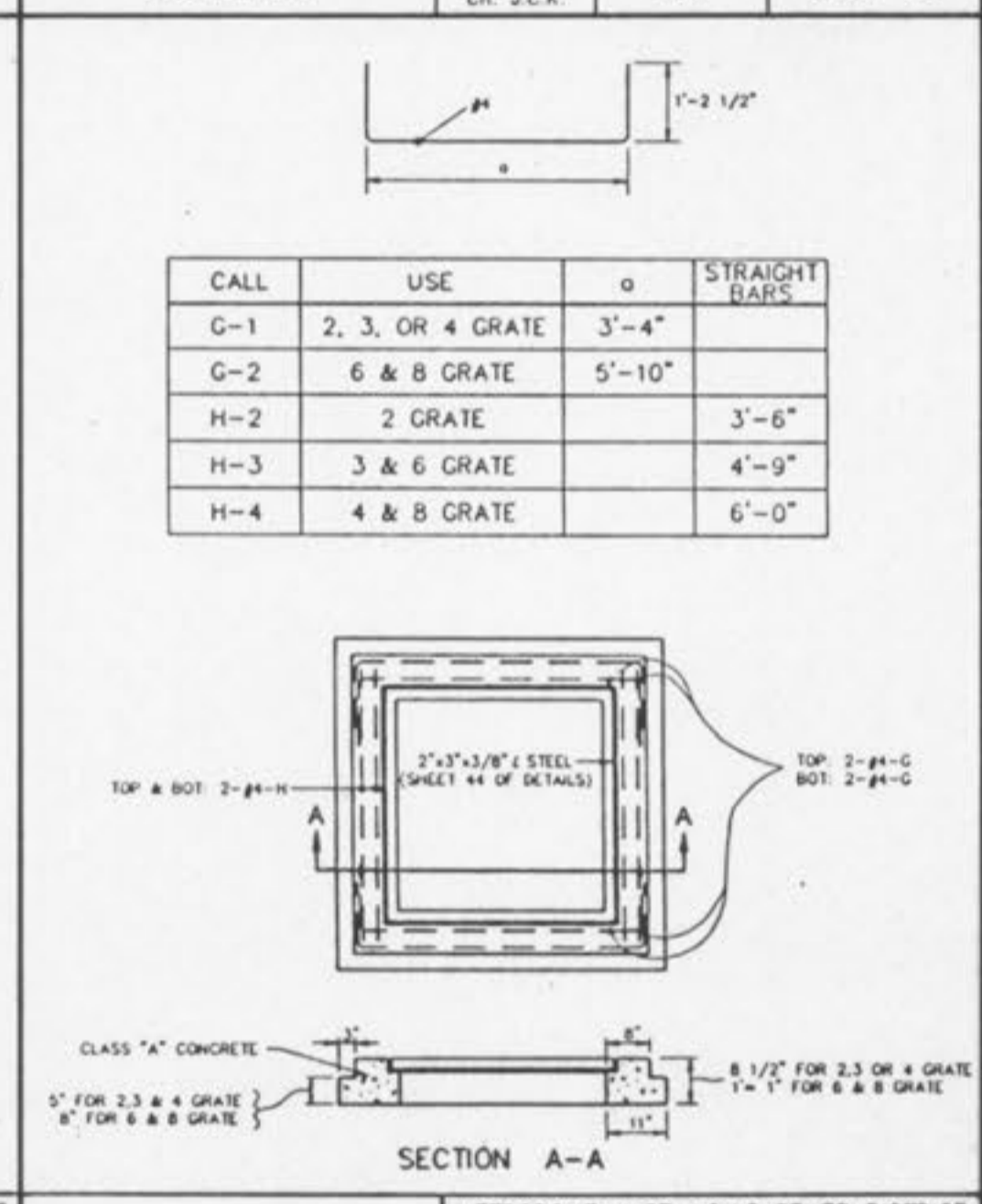
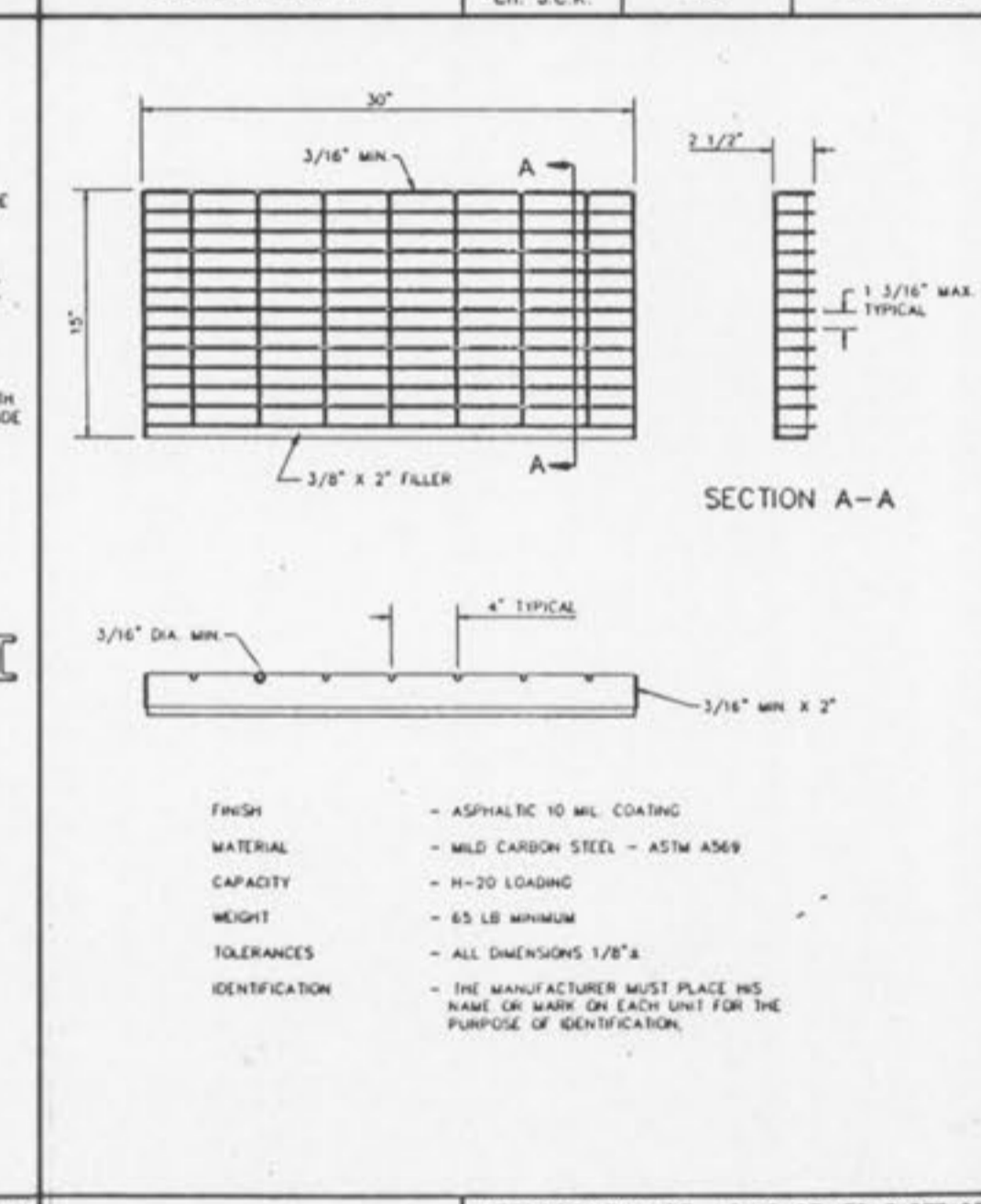
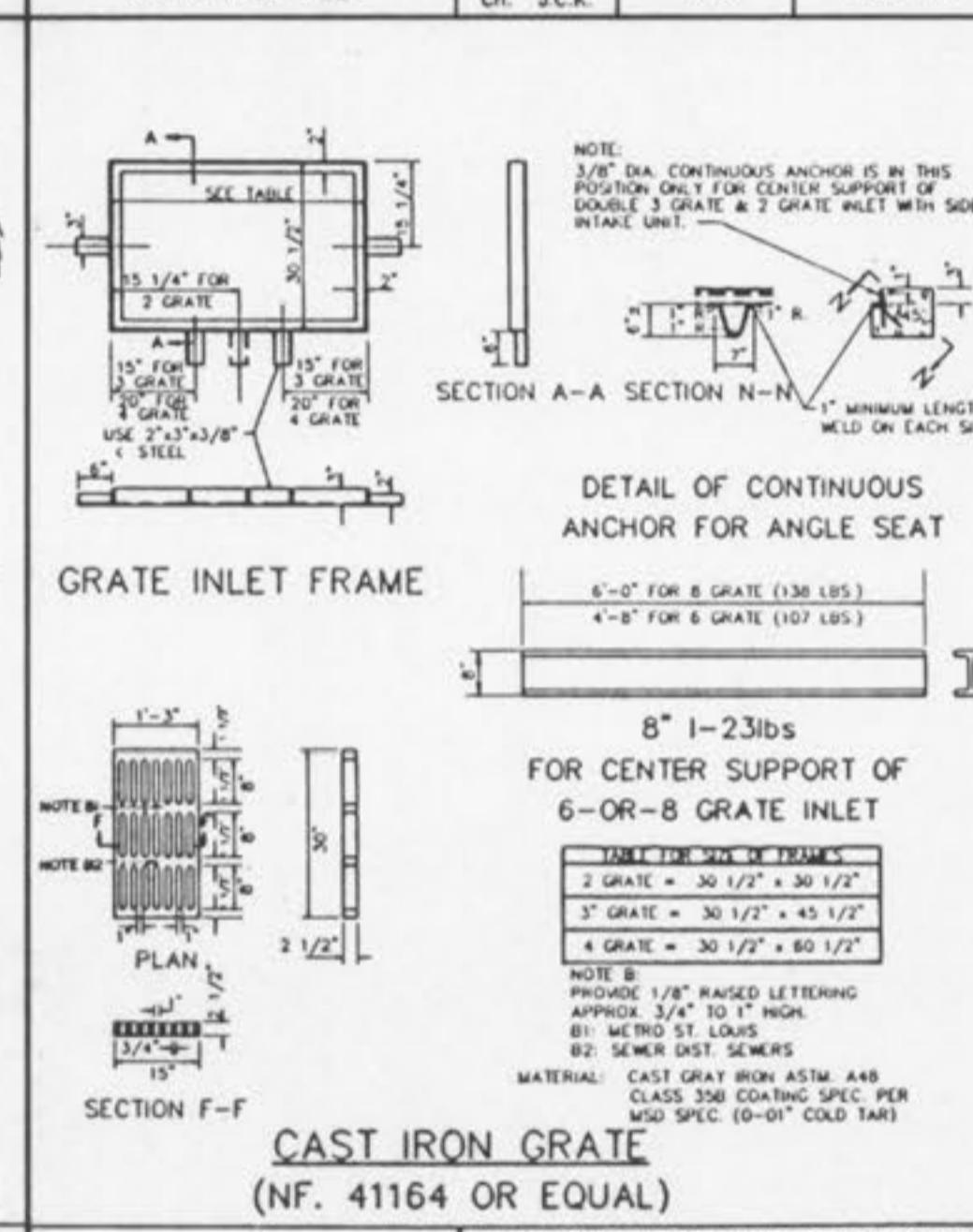
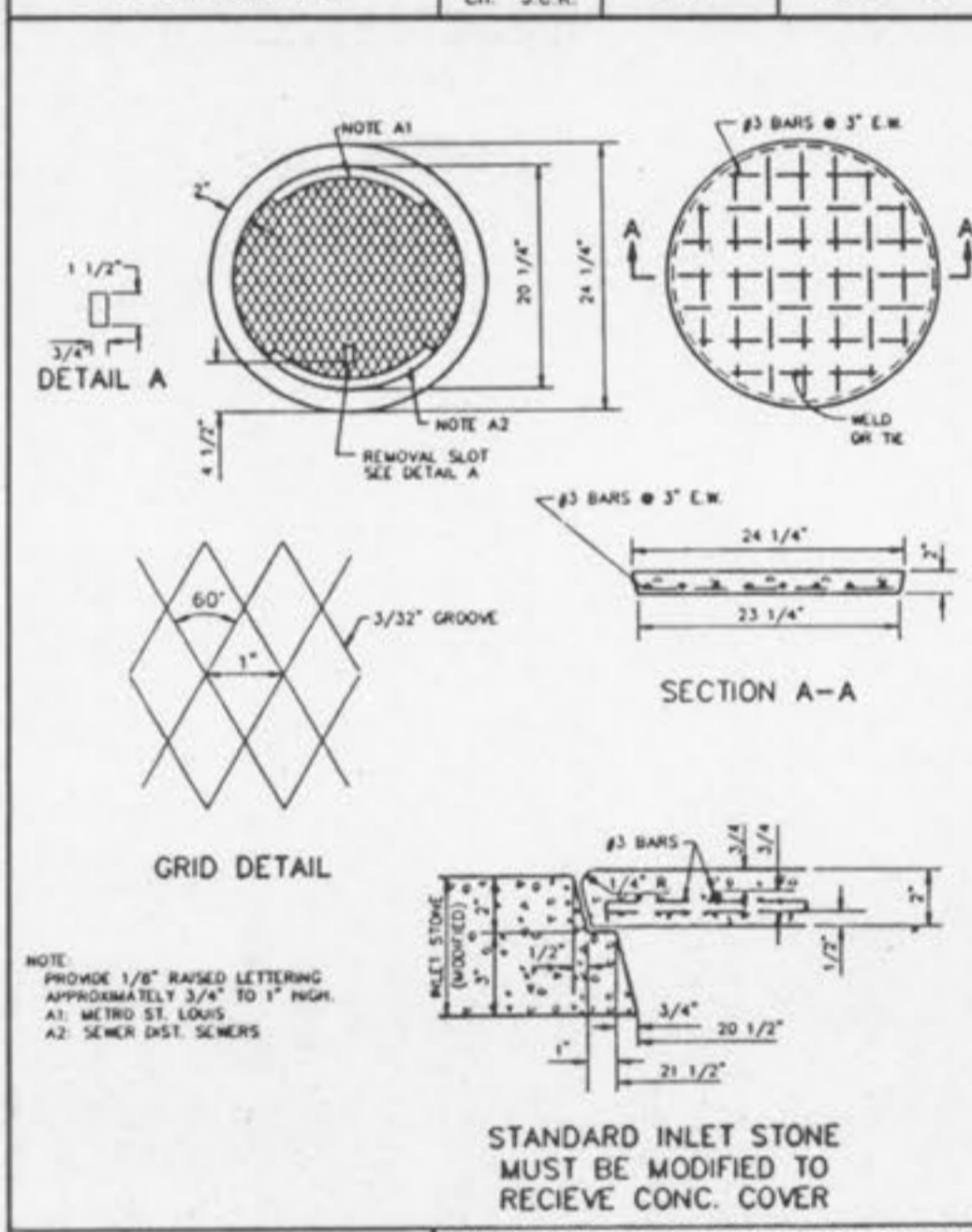
PRE-CAST CONCRETE UNIT FOR 4 WAY AREA INLET METROPOLITAN ST. LOUIS SEWER DISTRICT Standard Details of Sewer Construction Dr. D.A.B. Ch. J.C.K. 1992 SHEET 38

CONCRETE DOUBLE STREET INLET W/PRE CAST CONCRETE UNIT A METROPOLITAN ST. LOUIS SEWER DISTRICT Standard Details of Sewer Construction Dr. R.C.W. Ch. J.C.K. 1992 SHEET 39

PRE-CAST CONCRETE UNIT A FOR STREET DOUBLE INLET METROPOLITAN ST. LOUIS SEWER DISTRICT Standard Details of Sewer Construction Dr. R.C.W. Ch. J.C.K. 1992 SHEET 40

PRE-CAST CONCRETE UNIT B FOR STREET DOUBLE INLET METROPOLITAN ST. LOUIS SEWER DISTRICT Standard Details of Sewer Construction Dr. R.C.W. Ch. J.C.K. 1992 SHEET 41

STANDARD - INLET STONES, BLOCKS & DESIGN DETAILS METROPOLITAN ST. LOUIS SEWER DISTRICT Standard Details of Sewer Construction Dr. W.S.H. Ch. J.C.K. 1992 SHEET 42



PRE-CAST CONCRETE INLET COVER METROPOLITAN ST. LOUIS SEWER DISTRICT Standard Details of Sewer Construction Dr. R.C.W. Ch. J.C.K. 1992 SHEET 43

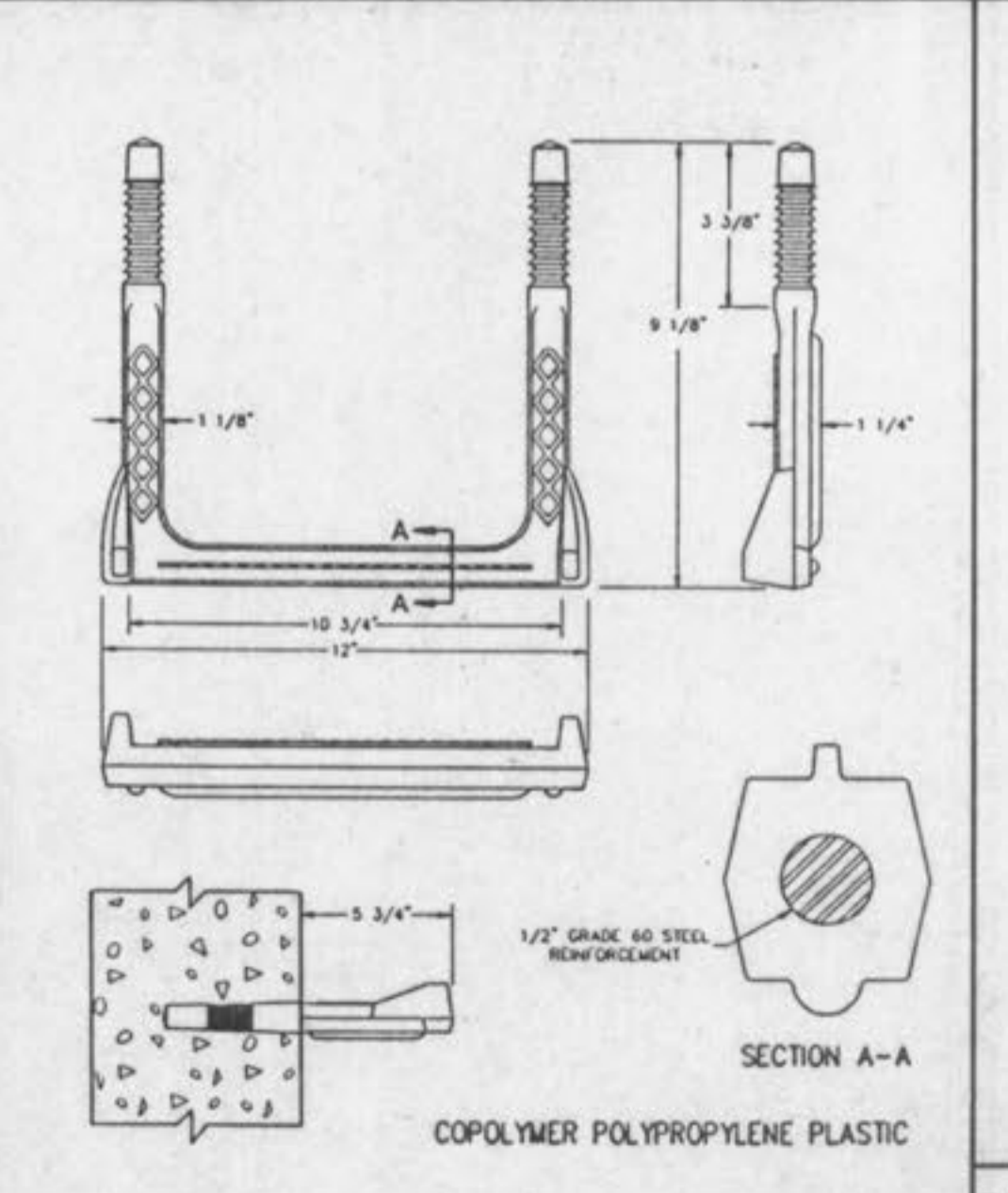
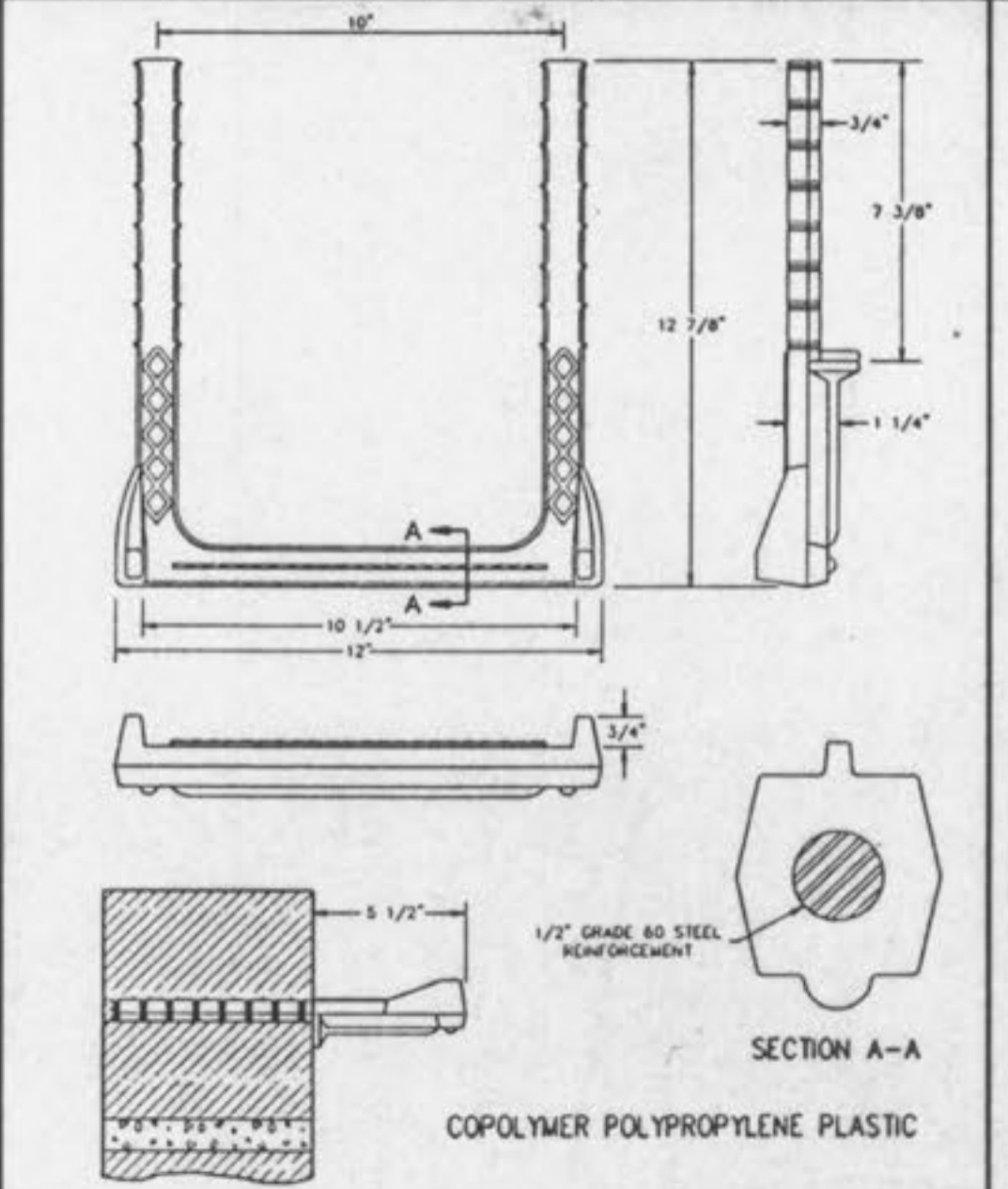
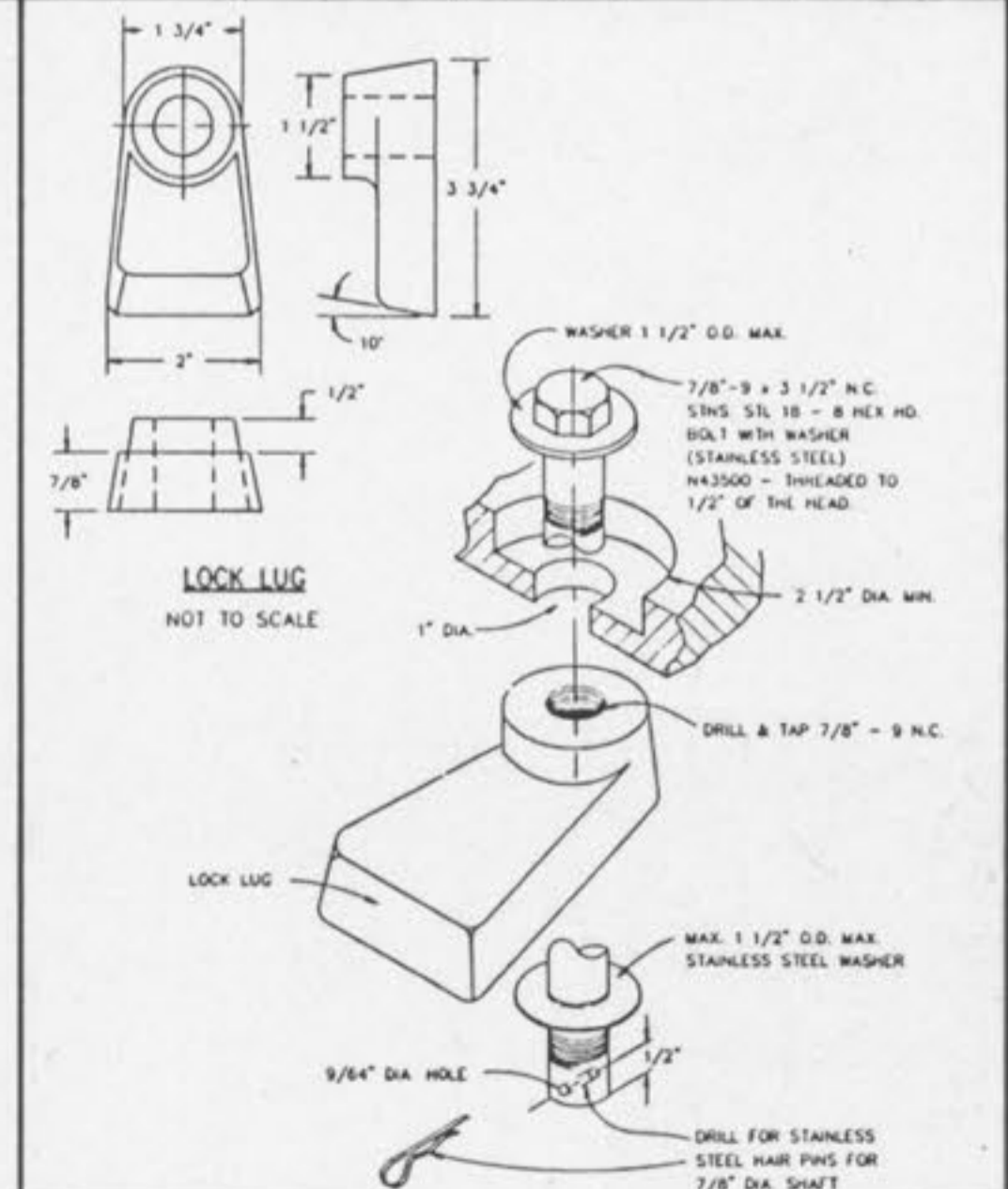
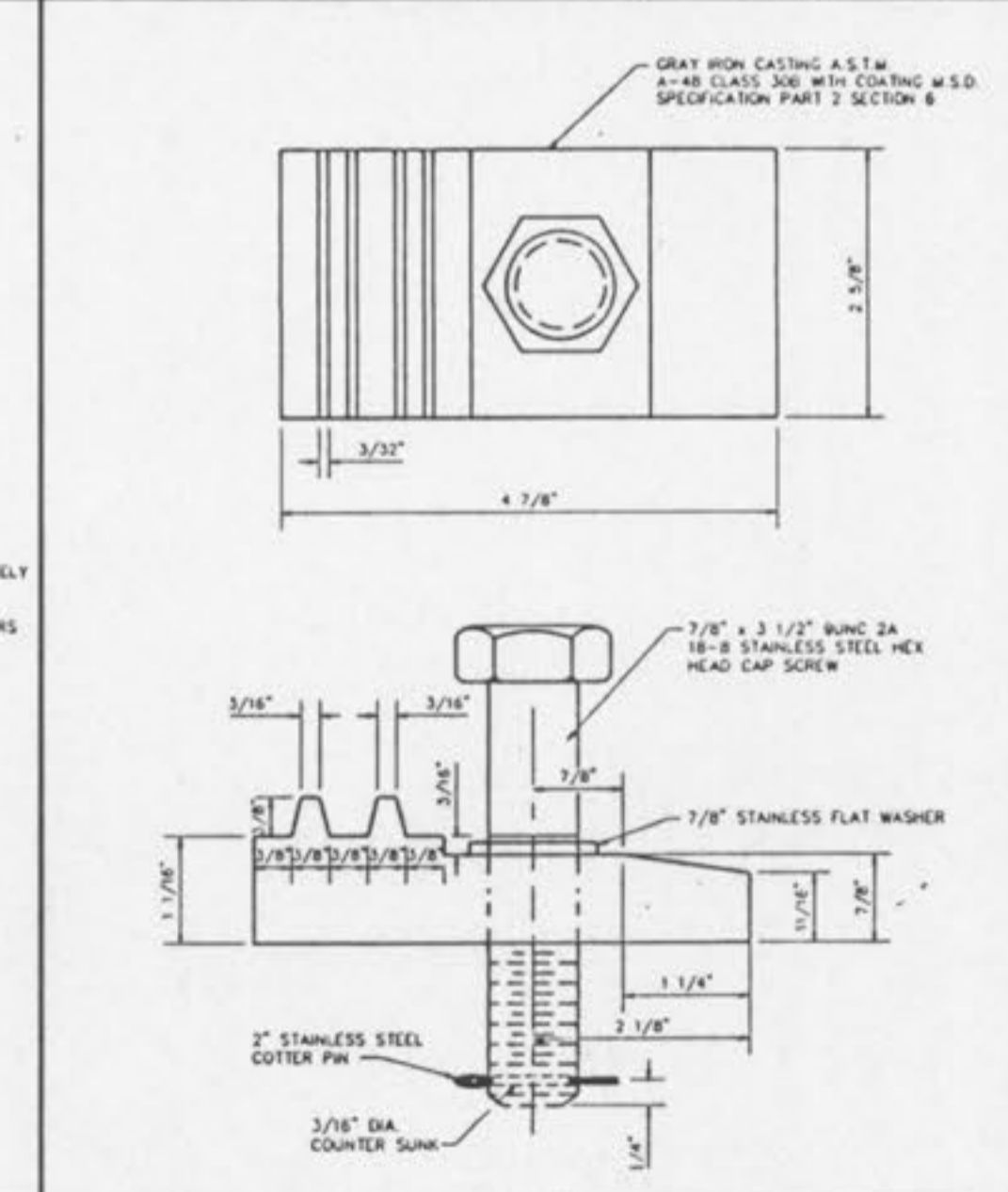
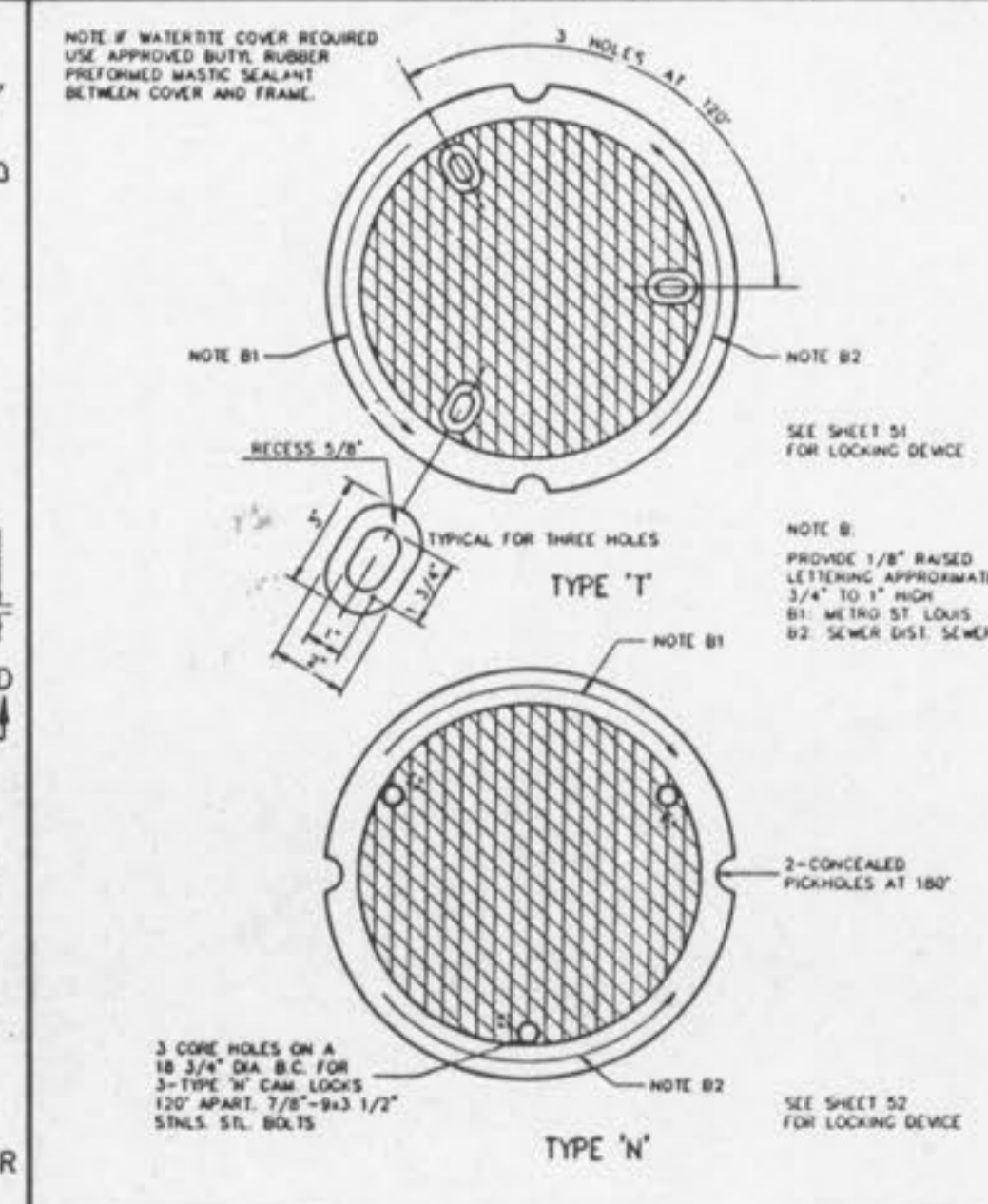
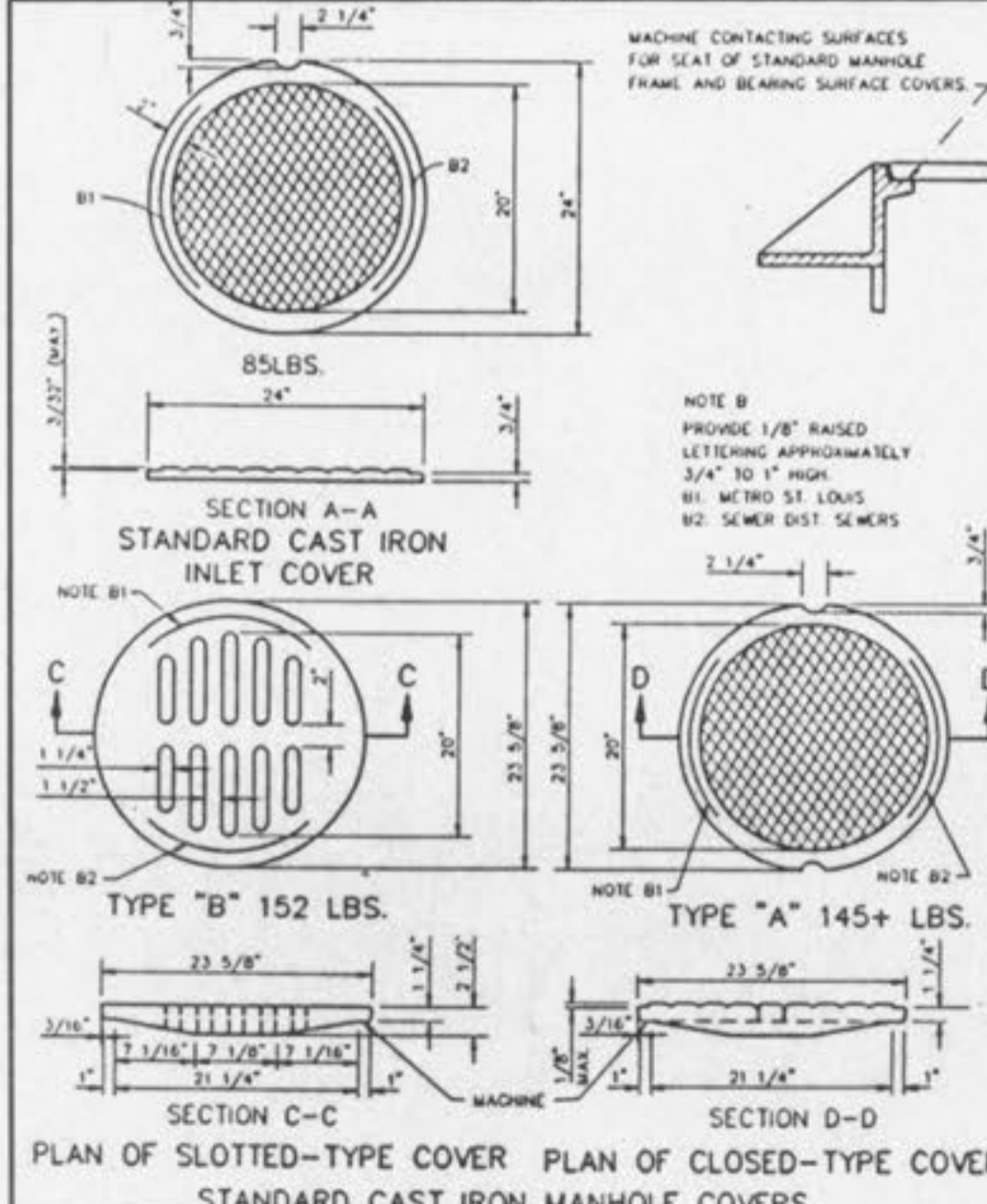
DETAILS OF INLET FRAME AND GRATES METROPOLITAN ST. LOUIS SEWER DISTRICT Standard Details of Sewer Construction Dr. R.C.W. Ch. J.C.K. 1992 SHEET 44

DETAIL OF STEEL GRATE METROPOLITAN ST. LOUIS SEWER DISTRICT Standard Details of Sewer Construction Dr. R.C.W. Ch. J.C.K. 1992 SHEET 45

STEEL REQUIREMENTS FOR GRATE INLET SEAT METROPOLITAN ST. LOUIS SEWER DISTRICT Standard Details of Sewer Construction Dr. W.S.H. Ch. J.C.K. 1992 SHEET 46

CAST IRON SIDE INTAKE UNIT FOR GRATED INLETS 249 LBS. METROPOLITAN ST. LOUIS SEWER DISTRICT Standard Details of Sewer Construction Dr. R.C.W. Ch. J.C.K. 1992 SHEET 47

CAST IRON MANHOLE FRAME METROPOLITAN ST. LOUIS SEWER DISTRICT Standard Details of Sewer Construction Dr. D.A.B. Ch. J.C.K. 1992 SHEET 48



CAST IRON COVERS MANHOLES AND INLETS METROPOLITAN ST. LOUIS SEWER DISTRICT Standard Details of Sewer Construction Dr. R.C.W. Ch. J.C.K. 1992 SHEET 49

CAST IRON MANHOLE COVERS (LOCK TYPE) METROPOLITAN ST. LOUIS SEWER DISTRICT Standard Details of Sewer Construction Dr. W.S.H. Ch. J.C.K. 1992 SHEET 50

LOCKING DEVICE FOR TYPE 'T' LOCK TYPE MANHOLE COVER METROPOLITAN ST. LOUIS SEWER DISTRICT Standard Details of Sewer Construction Dr. R.C.W. Ch. J.C.K. 1992 SHEET 51

LOCKING DEVICE FOR TYPE 'N' LOCK TYPE MANHOLE COVER METROPOLITAN ST. LOUIS SEWER DISTRICT Standard Details of Sewer Construction Dr. J.L.G. Ch. J.C.K. 1992 SHEET 52

PSI-B MANHOLE STEP INTO JOINT METROPOLITAN ST. LOUIS SEWER DISTRICT Standard Details of Sewer Construction Dr. W.S.H. Ch. J.C.K. 1992 SHEET 53

MANHOLE STEP FOR PRECAST MANHOLE METROPOLITAN ST. LOUIS SEWER DISTRICT Standard Details of Sewer Construction Dr. D.A.B. Ch. J.C.K. 1992 SHEET 54