

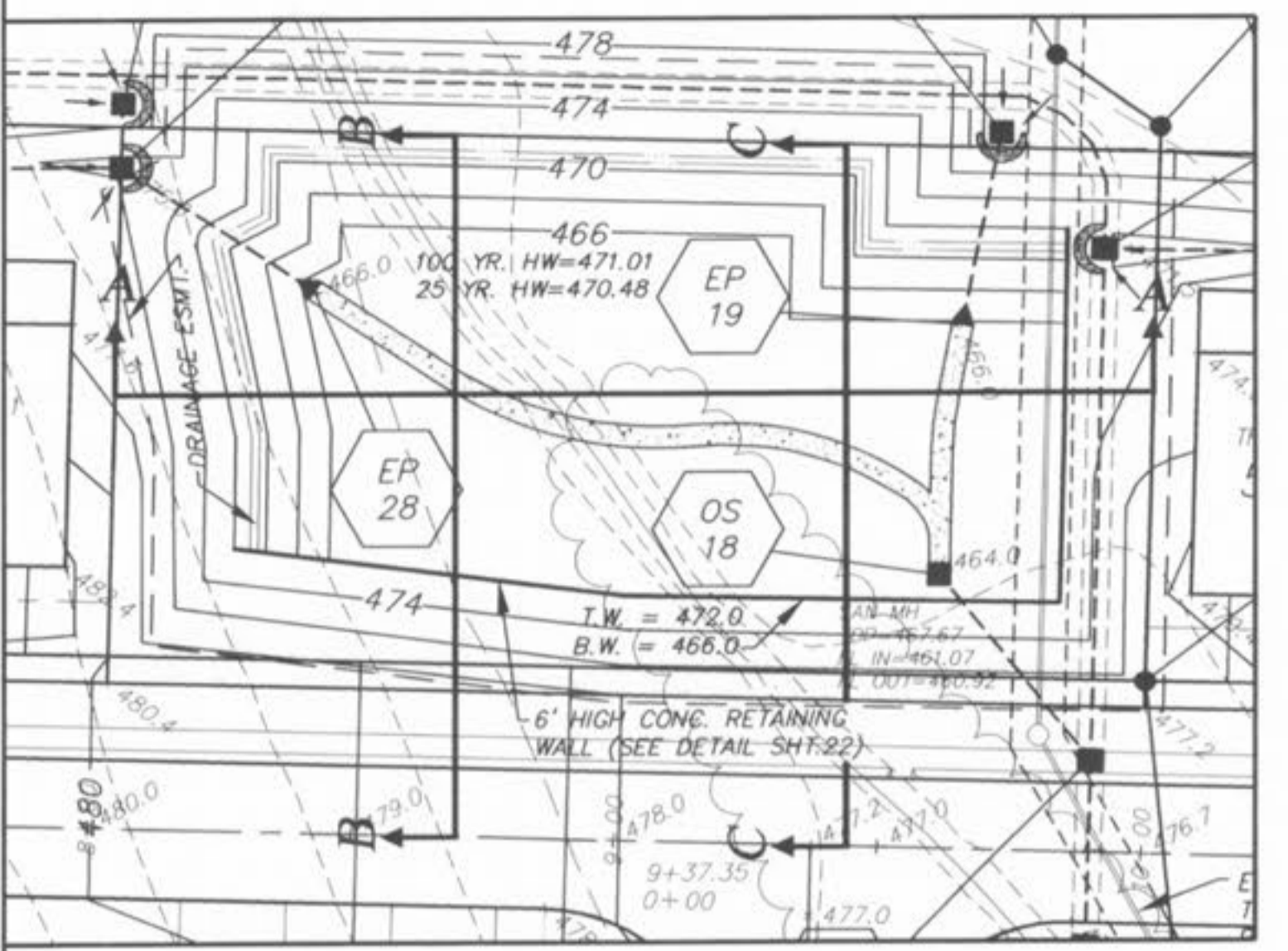
SECTION "A"

SECTION "B"

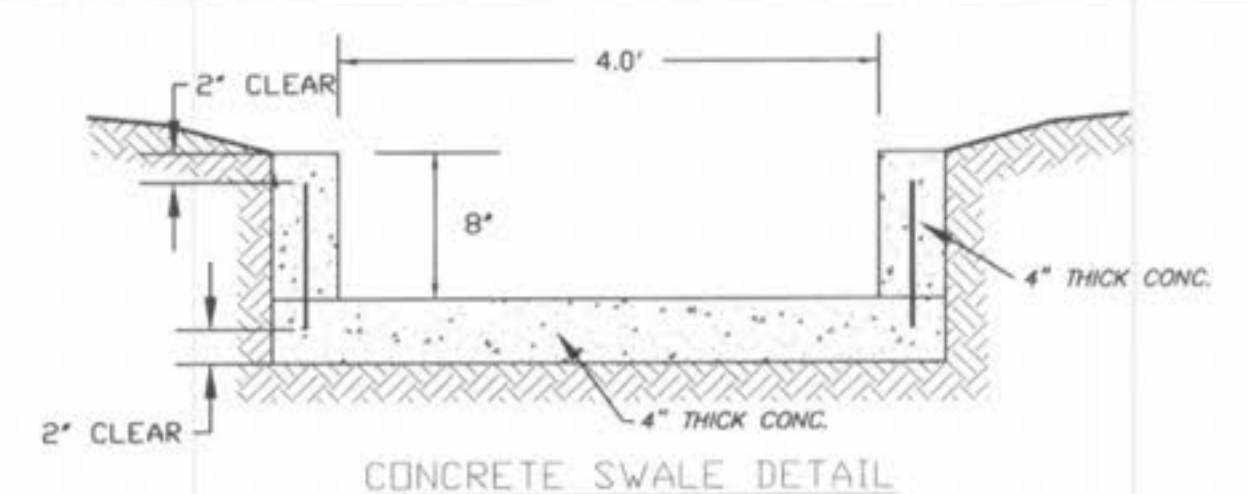
SECTION "C"

BASIN "A"

HORIZONTAL SCALE: 1" = 50'
VERTICAL SCALE: 1" = 10'



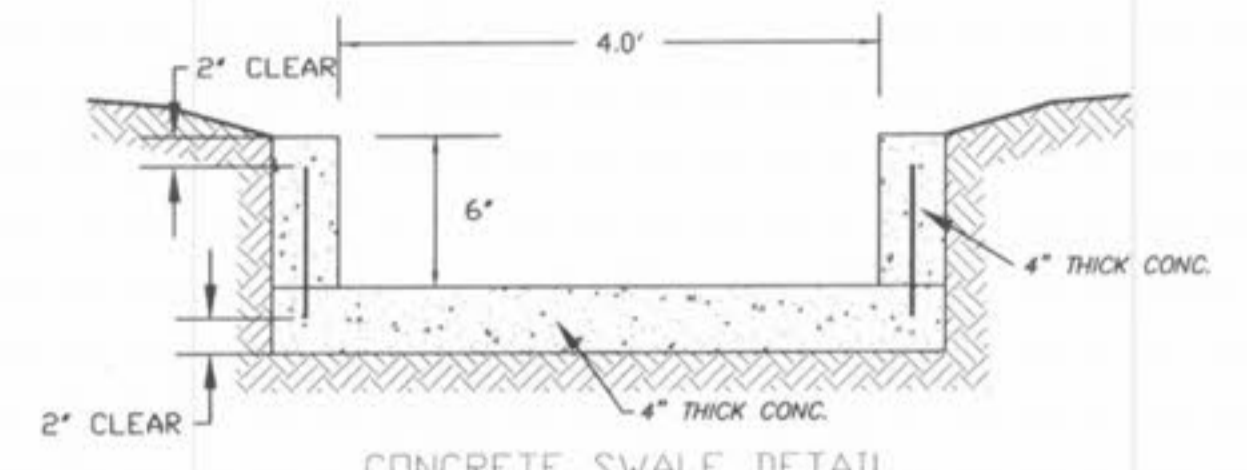
BASIN "A"
SCALE: 1" = 30'



F.E. 3
I.O. (2) = 18.32 c.f.s.
SLOPE = 1.0%
CAPACITY = 19.35 c.f.s.

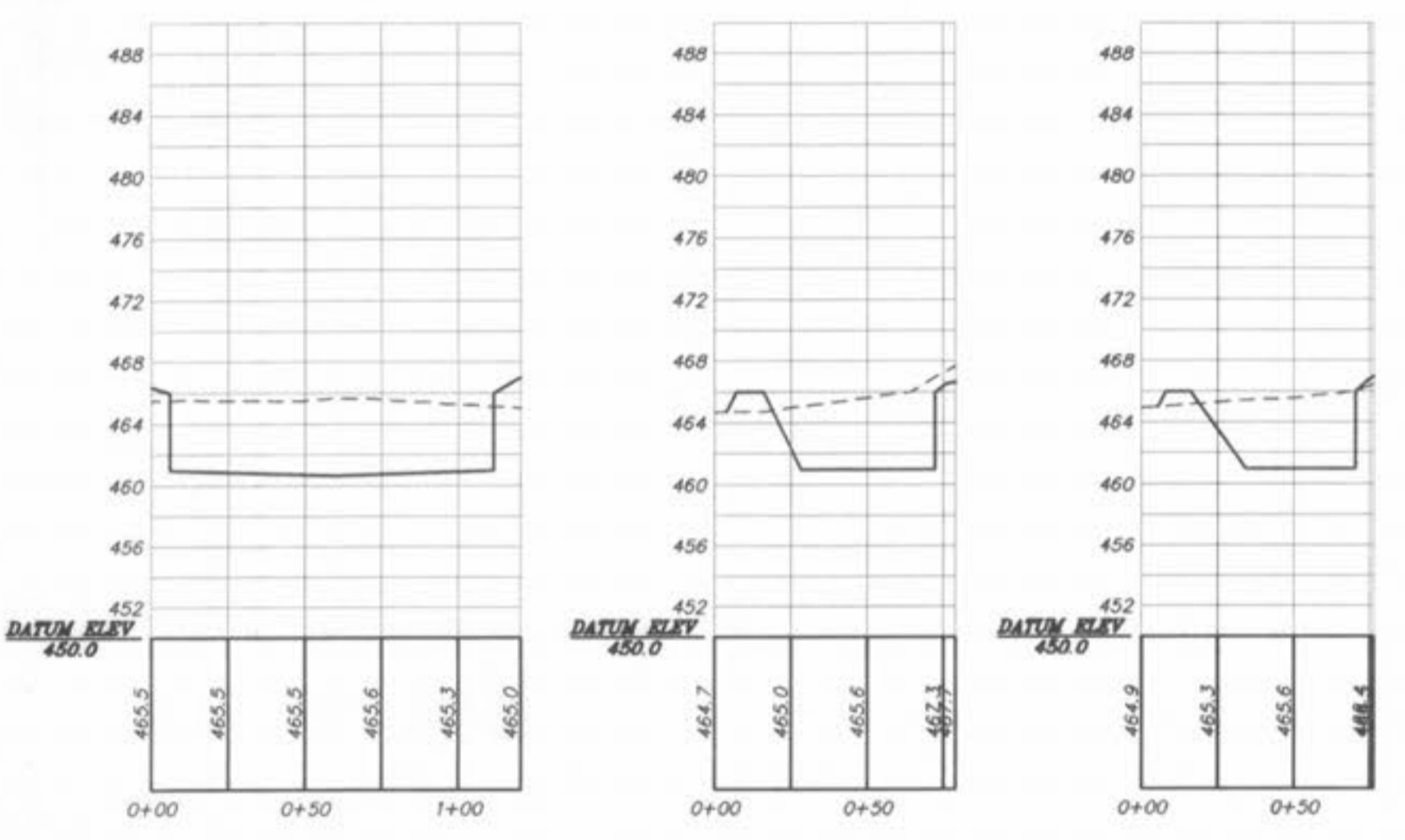
F.E. 39
I.O. (2) = 17.27 c.f.s.
SLOPE = 1.0%
CAPACITY = 19.35 c.f.s.

F.E. 28
I.O. (2) = 16.66 c.f.s.
SLOPE = 1.0%
CAPACITY = 19.35 c.f.s.



F.E. 19
I.O. (2) = 7.02 c.f.s.
SLOPE = 1.0%
CAPACITY = 12.41 c.f.s.

F.E. 21
I.O. (2) = 3.49 c.f.s.
SLOPE = 1.0%
CAPACITY = 12.41 c.f.s.



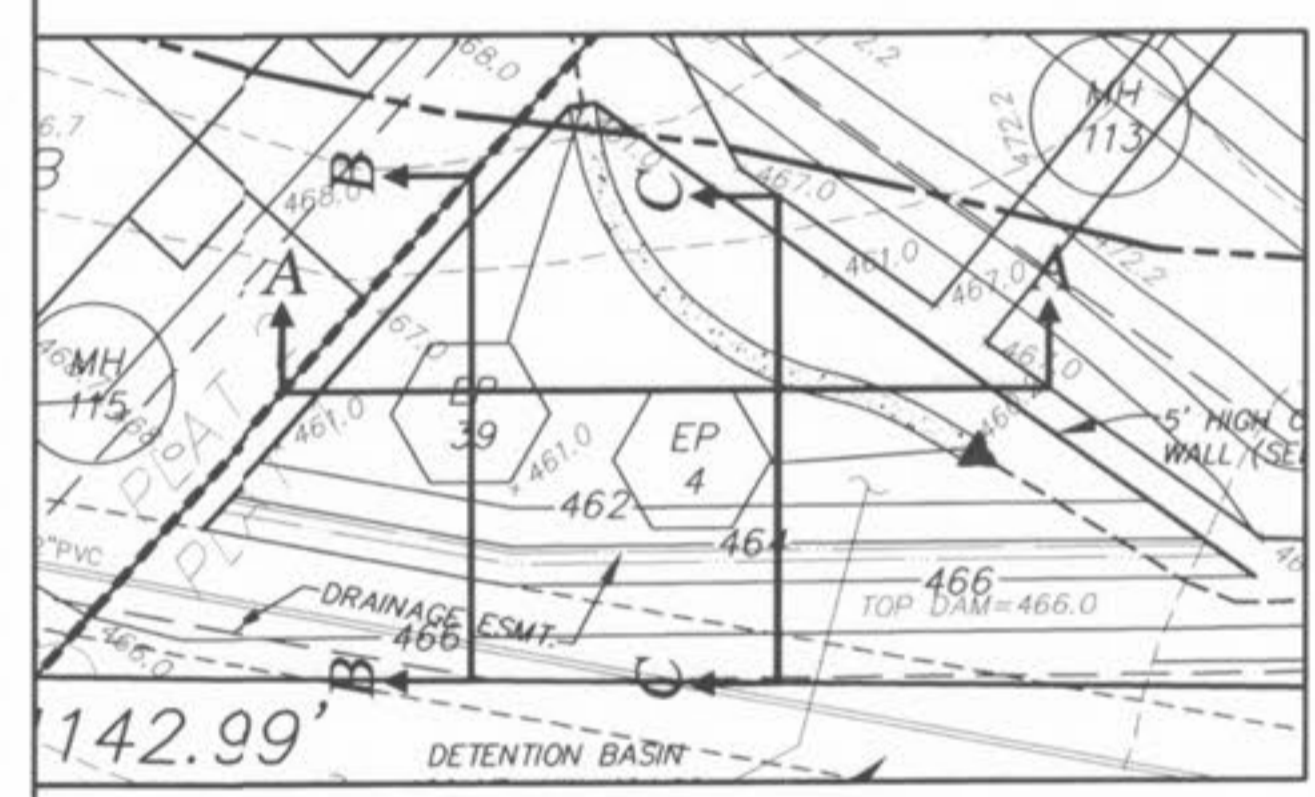
SECTION "A"

SECTION "B"

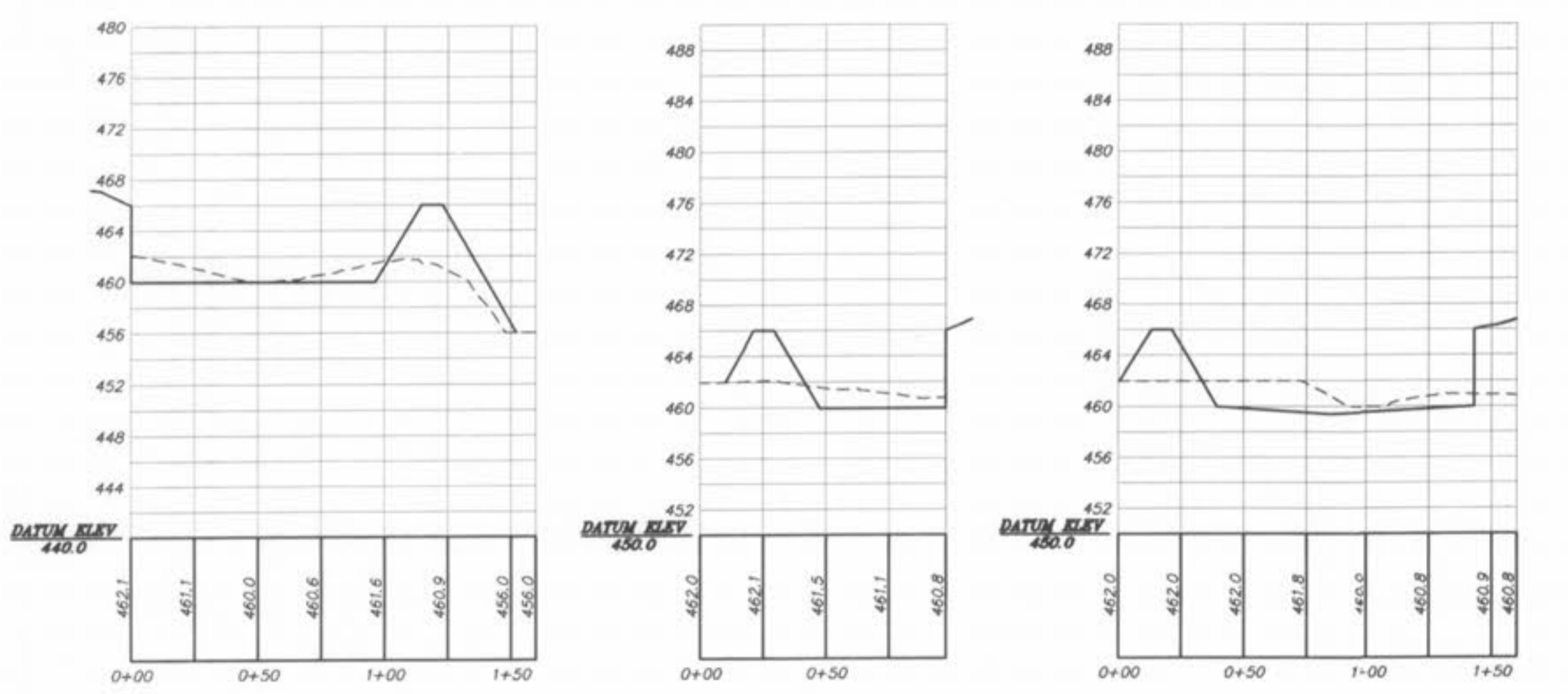
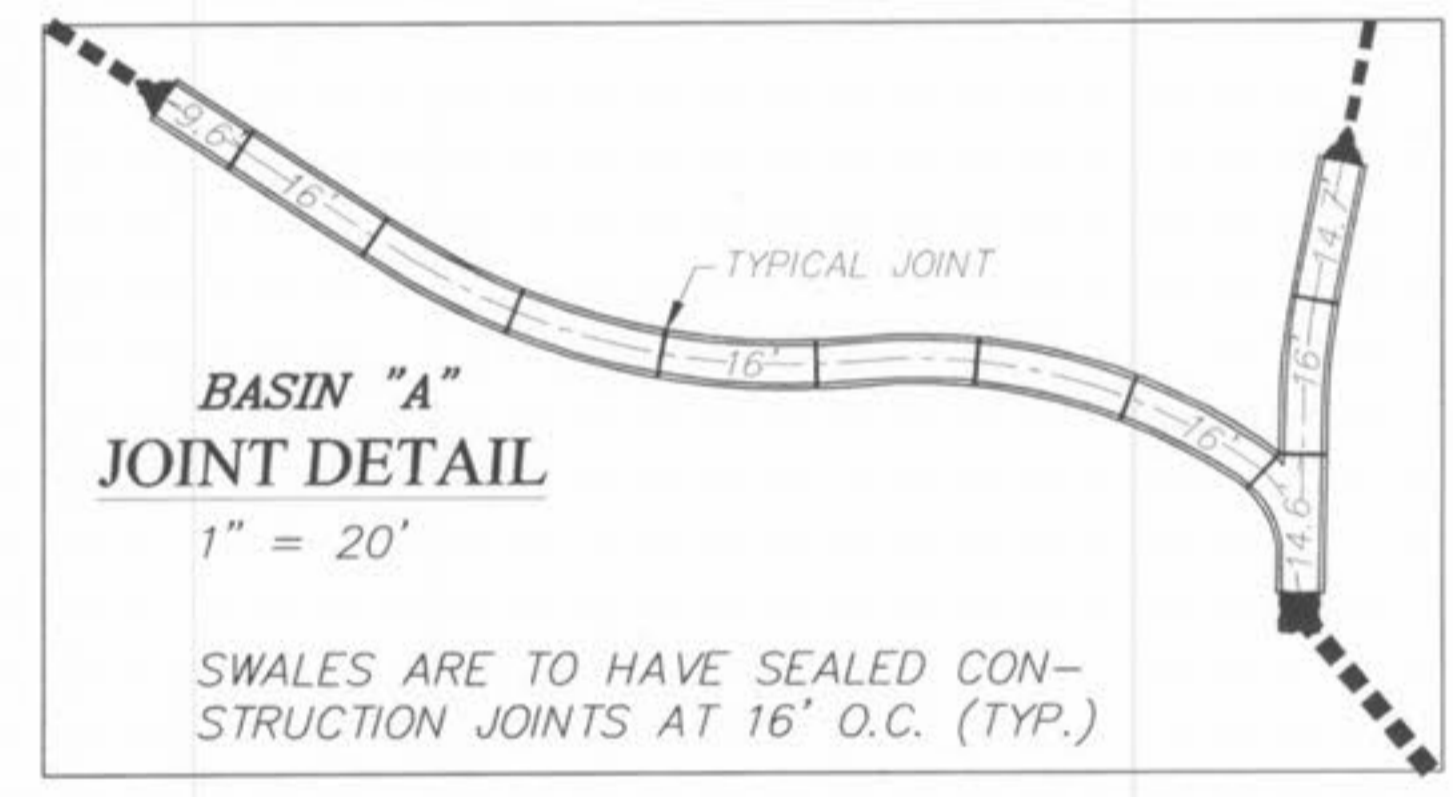
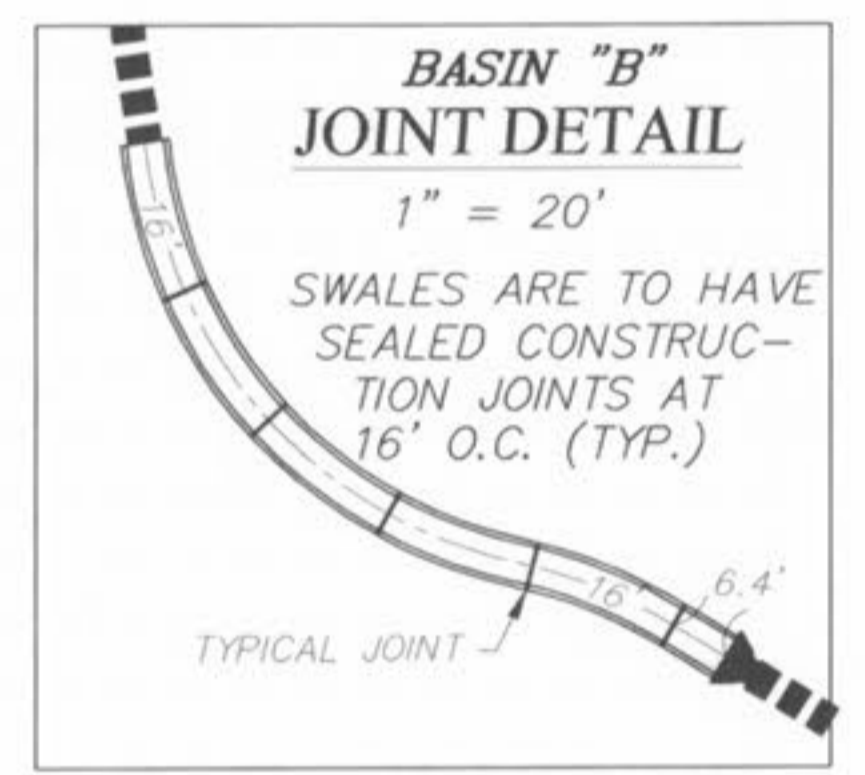
SECTION "C"

BASIN "B"

HORIZONTAL SCALE: 1" = 50'
VERTICAL SCALE: 1" = 10'



BASIN "B"
SCALE: 1" = 30'



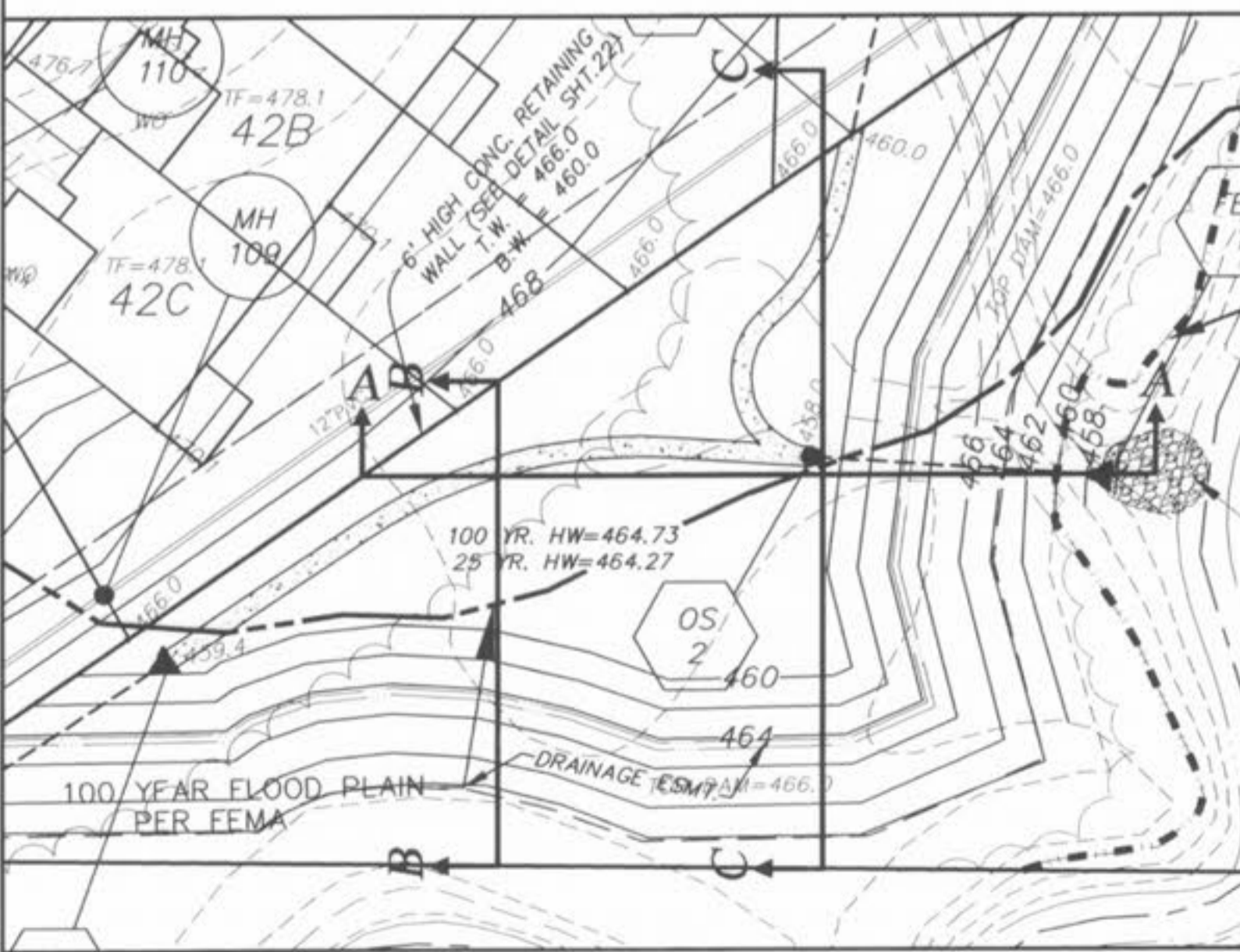
SECTION "A"

SECTION "B"

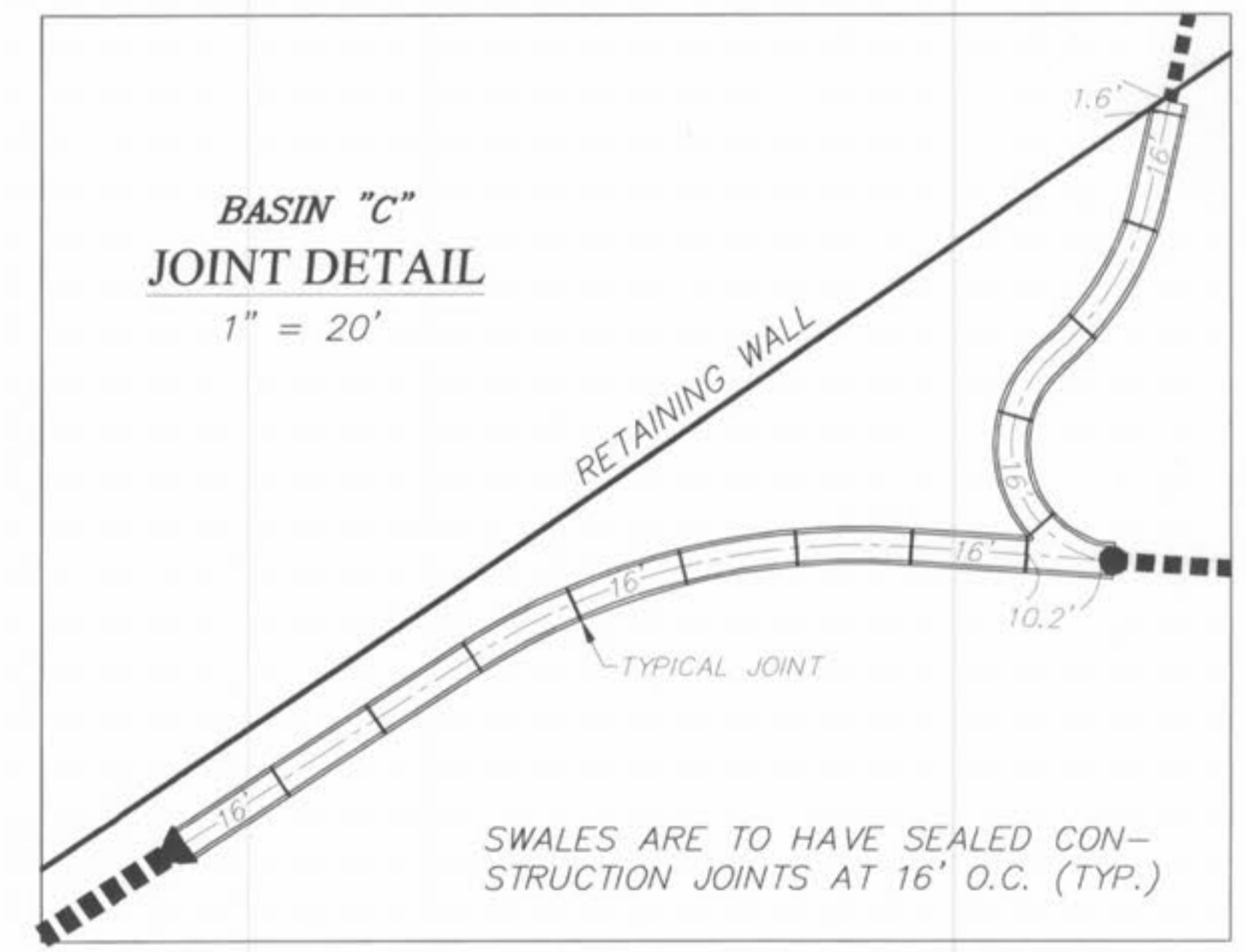
SECTION "C"

BASIN "C"

HORIZONTAL SCALE: 1" = 50'
VERTICAL SCALE: 1" = 10'



BASIN "C"
SCALE: 1" = 30'



PICKETT RAY & SILVER
CIVIL ENGINEERS
PLANNERS
LAND SURVEYORS

333 Mid Rivers Mall Drive
St. Peters, MO 65376
Phone (636) 397-1211
Fax (636) 397-1104

VILLAS AT CRYSTAL RIDGE
DETENTION BASIN DETAILS

Prepared For:
SUMMIT POINTE L.C.

239 FOX HILL ROAD
S. CHARLES, MO. 63301
(636) 940-9390

NO.	DATE	REV.	BY	DESCRIPTION
1	6-24-03	REV.	PER CITY OF FALLON	
2	8/12/03	REV.	PER CITY OF FALLON	

ENGINEERS AUTHENTICATION
The responsibility for professional engineering liability on this project is hereby limited to the set of plans authenticated by the seal, signature, and date hereunder attached. Responsibility is disclaimed for all other engineering plans involved in this project and specifically excludes revisions after this date unless reauthenticated.

PICKETT, RAY & SILVER, INC.

STATE OF MISSOURI
ELMER ANTHONY
REGISTERED PROFESSIONAL ENGINEER
NUMBER
E-18146
8/12/03

DRAWN	E.J.S.	DATE	04/09/03
CHECKED	D.W.D.	DATE	04/09/03
PROJECT #	01212.SUPO.02R		
TASK #	2	FIELD BOOK	X