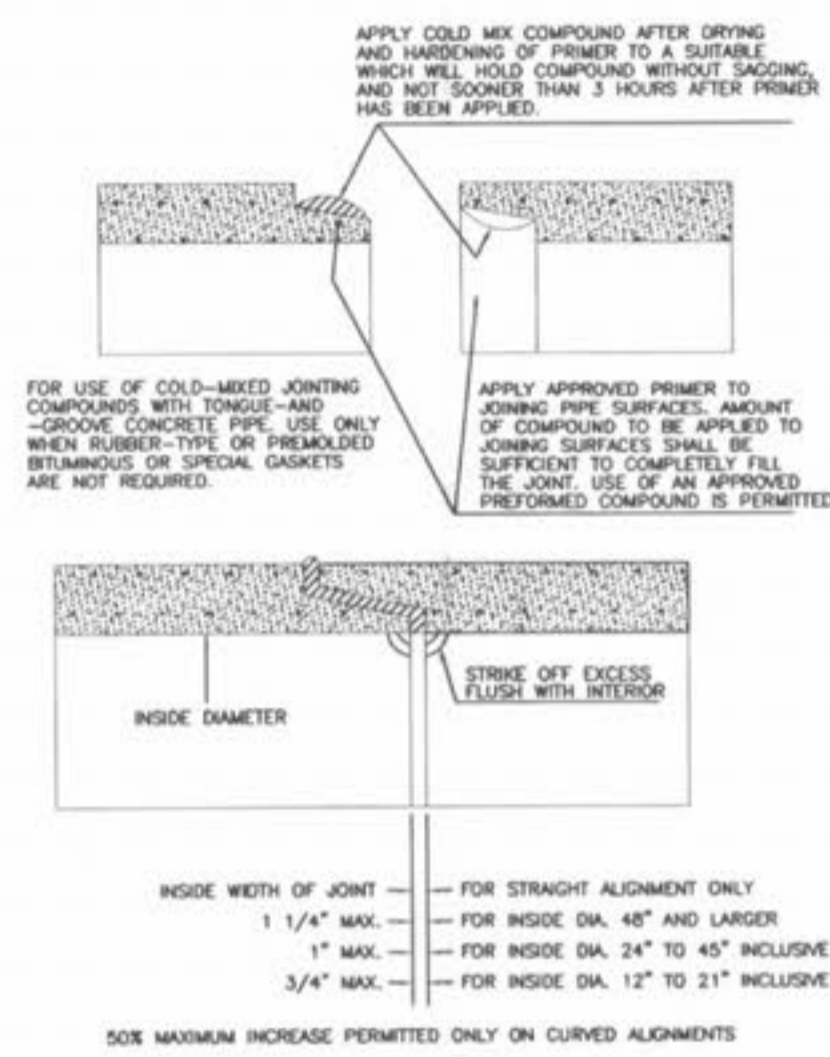
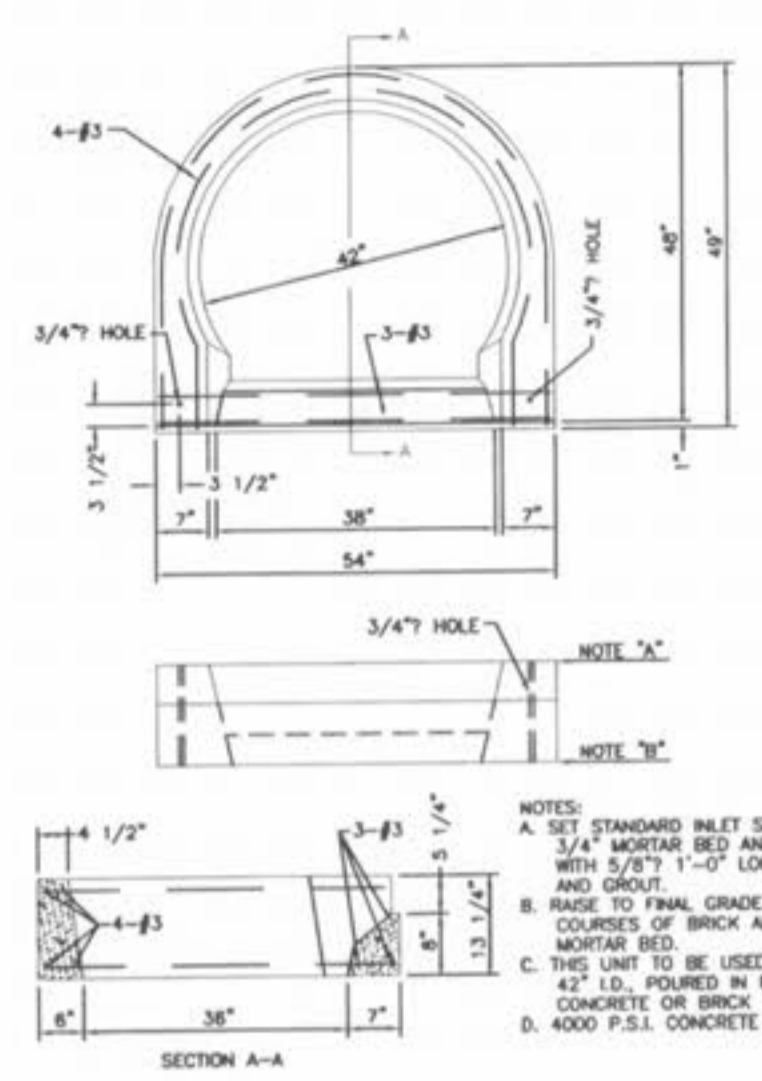


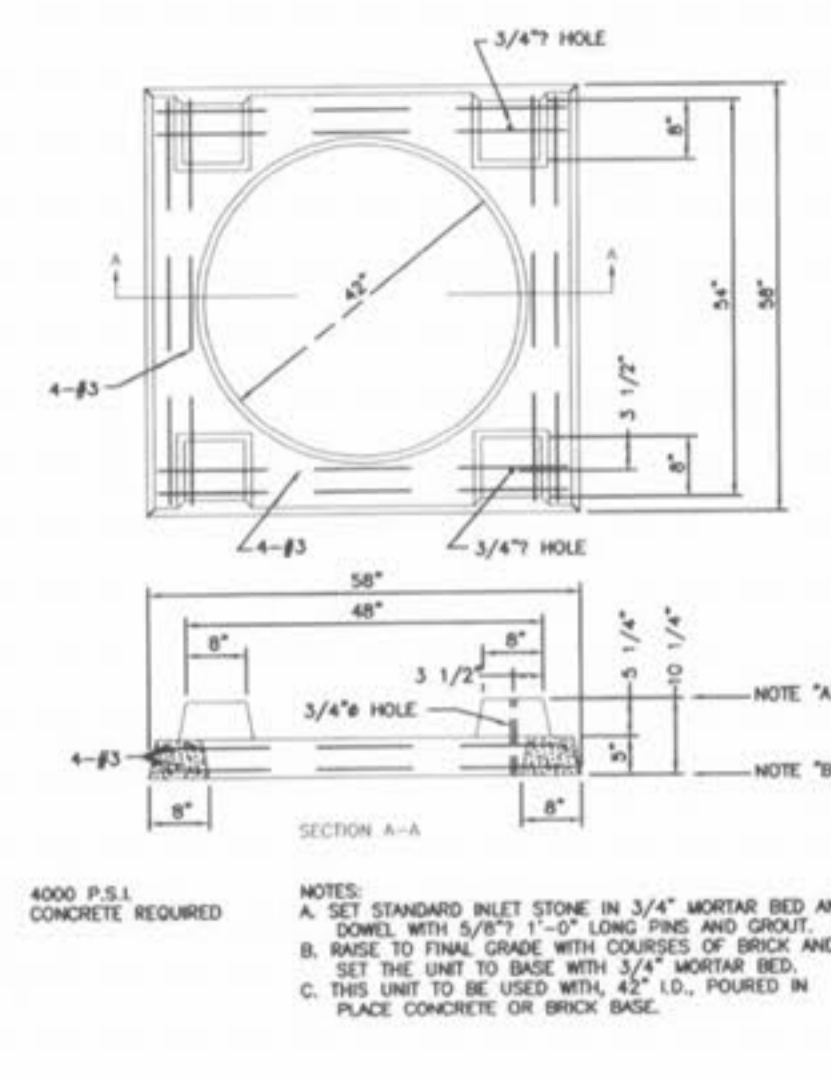
FORCE MAIN CLEANOUT  
(6" DIA. & SMALLER)



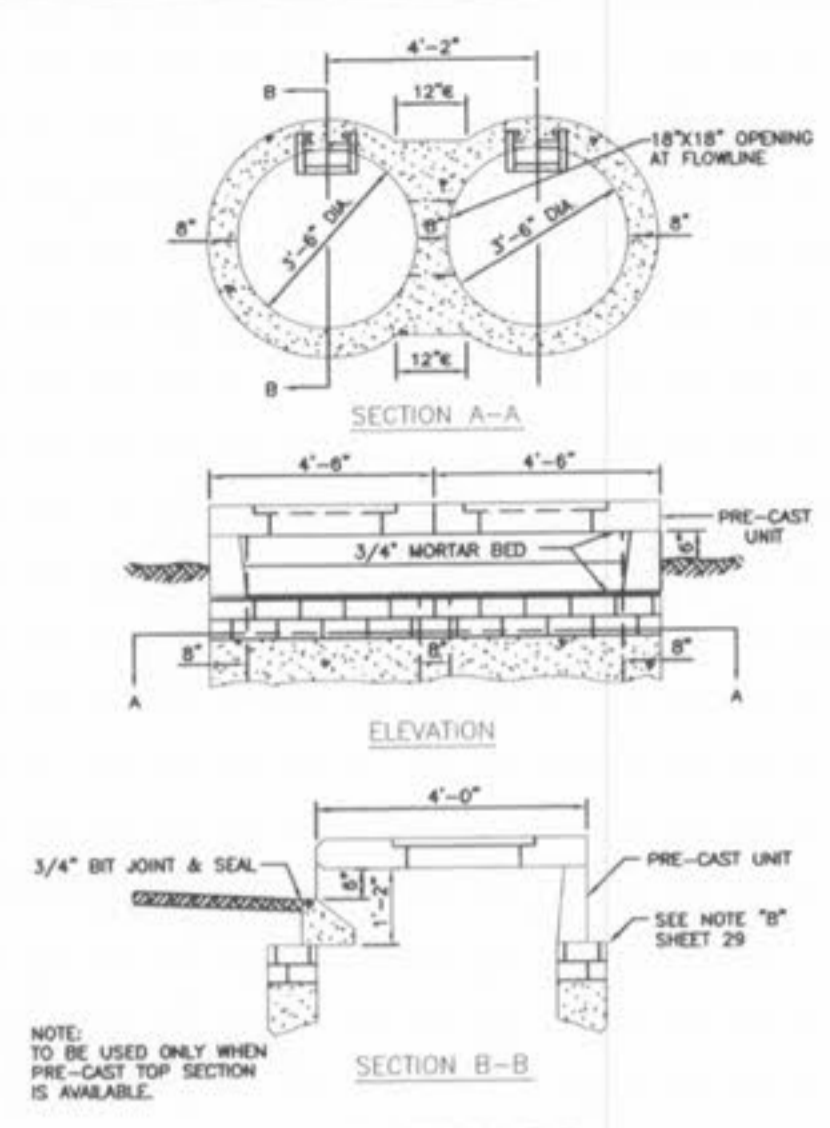
TONGUE AND GROOVE  
CONCRETE PIPE JOINTS



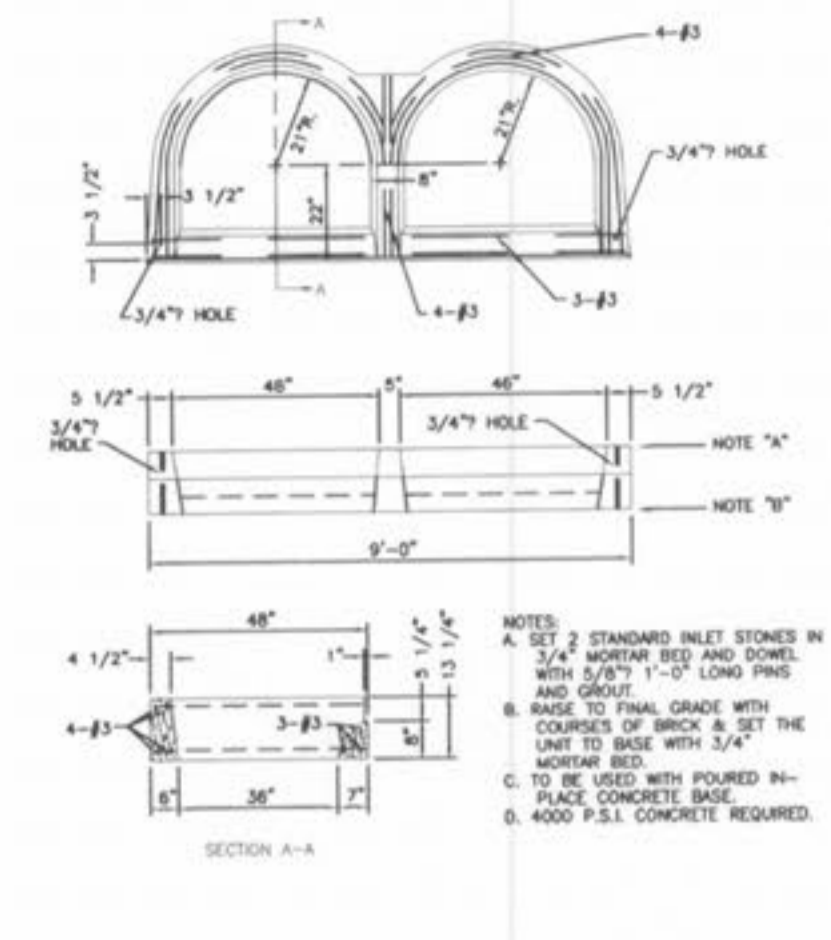
PRECAST CONCRETE UNIT  
FOR  
SINGLE CURB INLET



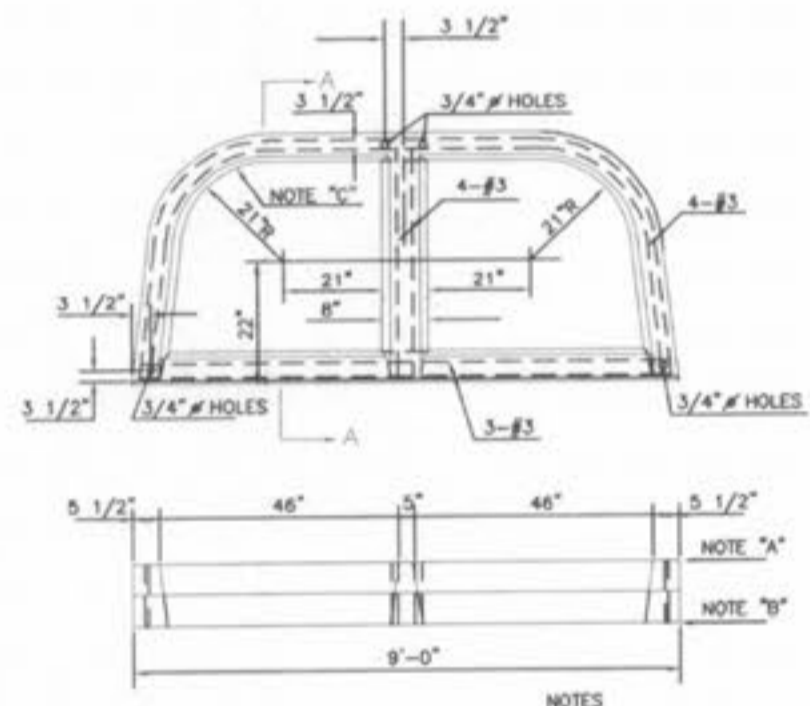
PRECAST CONCRETE UNIT  
FOR  
4-WAY AREA INLET



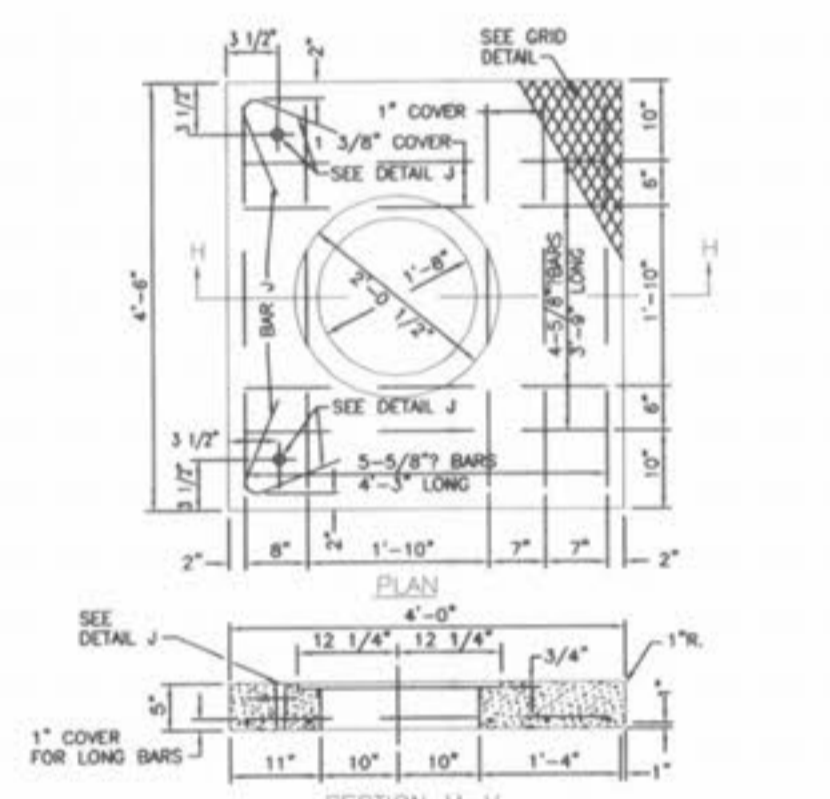
CONCRETE DOUBLE  
STREET INLET  
W/PRE-CAST TOP UNIT



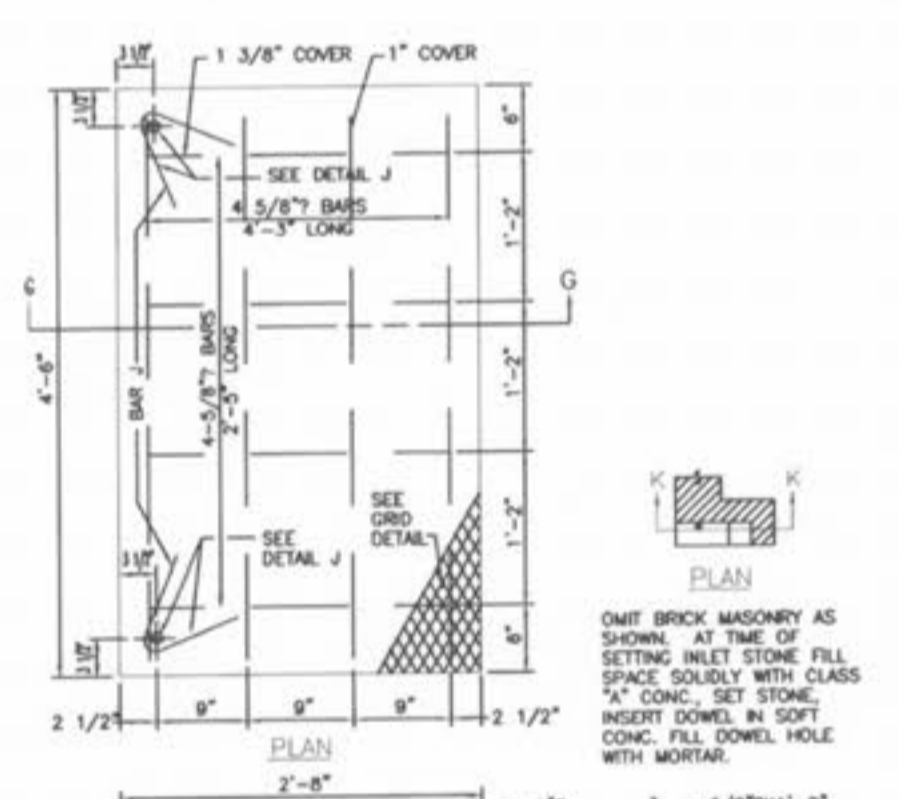
PRECAST CONCRETE UNIT FOR  
DOUBLE CURB INLET  
(WITH CONCRETE BASE)



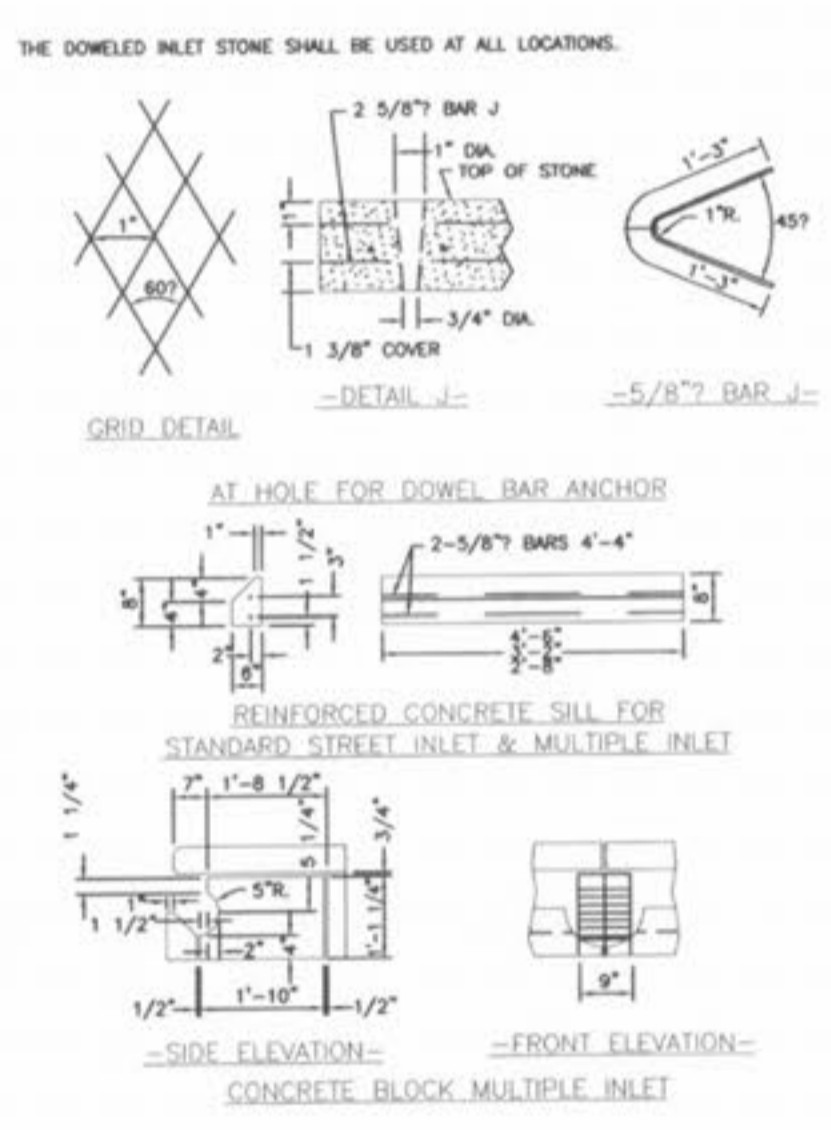
PRE-CAST CONCRETE UNIT FOR  
DOUBLE CURB INLET  
(WITH BRICK BASE)



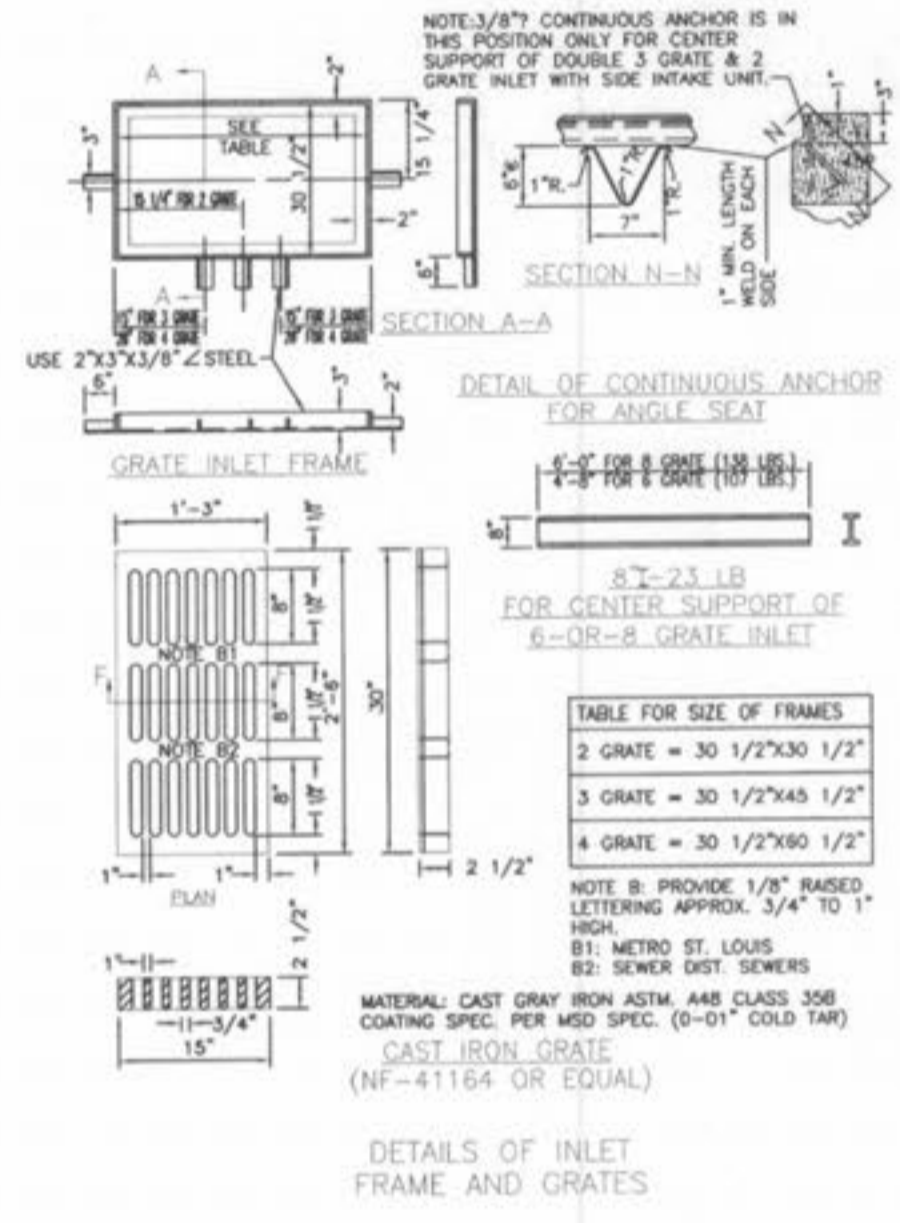
STANDARD - INLET  
STONES, BLOCKS &  
DESIGN DETAILS



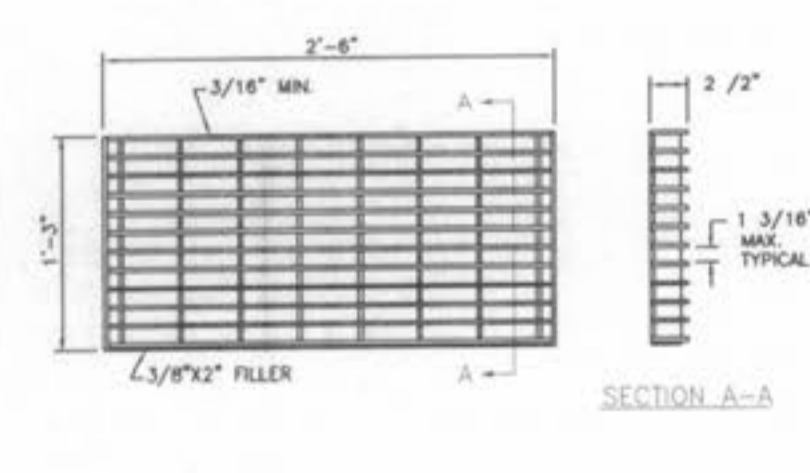
REINFORCED CONCRETE STONE FOR ADDITIONAL  
UNITS OF MULTIPLE UNIT INLET



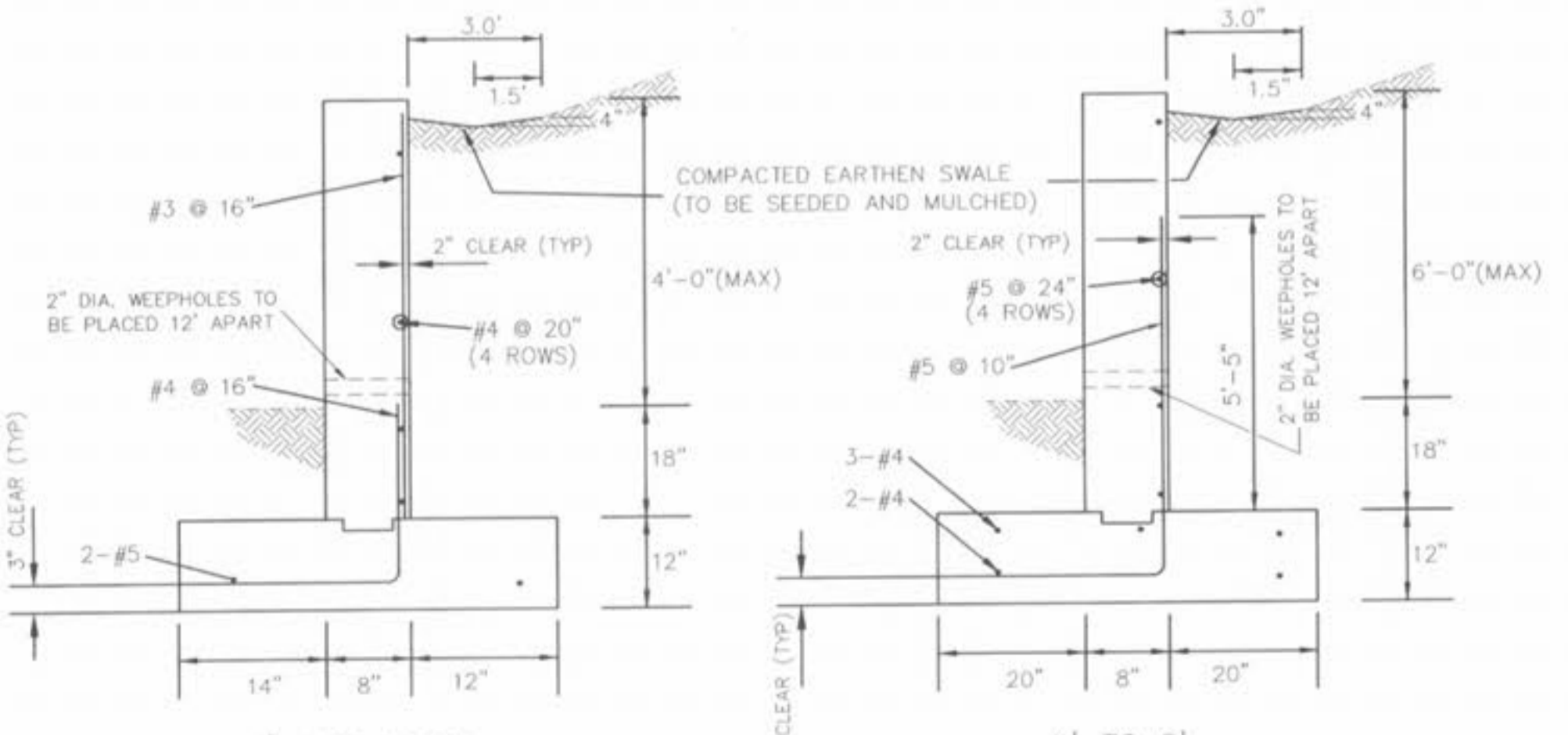
CONCRETE BLOCK MULTIPLE INLET



DETAILS OF INLET  
FRAME AND GRATES

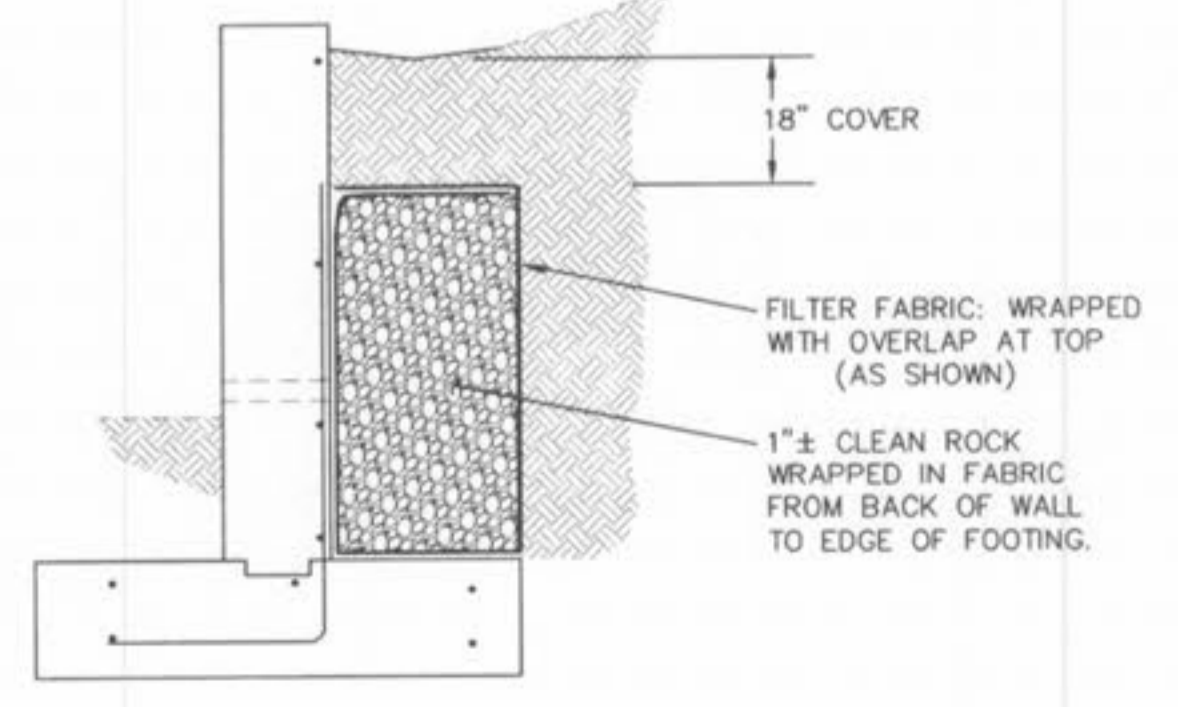


DETAIL OF STEEL GRATE  
(ALTERNATE TO  
CAST IRON "C" GRATE)



4' AND DOWN  
RETAINING WALL  
DETAIL  
N.T.S.

4' TO 6'  
RETAINING WALL  
DETAIL  
N.T.S.



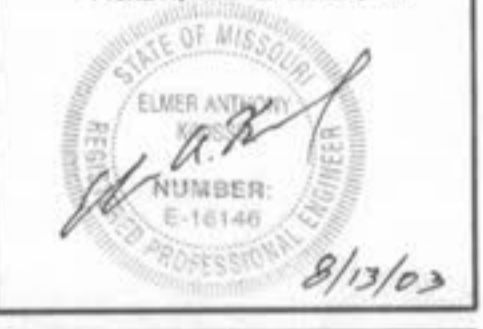
RETAINING WALL  
DETAIL  
N.T.S.

**PICKETT RAY & SILVER**  
CIVIL ENGINEERS  
PLANNERS  
LAND SURVEYORS  
333 Mid Rivers Mall Drive  
St. Peters, MO 63376  
Phone (636) 397-1211  
Fax (636) 397-1104

**VILLAS AT CRYSTAL RIDGE**  
CONSTRUCTION DETAILS  
Prepared For:  
**SUMMIT POINTE L.C.**  
230 FOX HILL ROAD  
ST. CHARLES, MO 63301  
(636) 948-9300

REVISIONS	DATE	REVISED PER CITY OF ST. LOUIS
1	8/11/03	

**ENGINEERS AUTHENTICATION**  
The responsibility for professional engineering liability on this project is hereby limited to the set of plans authenticated by the seal, signature, and date hereunder attached. Responsibility is disclaimed for all other engineering plans involved in this project and specifically excludes revisions after this date unless reauthenticated.



DRAWN	DATE
E.V.S.	04/09/03
CHECKED	DATE
D.W.D.	04/09/03
PROJECT #	01212.SUP0.02R
TASK #	2 FIELD BOOK