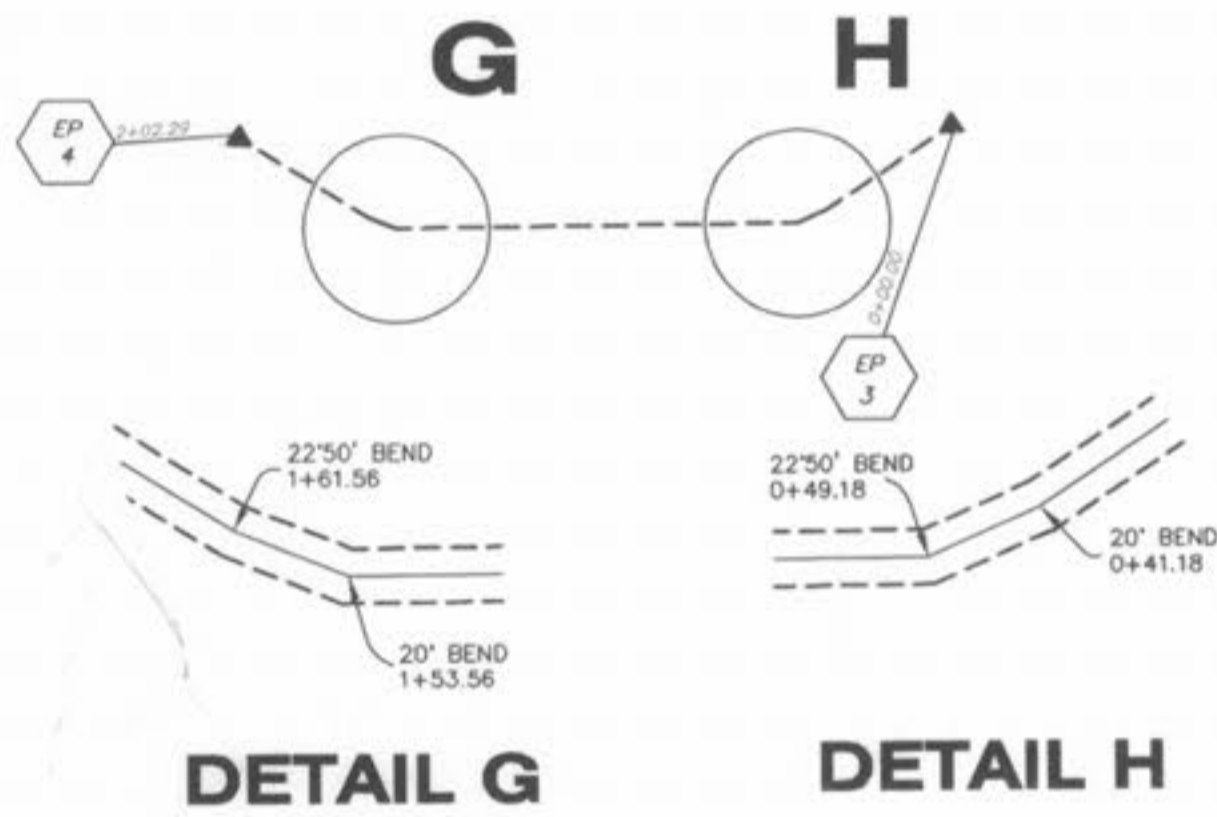


42" RCP BEND DETAILS

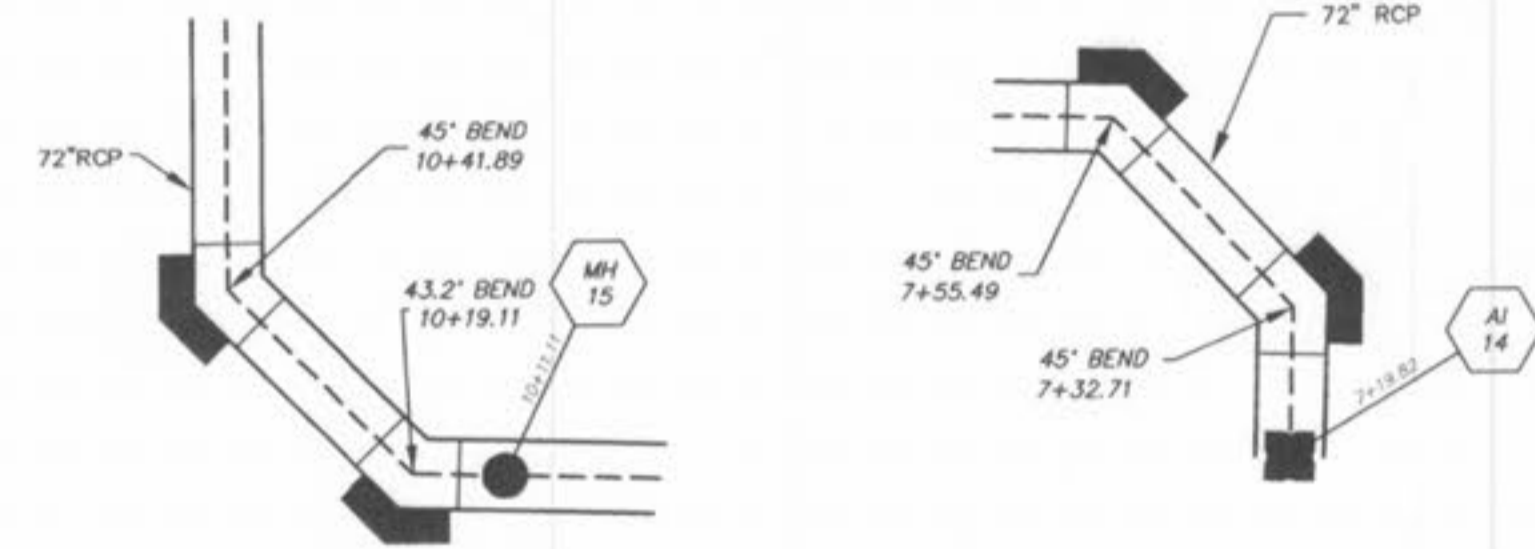
NOT TO SCALE
NOTE: ALL BENDS ARE 8' SECTIONS



72" RCP BEND DETAILS

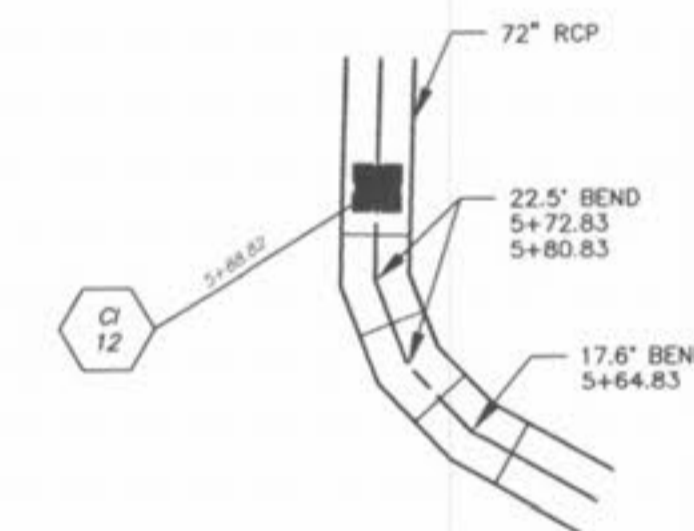
NOT TO SCALE
NOTE: ALL BENDS ARE 8' SECTIONS

NOTE: ALL RISERS ARE TO BE CAST IN PIPE (SEE DETAIL SHEET).
NOTE: ALL STORM SEWERS ARE TO HAVE "O" RING GASKETED PIPE.

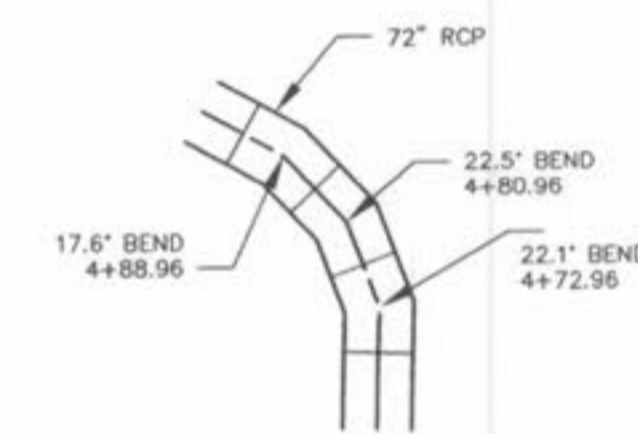


DETAIL A

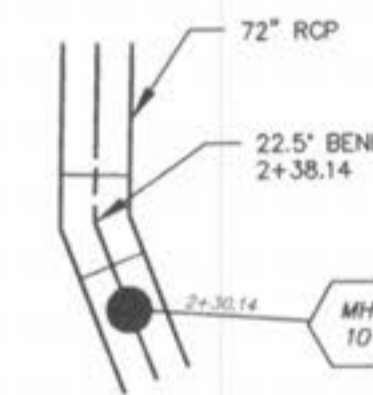
DETAIL B



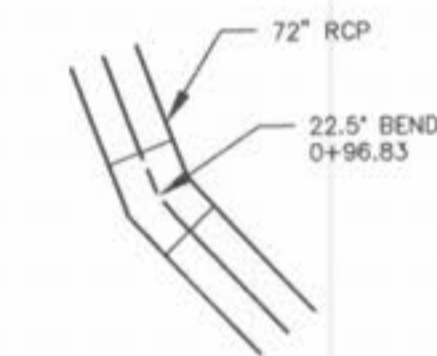
DETAIL C



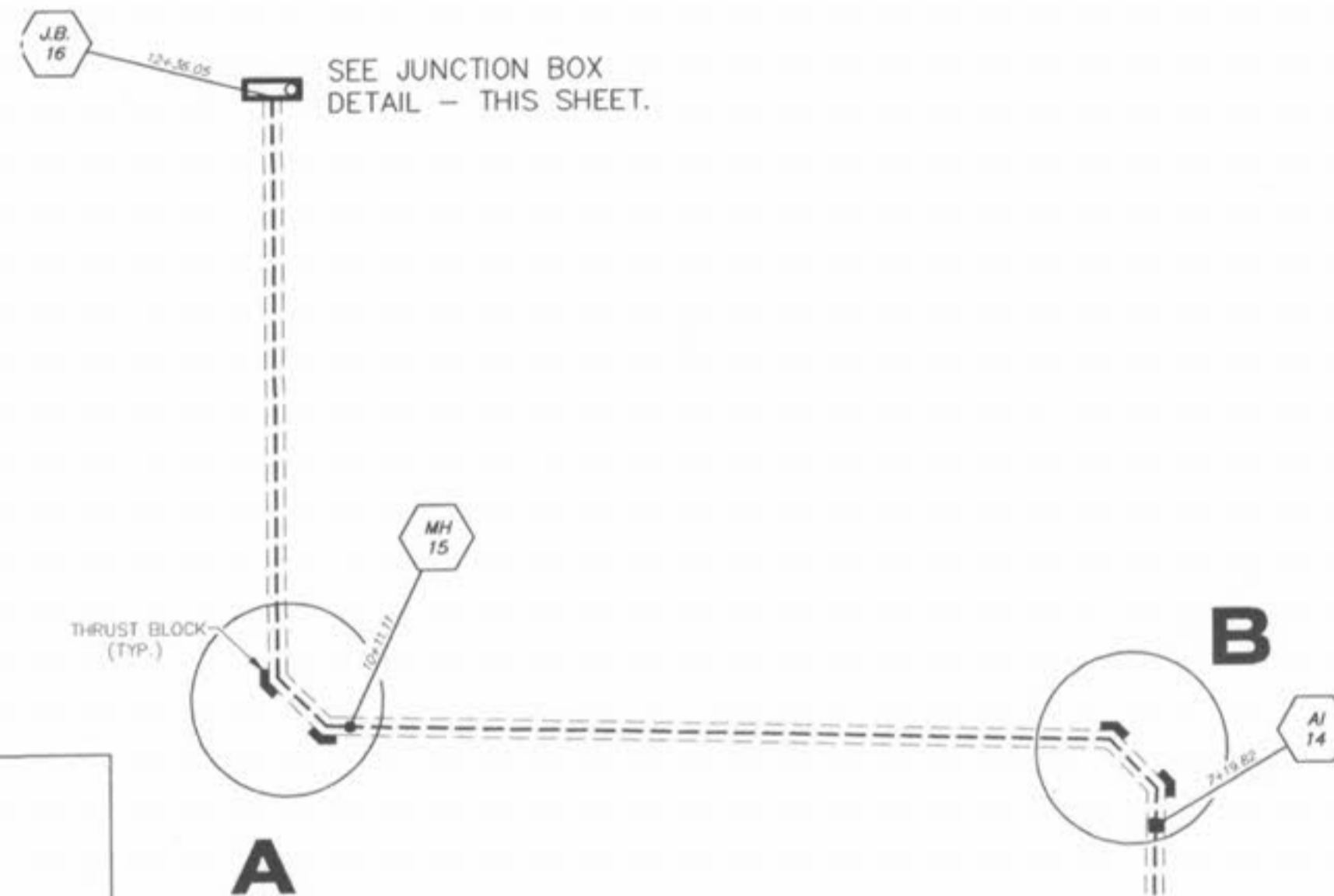
DETAIL D



DETAIL E



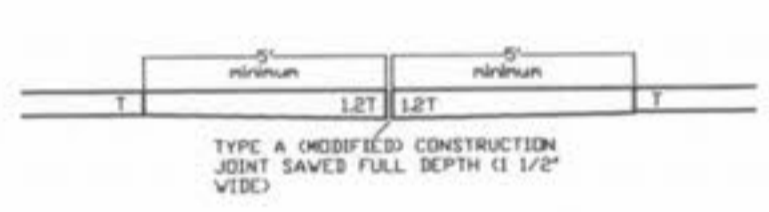
DETAIL F



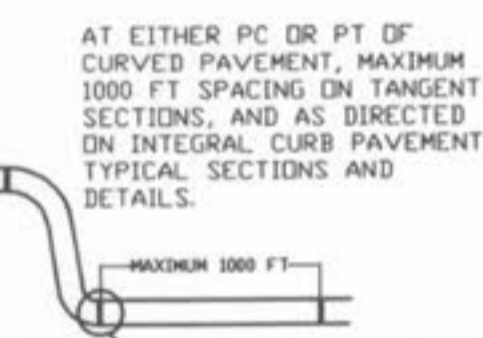
NOTES:

1. THE NUMBER OF BACKER RODS REQUIRED WILL VARY WITH THE PAVEMENT THICKNESS. BACKER RODS AND FLEXIBLE FOAM FILLER MUST EXTEND THROUGH THE FULL DEPTH OF THE PAVEMENT.
2. JOINT FILLER SHALL BE A FLEXIBLE, NON-ABSORBENT, NON-GASSING, NON-STAINING, NON-SHRINKING MATERIAL, EXTRUDED FROM A CLOSED-CELL POLYMER, ASTM D-5249.
3. JOINT FILLER COMPOSED OF CELLULAR FIBERS, ASTM D-1751, MAY BE USED AT DRIVEWAY, SIDEWALK, AND SEWER INLET AND MANHOLE LOCATIONS.
4. SEE "INTEGRAL CURB DETAIL 'B' AT DRIVEWAYS" FOR EXPANSION JOINT REQUIREMENTS AT DRIVEWAY CONNECTIONS TO THE STREET AND THE GARAGE.

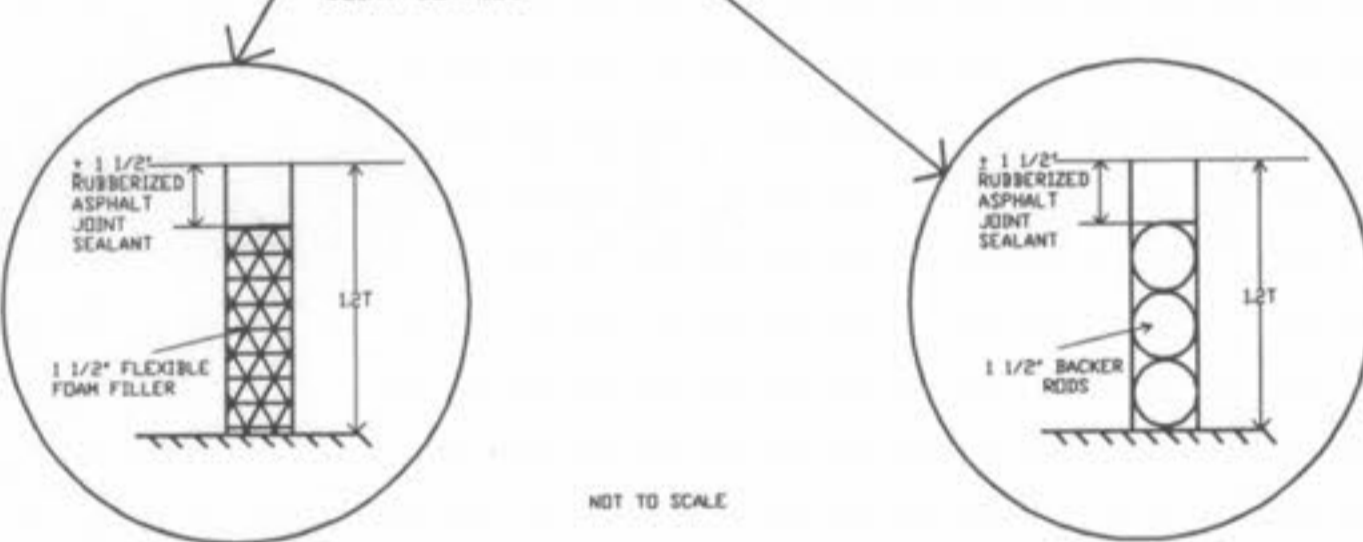
TYPE A (MODIFIED) CONSTRUCTION JOINT



JOINT LOCATION

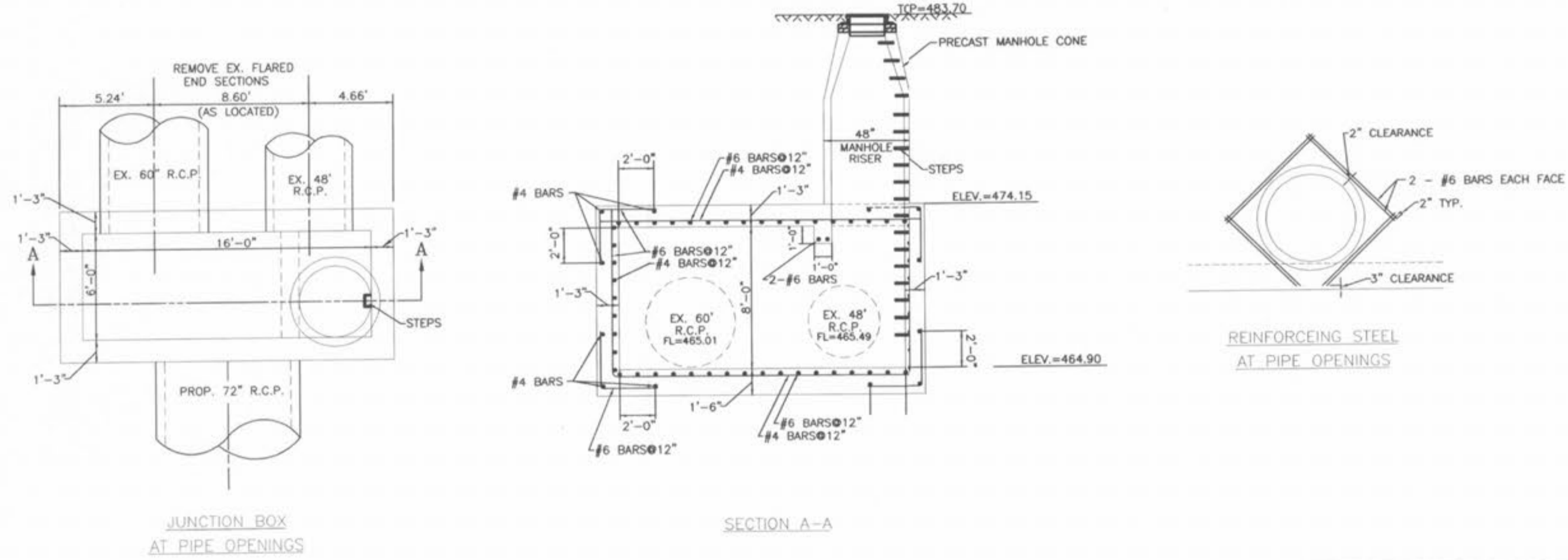


JOINT DETAILS



NOT TO SCALE

SANIT CHARLES COUNTY HIGHWAY DEPARTMENT
ST. CHARLES, MISSOURI
PAVEMENT CONSTRUCTION DETAILS
Type "A" Expansion Joint
DRAWN: J.S. DATE: 03/03
CHECKED: D.W.D. DATE: 03/03



VILLAS AT CRYSTAL RIDGE
CONSTRUCTION DETAILS

Prepared For:
SUMMIT POINTE L.C.

REVISIONS	NO.	DATE	DESCRIPTION
1	6-24-03	REVISED PER CITY OF FALLON	
2	8/11/03	REVISED PER CITY OF FALLON	
3	9-18-03	REVISED PER CITY OF FALLON	

ENGINEERS AUTHENTICATION
The responsibility for professional engineering liability on this project is hereby limited to the set of plans authenticated by the seal, signature, and date hereunder attached. Responsibility is disclaimed for all other engineering plans involved in this project and specifically excludes revisions after this date unless reauthenticated.

PICKETT RAY & SILVER, INC.
STATE OF MISSOURI
ELMER ANTHONY
NUMBER: E-6144
REGISTERED PROFESSIONAL ENGINEER
2/18/03

DRAWN	E.J.S.	DATE	03/20/03
CHECKED	D.W.D.	DATE	03/20/03
PROJECT #	01212.SUPD.02R	TASK #	2
FIELD BOOK			

PICKETT RAY & SILVER
CIVIL ENGINEERS
PLANNERS
LAND SURVEYORS
333 Mid Rivers Mall Drive
St. Peters, MO 63376
Phone (636) 397-1211
Fax (636) 397-1104