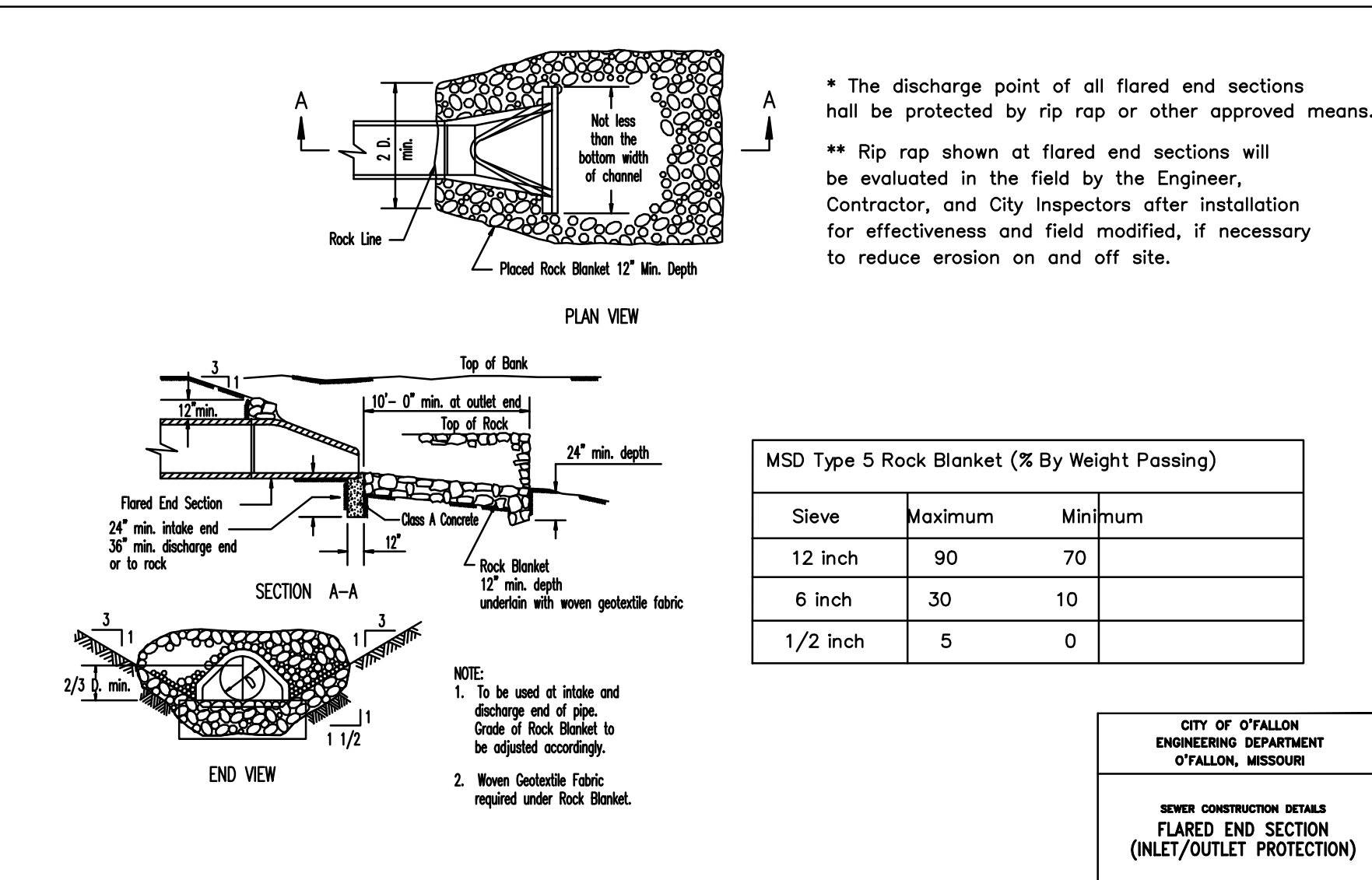


Note: At connections of 4" perforated pipe to sewer structure use an approved water stop gasket.

CITY OF O'FALLON  
ENGINEERING DEPARTMENT  
O'FALLON, MISSOURI

**CLASS A UNDERDRAINS**



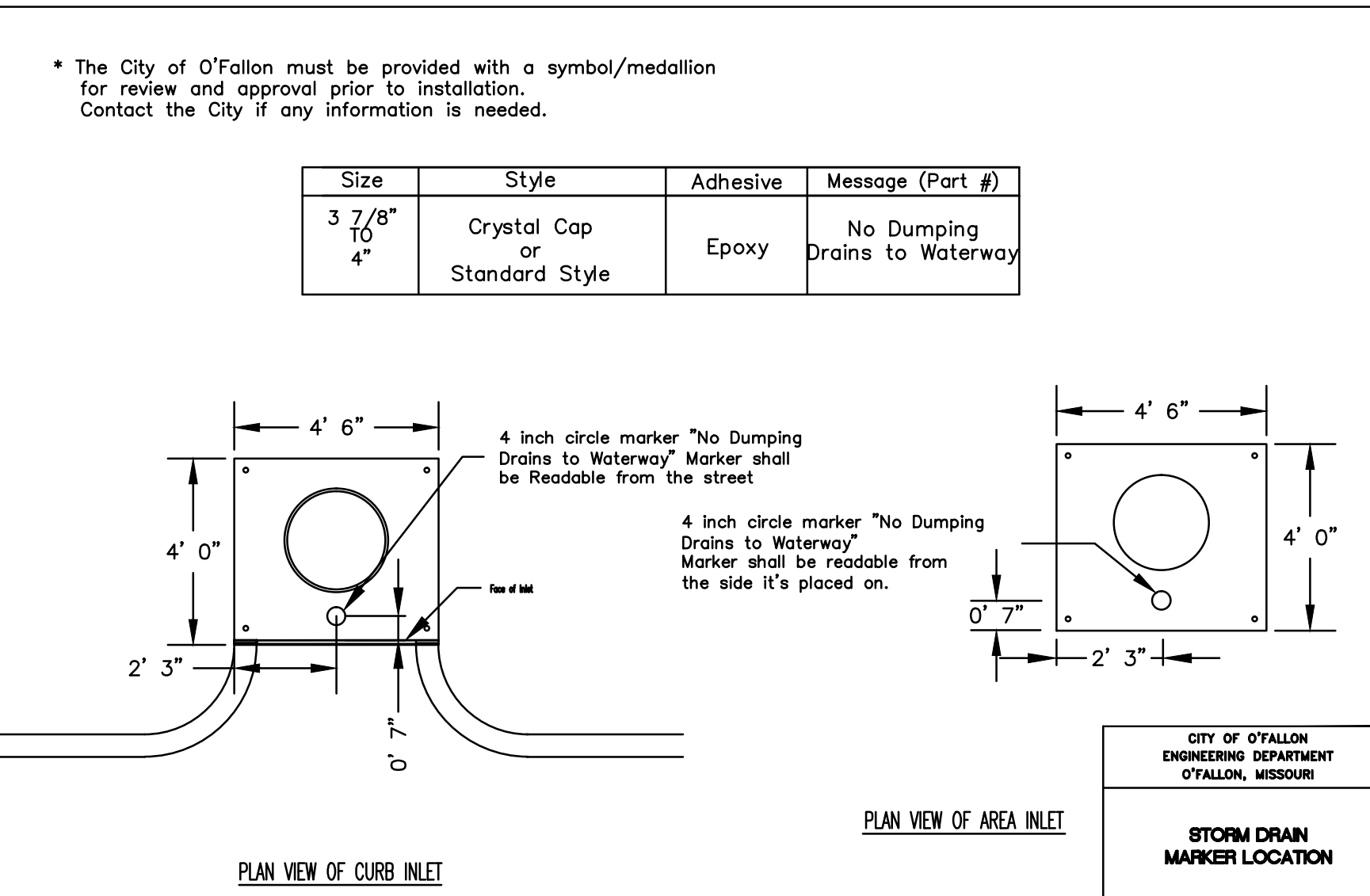
MSD Type 5 Rock Blanket (% By Weight Passing)

Sieve	Maximum	Minimum
12 inch	90	70
6 inch	30	10
1/2 inch	5	0

NOTE:  
1. To be used at intake and discharge end of pipe. Grade of Rock Blanket to be adjusted accordingly.  
2. Woven Geotextile Fabric required under Rock Blanket.

CITY OF O'FALLON  
ENGINEERING DEPARTMENT  
O'FALLON, MISSOURI

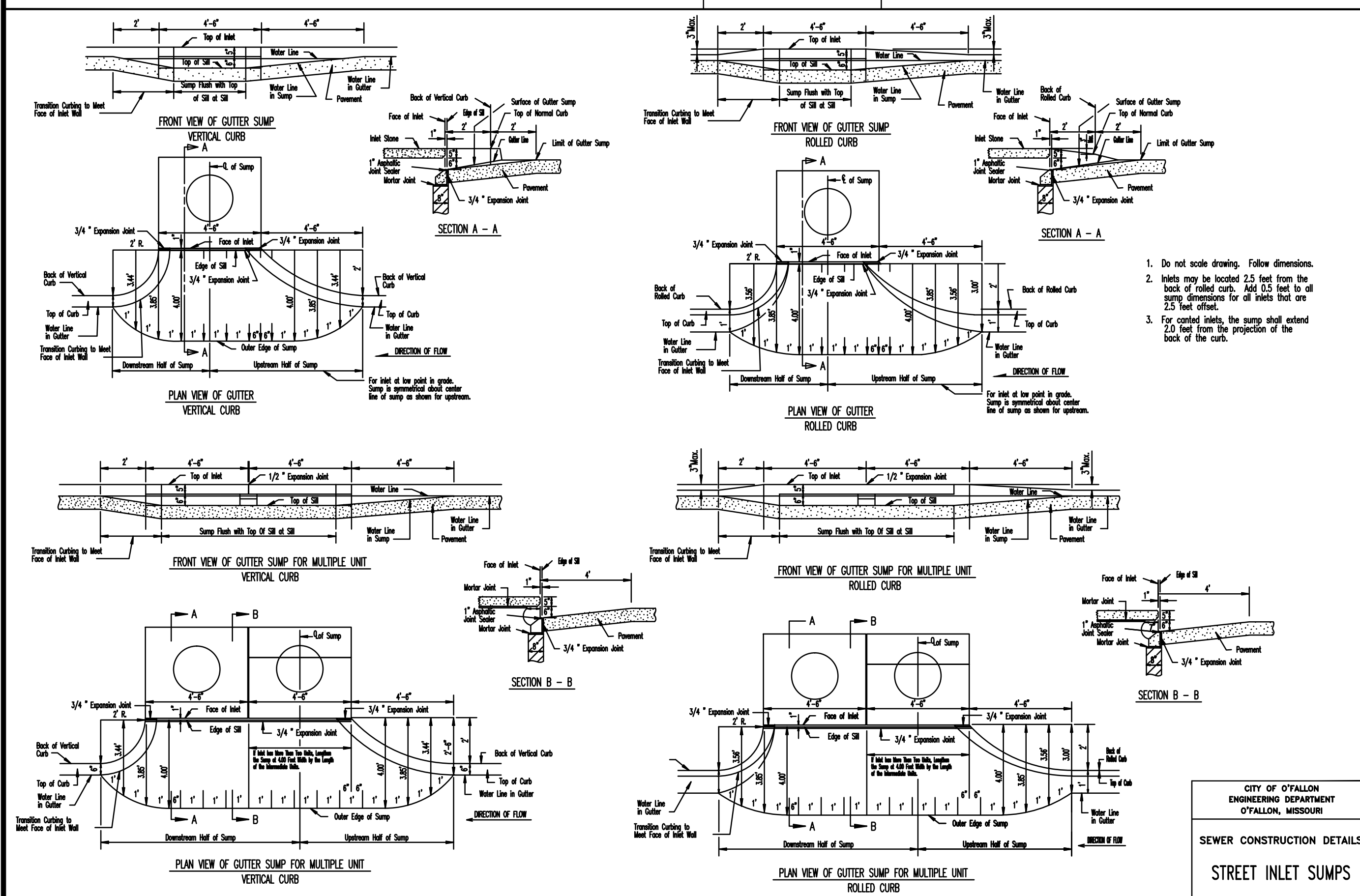
SEWER CONSTRUCTION DETAILS  
FLARED END SECTION  
(INLET/OUTLET PROTECTION)



Size	Style	Adhesive	Message (Part #)
3 7/8" to 4"	Crystal Cap or Standard Style	Epoxy	No Dumping Drains to Waterway

CITY OF O'FALLON  
ENGINEERING DEPARTMENT  
O'FALLON, MISSOURI

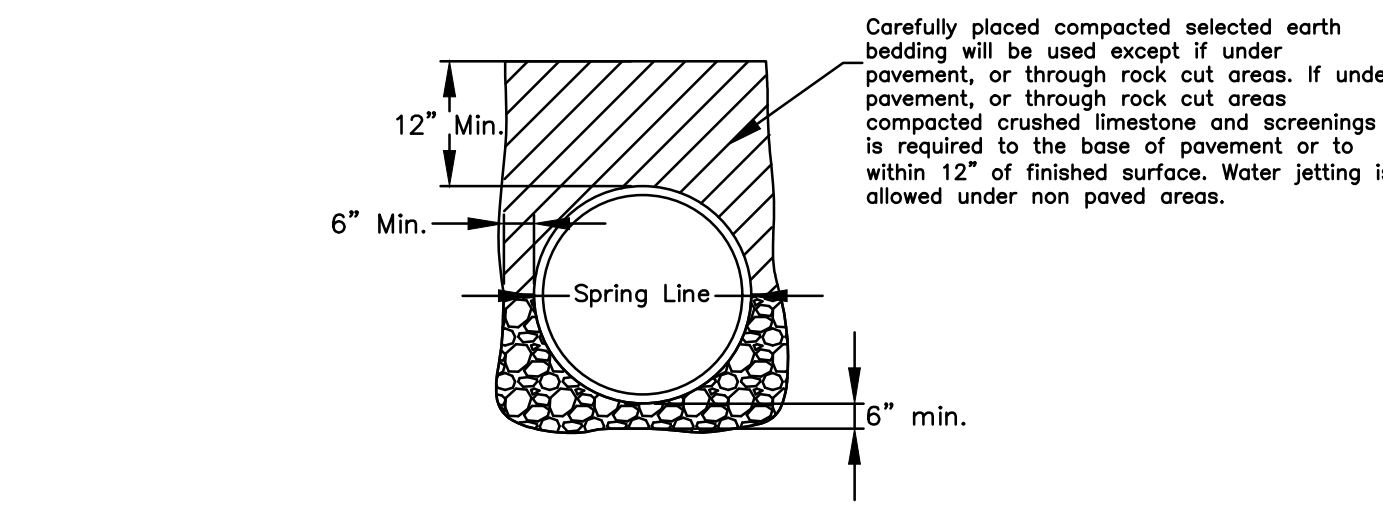
**STORM DRAIN MARKER LOCATION**



1. Do not scale drawing. Follow dimensions.  
2. Inlets may be located 2.5 feet from the back of rolled curb. Add 0.5 feet to all sump dimensions for all inlets that are 2.5 feet offset.  
3. For coated inlets, the sump shall extend 2.5 feet from the projection of the back of the curb.

CITY OF O'FALLON  
ENGINEERING DEPARTMENT  
O'FALLON, MISSOURI

SEWER CONSTRUCTION DETAILS  
STREET INLET SUMPS



CITY OF O'FALLON  
ENGINEERING DEPARTMENT  
O'FALLON, MISSOURI

**TRENCH DETAIL**

- \* All other Storm or Sanitary Sewer Details will be by M.S.D. 2007 Standards and Specifications.
- \* Add #5 bar to the throat of all inlets. 5/8" trash bar shall be centered within the opening(s) of all inlets.
- \* Brick construction shall not be used on manholes or inlets.
- \* Pre-cast concrete inlets and manhole covers shall not be used.

**THD DESIGN GROUP, INC.**  
"your solution for engineering and surveying"  
COPYRIGHT 2016  
148 CHESTERFIELD INDUSTRIAL BLVD. CHESTERFIELD, MO 63005  
TEL: 636-594-3972  
WEB: THDDESIGNGROUP.COM

**PROJECT TITLE:**  
CULVERS OF O'FALLON-  
BRAMBLETT CROSSING

Owner Info: Hoerman Family, LP  
Developer/Owner Under Contract: KK+G, LLC.  
Contact: Allen Walz  
1920 Jefferson Street  
Jefferson City, MO 65109

**Storm and Sanitary Sewer Construction Details**

P+Z No.: 3805.08.02  
Approval Date:  
01/07/2016  
City No.