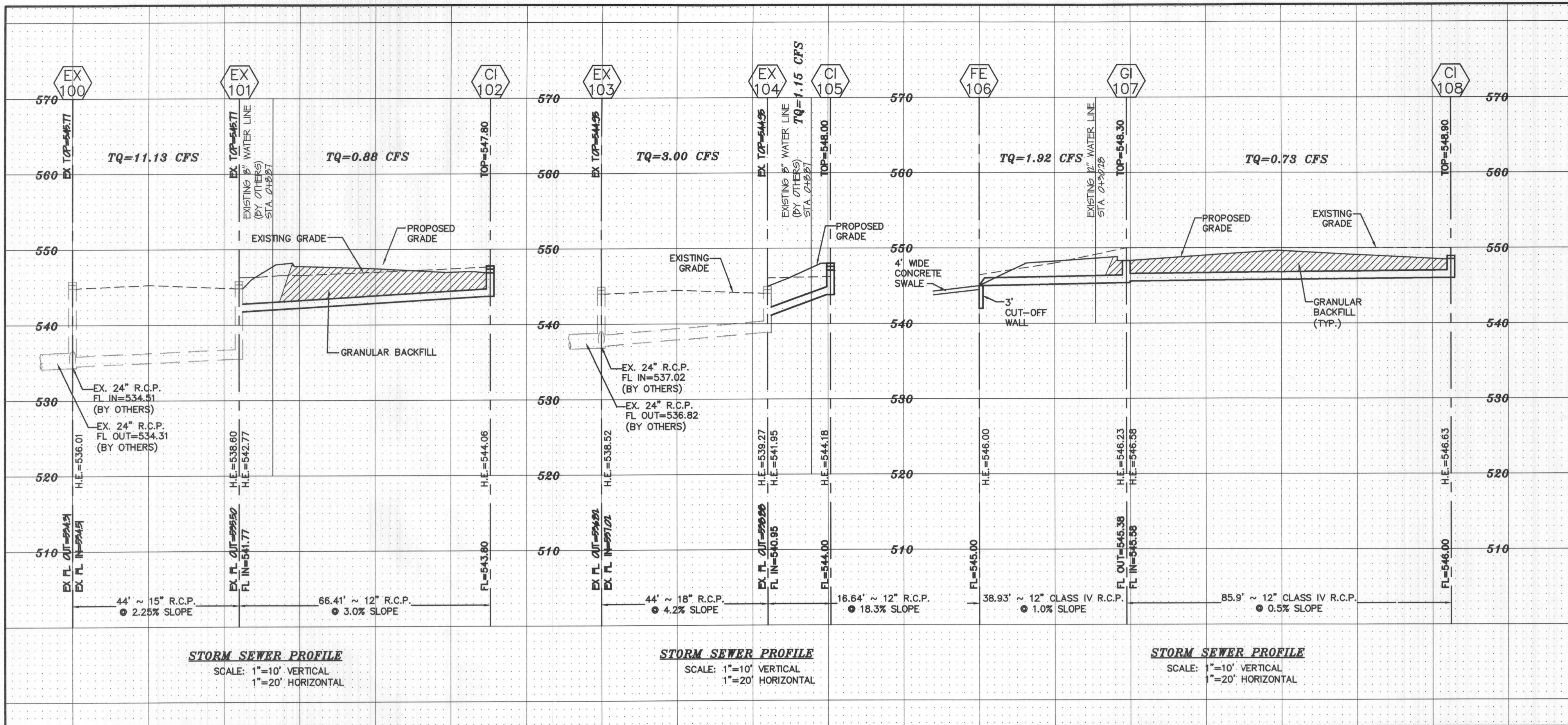


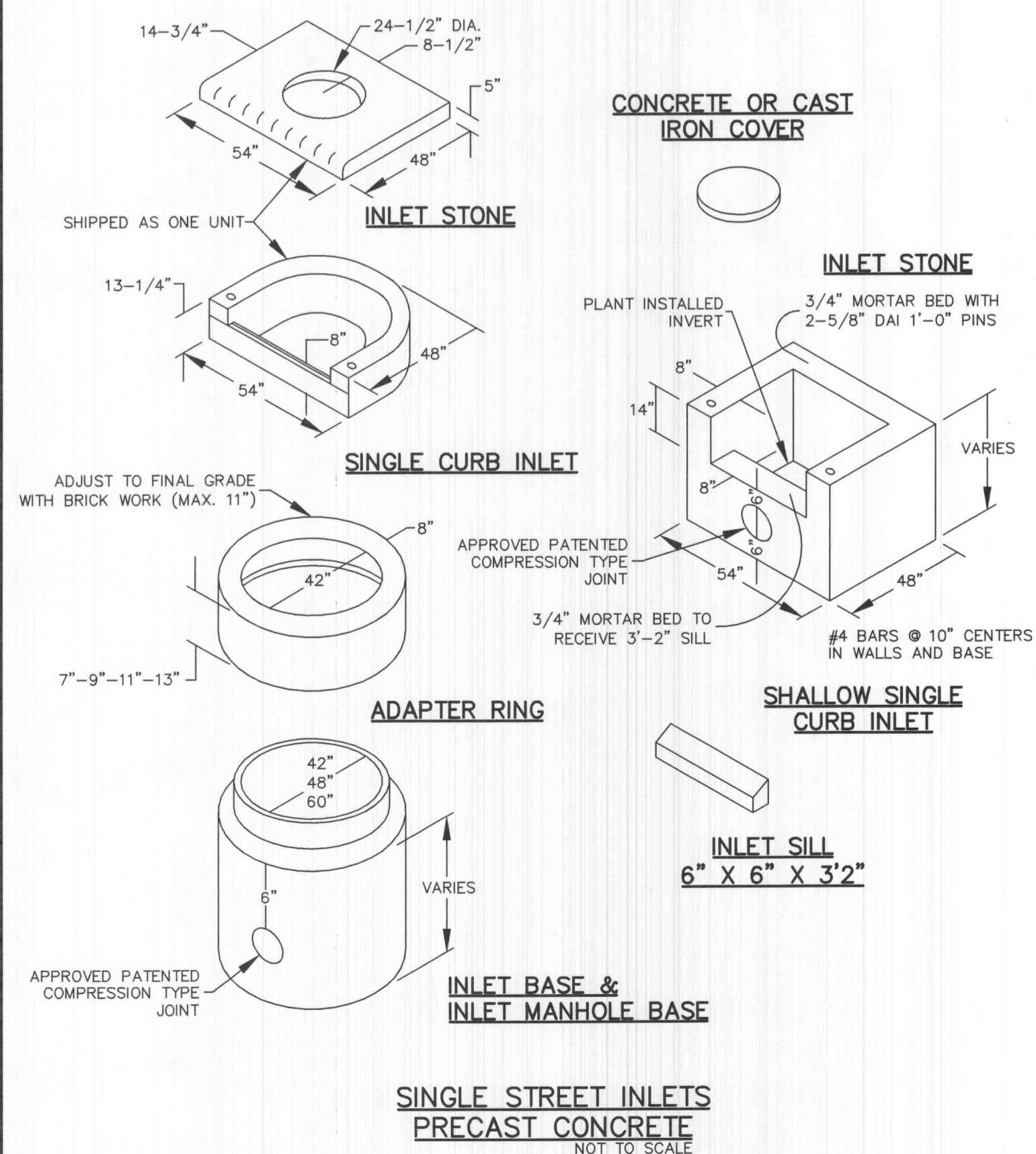
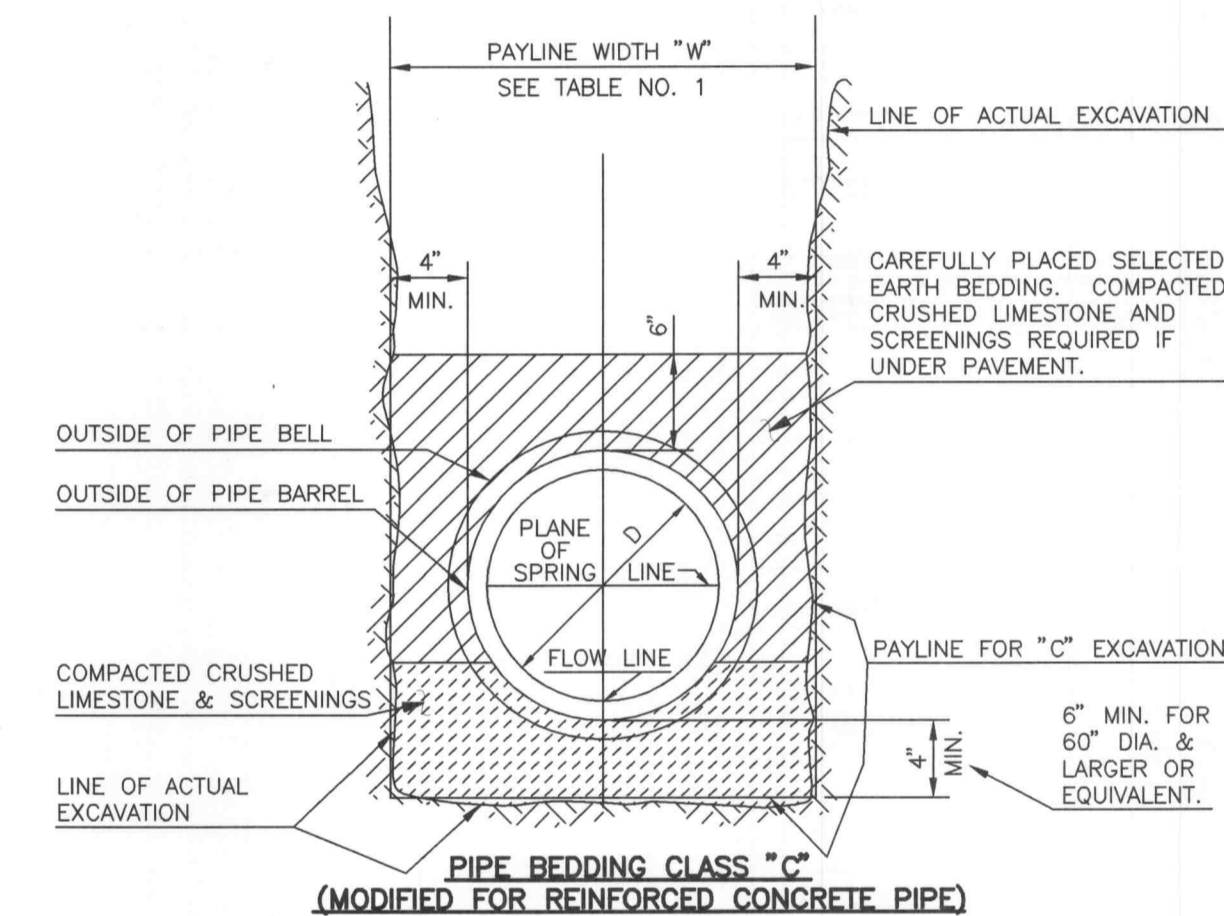
**REVISIONS**  
 07-28-03 CITY COMMENTS  
 08-11-03 MoDOT  
 08-11-03 CITY COMMENTS  
 08-19-03 CITY COMMENTS  
 09-23-03 CITY COMMENTS



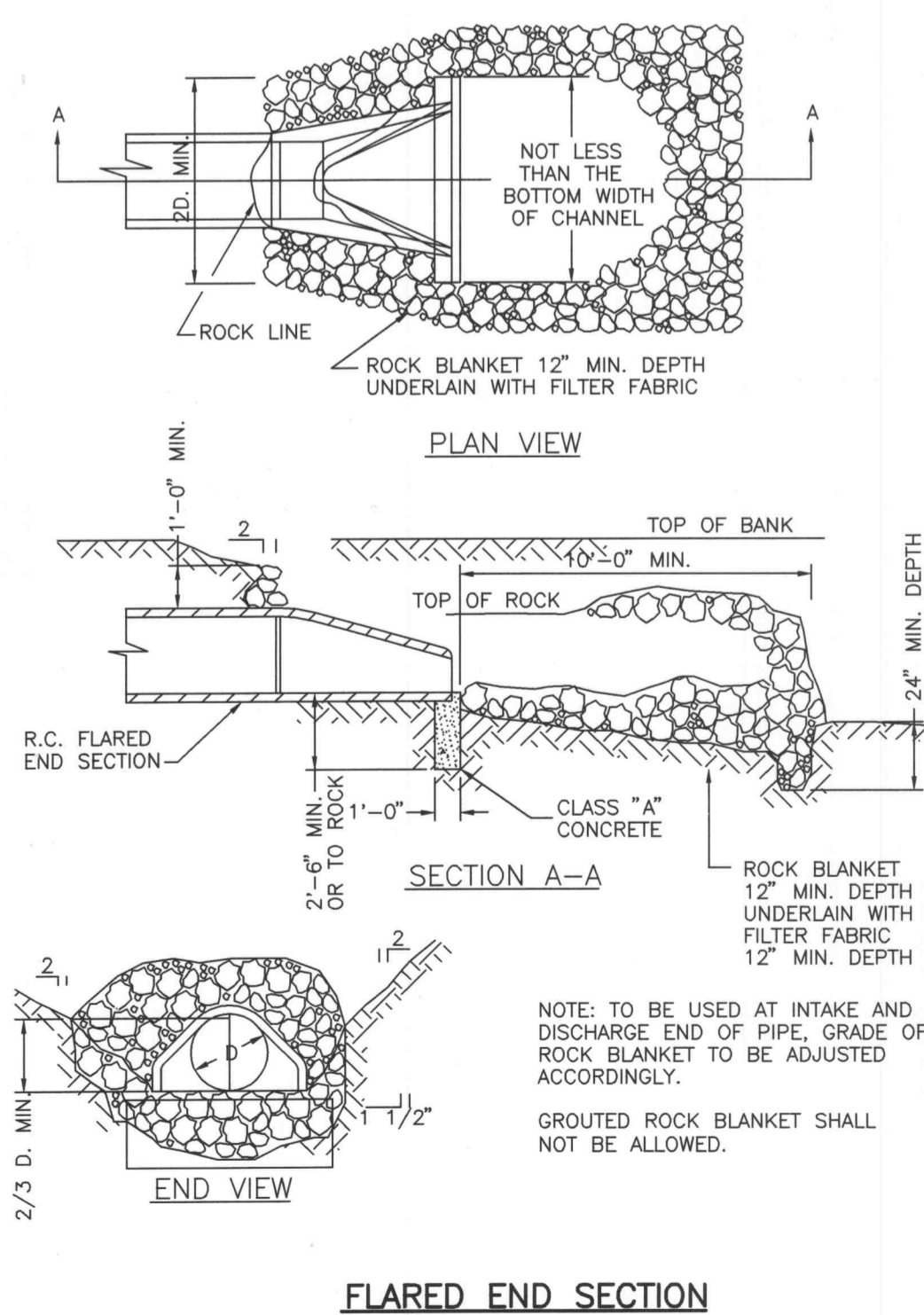
**STORM SEWER PROFILE**  
 SCALE: 1"=10' VERTICAL  
 1"=20' HORIZONTAL

**STORM SEWER PROFILE**  
 SCALE: 1"=10' VERTICAL  
 1"=20' HORIZONTAL

**STORM SEWER PROFILE**  
 SCALE: 1"=10' VERTICAL  
 1"=20' HORIZONTAL

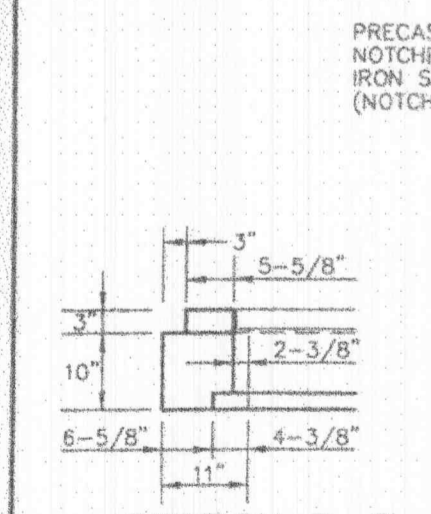


**SINGLE STREET INLETS  
 PRECAST CONCRETE**  
 NOT TO SCALE

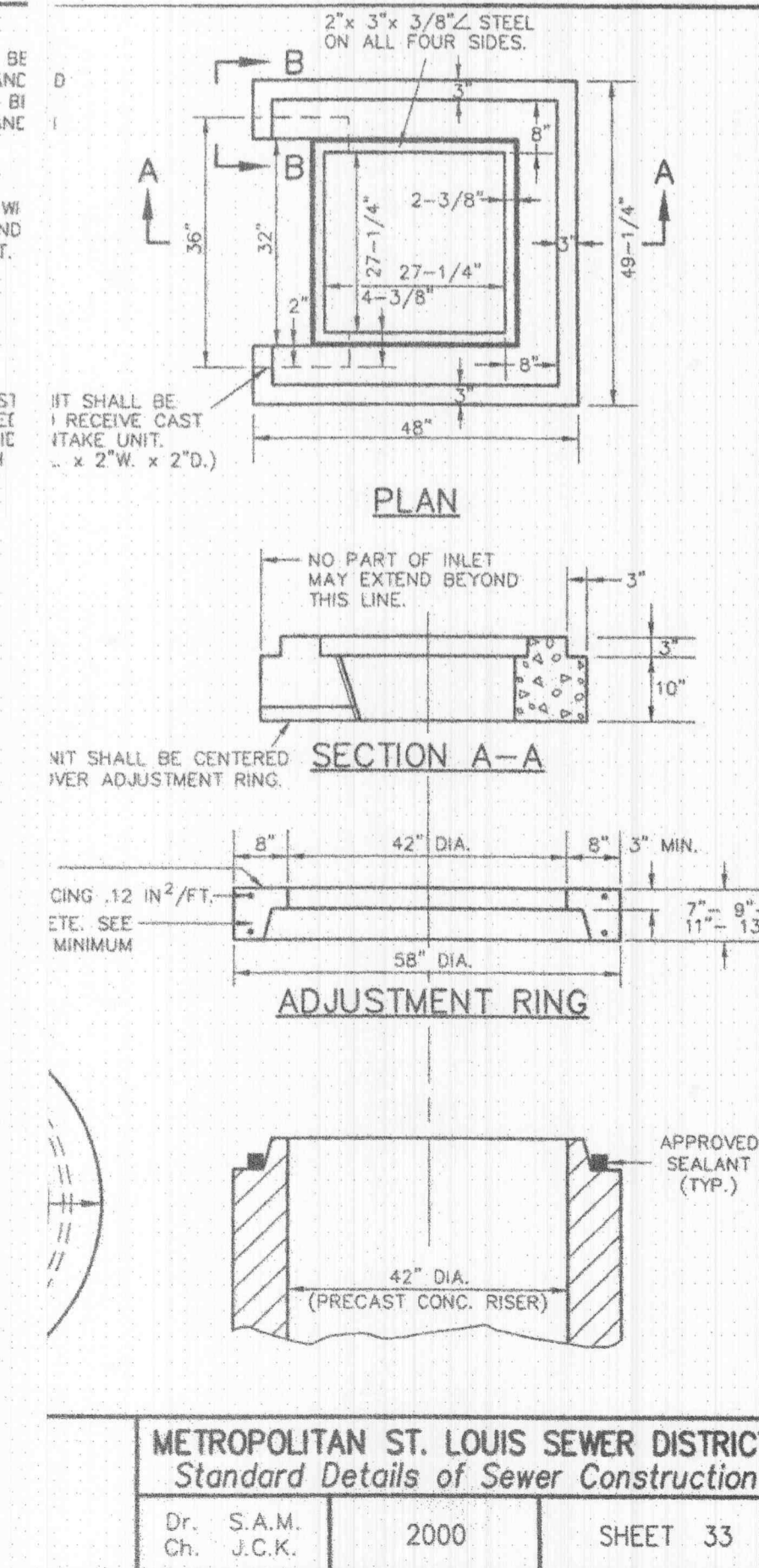


**FLARED END SECTION**

**NOTES:**  
 1) INLETS ON THIS SHEET ARE TO BE USED IN LOCATIONS WHERE STAGNANT OPEN THROAT INLETS CAN NOT BE USED IN PAVED TRAFFIC WAY AND LIMITED EASEMENTS.  
 2) STANDARD DEPTH = 4.0 FEET.  
 3) ADJUSTMENTS SHALL BE MADE W/ PRECAST ADJUSTMENT RINGS AND APPROVED BITUMINOUS SEALANT.



**GRATE SEAT  
 FOR 2 GRATE  
 WITH SIDE INTA**



**METROPOLITAN ST. LOUIS SEWER DISTRICT  
 Standard Details of Sewer Construction**

Dr. S.A.M. 2000 SHEET 33  
 Ch. J.C.K.

ROUND PIPE				HORIZONTAL ELLIPTICAL PIPE			
Inside Diameter of Pipe (Inches)	"W" Payline Width of Trench (Inches)	"W" Payline Width of Trench (Feet)	Pay-volumes cu. ft. per ft. Concrete Encasement	Inside Diameter of Pipe (Inches)	"W" Payline Width of Trench (Inches)	"W" Payline Width of Trench (Feet)	Pay-volumes cu. ft. per ft. Concrete Encasement
4	28	2.33	3.20				
6	28	2.33	3.46				
8	28	2.33	3.70				
10	28	2.33	3.86				
12	28	2.33	3.98				
15	32	2.67	4.89				
18	35	2.92	5.63	14 X 23	41	3.42	5.94
21	39	3.25	6.61				
24	42	3.50	7.39	19 X 30	49	4.08	7.68
27	45	3.75	8.18	22 X 34	53	4.42	8.61
30	49	4.08	9.30	24 X 38	58	4.83	9.70
33	53	4.42	10.53	27 X 42	62	5.17	10.71
36	56	4.67	11.43	29 X 45	66	5.50	11.72
39	DISCONTINUED			32 X 49	71	5.92	13.14
42	63	5.25	13.38	34 X 53	75	6.25	14.05
48	70	5.83	15.67	38 X 60	83	6.92	16.18
54	77	6.42	18.15	43 X 68	92	7.67	18.81
60	84	7.00	20.73	48 X 76	101	8.42	21.59
66	91	7.58	23.45	53 X 83	109	9.08	24.35
72	98	8.17	26.37	58 X 91	118	9.83	27.45
78	105	8.75	29.39	63 X 98	126	10.50	30.50
84	112	9.33	32.57	68 X 106	135	11.25	33.91
90	119	9.92	35.90	72 X 113	143	11.92	36.99
96	126	10.50	39.37	77 X 121	152	12.67	40.69
102	133	11.08	42.99	82 X 128	160	13.33	44.45
108	140	11.67	46.75	87 X 136	168	14.00	47.79
114	147	12.25	50.66	92 X 143	176	14.67	51.70
120	154	12.83	54.72	97 X 151	185	15.42	56.01
126	161	13.42	58.92				
132	168	14.00	63.27	106 X 166	202	16.83	64.48
144	182	15.17	72.40	116 X 180	218	18.17	73.59

**TABLE NO. 1  
 PAYLINE WIDTHS OF TRENCH AND  
 PAY-QUANTITIES OF CONCRETE**