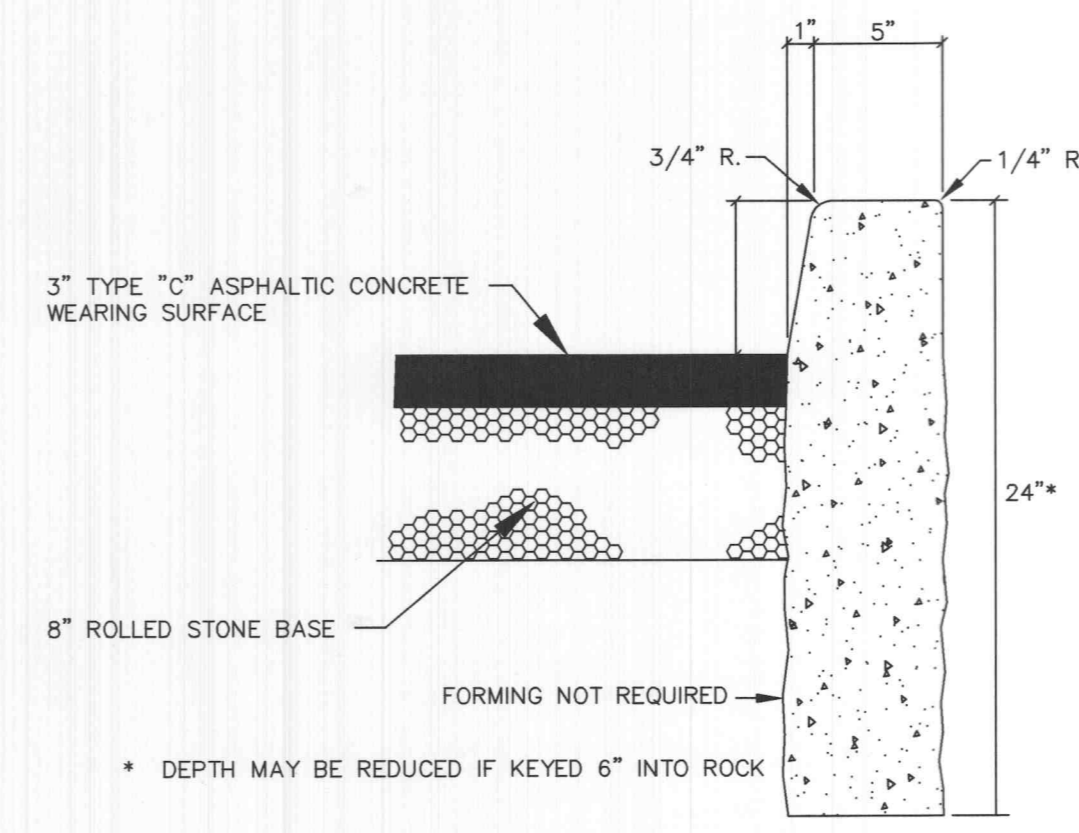
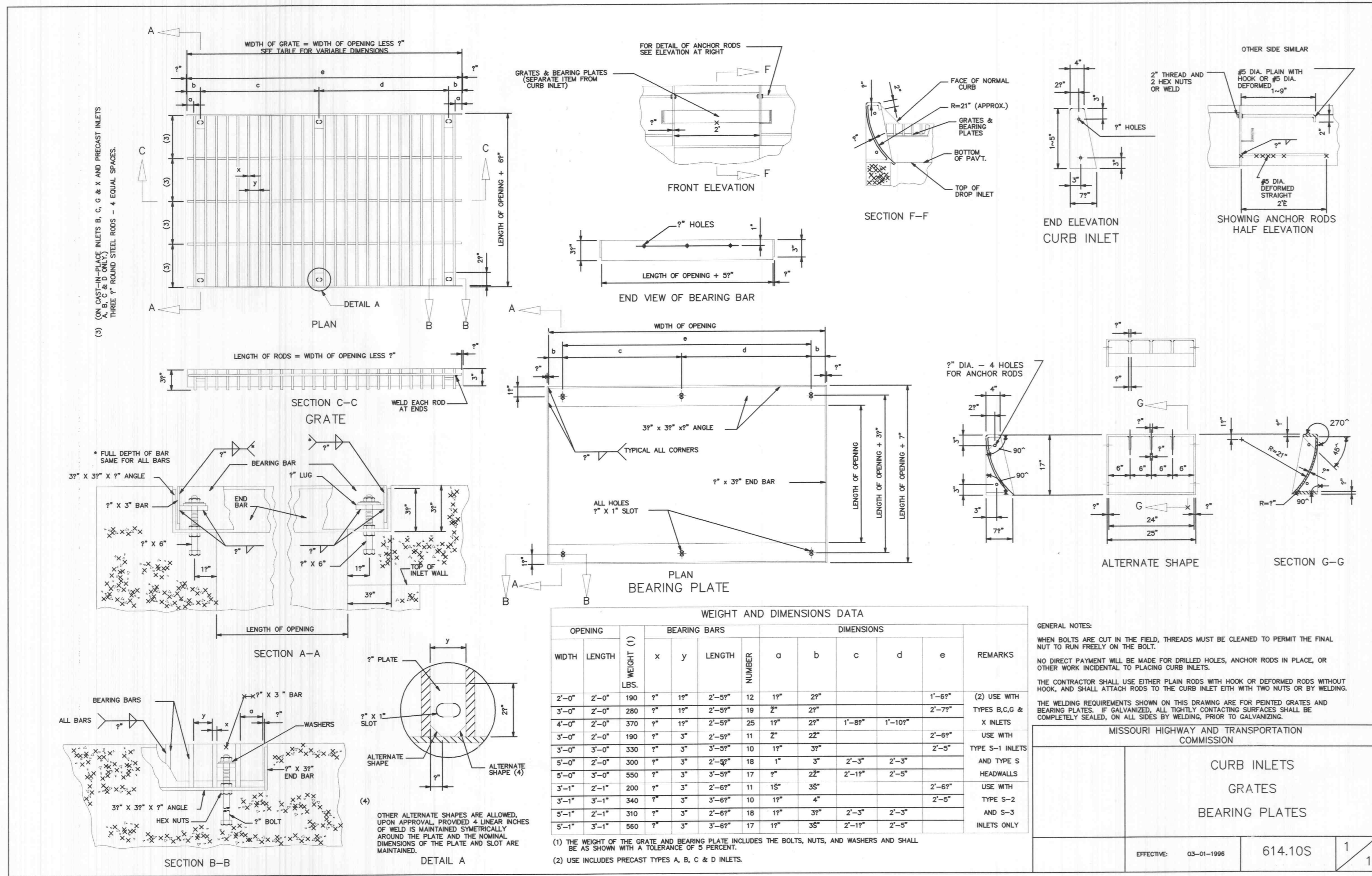


**REVISIONS**  
 07-28-03 CITY COMMENTS  
 08-11-03 MDDOT  
 08-11-03 CITY COMMENTS  
 08-19-03 CITY COMMENTS



TYPE "S" CONCRETE CURB  
 NOT TO SCALE

