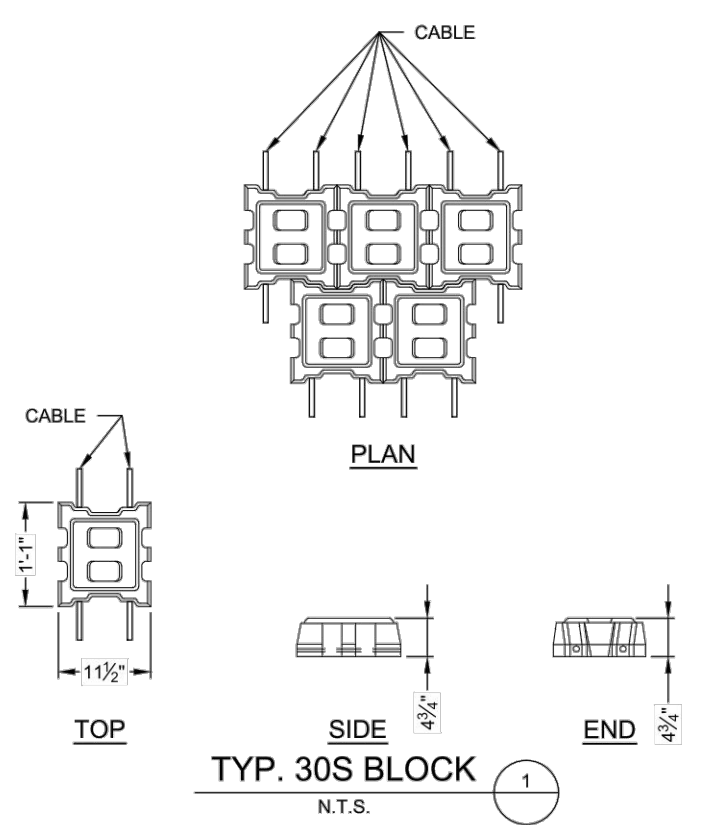


SECTION

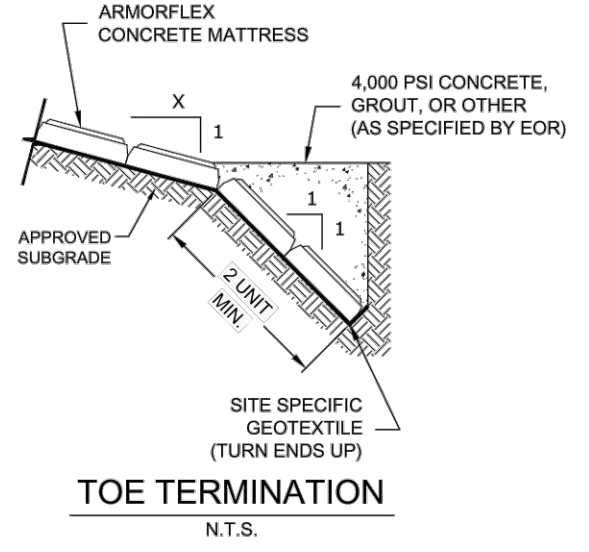
NOTE: INFILL ALL ARMORFLEX UNITS WITH GRANULAR BACKFILL.

1 RAMP ALTERNATIVE

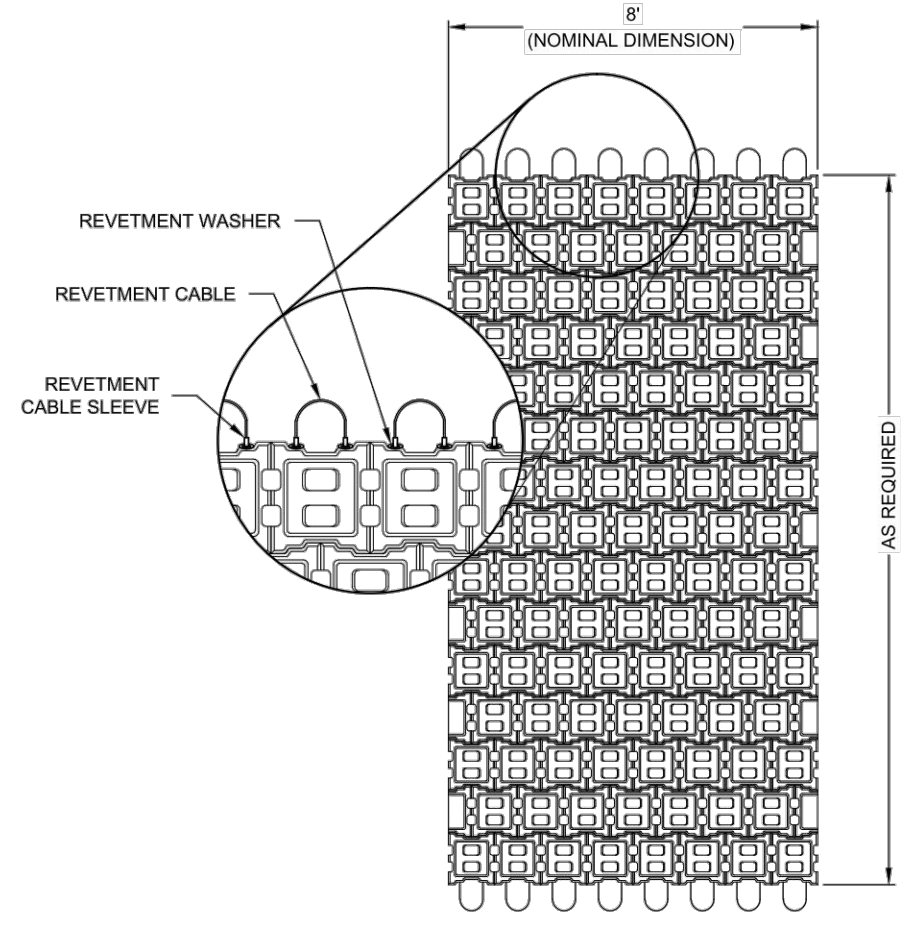
NTS



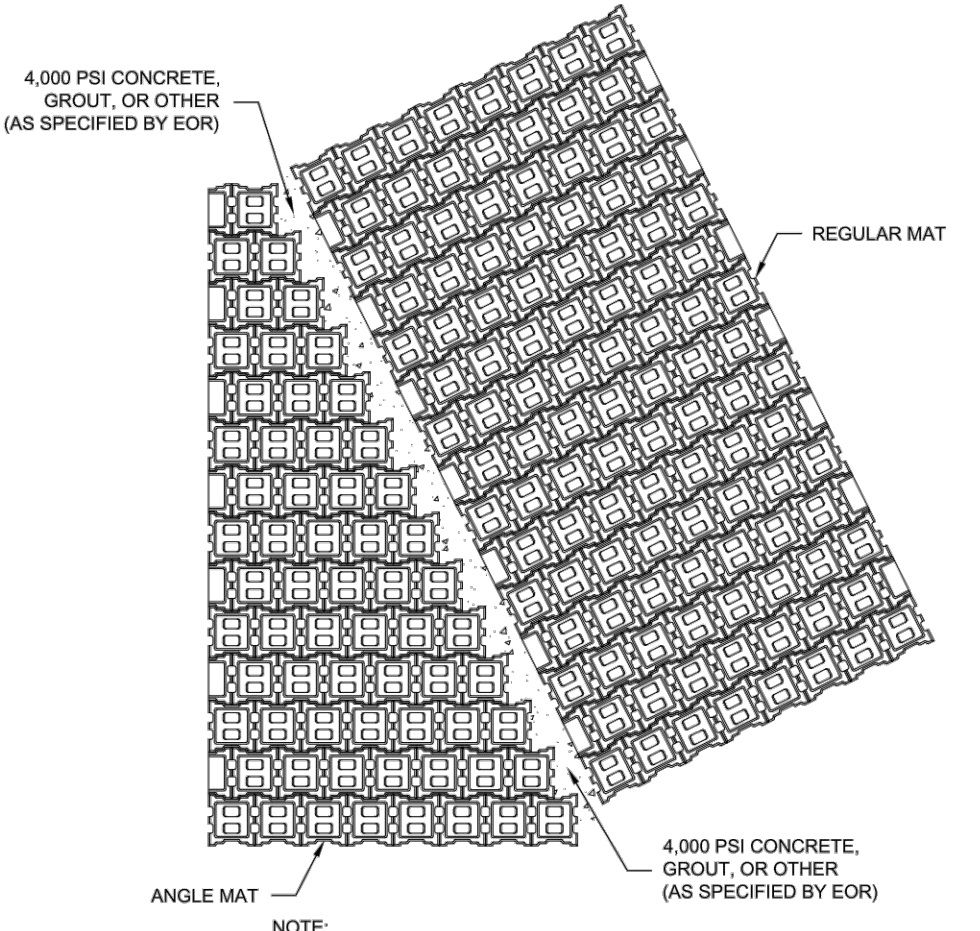
TYP. 30S BLOCK
N.T.S.



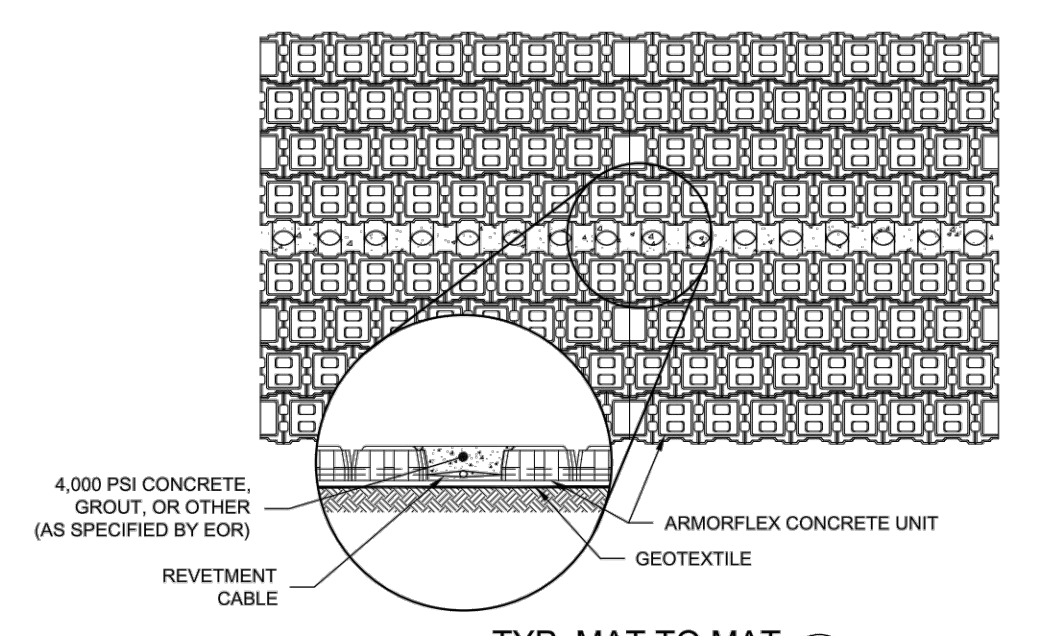
TOE TERMINATION
N.T.S.



TYP. 30S MAT
N.T.S.



TYP. ANGLE MAT
N.T.S.



TYP. MAT TO MAT
N.T.S.

2 ARMORFLEX CLASS 30 SMALL STANDARD TERMINATION DETAILS

NTS



INTUITION & LOGIC
 Intuition & Logic Engineering, Inc.
 MO Certificate of Authority
 16235 Swingsley Ridge Rd.
 Suite 100
 Chesterfield, MO 63017
 Phone (636) 777-3000

**DARDENNE CREEK BLUEWAY
 TRAIL AND STREAM
 STABILIZATION - SITE 2**
 Saint Charles County, Missouri

THE PROFESSIONAL ENGINEER'S SIGNATURE AND PERSONAL SEAL APPEARING HEREON ASSUMES RESPONSIBILITY ONLY FOR WHAT APPEARS ON THIS PAGE, AND DISCLAIMS JURISDICTION TO SECTION 302.411 REGARDING ANY RESPONSIBILITY FOR ALL OTHER PLANS OR INSTRUMENTS NOT SEALED BY THE UNDERSIGNED PROFESSIONAL ENGINEER. RELIANCE ON ANY INSTRUMENTS TO BE USED FOR ANY PART OR PARTS OF THE PROJECT TO WHICH THIS PAGE REFERS.

Professional Engineer Seal
 Timothy Patrick Dean - Engineer
 MO# E-2008019536



Expiration Date: DEC. 31, 2024

Rev	Date	Description
-	-	-
-	-	-
-	-	-
-	-	-

Date:
 Drawn by: JMS
 Checked by: MSA
 Approved by: TPD

PROJECT NO. 2306

SHEET TITLE:

DETAILS

SHEET NUMBER:

C-403