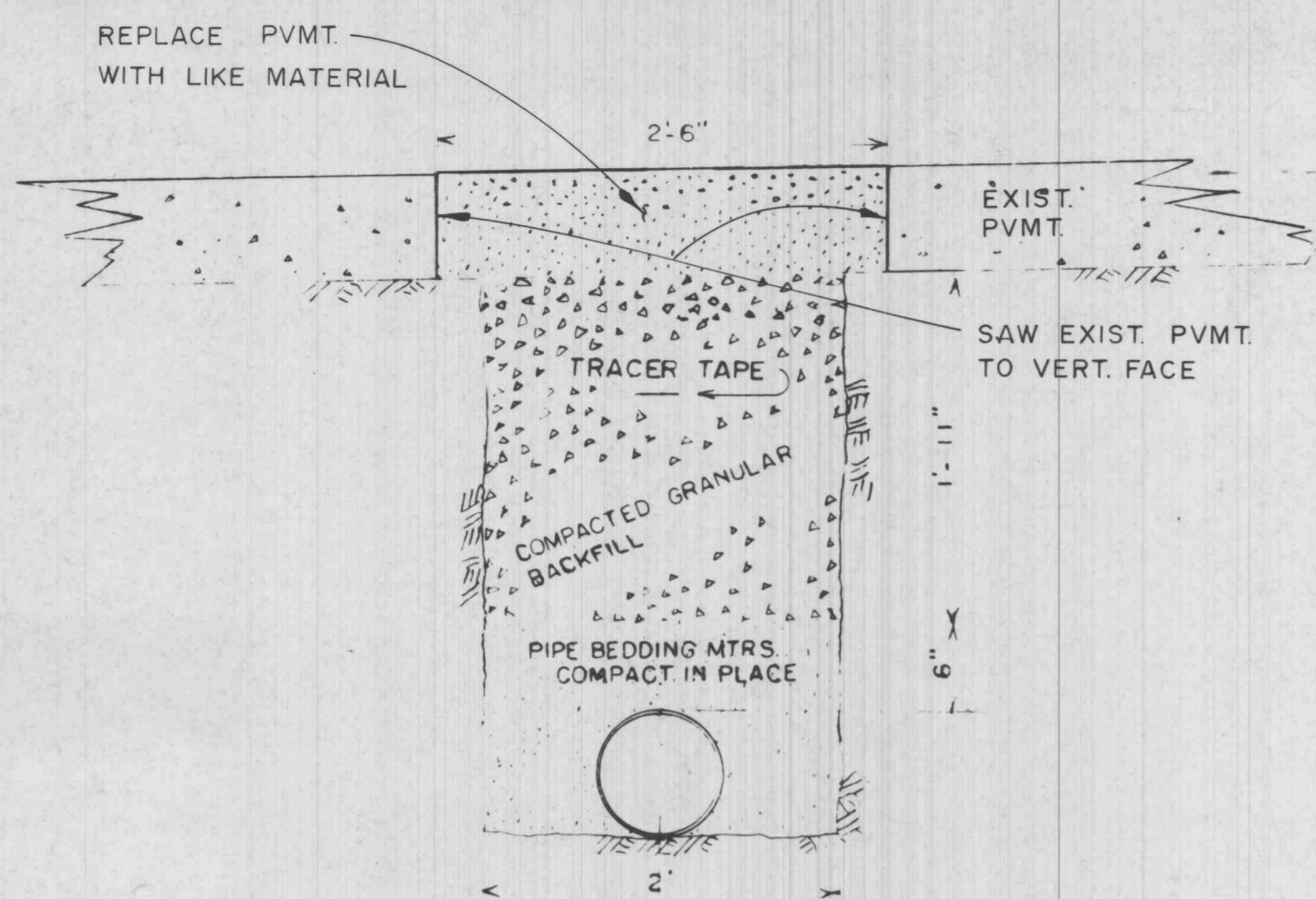
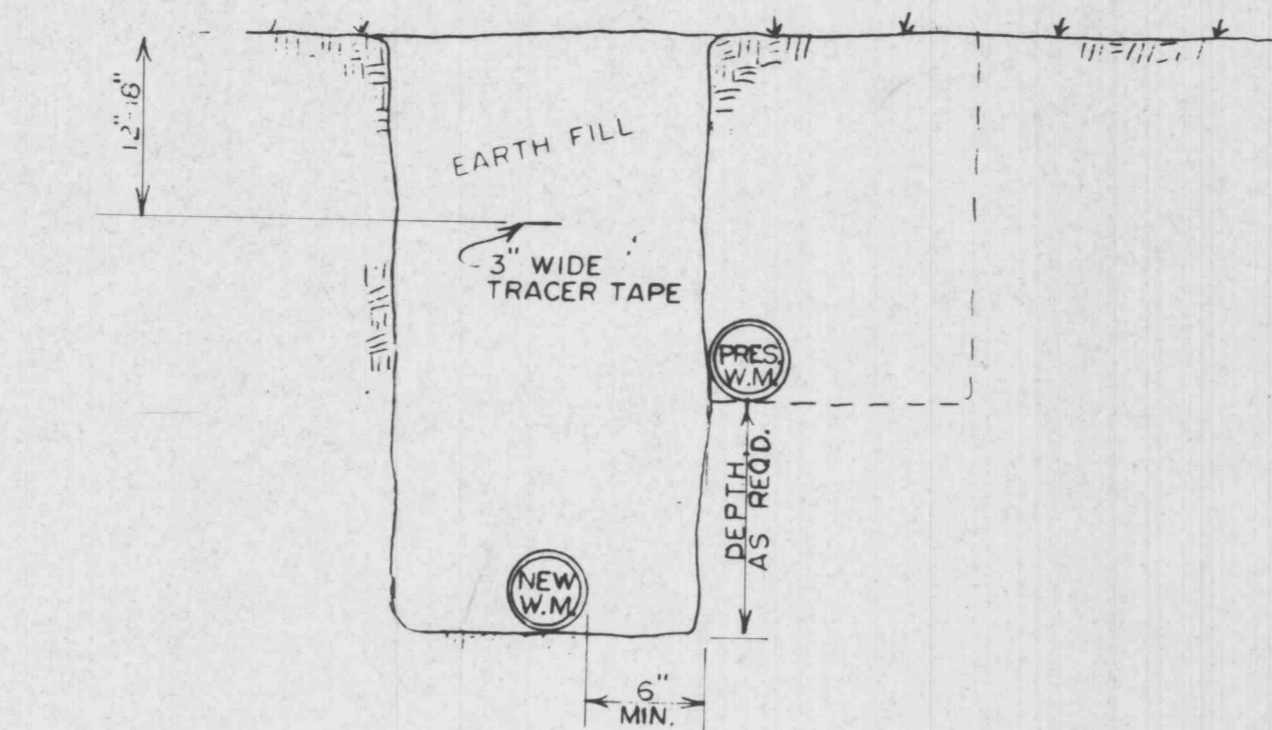


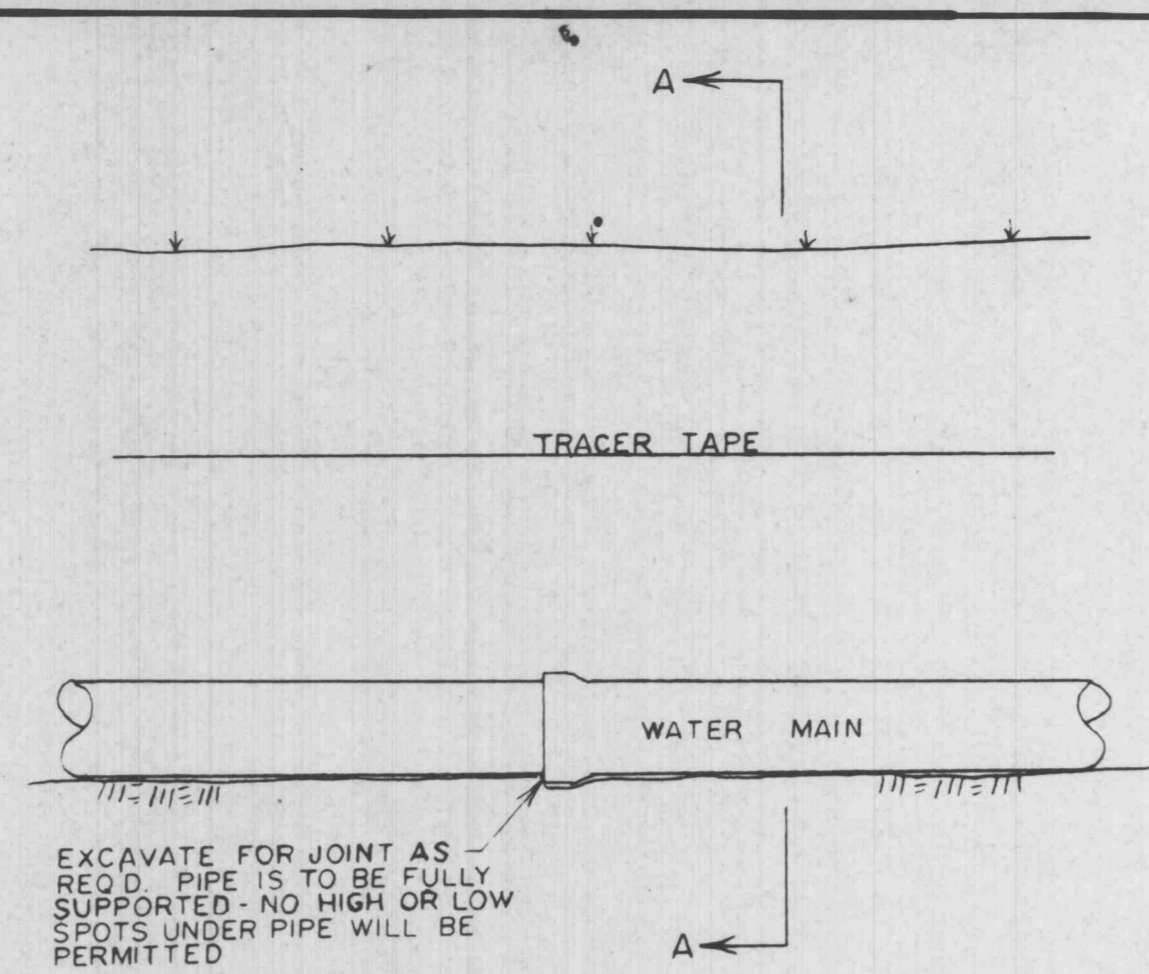
# WATER MAIN CONSTRUCTION DETAILS



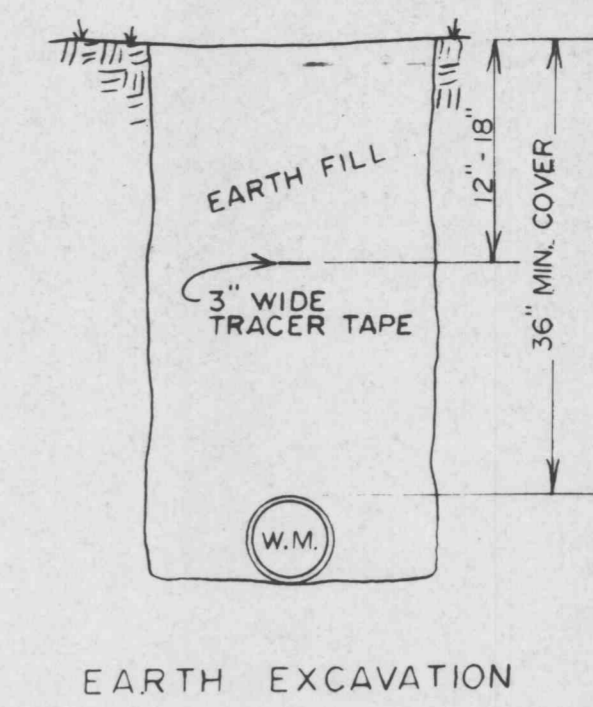
TYPICAL PAVED STREET OR ROAD TRENCH BACKFILL & SURFACE REPLACEMENT DETAIL  
SCALE: 1" = 1'



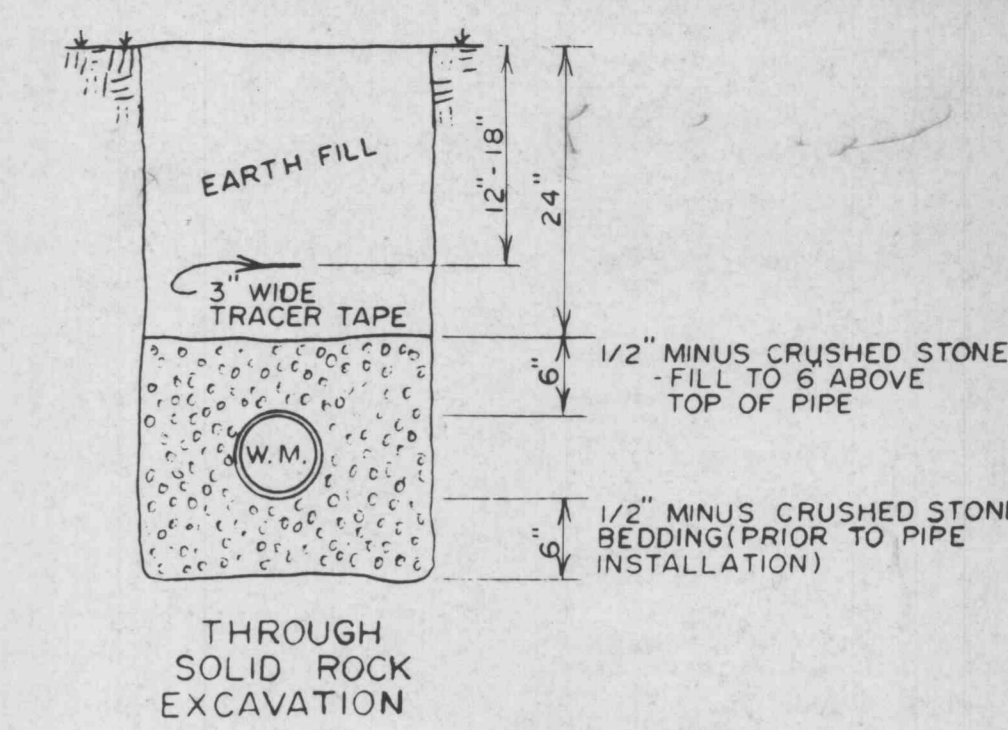
TYPICAL WATER MAIN LOWERING DETAIL  
NO SCALE



TYPICAL WATER MAIN INSTALLATION DETAIL  
NO SCALE

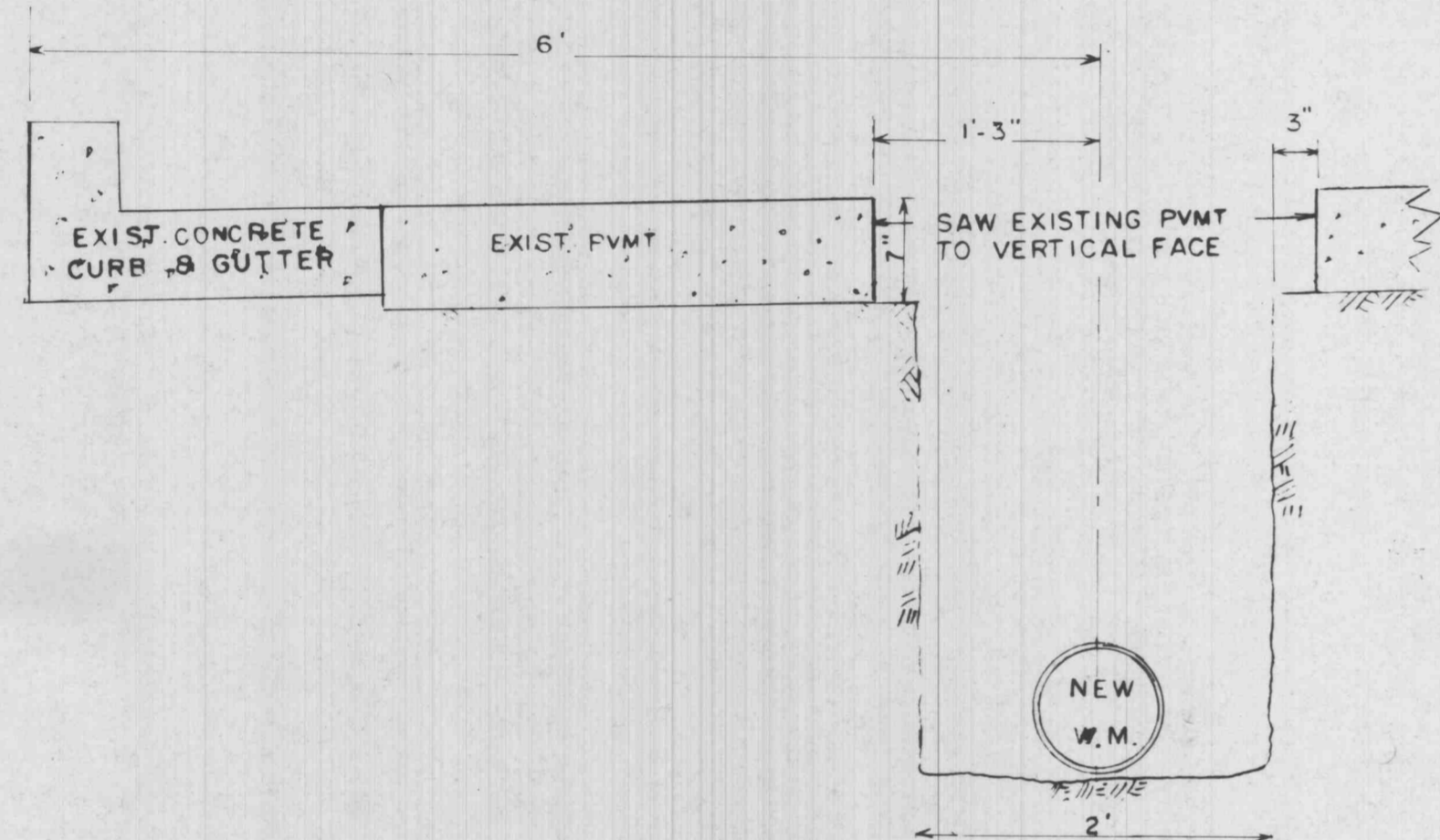


EARTH EXCAVATION

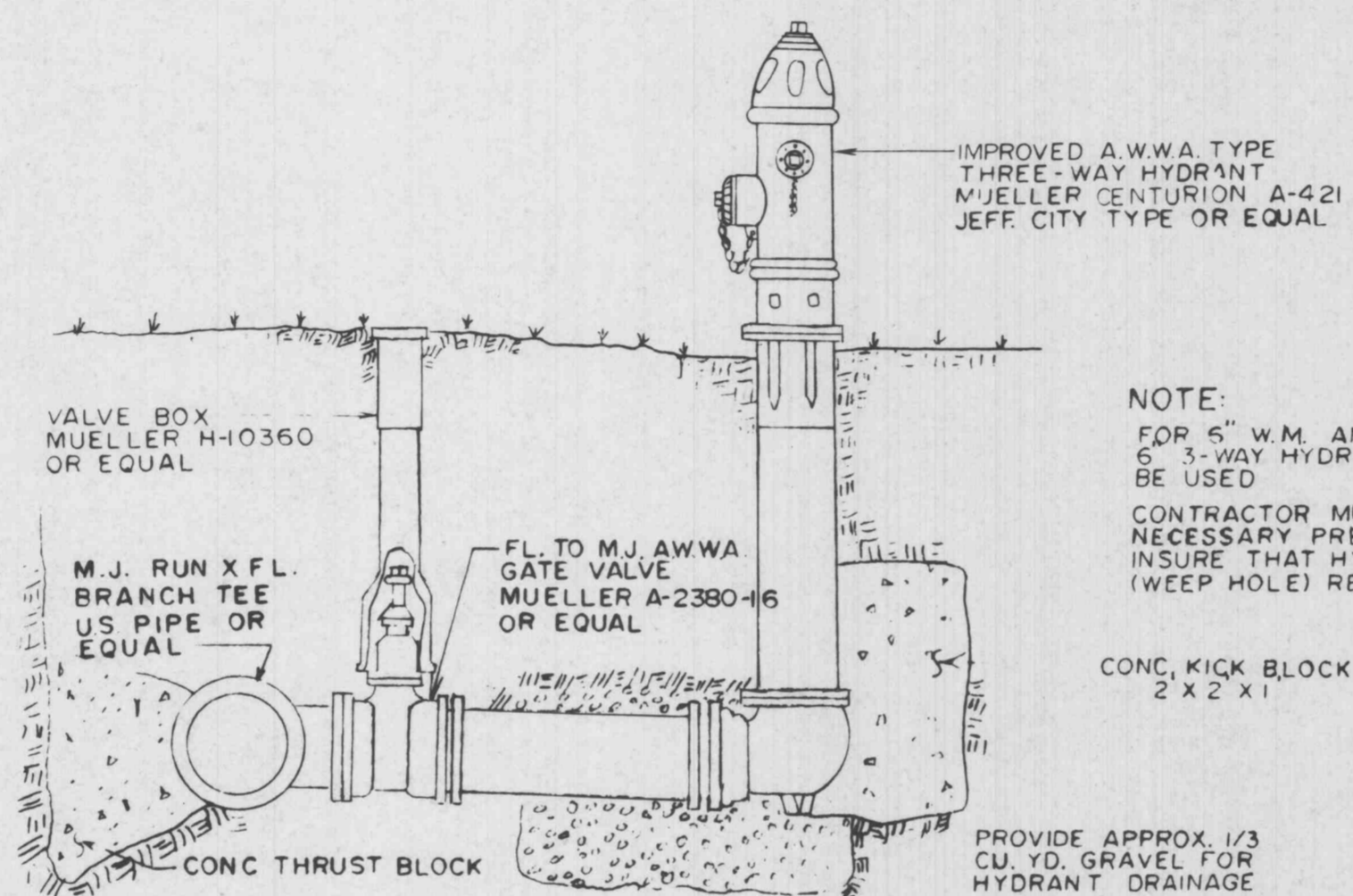


THROUGH SOLID ROCK EXCAVATION

SECTION A-A

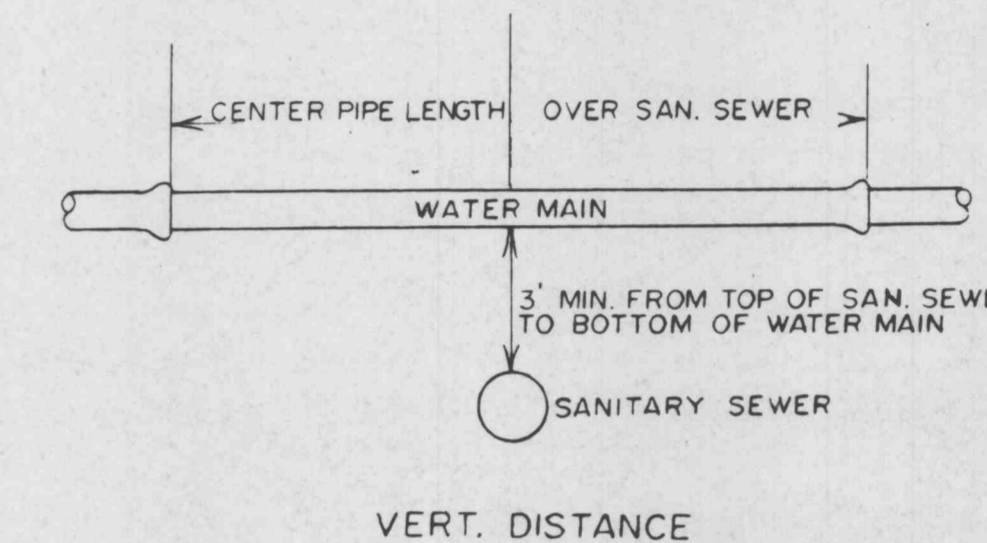
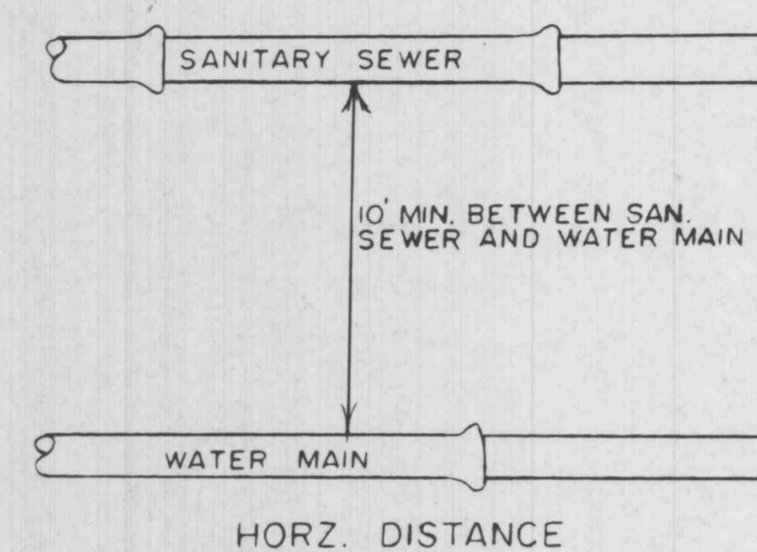


TYPICAL TRENCH EXCAVATION IN PAVED STREETS



FIRE HYDRANT INSTALLATION DETAIL  
NO SCALE

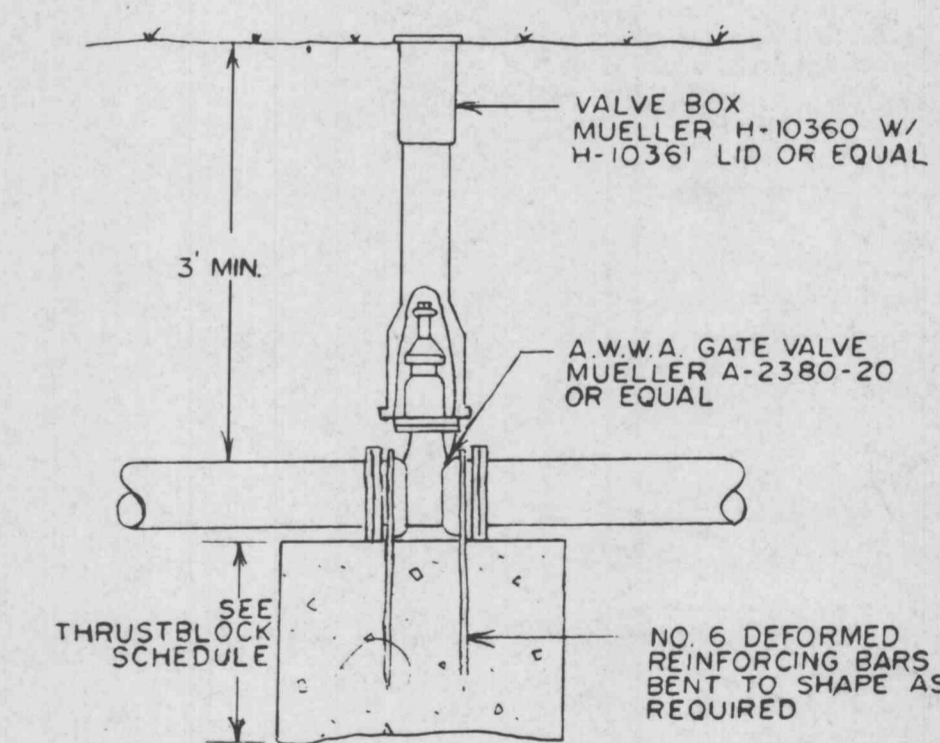
NOTE:  
FOR 5" W.M. AND LARGER 6" 3-WAY HYDRANTS ARE TO BE USED.  
CONTRACTOR MUST TAKE ALL NECESSARY PRECAUTIONS TO INSURE THAT HYDRANT DRAIN (WEEP HOLE) REMAINS OPEN.



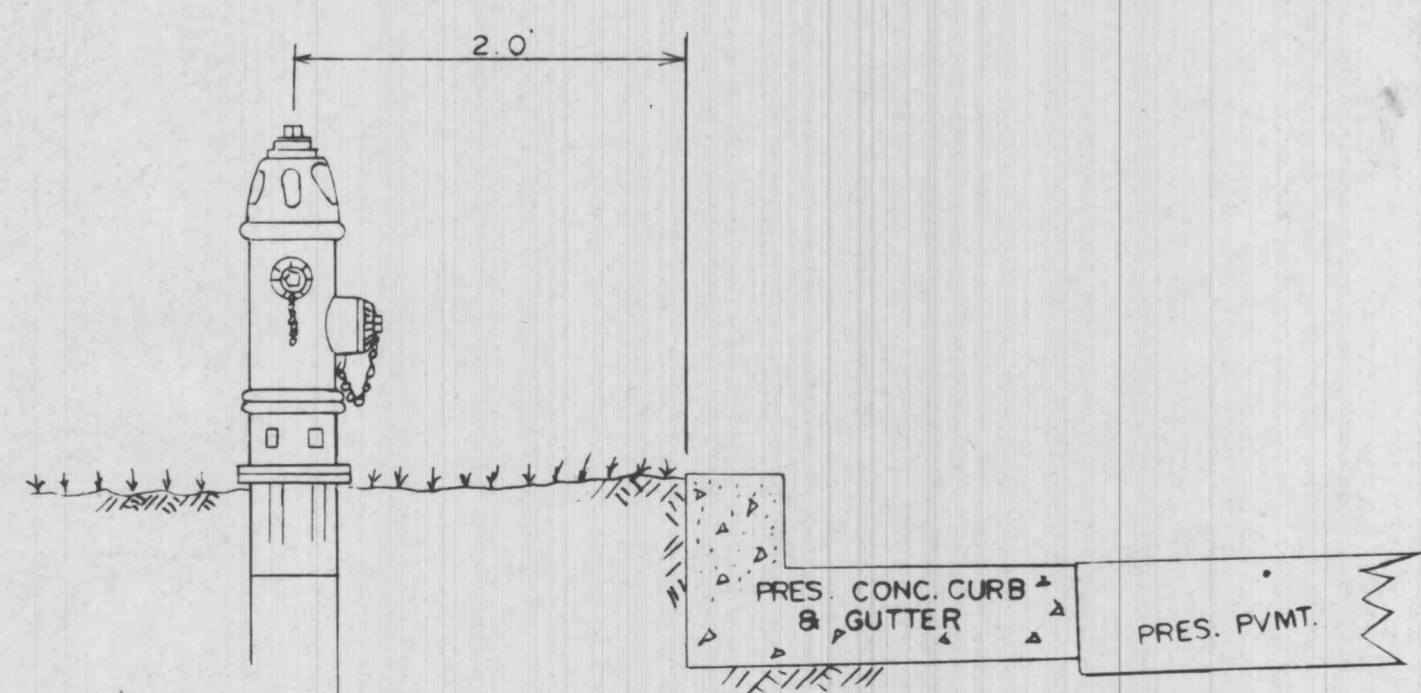
TYPICAL WATER & SEWER SEPARATION  
NO SCALE

MAIN SIZE	MIN THRUST BLOCK BEARING DIMENSIONS TO BEAR AGAINST UNDISTURBED EARTH				
	45° BEND	22 1/2° BEND	TEE	VALVE	CROSS
4"	1' x 1'	1' x 1'	2' x 1'	2' x 1'	1' x 1'
6"	1.5' x 1'	1' x 1'	2' x 1'	2' x 1'	1' x 1'
8"	2' x 1'	1' x 1'	2' x 2.5'	2' x 2'	1' x 1.5'
10"	2' x 2.5'	1.5' x 2'	2' x 3.5'	2' x 3'	2' x 2'

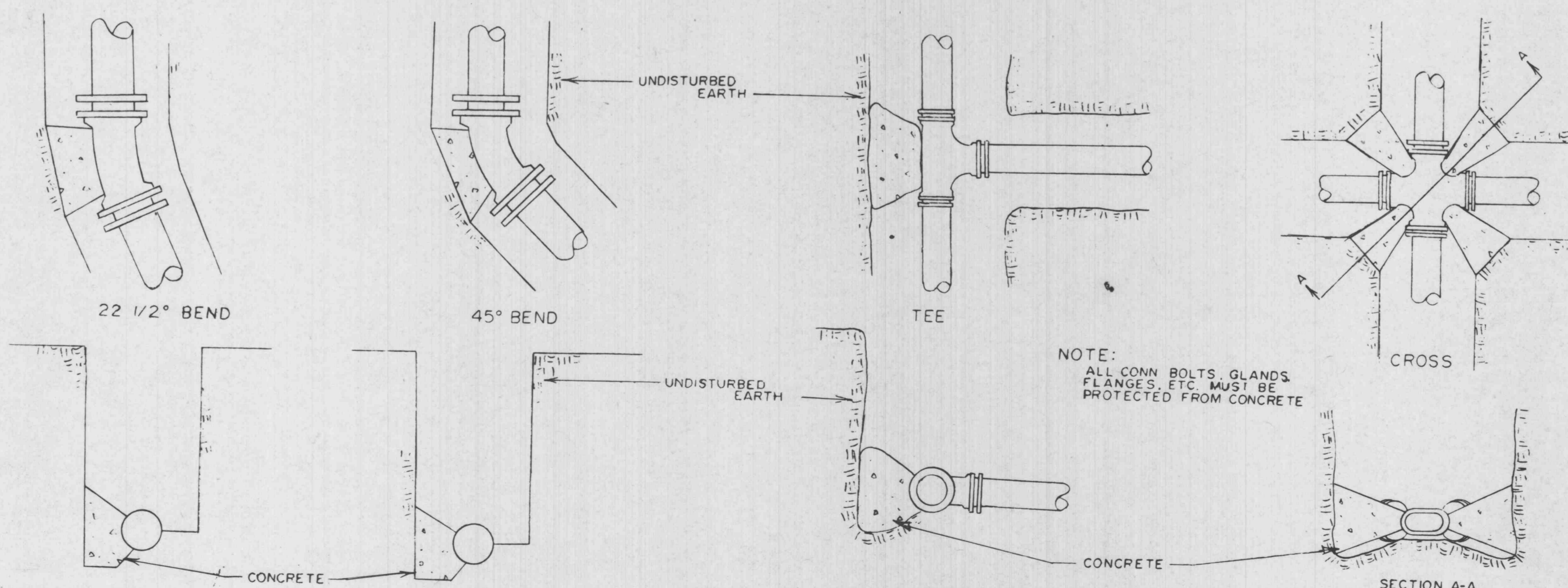
THRUSTBLOCK SCHEDULE



GATE VALVE W/ THRUST BLOCK DETAIL  
NO SCALE

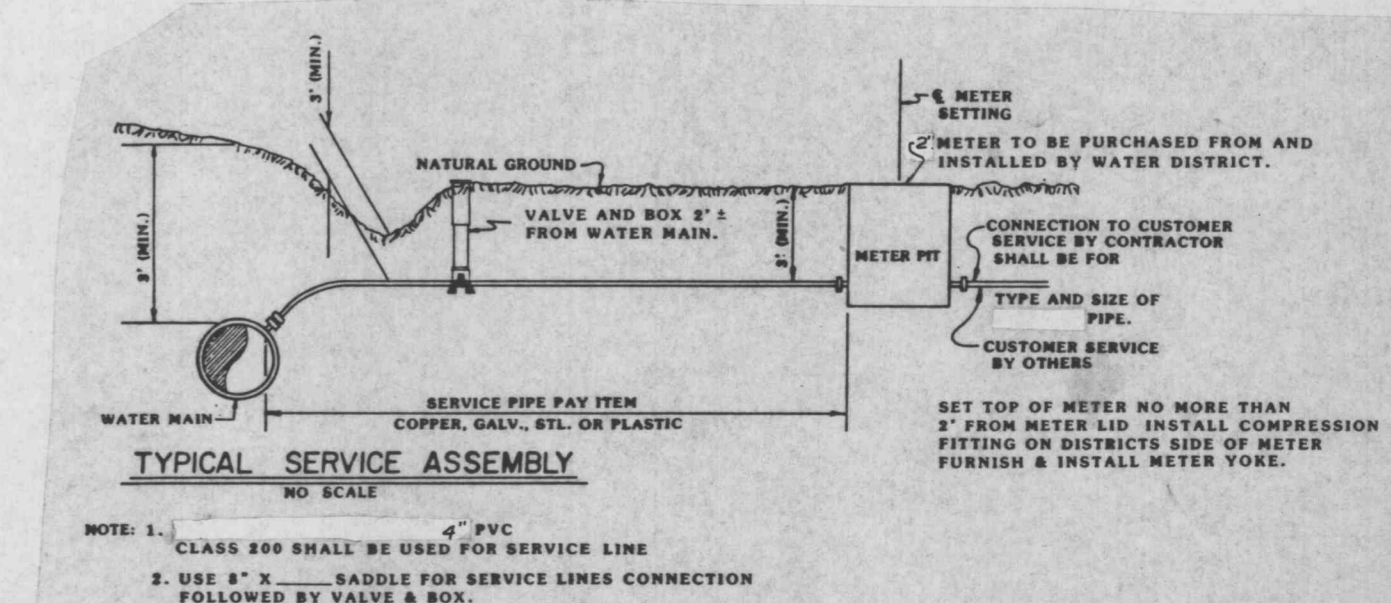


TYPICAL FIRE HYDRANT LOCATION DETAIL  
NO SCALE



TYPICAL THRUST BLOCK DETAIL  
NO SCALE

NOTE:  
ALL CONN. BOLTS, GLANDS, FLANGES, ETC. MUST BE PROTECTED FROM CONCRETE.



TYPICAL SERVICE ASSEMBLY  
NO SCALE

NOTE 1. CLASS 800 SHALL BE USED FOR SERVICE LINE  
2. USE 3" x 3" SADDLE FOR SERVICE LINES CONNECTION FOLLOWED BY VALVE & BOX.