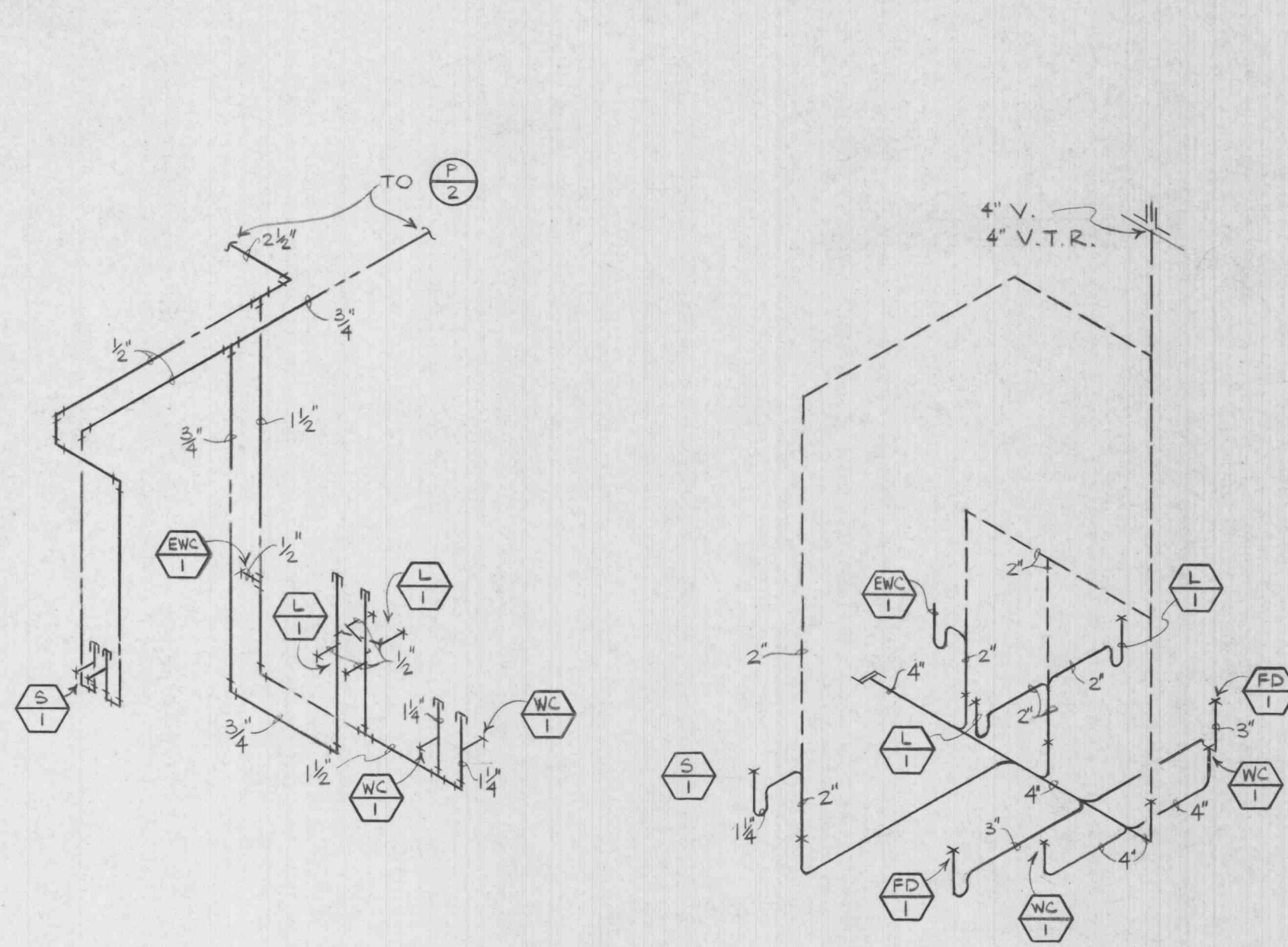
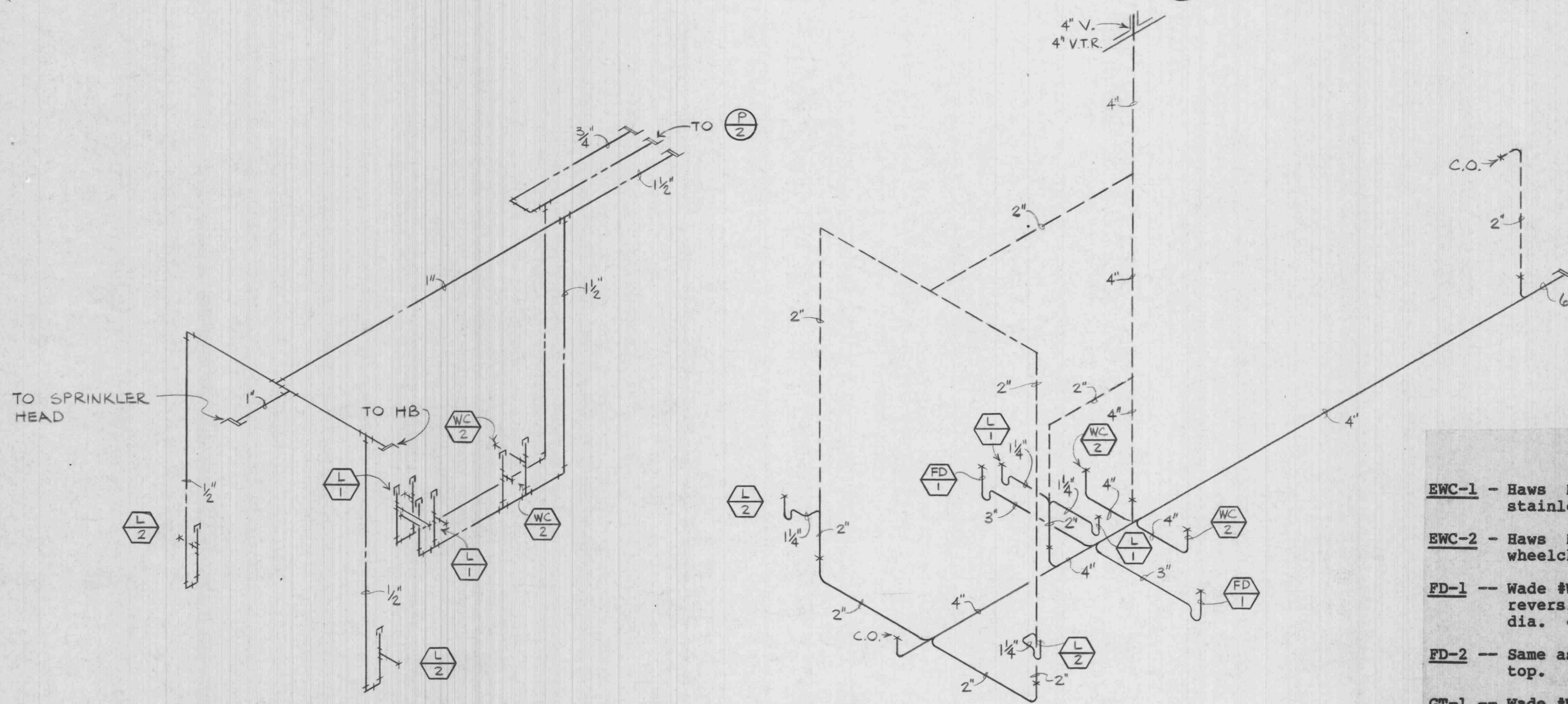


HEALTH #5
NOT TO SCALE



MEN #32, WOMEN #33 & TEACHERS LOUNGE #34
NOT TO SCALE



KINDERGARTEN TOILETS # 50 & 51
NOT TO SCALE

LEGEND

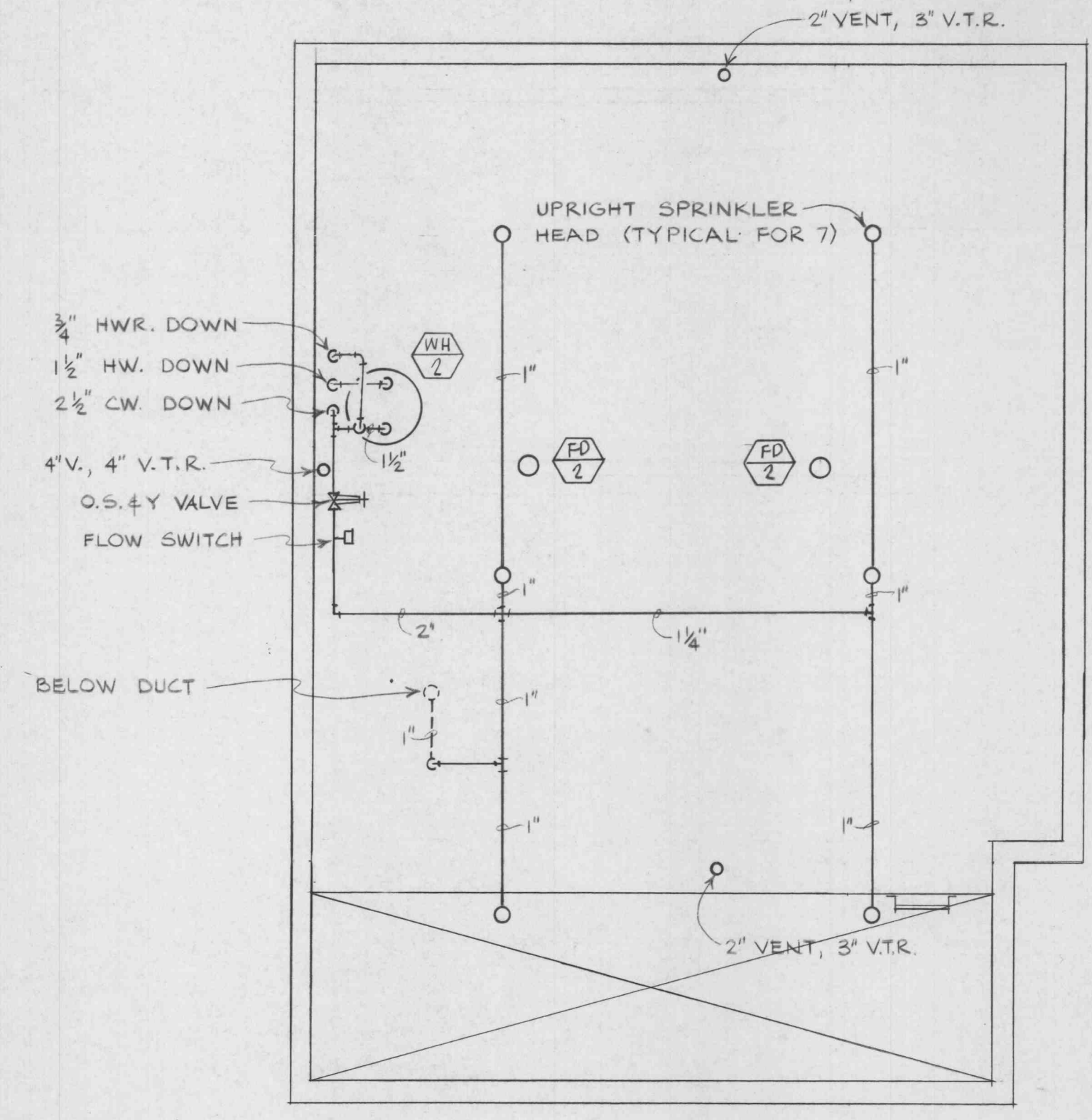
- CW COLD WATER
- HW HOT WATER
- HWR HOT WATER RECIRCULATING
- SANITARY WASTE
- SANITARY VENT
- CO. CLEANOUT
- V. VALVE
- UNION
- HB HOSE BIBB
- VTR VENT THRU ROOF
- PENDENT SPRINKLER HEAD
- UPRIGHT SPRINKLER HEAD
- O,S,&Y OUTSIDE SCREW & YOKE
- FLOW SWITCH

FIXTURE MOUNTING HEIGHT

FIXTURE	LOCATION	RIM MOUNTING HGT.
LAVATORIES	KINDERGARTEN TOILETS	26"
LAVATORIES	BOYS & GIRLS TOILETS	28"
LAVATORIES	OTHERS	32"
URINAL	BOYS TOILET	30"
EWC-1	TYPICAL	30"
EWC-2	TYPICAL	31"

PLUMBING FIXTURE SCHEDULE

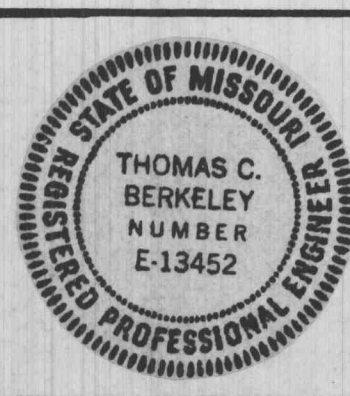
- EWC-1** - Haws Model HWS-8, 8.2 GPH, 1/4 HP, single phase, 120 volt; with stainless steel top and tan vinyl cabinet.
- EWC-2** - Haws Model HWC-8, 7.5 GPH, 1.4 HP, single phase, 120 volt, for wheelchair use; with stainless steel top and tan vinyl cabinet.
- FD-1** - Wade #W-1103-STD5-1, cast iron floor drain with flange, integral reversible clamping collar, 5" dia. nickel bronze strainer, 3" dia. outlet.
- FD-2** - Same as FD-1 except with Wade EF-4 bronze funnel with 4" dia. top.
- GT-1** - Wade #W-5135-JCX, cast iron grease trap with acid-resisting rubber base coating inside and outside; flow control fitting, removable baffles, flexible drawoff hose and line shutoff valve, and P.D.I. seal of approval; 35 gpm flow rate, 70 lb. grease capacity.
- HB-1** - Wade #W-8620, non-freeze wall hydrant with integral vacuum breaker, 3/4" size, length to suit wall thickness, nickel bronze face.
- L-1** - American Standard "Roxalyn" #0194.076, white, vitreous china, 20" x 18", for concealed arms, faucet holes 8" centers. #2247.018 metering faucet with 8" centers, 2.5 gpm flow restrictor, #2411.015 grid drain. Supplies - Brass Craft #SCR1912A loose key compression angle valve with flexible riser. Trap - Cast brass chrome-plated P-trap with cleanout plug. Carrier - Wade #W-520 series.
- L-2** - Elkay #PSDKR-2517-C classroom drinking fountain with sink combination, 20 gauge, type 304 stainless steel, 16" x 13-1/2", with #LK-2085-13-L cold water faucet and gooseneck with aerator, #LK-141 lever handle bubbler, and #LK-35 strainer. P-trap and supply same as L-1.
- L-3** - Same as L-1 except faucets shall be #2238.202 with wrist blades and gooseneck spout.
- L-4** - American Standard "Penlyn" #0372.029, white, vitreous china, 18" x 15-7/8", with wall hanger, faucet holes 8" centers. Faucets - same as L-3. Supplies and trap - same as L-1.
- MB-1** - Fiat Model MSB-2424, molded stone mop basin, 24" x 24" x 10", with #830-AA service faucet, #832-AA hose and hose bracket, #889-CC mop hanger, and #1453-BB strainer.



MEZZANINE PLAN
SCALE: 1/4" = 1'-0"

- S-1** - Elkay #CR-2522, single basin sink, 20-gauge type 302 stainless steel, modified to have five (5) faucet holes; Basin 21" x 15-3/4" x 7" deep. Faucet - #LK-2433 with spray. #LKH-180 hot water dispenser, 120 volts, 750 watts (located in left faucet hole). #LK-99 drain fitting. 1-1/2" chrome-plated cast brass P-trap with cleanout. Disposer - In-Sink-Erator Model 77, 1/2 HP, stainless steel. Supplies - same as L-1.
- UR-1** - American Standard "Washbrook" #6501.010, white, vitreous china; washout urinal, top spud, back outlet; Sloan Royal #186 flush valve; Wade #W-452 carrier.
- WC-1** - American Standard "Madera" #2221.018, white, vitreous china, siphon jet, elongated bowl, top spud, floor mounted water closet, 14-1/4" rim height; Sloan Royal #115-3 flush valve; Church #5320.536 black open front seat.
- WC-2** - American Standard "Devoro" #2272.011, white, vitreous china, siphon jet, top spud, floor mounted children's water closet, 10" rim height; Sloan Royal #110-3 flush valve; Church #5330.113 black open front seat.
- WC-3** - American Standard "Cadet" #9468.018, white, vitreous china, siphon jet, top spud, floor mounted handicapped water closet, 18" rim height; Flush Valve and Seat same as WC-1.
- WH-1** - A. O. Smith BT-200, 100-gallon storage; 199,000 BTUH natural gas input, recovery 181 GPH at 100 deg. F. rise; with glass-lined tank, steel jacket, with fiberglass tank insulation, handhole cleanout, magnesium anode rod, gas pressure regulator, safety shutoff, and T&P relief valve. Set hot water temperature at 140 deg. F. Heater shall meet ASHRAE 90A-1980 standards for energy efficiency.
- WH-2** - A. O. Smith BT-100, 100-gallon storage; 80,000 BTUH natural gas input, recovery 103 GPH at 70 deg. F. rise; same construction as WH-1. Set hot water temperature at 110 deg. F.
- L-5** - ELKAY #PSLVR-1917, 20-GAUGE TYPE 302 STAINLESS STEEL COUNTERTOP RECTANGULAR LAVATORY WITH OVERFLOW & THREE (3) FAUCET HOLES @ 4" CENTER; BASIN 16" x 11 1/2" x 6" DEEP. FAUCETS & DRAIN - SAME AS L-3. SUPPLIES & TRAP - SAME AS L-1

PICKETT RAY & SILVER	civil engineers
SOIL CONSULTANTS INC	soil engineers
L. WEINTRAUB & ASSOC	structural engineers
THOMAS BERKELEY	mechanical engineers



the DMA corporation
Design & Management Associates

314-946-2060 202 Transit Street St. Charles, Mo. 63301

NEW ELEMENTARY SCHOOL
ft. zumwalt school district
o'fallon missouri

PLUMBING FIXTURE SCHEDULE, MEZZ. PLAN & DIAGRAMS

Revisions:			
△		△	
△		△	
△		△	
△		△	

Job No. 002108
P-3
Date: 7-7-86
Copyright DMA Corporation