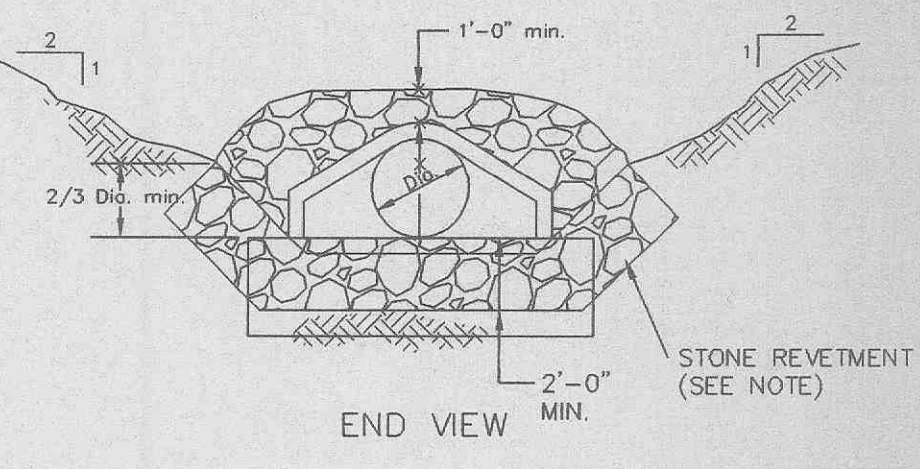
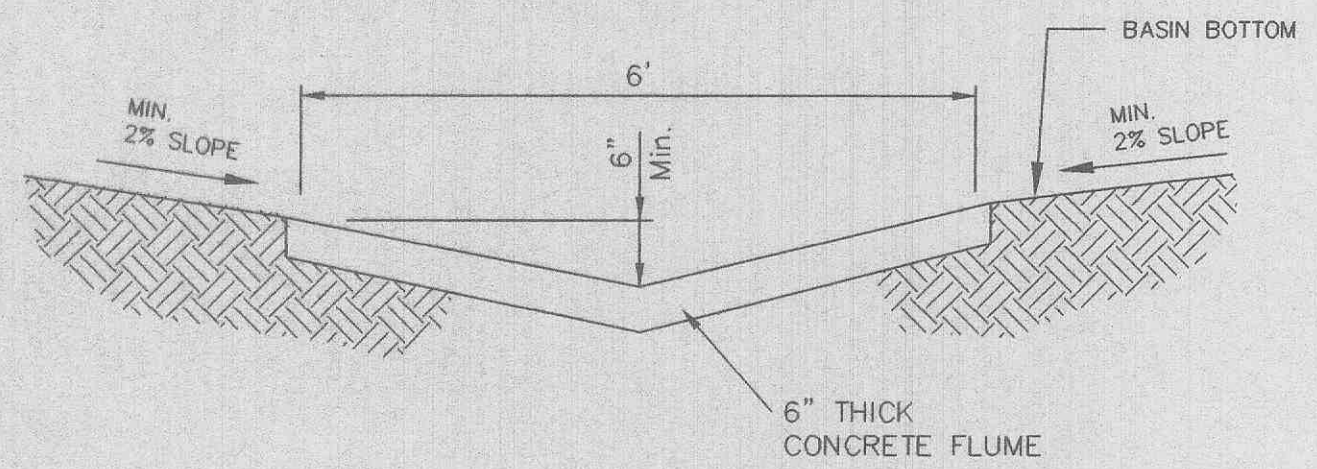


NOTES:  
 1. STONE FOR HEAVY STONE REVETMENT SHALL BE SOUND, DURABLE, AND FREE FROM CRACKS AND OTHER STRUCTURAL DEFECTS THAT WOULD CAUSE IT TO DETERIORATE. IT SHALL NOT CONTAIN ANY SOAPSTONE, SHALE, OR OTHER MATERIAL EASILY DISINTEGRATED. THE STONE SHALL BE AT LEAST 12 INCH IN THICKNESS PERPENDICULAR TO THE SLOPE AND ALL BLOCKS SHALL WEIGH NOT LESS THAN 50 POUNDS AND AT LEAST 60% SHALL NOT WEIGH NOT LESS THAN 100 POUNDS.  
 Filter fabric to be placed under stone.



FLARED END SECTION

- NOTES:
- CONCRETE SHALL BE 3000 p.s.i. STRENGTH AT 28 DAYS.
  - 1/2" PREFORMED FIBER JOINT WITH JOINT SEALER TO BE CONSTRUCTED AS TRANSVERSE JOINT AT 50' INTERVALS.
  - MINIMUM CHANNEL SLOPE TO BE 0.5%.
  - BASIN BOTTOM TO SLOPE A MINIMUM OF 2% TO FLUME.



DETENTION BASIN CONCRETE FLUME DETAIL

**VEGETATIVE ESTABLISHMENT FOR URBAN DEVELOPMENT SITES**

**APPENDIX A Seeding Rates:**

**Permanent**  
 Tall Fescue - 30 lbs./ac.  
 Smooth Brome - 20 lbs./ac.  
 Combined Fescue @ 15 lbs./ac. and Brome @ 10 lbs./ac.

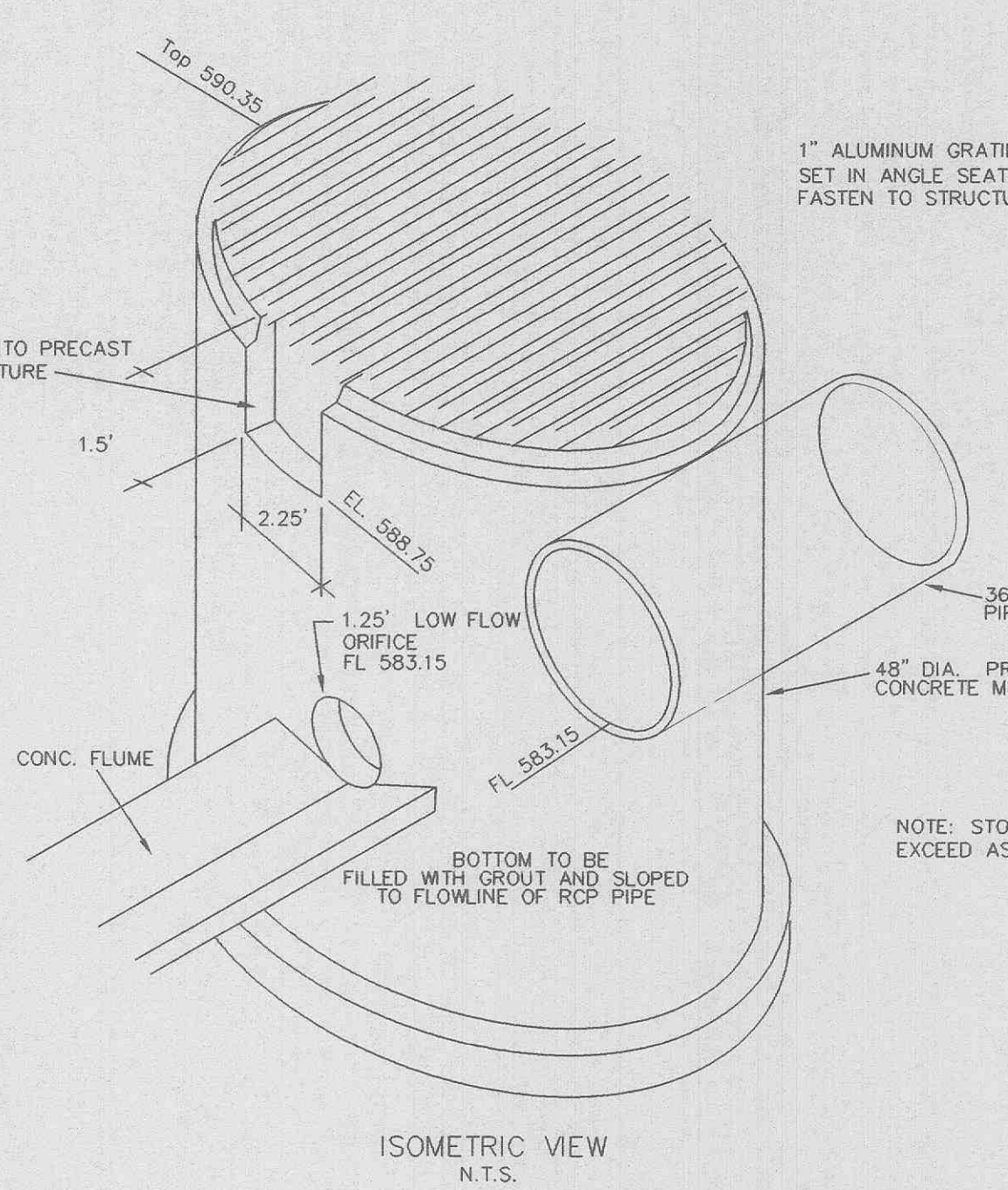
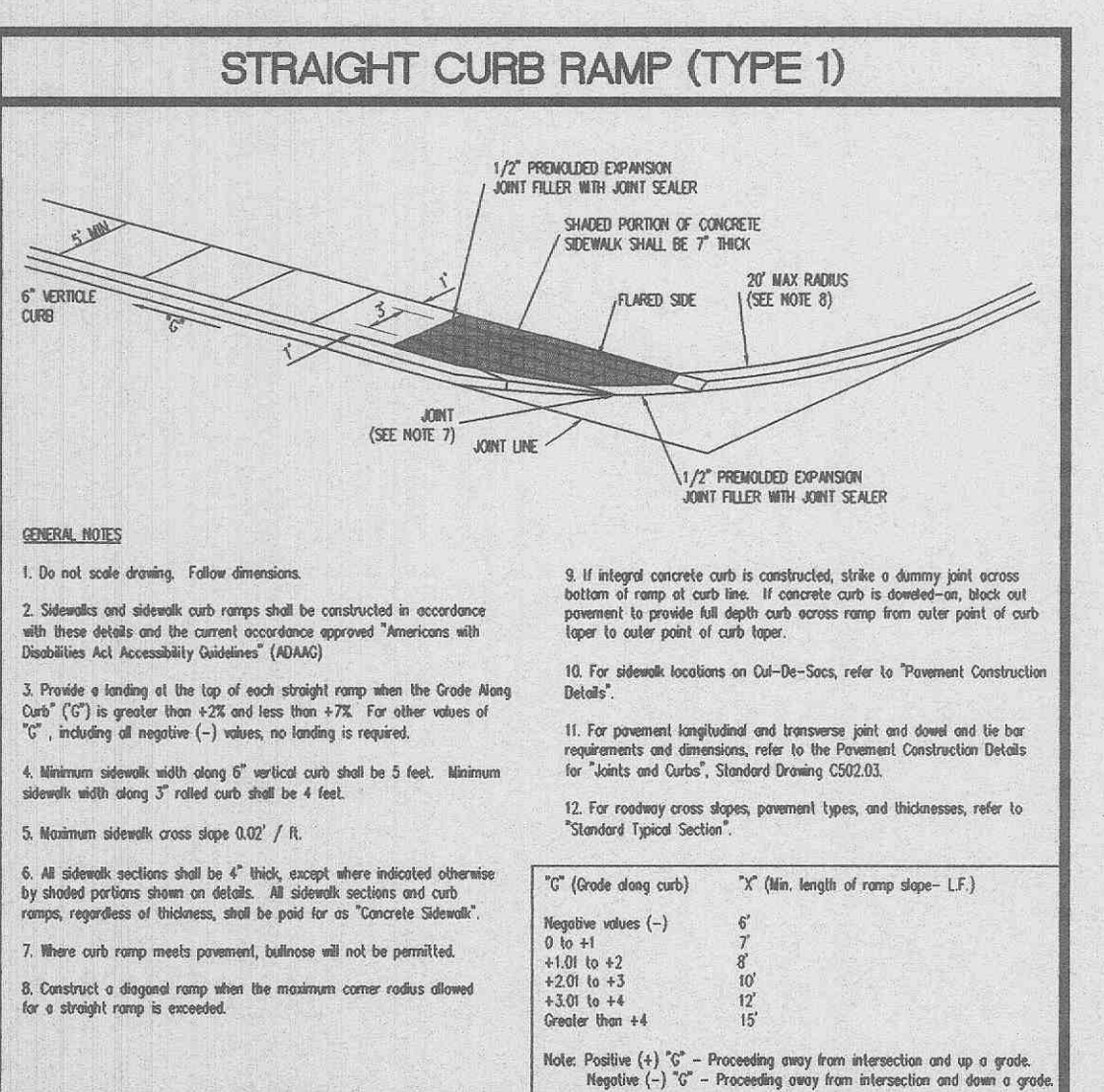
**Temporary:**  
 Wheat or Rye - 150 lbs./ac. (3.5 lbs. per 1000 square foot)  
 Oats - 120 lbs./ac. (2.75 lbs. per 1000 square foot)

**Seeding Periods:**  
 Fescue or Brome: March 1 to June 1  
 August 1 to October 1  
 March 15 to November 1  
 March 15 to September 15  
 Wheat or Rye: March 15 to November 1  
 March 15 to September 15

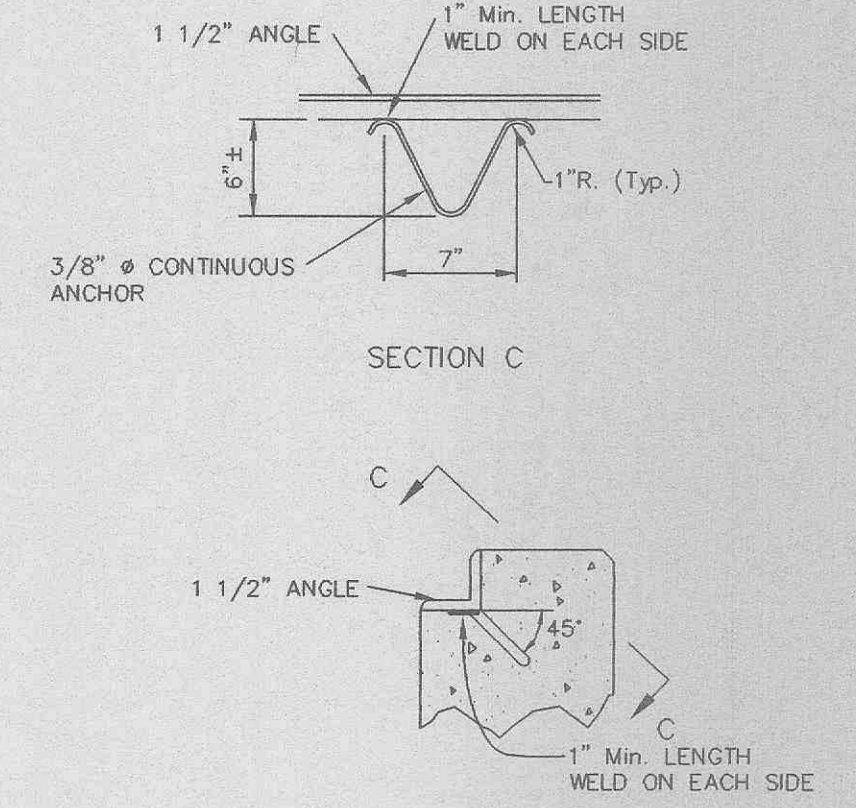
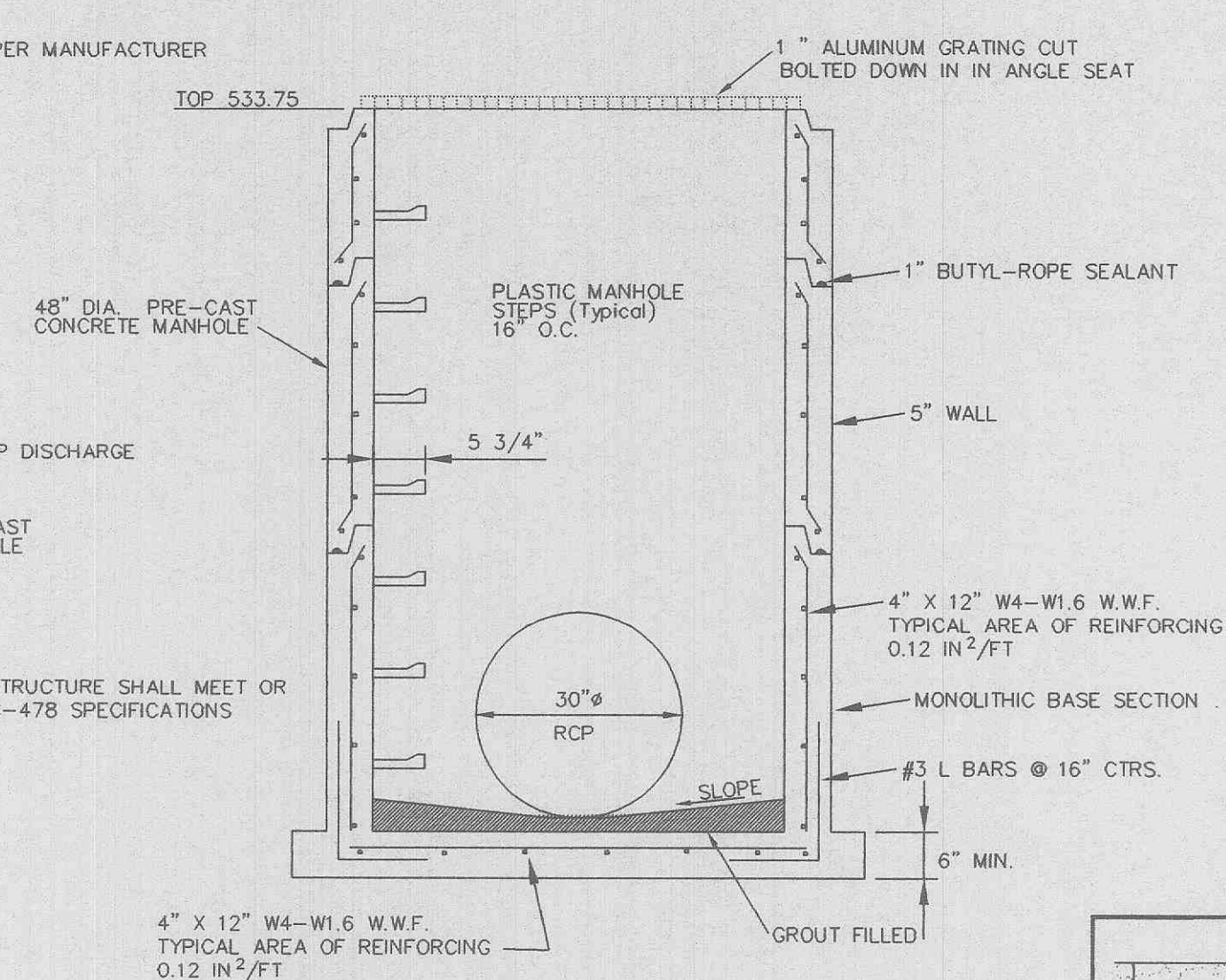
**Mulch Rates:**  
 100 lbs. Per 1,000 sq. ft. (4,356 lbs. per acre)

**Fertilizer Rates:**  
 Nitrogen: 30 lbs./ac.  
 Phosphate: 30 lbs./ac.  
 Potassium: 30 lbs./ac.  
 Lime: 600 lbs./ac. ENM\*

\*ENM - Effective Neutralizing Material as per State evaluation of quarried rock.

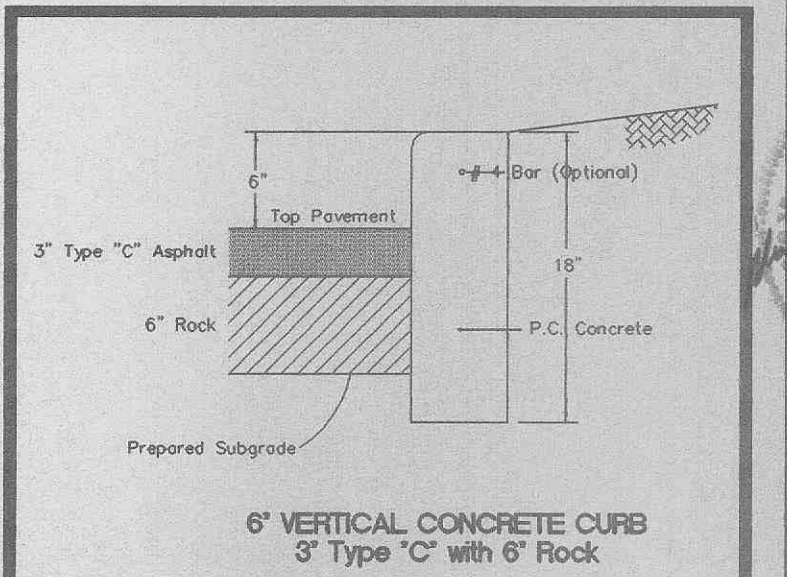
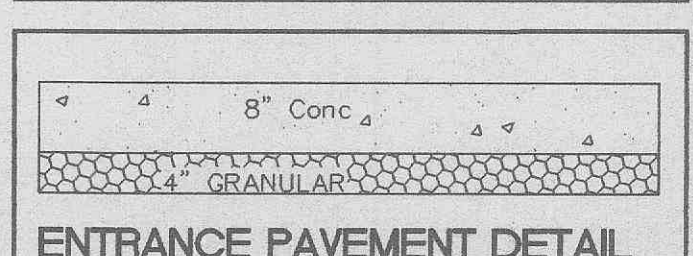
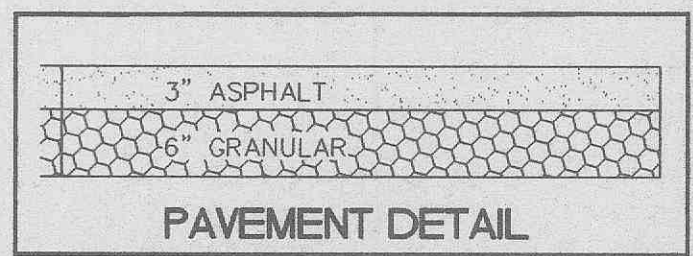


DETENTION STRUCTURE DETAIL



NOTE: ANGLE SEAT TO RECEIVE 2 COATS OF EPOXY PAINT PRIOR TO INSTALLING GRATE.

DETAIL OF CONTINUOUS ANCHOR FOR ANGLE SEAT N.T.S.



Revised as per S&A 05/16/01

DETAILS  
 DARDENNE PRESBYTERIAN CHURCH

ST. CHARLES ENGINEERING & SURVEYING, INC.  
 801 S. FIFTH STREET, SUITE 202  
 ST. CHARLES, MO 63301  
 TEL:(636) 947-6607 FAX:(636) 947-2448

S&S



ORDER NO.  
 20-1427-01  
 DATE  
 04/04/01  
 C-10