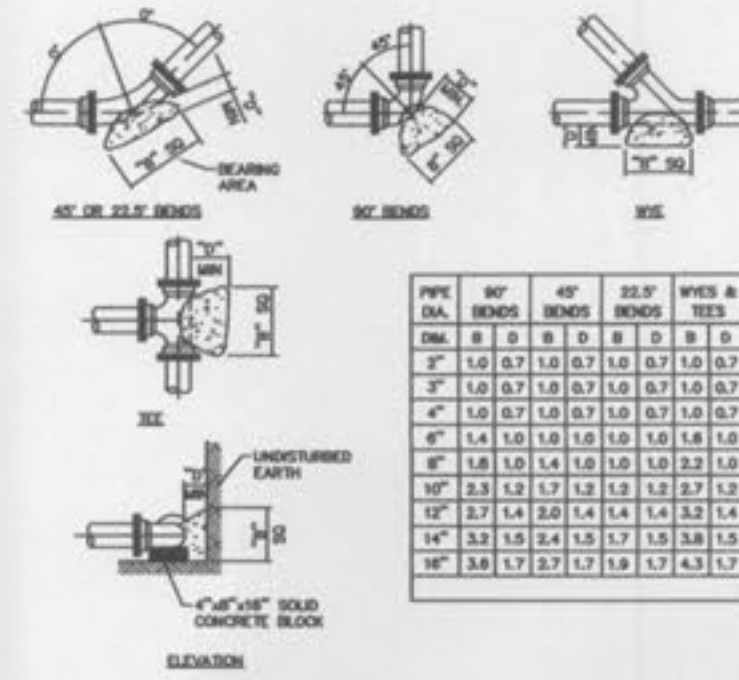
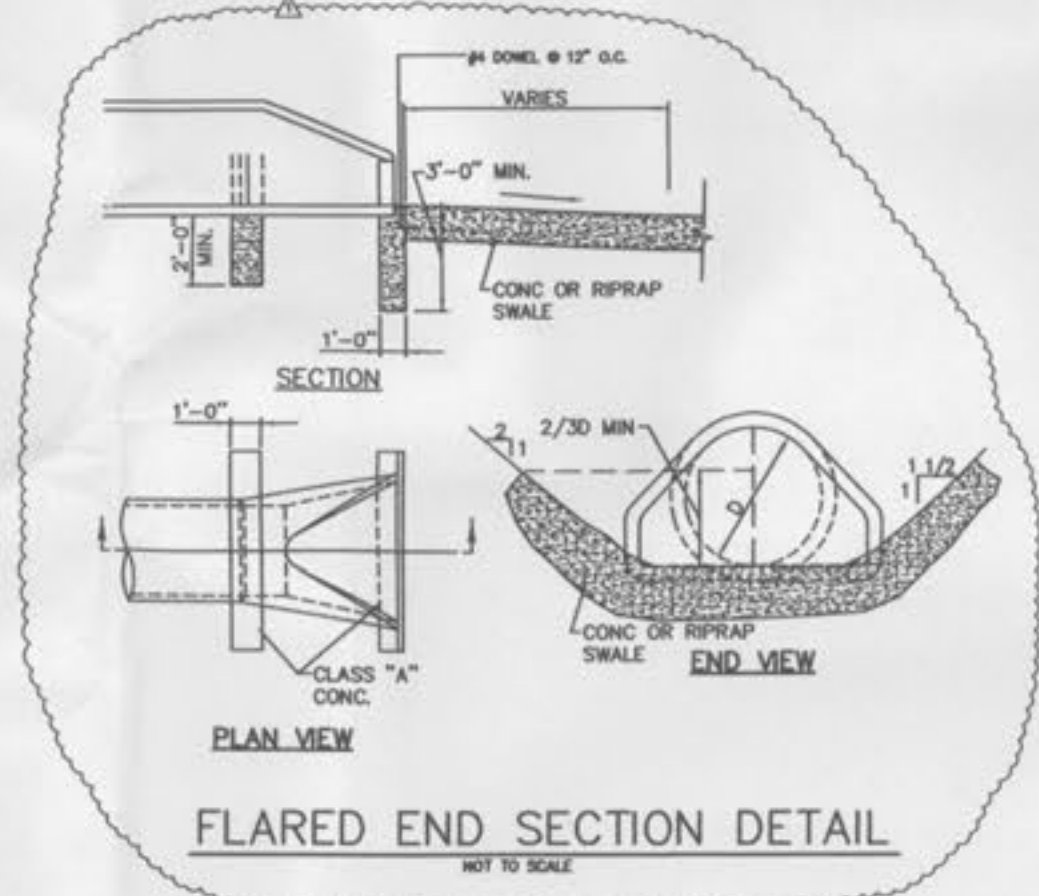
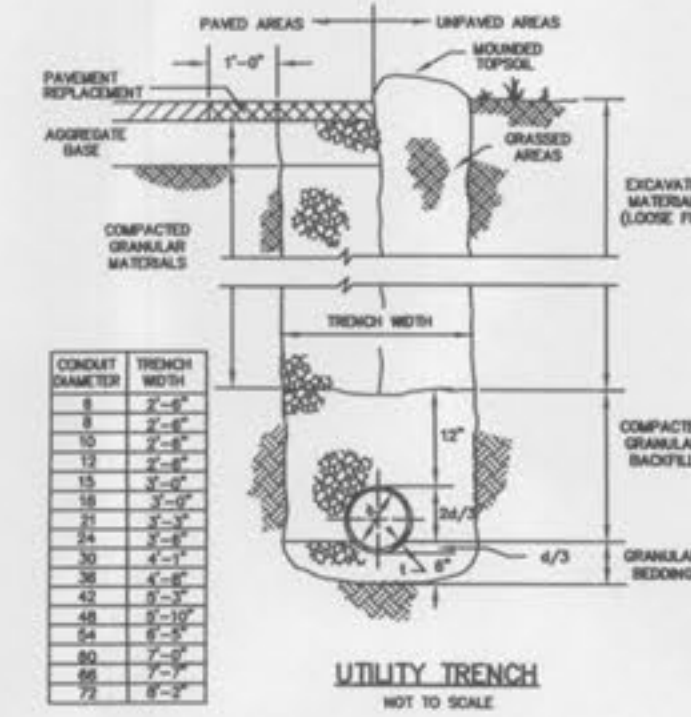


METER BOX FOR SPLIT WATER SERVICE  
NOT TO SCALE



THRUST BLOCKS  
NOT TO SCALE



FLARED END SECTION DETAIL  
NOT TO SCALE



NO.	DESCRIPTION	DATE
1	DESIGNED BY	
2	CHECKED BY	
3	DATE	

WATER SYSTEM DETAILS  
DELMAR GARDENS

DELMAR GARDENS ENTERPRISES, INC.  
101 South Hanley Road  
St. Louis, Missouri 63105  
(314) 862-0045

the clayton engineering company, inc.  
ENGINEERED & DESIGNED BY  
IN MISSOURI, SINCE 1922  
1001 SOUTH HANLEY ROAD  
ST. LOUIS, MISSOURI 63105  
(314) 862-0045

00228.1  
C-16 of 16