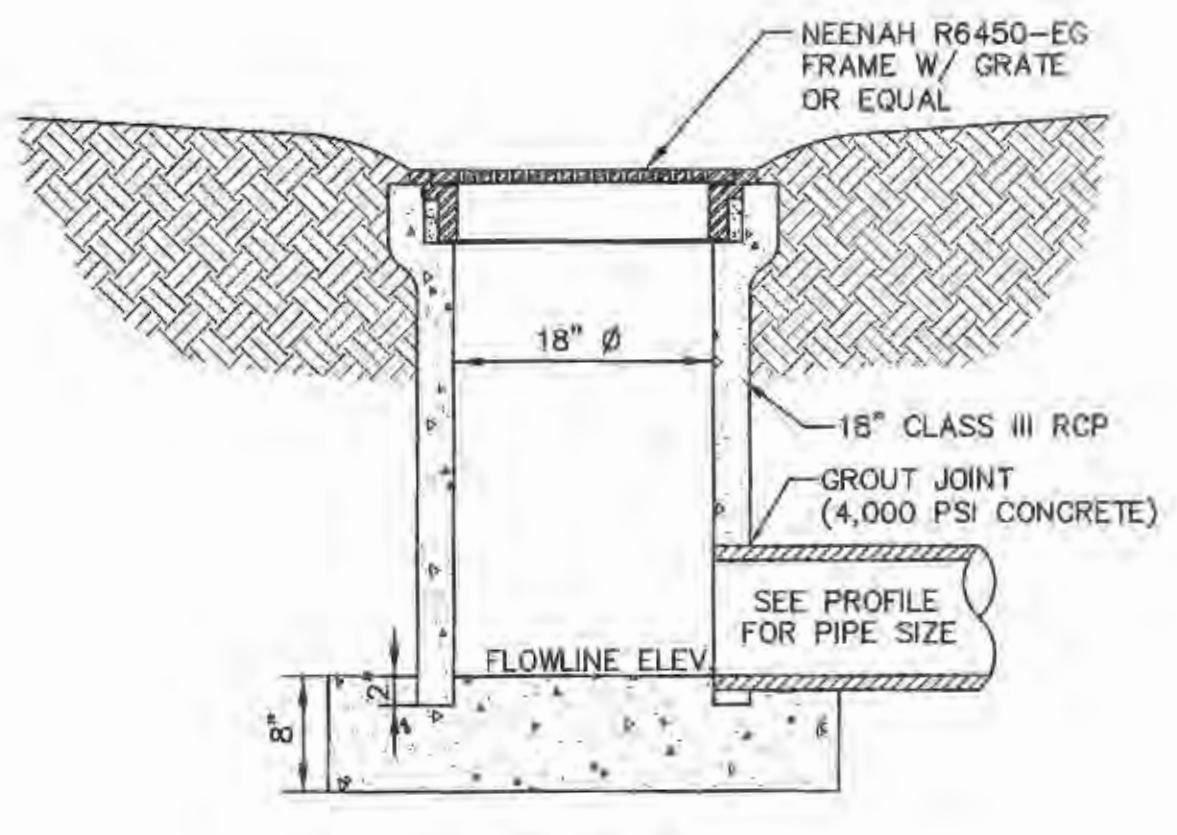
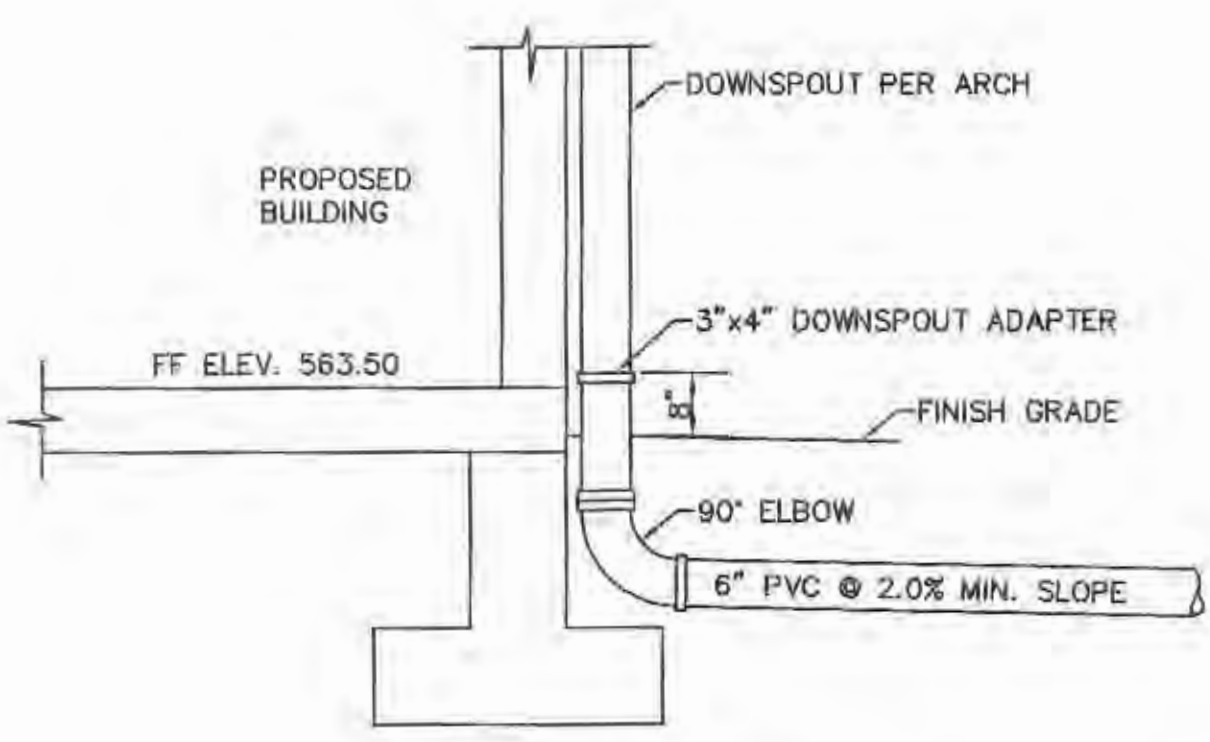


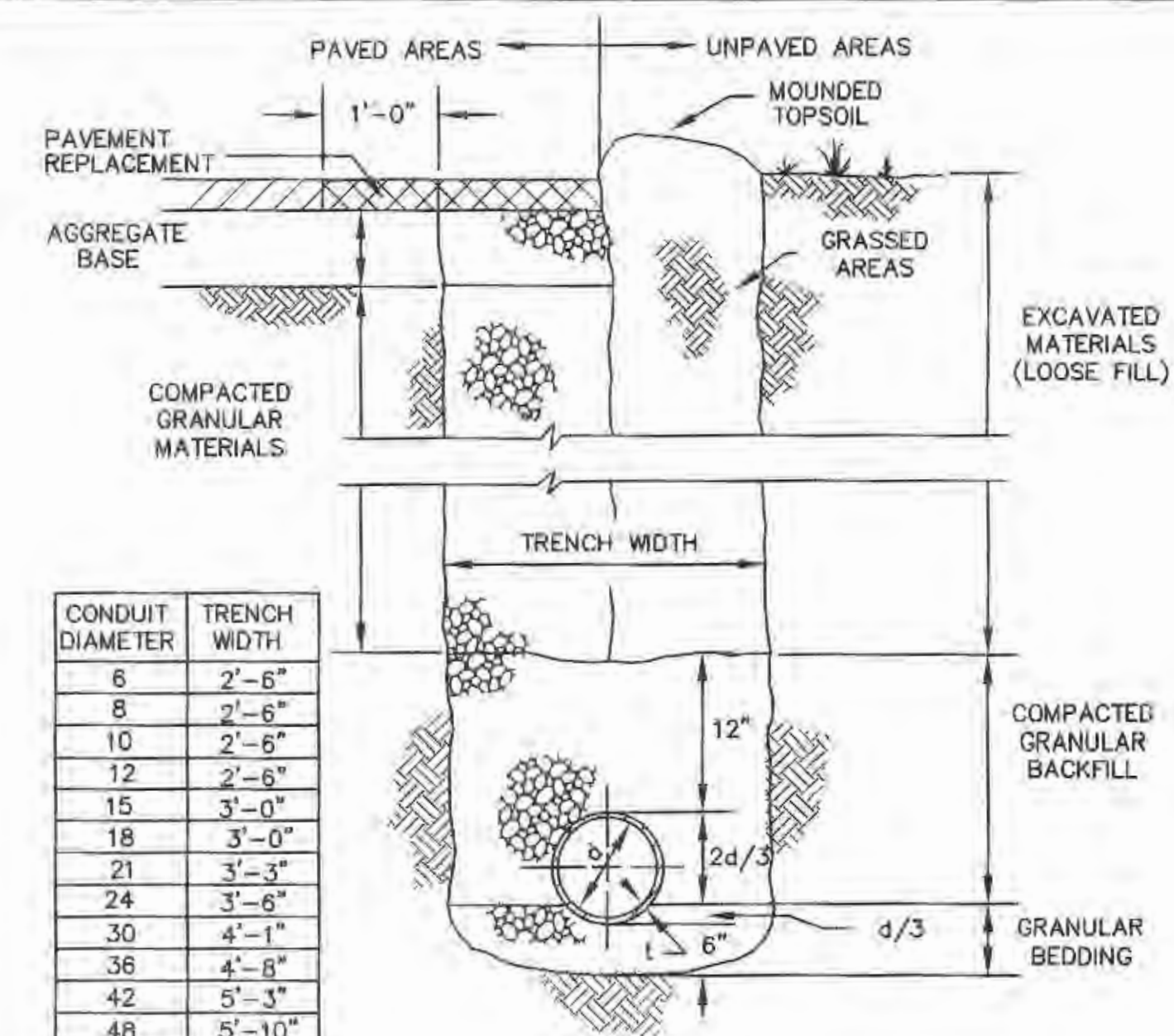
**SEWER CLEANOUT**  
NOT TO SCALE



**YARD CATCH BASIN, "YCB"**  
NOT TO SCALE

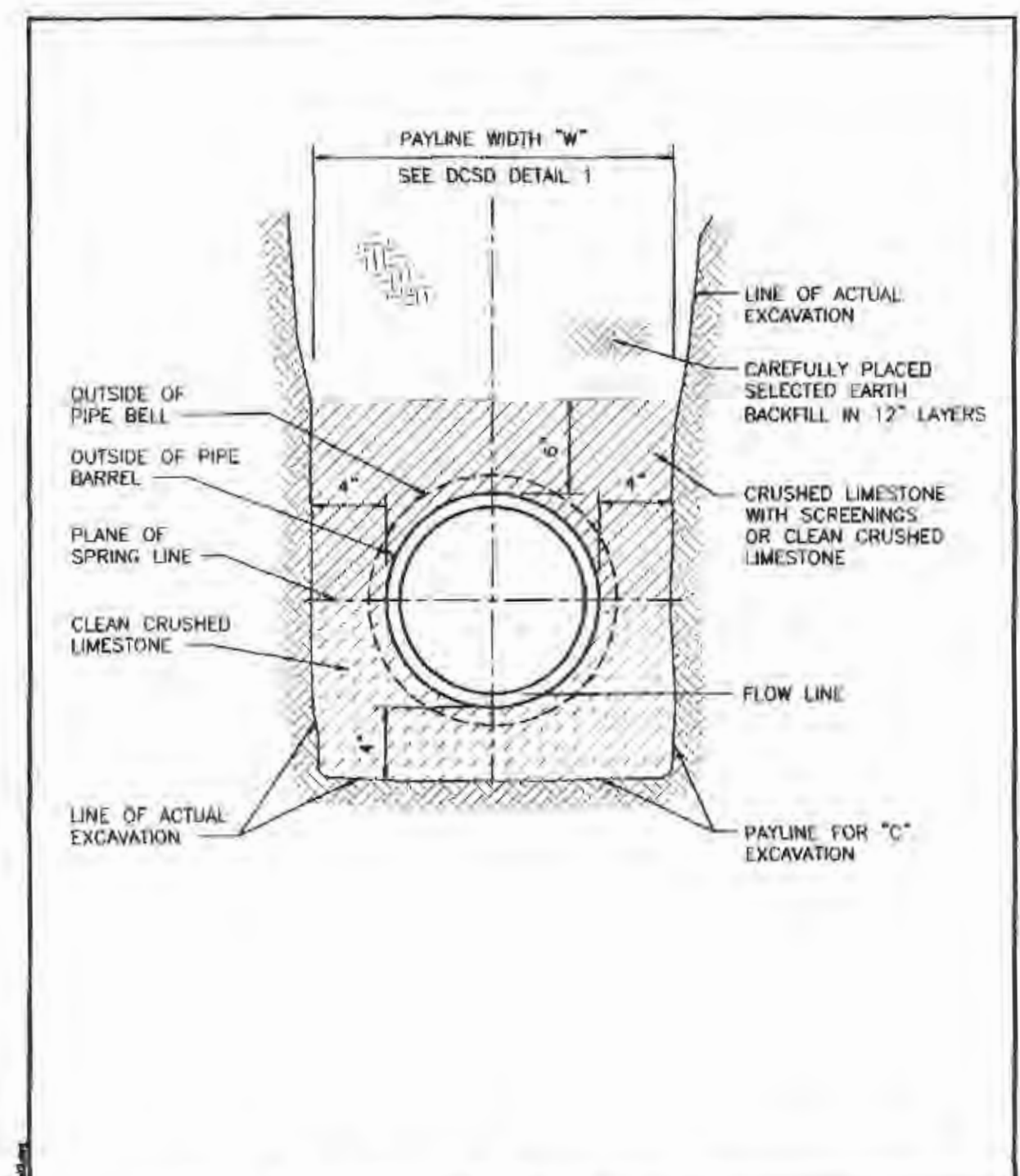


**DOWNSPOUT DETAIL**  
SCALE: 1/2" = 1'-0"

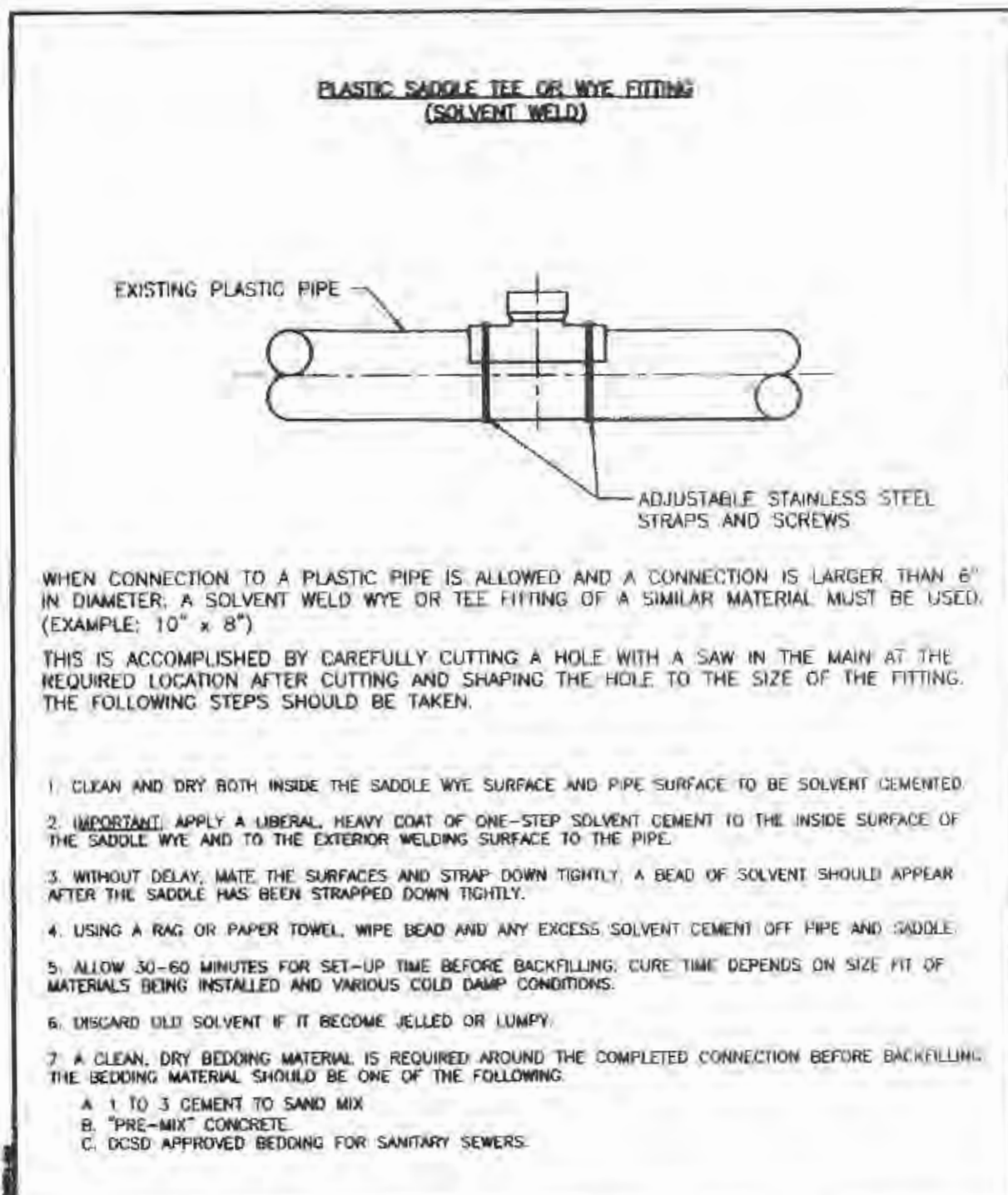


CONDUIT DIAMETER	TRENCH WIDTH
6	2'-6"
8	2'-6"
10	2'-6"
12	2'-6"
15	3'-0"
18	3'-0"
21	3'-3"
24	3'-6"
30	4'-1"
36	4'-8"
42	5'-3"
48	5'-10"
54	6'-5"
60	7'-0"
66	7'-7"
72	8'-2"

**UTILITY TRENCH**  
NOT TO SCALE



**Duckett Creek Sanitary District**  
PIPE BEDDING CLASS "C"  
(FOR ALL PIPE EXCEPT REINFORCED CONCRETE PIPE)

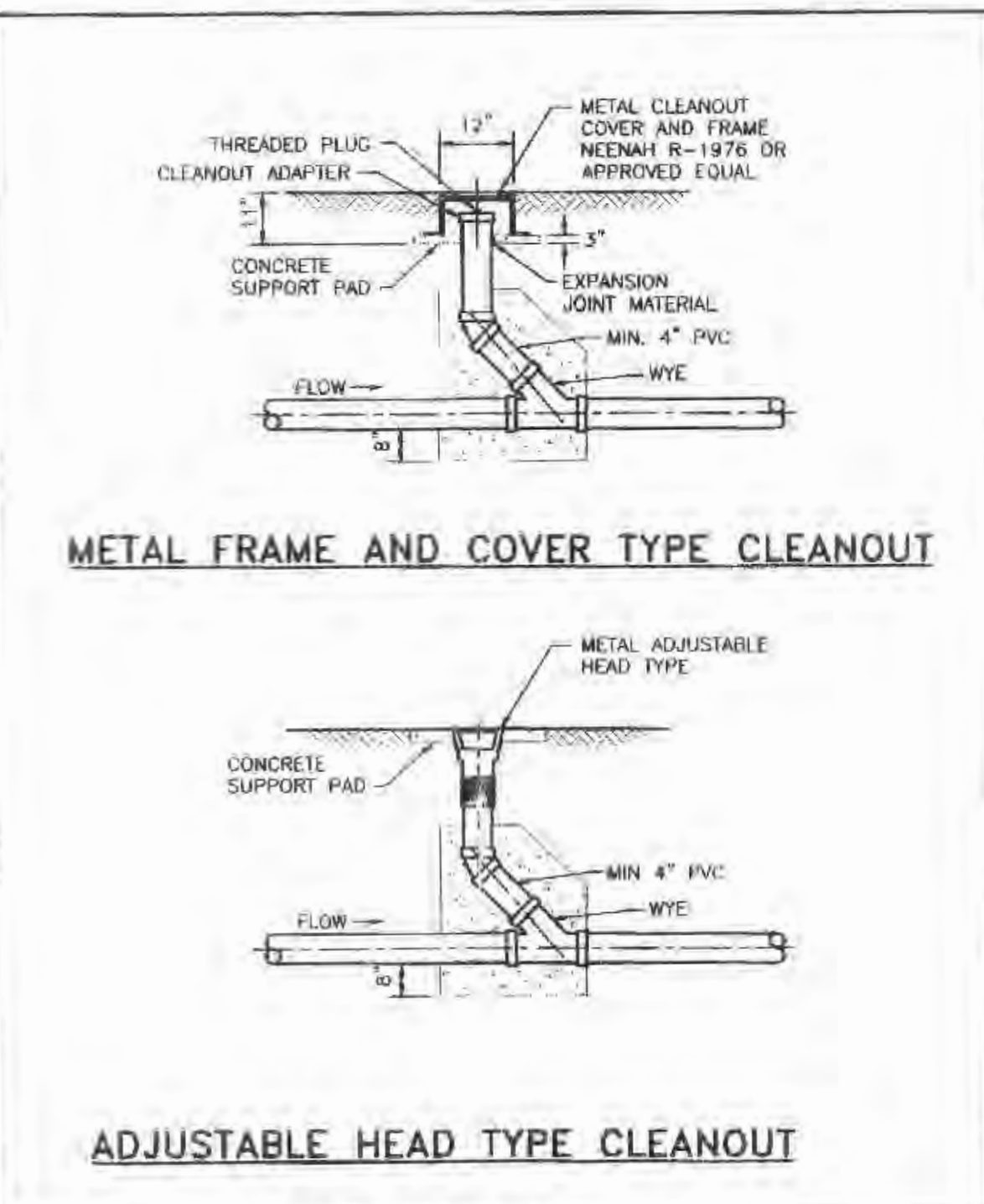


WHEN CONNECTION TO A PLASTIC PIPE IS ALLOWED AND A CONNECTION IS LARGER THAN 6" IN DIAMETER, A SOLVENT WELD WYE OR TEE FITTING OF A SIMILAR MATERIAL MUST BE USED. (EXAMPLE: 10" x 8")

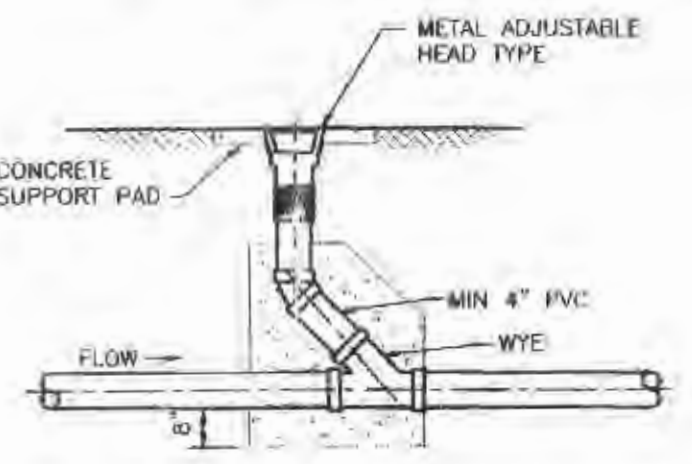
THIS IS ACCOMPLISHED BY CAREFULLY CUTTING A HOLE IN THE MAIN AT THE REQUIRED LOCATION AFTER CUTTING AND SHAPING THE HOLE TO THE SIZE OF THE FITTING. THE FOLLOWING STEPS SHOULD BE TAKEN:

1. CLEAN AND DRY BOTH INSIDE THE SADDLE WYE SURFACE AND PIPE SURFACE TO BE SOLVENT CEMENTED.
2. IMPORTANT: APPLY A LIBERAL, HEAVY COAT OF ONE-STEP SOLVENT CEMENT TO THE INSIDE SURFACE OF THE SADDLE WYE AND TO THE EXTERIOR WELDING SURFACE TO THE PIPE.
3. WITHOUT DELAY, MATE THE SURFACES AND STRAP DOWN TIGHTLY. A BEAD OF SOLVENT SHOULD APPEAR AFTER THE SADDLE HAS BEEN STRAPPED DOWN TIGHTLY.
4. USING A RAG OR PAPER TOWEL, WIPE BEAD AND ANY EXCESS SOLVENT CEMENT OFF PIPE AND SADDLE.
5. ALLOW 30-60 MINUTES FOR SET-UP TIME BEFORE BACKFILLING. CURE TIME DEPENDS ON SIZE FIT OF MATERIALS BEING INSTALLED AND VARIOUS COULD DAMP CONDITIONS.
6. DISCARD OLD SOLVENT IF IT BECOME JELLED OR LUMPY.
7. A CLEAN, DRY BEDDING MATERIAL IS REQUIRED AROUND THE COMPLETED CONNECTION BEFORE BACKFILLING. THE BEDDING MATERIAL SHOULD BE ONE OF THE FOLLOWING:
  - A. 1 TO 3 CEMENT TO SAND MIX
  - B. "TWE-MIX" CONCRETE
  - C. DCSO APPROVED BEDDING FOR SANITARY SEWERS

**Duckett Creek Sanitary District**  
B" & LARGER CONNECTION TO PLASTIC MAIN

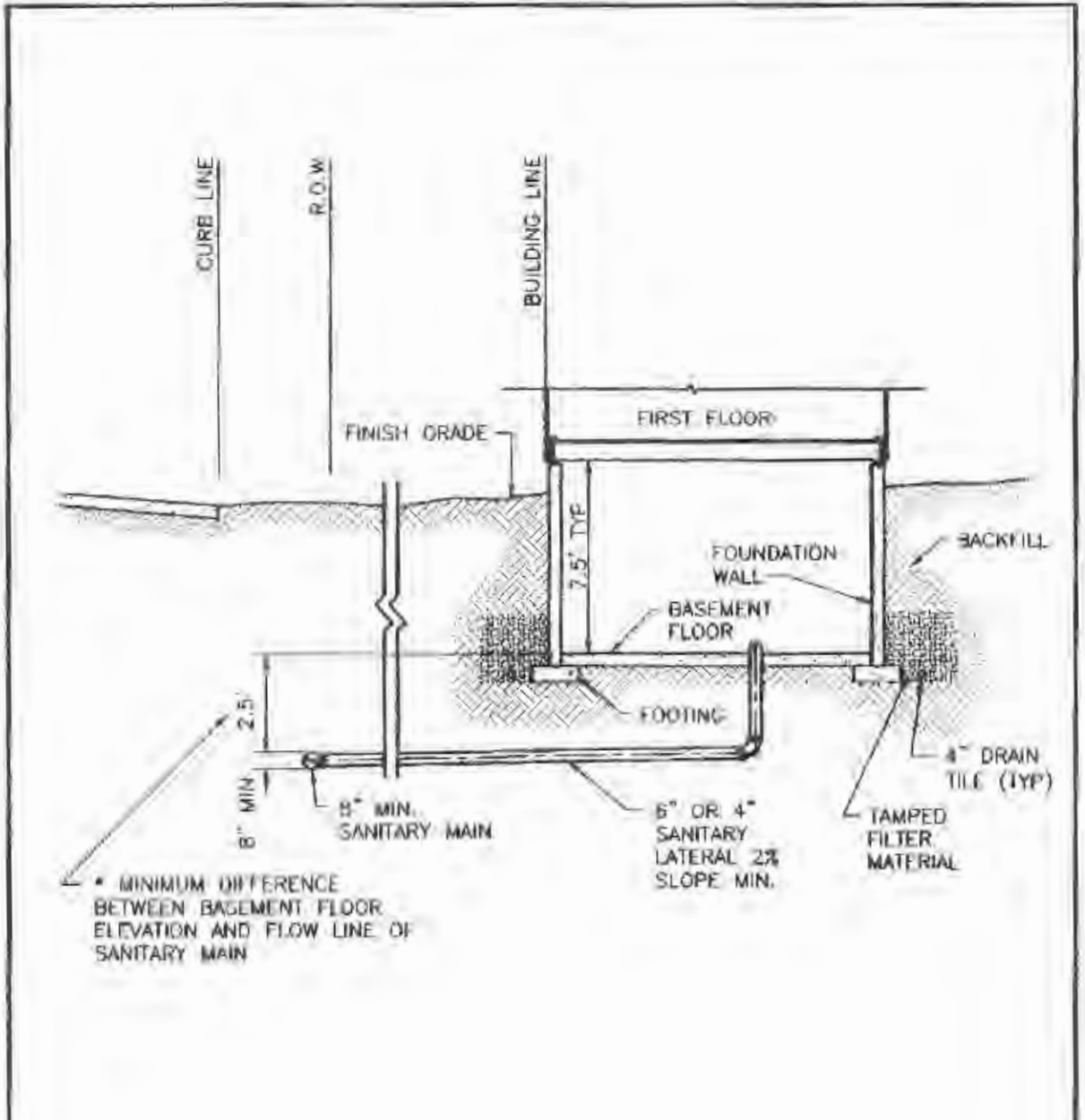


**METAL FRAME AND COVER TYPE CLEANOUT**

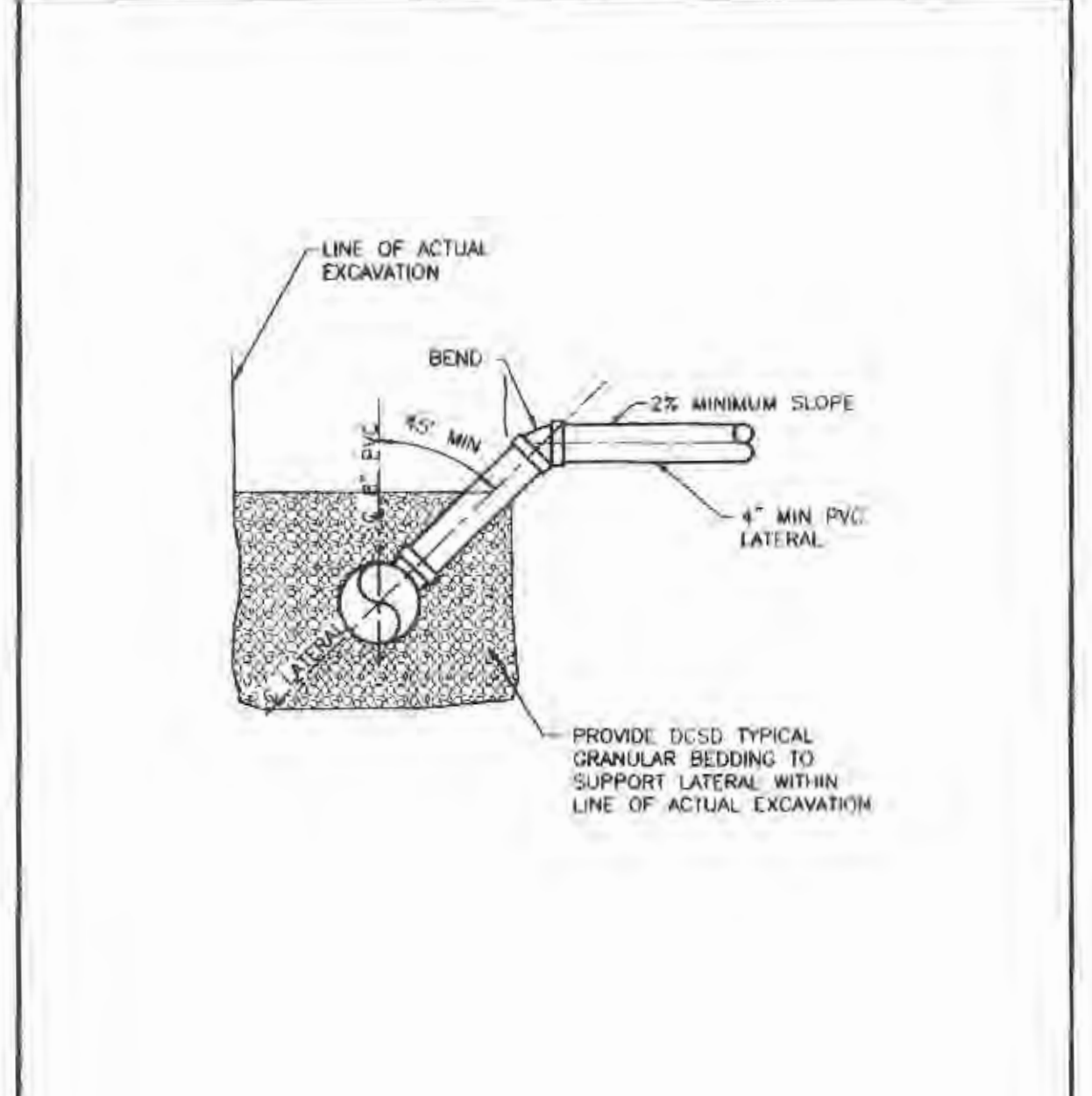


**ADJUSTABLE HEAD TYPE CLEANOUT**

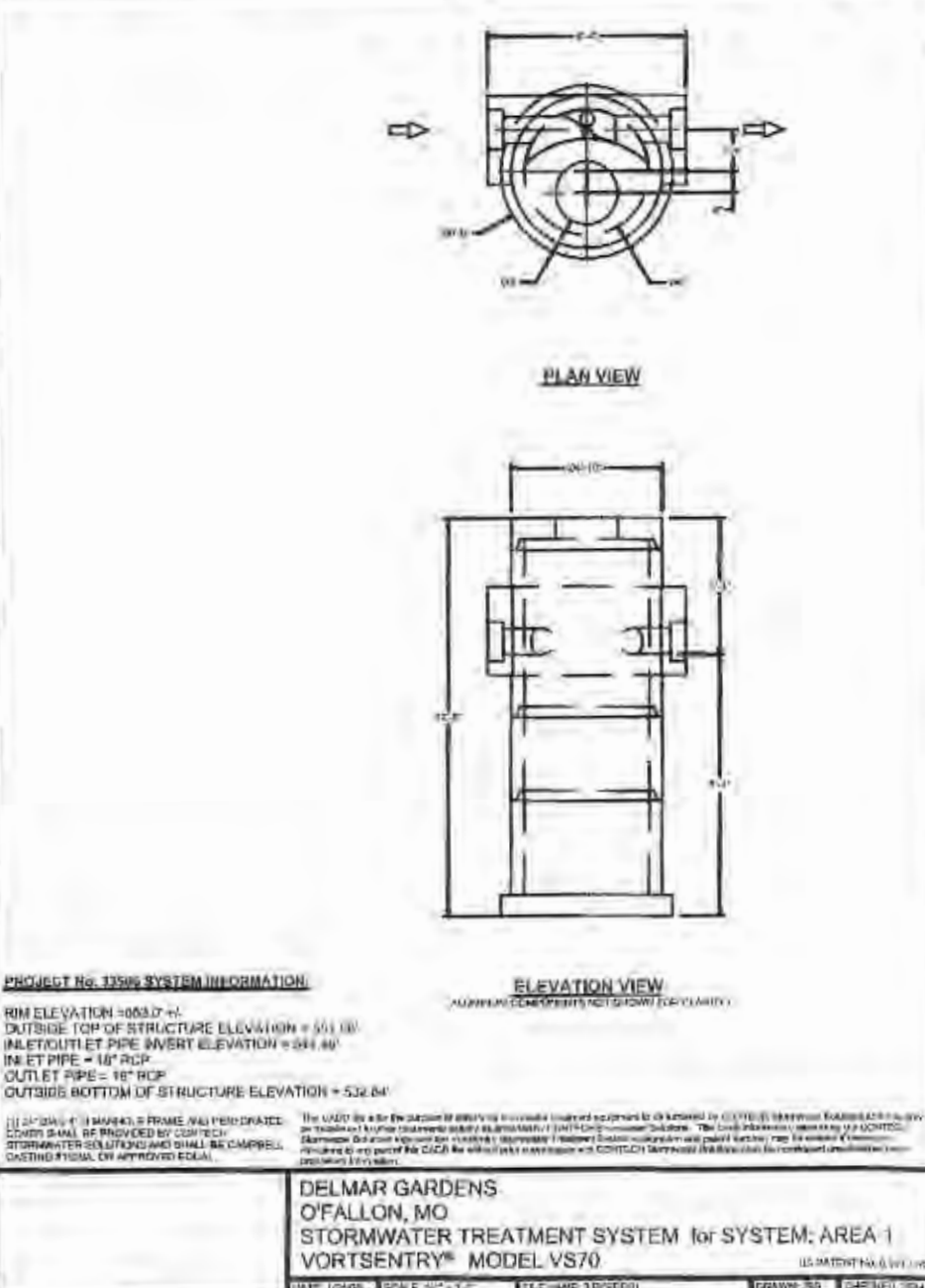
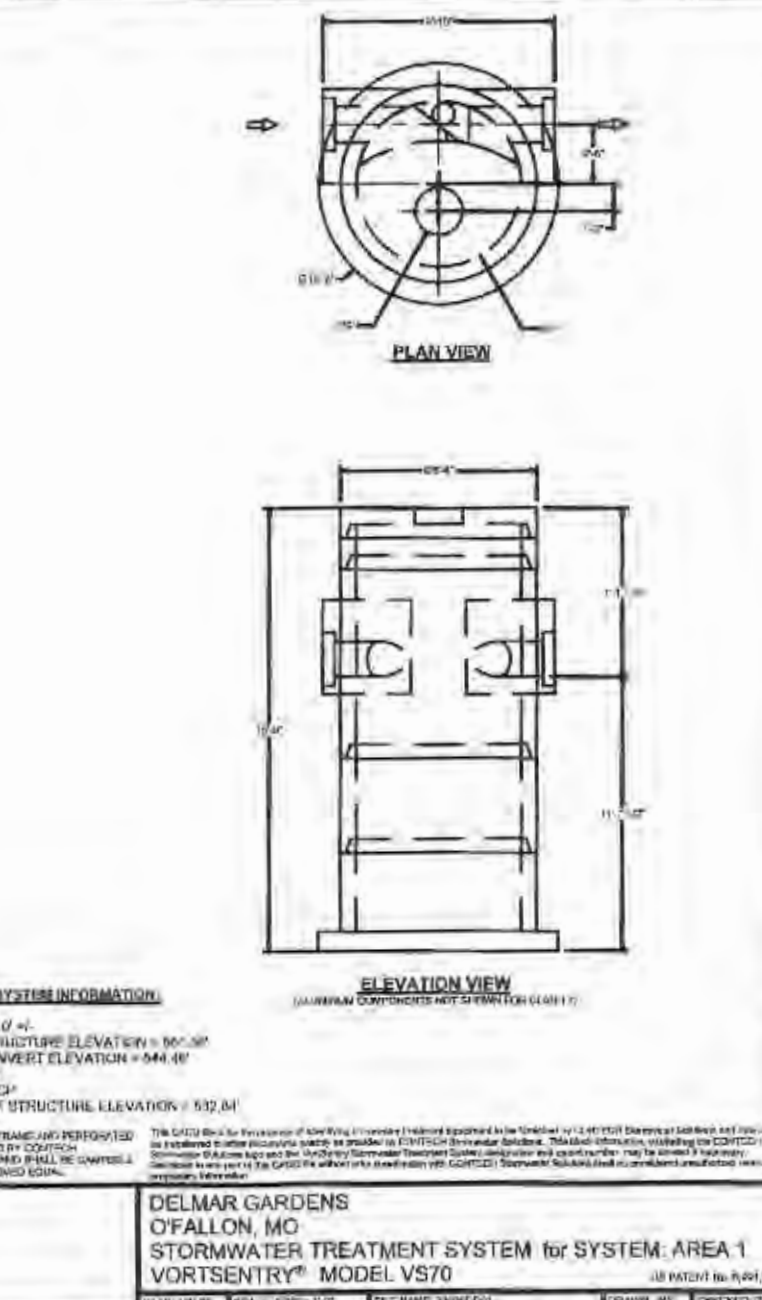
**Duckett Creek Sanitary District**  
TYPICAL SEWER LATERAL CLEANOUT DETAILS



**Duckett Creek Sanitary District**  
TYPICAL SANITARY SEWER LATERAL PROFILE



**Duckett Creek Sanitary District**  
SANITARY SEWER LATERAL RISER DETAIL



Storm sewer inlets shall be marked with either of the following messages:

Manufacturer	Size	Adhesive	Style	Message (Part #)	Website
ACP International	3 7/8"	Epoxy	Crystal Cap	No Dumping Drains To Waterways (SD-W-CC)	www.acpinternational.com
DAS Manufacturing Inc.	4"	Epoxy	Standard Style	No Dumping Drains To Stream (#SD5)	www.dasmanufacturing.com

BID SET

REVISIONS

**UTILITY DETAILS**  
**SKILLED CARE EXPANSION**

Highway N and Twin Chimneys Boulevard, Offallon, Missouri 63366

Prepared for:  
**DELMAR GARDENS ENTERPRISES, INC.**  
14805 N. Outer 40  
Chesterfield, MO 63017  
636-733-7000

Copyright 2009 Clayton Engineering Co. All Rights Reserved.

the clayton engineering company, inc.  
ENGINEERS • SURVEYORS • PLANNERS  
11900 WESTLINE INDUSTRIAL DRIVE  
ST. LOUIS, MISSOURI 63148  
(314) 692-8888 FAX: (314) 692-8688  
clayton-engineering.com  
clayton-engineering@comcast.net  
No. Cert. of Authority: Prof. Engineering #00097 & Prof. Surveying #00014

Designed: RKF  
Drawn: RKF  
Checked: MJV  
Date: 01/29/08

Project Number: 00228.11  
Sheet Number: C-7 of 10

DATE: 01/29/08

The signed and sealed original of this drawing is on file at the offices of The Clayton Engineering Company, Inc. The signed and sealed original is the official document and shall take precedence over any digital version.