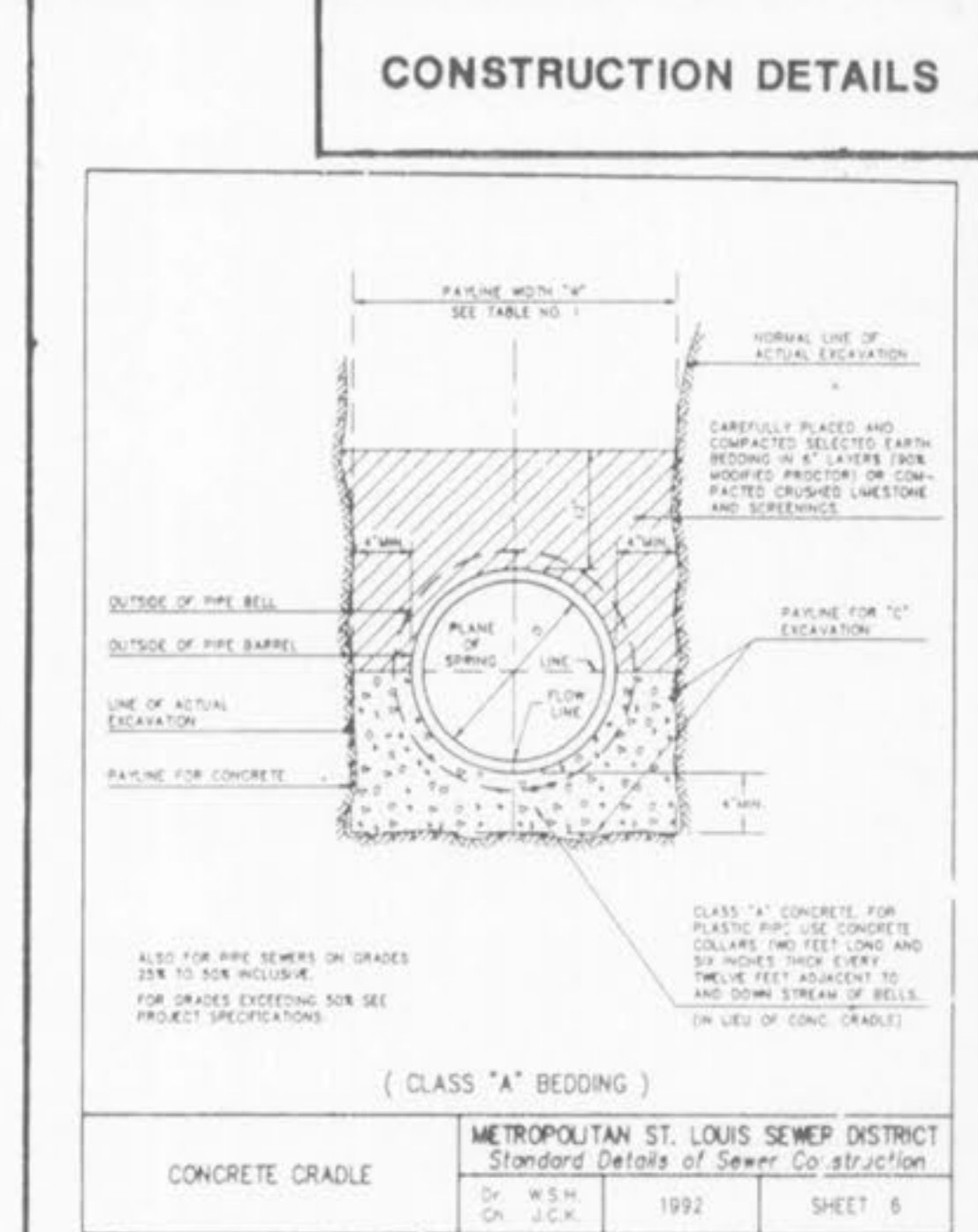
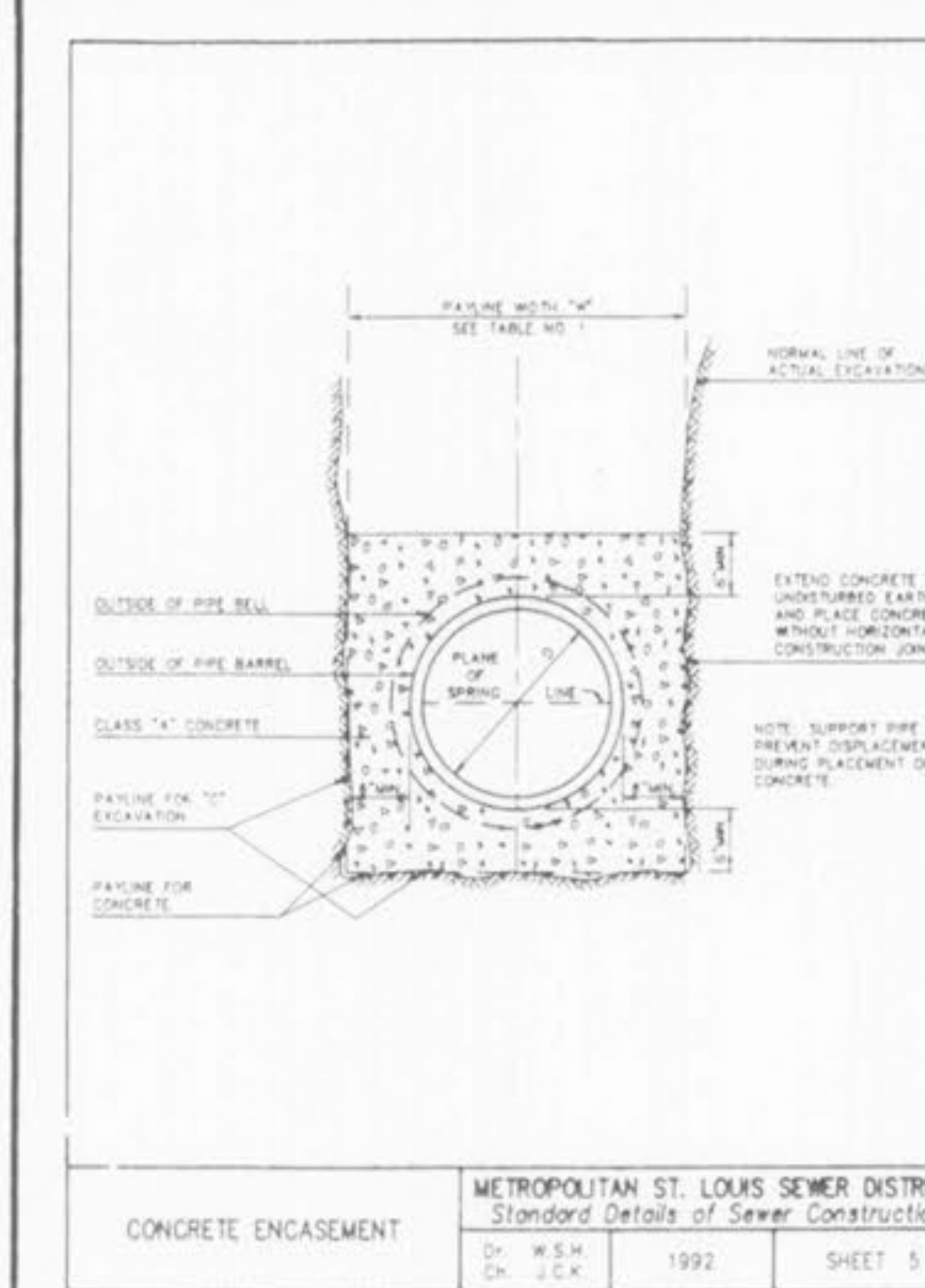
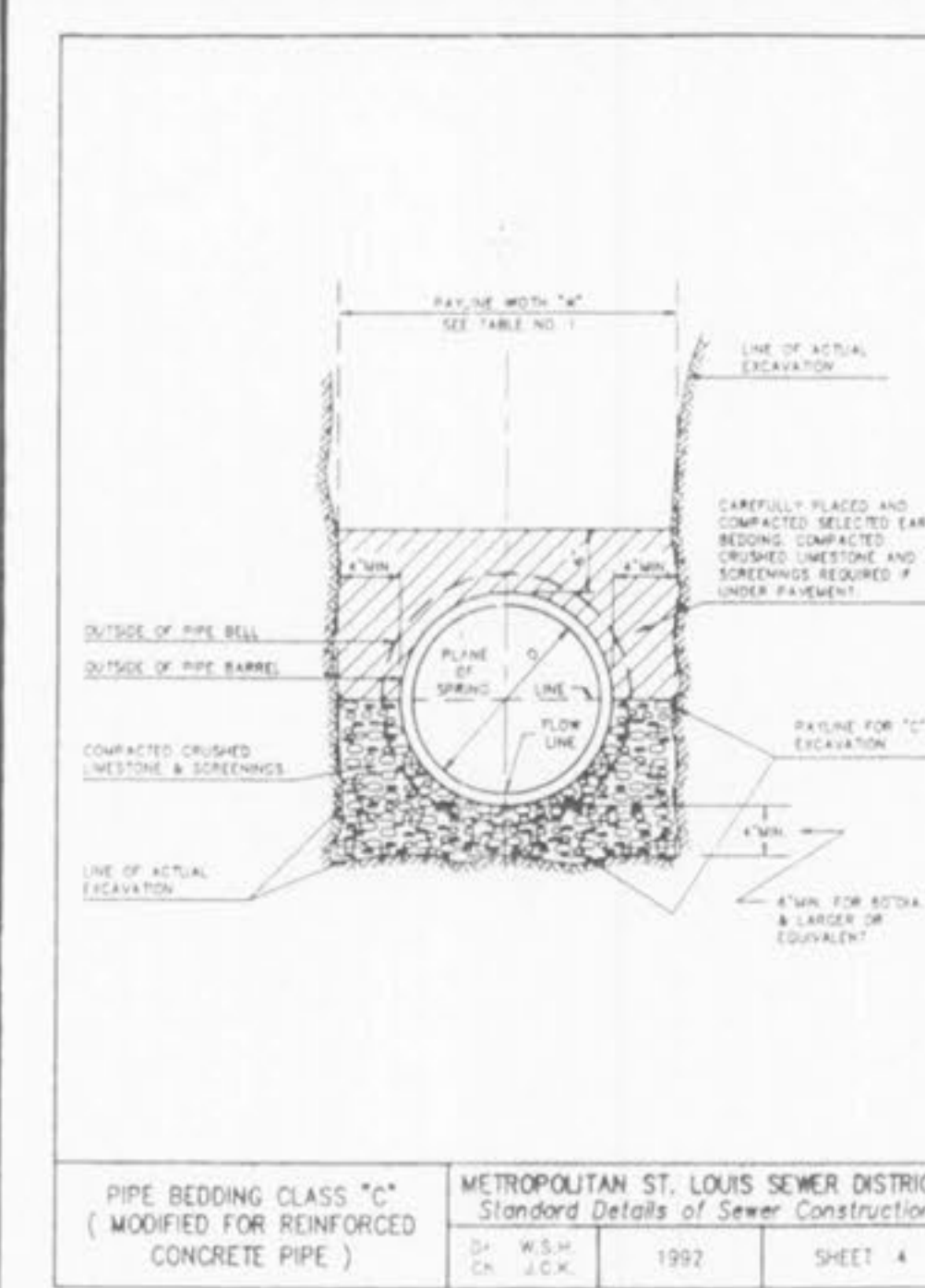
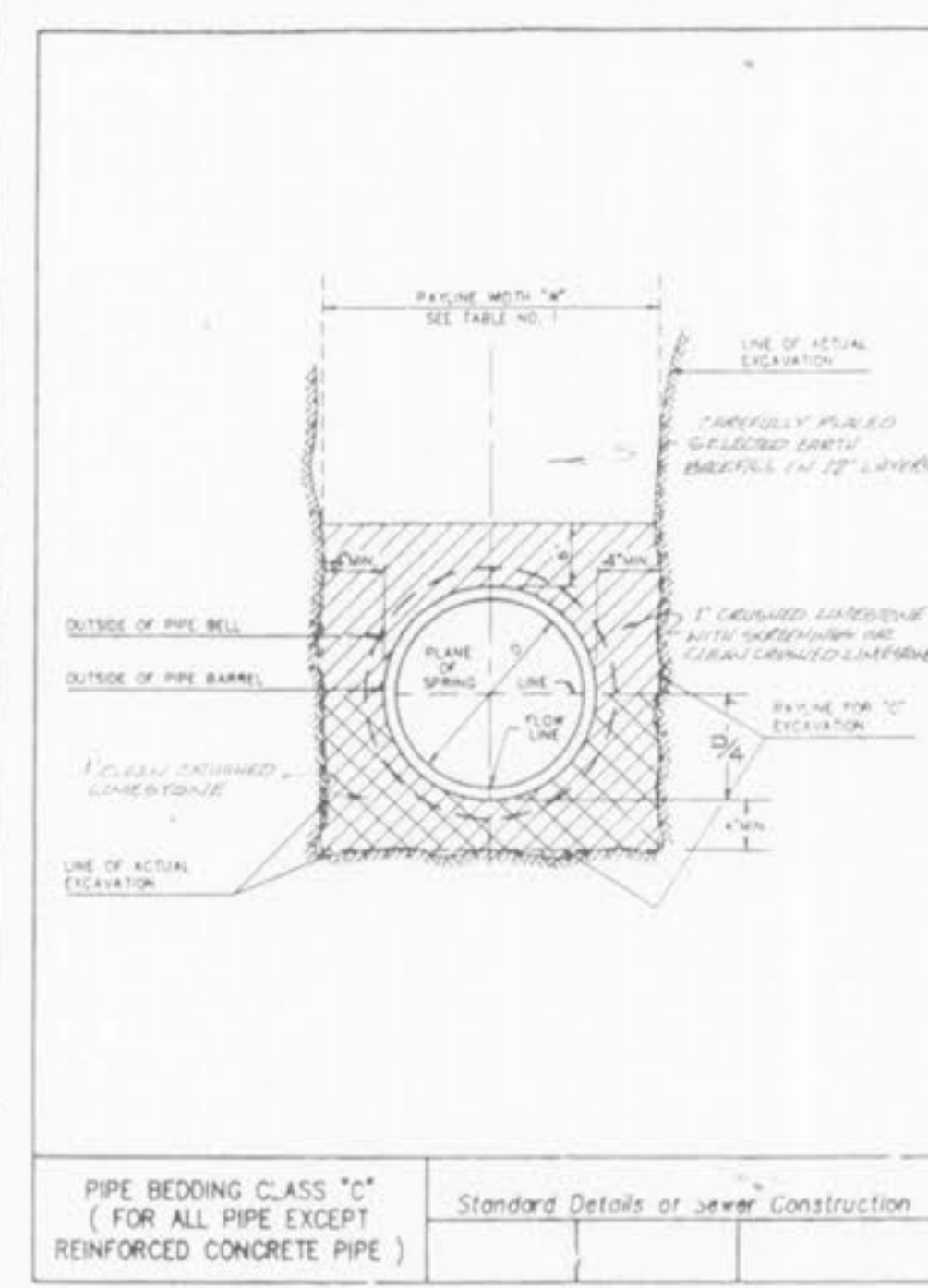
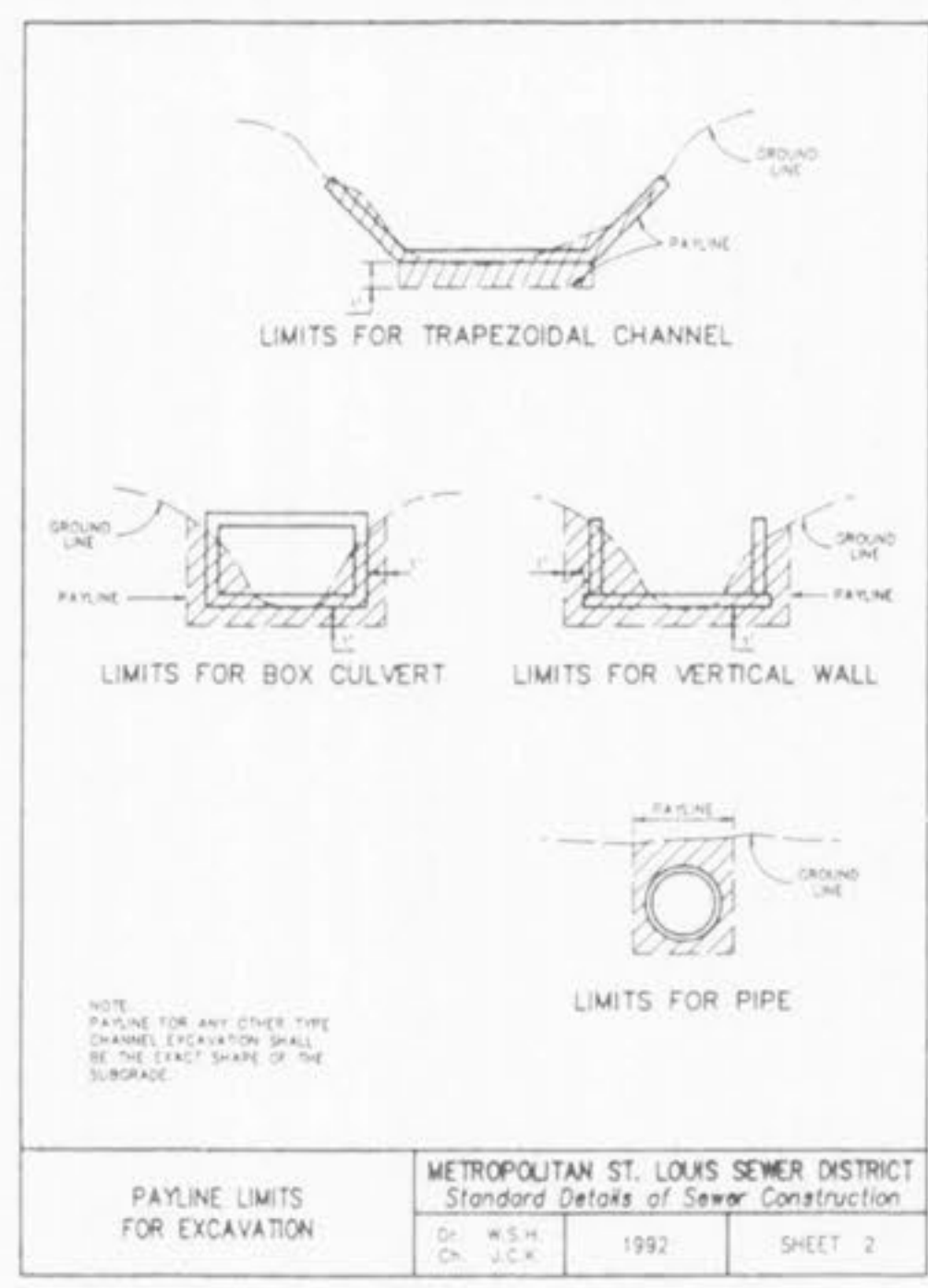


ROUND PIPE				HORIZONTAL ELLIPTICAL PIPE			
INSIDE DIAMETER OF PIPE (INCHES)	"W" PAYLINE WIDTH OF TRENCH (INCHES)	"W" PAYLINE WIDTH OF TRENCH (FEET)	PAY-LINES (SQ. FT. PER FT.)	INSIDE DIMENSIONS OF PIPE (INCHES)	"W" PAYLINE WIDTH OF TRENCH (INCHES)	"W" PAYLINE WIDTH OF TRENCH (FEET)	PAY-LINES (SQ. FT. PER FT.)
4	30	2.50	3.28				
6	30	2.50	3.59				
8	30	2.50	3.87				
10	30	2.50	4.08				
12	30	2.50	4.25				
15	38	3.00	5.55				
18	38	3.00	6.77	14 x 23	41	3.42	5.94
21	38	3.00	8.81				
24	42	3.50	7.76	18 x 30	49	4.08	7.68
27	42	3.50	8.18	22 x 34	53	4.42	8.81
30	48	4.00	8.30	24 x 38	58	4.83	9.70
33	48	4.00	10.33	27 x 42	62	5.17	10.71
36	48	4.00	11.43	28 x 45	66	5.50	11.72
38	54	4.50	13.38	32 x 48	71	5.92	13.14
42	60	5.00	13.38	34 x 52	75	6.25	14.00
48	70	5.83	15.87	38 x 60	83	6.92	16.18
54	77	6.42	18.15	42 x 66	92	7.67	18.39
60	84	7.00	20.53	48 x 78	100	8.42	21.39
66	91	7.58	23.45	52 x 82	109	9.18	24.35
72	98	8.17	26.37	56 x 91	118	9.93	27.45
78	105	8.75	29.29	62 x 98	128	10.50	30.50
84	112	9.33	32.21	66 x 106	135	11.25	33.81
90	119	9.92	35.80	72 x 112	143	11.93	36.89
96	126	10.50	38.37	77 x 121	152	12.67	40.89
102	133	11.08	42.99	82 x 128	160	13.35	44.45
108	140	11.67	48.75	87 x 136	168	14.00	47.79
114	147	12.25	50.68	92 x 143	176	14.67	51.70
120	154	12.83	54.72	97 x 151	185	15.42	56.07
126	161	13.42	58.93				
132	168	14.00	63.27	106 x 168	202	16.83	64.48
144	182	15.17	72.40	116 x 180	218	18.17	73.59

TABLE 1
PAYLINE WIDTHS OF TRENCH AND PAY-QUANTITIES OF CONCRETE
METROPOLITAN ST. LOUIS SEWER DISTRICT
Standard Details of Sewer Construction
D: W.S.H. CH. J.C.K. 1992 SHEET 1



SECTION OF MANHOLE			DIMENSION		
TOP TRANSITION	UPPER	26 1/2" DIA.			
	LOWER	42" DIA.			
BOTTOM SECTION	8" THRU 24" DIA. PIPE	42" DIA.			
	27" THRU 36" DIA. PIPE	42" SQUARE			

TABLE NO. 2
STANDARD MANHOLE DIMENSIONS
METROPOLITAN ST. LOUIS SEWER DISTRICT
Standard Details of Sewer Construction
D: W.S.H. CH. J.C.K. 1992 SHEET 7

