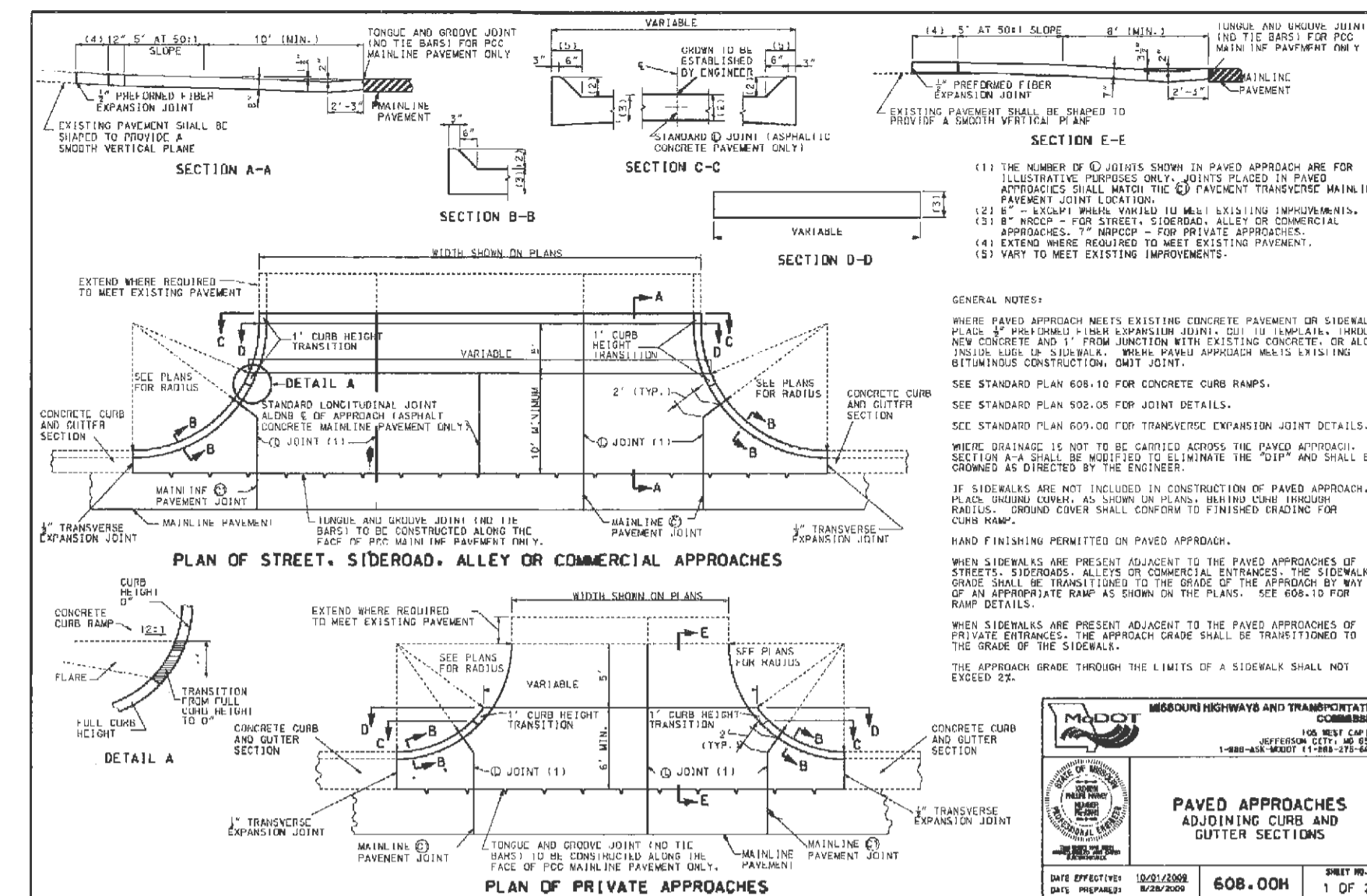
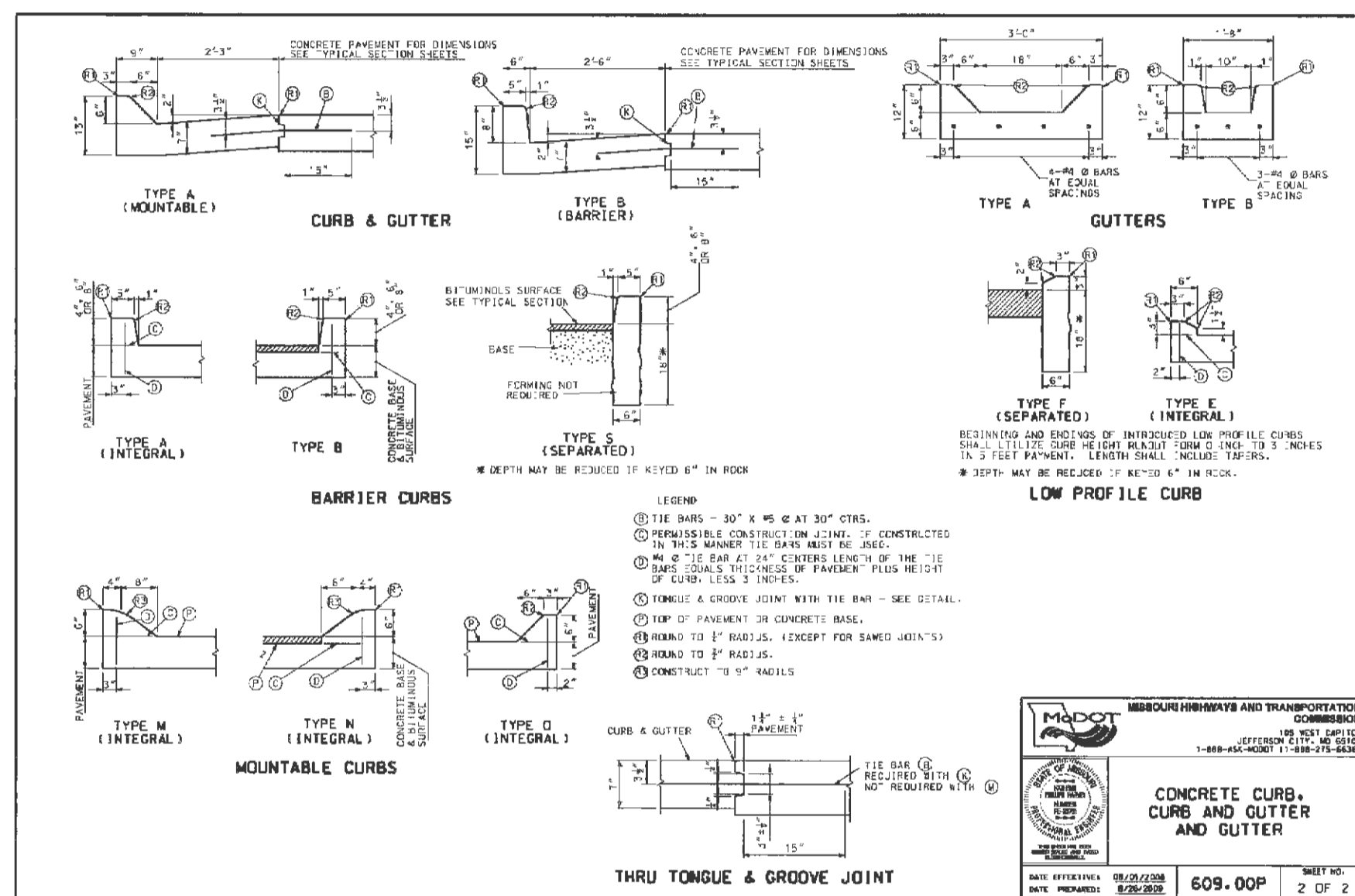


CROSS SECTION	CONDITION	TREATMENT	MAINLINE (2)	SIDE ROAD (3)
	PAVEMENT EDGE DIFFERENTIAL 2' TO 1/2"	NON-HOPPING HOISTS NO EDGE TREATMENT REQUIRED	NO SIGN REQUIRED	NO SIGN REQUIRED
	PAVEMENT EDGE DIFFERENTIAL 1/2' TO 1/4"	NON-HOPPING HOISTS NO EDGE TREATMENT REQUIRED	NO SIGN REQUIRED	NO SIGN REQUIRED
	PAVEMENT EDGE DIFFERENTIAL 1/4' TO 1/8"	NON-HOPPING HOISTS NO EDGE TREATMENT REQUIRED	NO SIGN REQUIRED	NO SIGN REQUIRED
	LANE LINE DIFFERENTIAL 1/2"	NON-HOPPING HOISTS NO EDGE TREATMENT REQUIRED	NO SIGN REQUIRED	NO SIGN REQUIRED
	LANE LINE DIFFERENTIAL 1/4"	NON-HOPPING HOISTS NO EDGE TREATMENT REQUIRED	NO SIGN REQUIRED	NO SIGN REQUIRED
	NO PAVEMENT EDGE OR LANE LINE DIFFERENTIAL	NON-HOPPING HOISTS NO EDGE TREATMENT REQUIRED	NO SIGN REQUIRED	NO SIGN REQUIRED

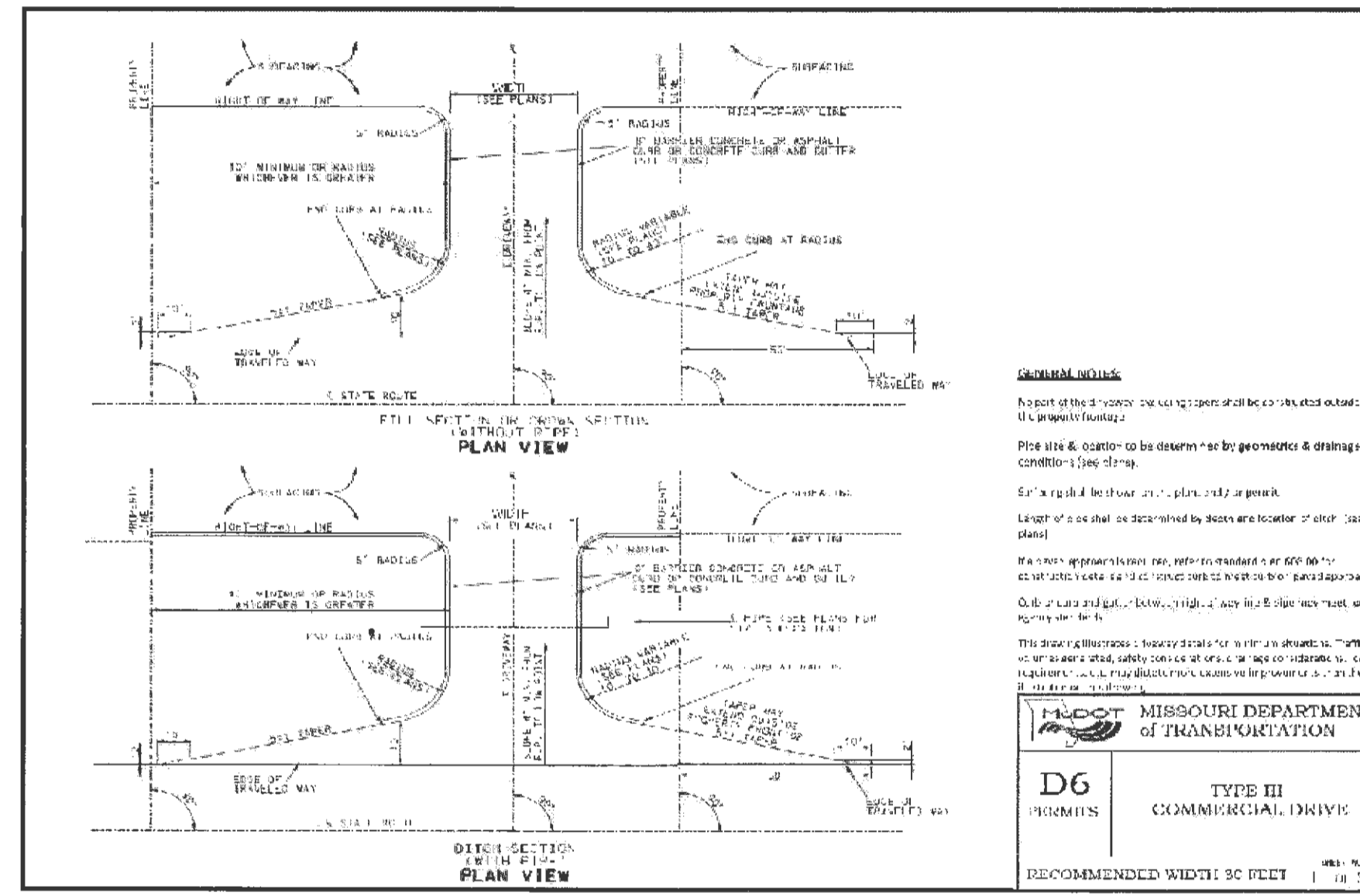
MISSOURI HIGHWAYS AND TRANSPORTATION COMMISSION
PAVEMENT EDGE TREATMENT
 SHEET NO. 619.10C
 DATE PUBLISHED: 02/20/08
 DATE REVISED: 02/20/08
 SHEET NO. 1 OF 1



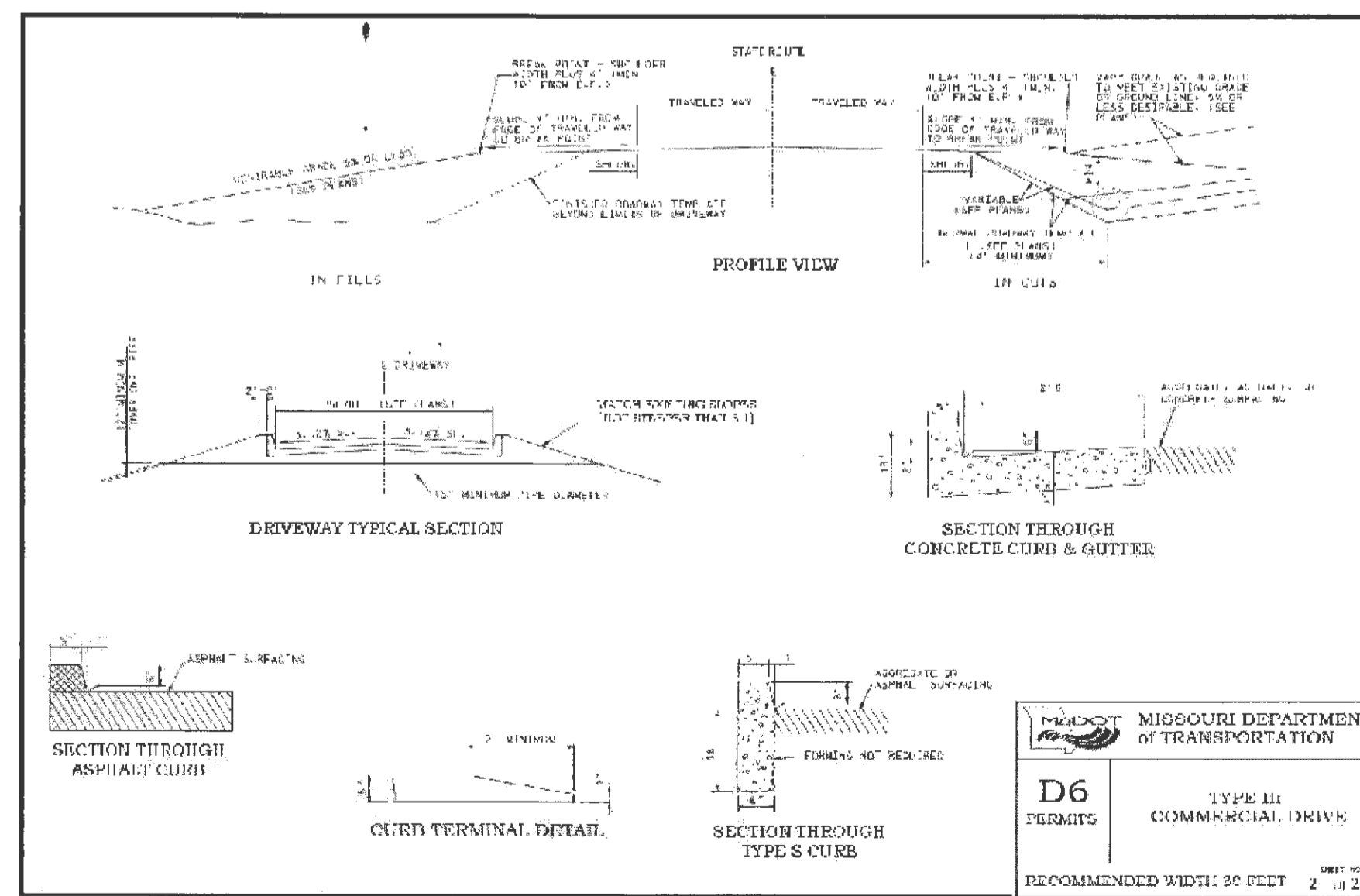
MISSOURI HIGHWAYS AND TRANSPORTATION COMMISSION
PAVED APPROACHES ADJOINING CURBS AND GUTTER SECTIONS
 SHEET NO. 608.00H
 DATE PUBLISHED: 02/20/08
 DATE REVISED: 02/20/08
 SHEET NO. 1 OF 2



MISSOURI HIGHWAYS AND TRANSPORTATION COMMISSION
CONCRETE CURBS, CURB AND GUTTER AND GUTTER
 SHEET NO. 609.00P
 DATE PUBLISHED: 02/20/08
 DATE REVISED: 02/20/08
 SHEET NO. 2 OF 2



MISSOURI DEPARTMENT OF TRANSPORTATION
D6 PERMITS TYPE III COMMERCIAL DRIVE
 RECOMMENDED WIDTH: 30 FEET
 SHEET NO. 2 OF 2



MISSOURI DEPARTMENT OF TRANSPORTATION
D6 PERMITS TYPE III COMMERCIAL DRIVE
 RECOMMENDED WIDTH: 30 FEET
 SHEET NO. 2 OF 2

Call Before you DIG
 Dial 811 or TOLL FREE
 1-800-344-7483
 mo1call.com
 MISSOURI ONE-CALL SYSTEM INC.

Underground facilities, structures & utilities have been plotted from available surveys, records & information, and therefore, do not necessarily reflect the actual existence, nonexistence, size, type, number of, or location of these facilities, structures, & utilities.

The Contractor shall be responsible for verifying the actual location of all underground facilities, structures, & utilities, either shown or not shown on these plans. The underground facilities, structures, & utilities shall be located in the field prior to any grading, excavation or construction of improvements. These provisions shall in no way absolve any party from complying with the Underground Facility Safety and Damage Prevention Act, Chapter 319, RSMo.

The signed and sealed original of this drawing is on file at the offices of The Clayton Engineering Company, Inc. The signed and sealed original is the official document and shall take precedence over any digital version.

PROJECT TITLE:
SITE CONSTRUCTION PLANS
DIRT CHEAP OF FALLON
#708 MO. STATE HIGHWAY K
O'FALLON, MISSOURI 63366

Copyright 2014
 Clayton Engineering Co.
 All Rights Reserved
 the clayton engineering company, inc.
 11920 Westline Industrial Drive
 St. Louis, MO 63146
 (314) 692-8988
 Fax: (314) 692-8888
 Job#: 1012
 MO Cert. of Authority - Professional Engineering #000007 & Professional Surveying #000014

Erik J. Staley - Professional Engineer
 (PE-200600132)

 ERIC J. STALEY
 PROFESSIONAL ENGINEER
 NUMBER PE-200600132
 9-4-14

Plan Date: November 8, 2013
Revision Date: April 28, 2014
Revision Date: May 22, 2014
Revision Date: August 1, 2014
Revision Date: Sept. 4, 2014

Developer / Owner Information:
U-GAS PROPERTIES OF FALLON LLC
895 Bolger Court
Fenton, Missouri 63026
(636) 343-9770 FAX: (636) 343-9768
PAVEMENT DETAILS (MODOT)

P+Z No.: (23-13.02)
Approval Date: 10/03/13
City No.

Page No.
17 of 23