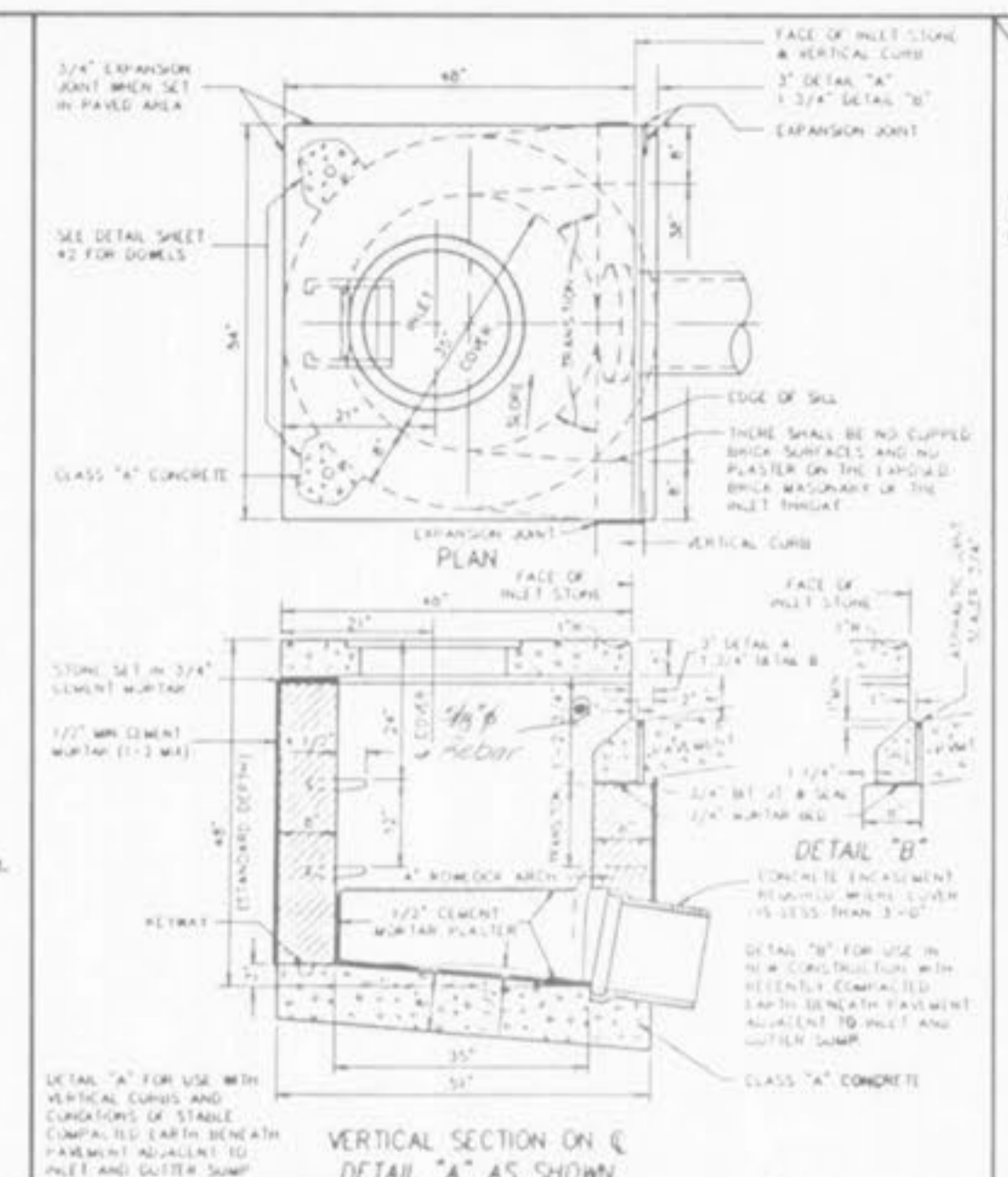
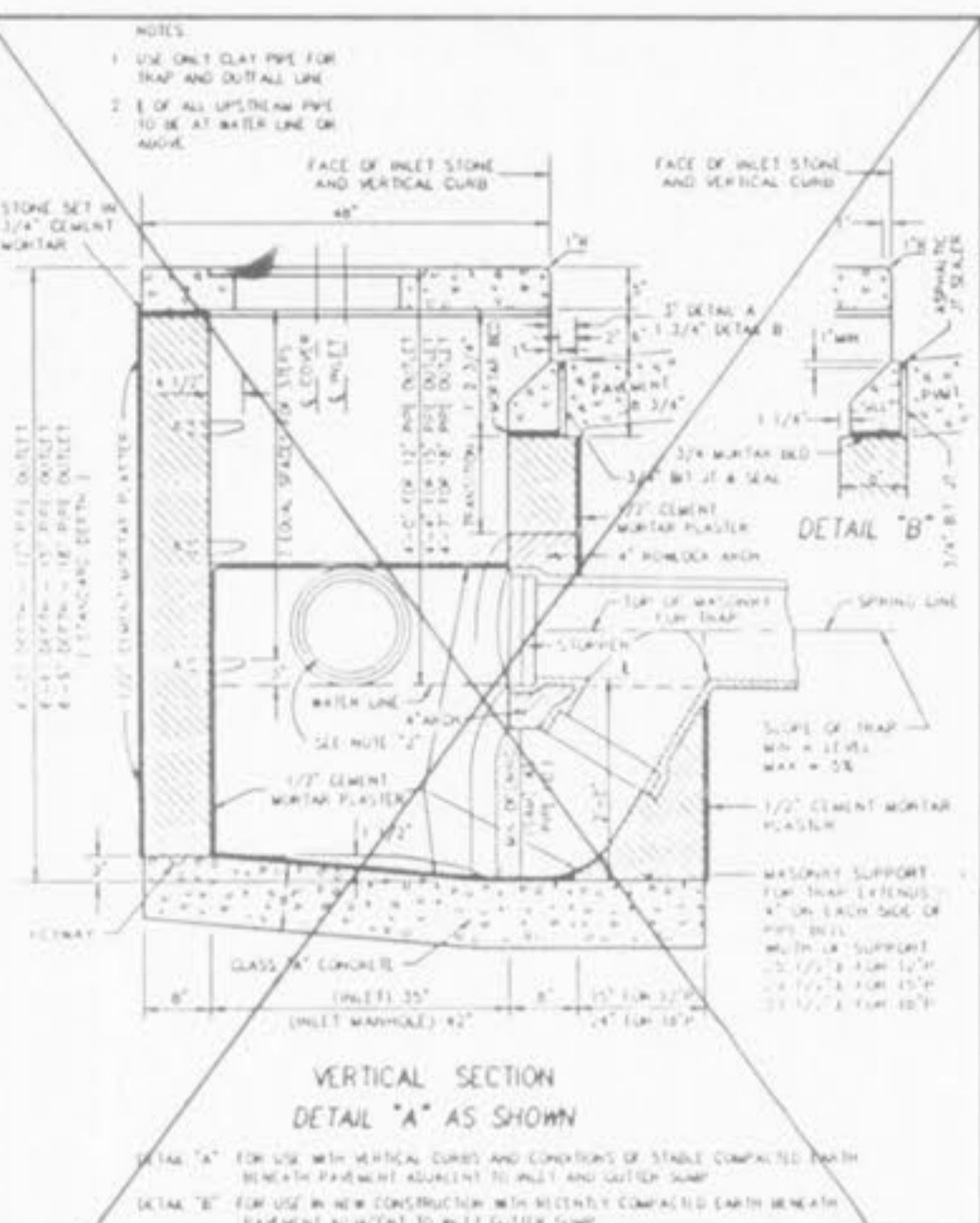


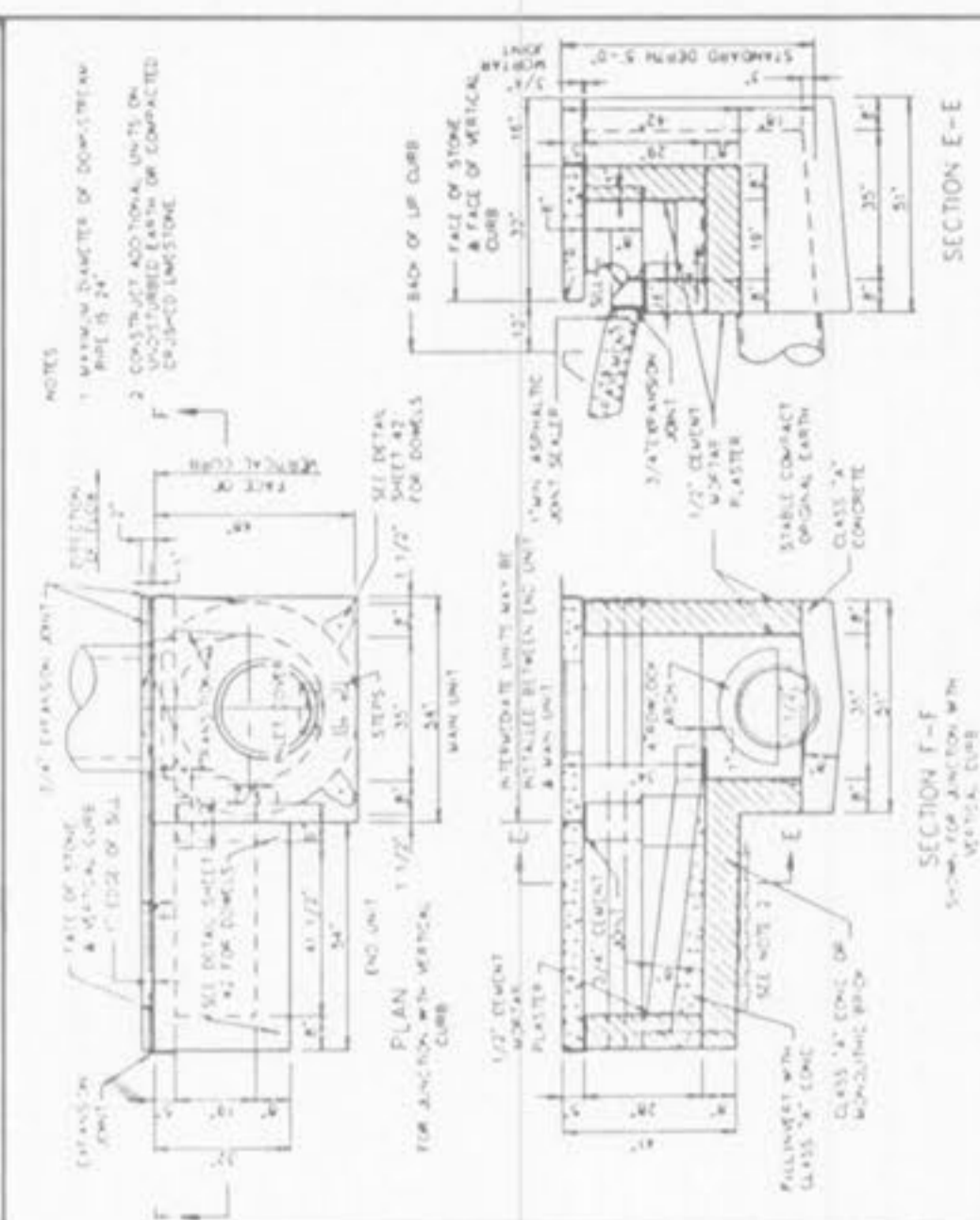
TYPICAL PRE-CAST MH TEE FOR REINFORCED CONCRETE PIPE SEWERS 48\"/>



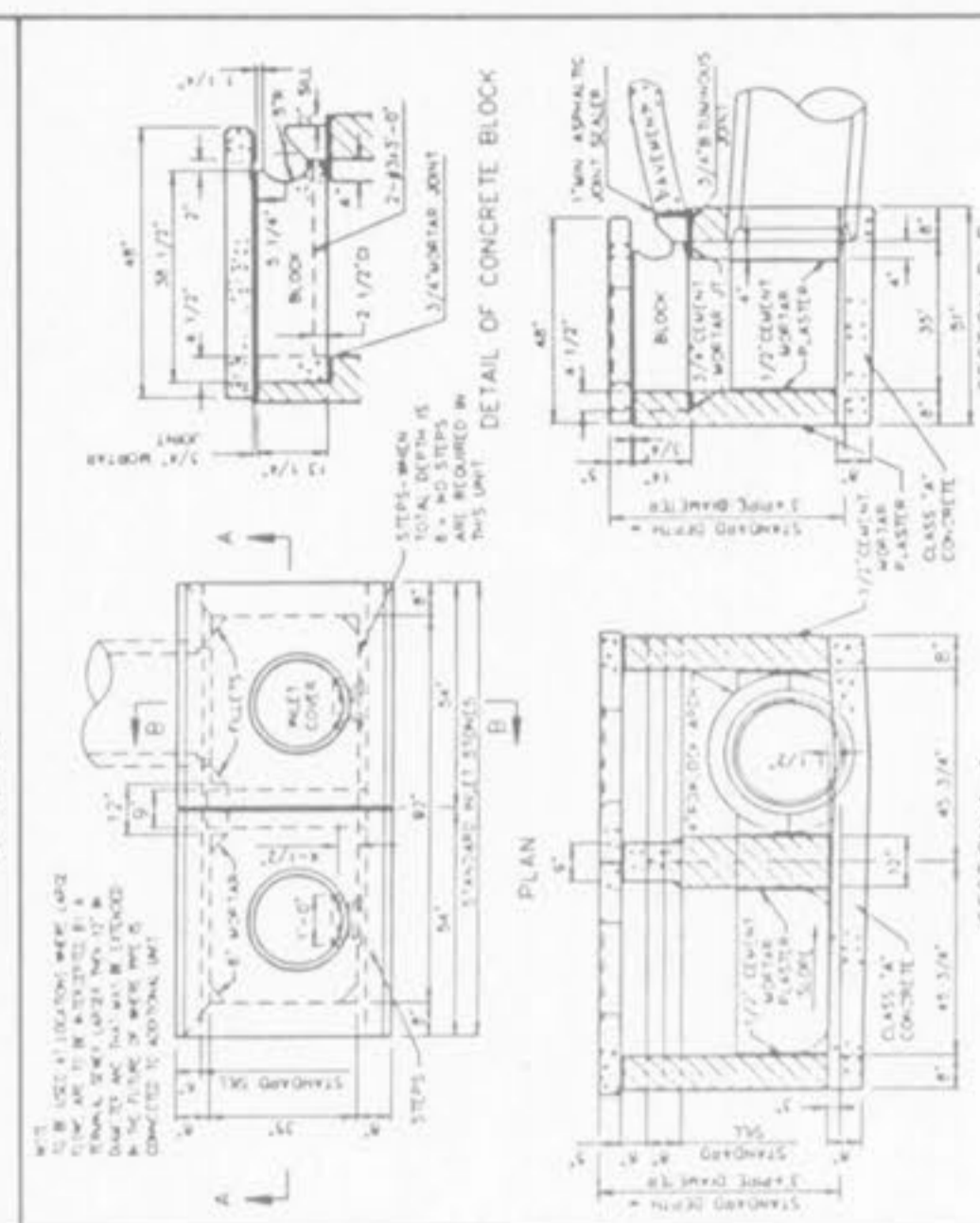
UNTRAPPED STREET INLET BRICK CONSTRUCTION METROPOLITAN ST. LOUIS SEWER DISTRICT Standard Details of Sewer Construction



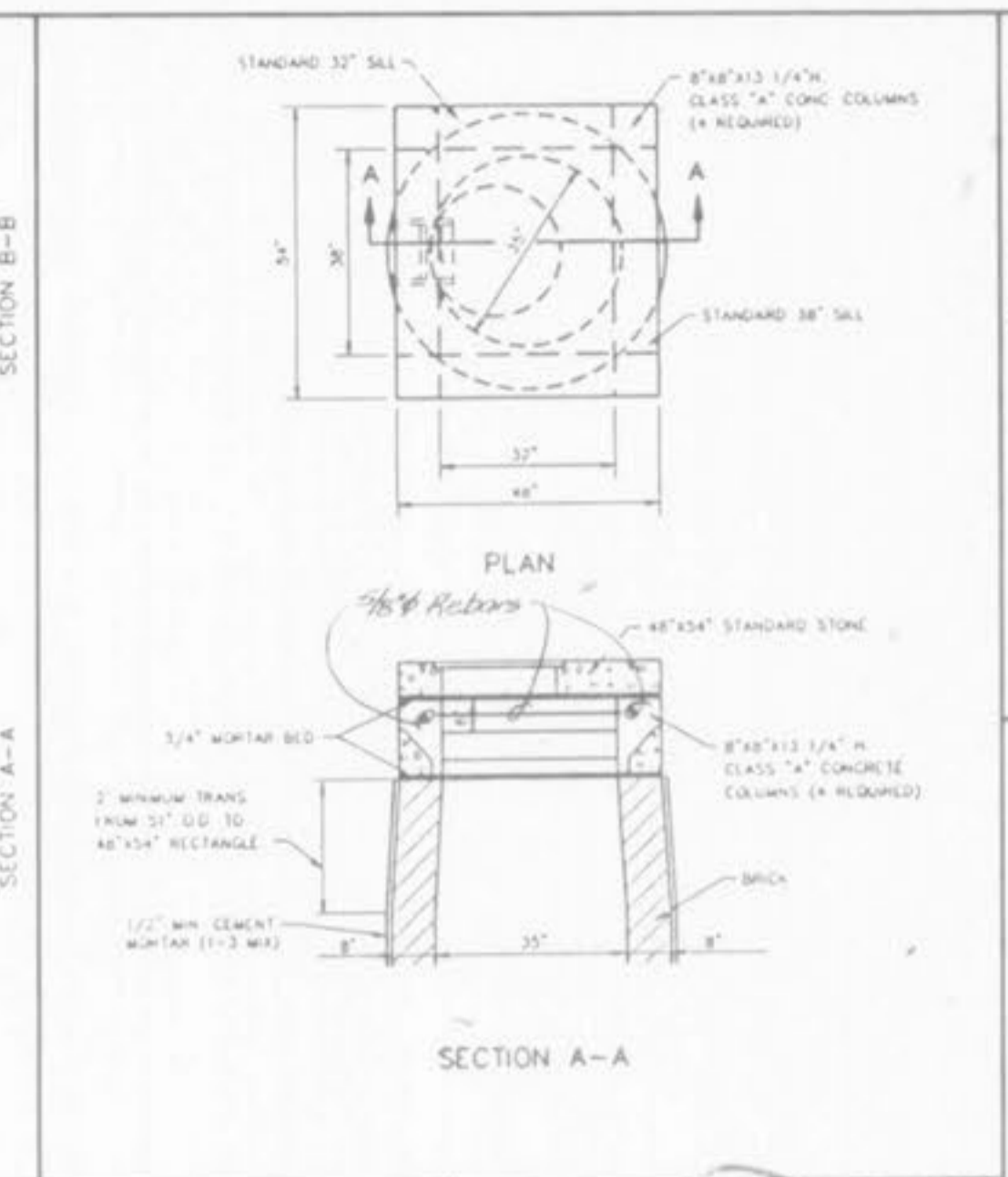
TRAPPED STREET INLET BRICK CONSTRUCTION METROPOLITAN ST. LOUIS SEWER DISTRICT Standard Details of Sewer Construction



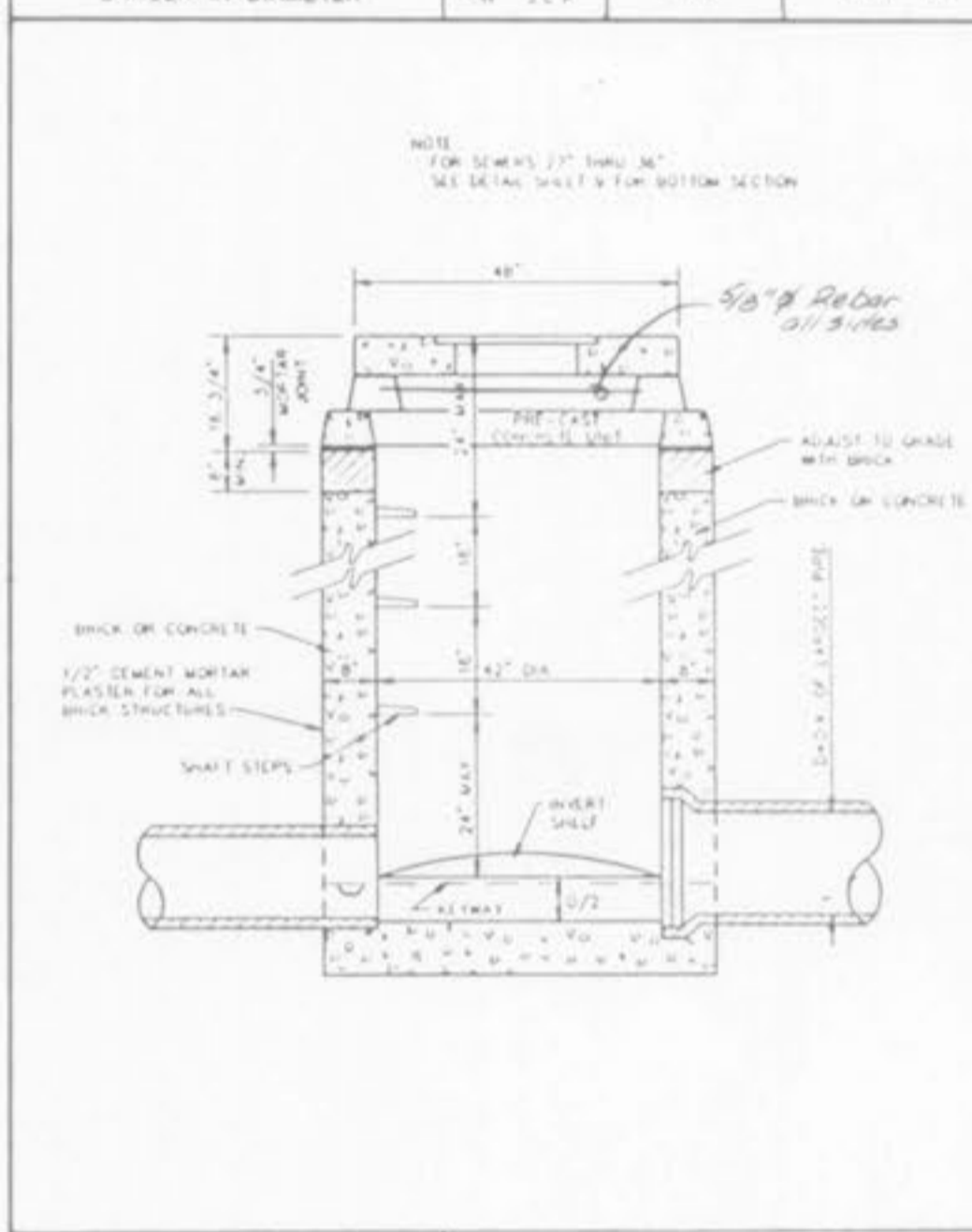
MULTIPLE STREET INLET BRICK CONSTRUCTION METROPOLITAN ST. LOUIS SEWER DISTRICT Standard Details of Sewer Construction



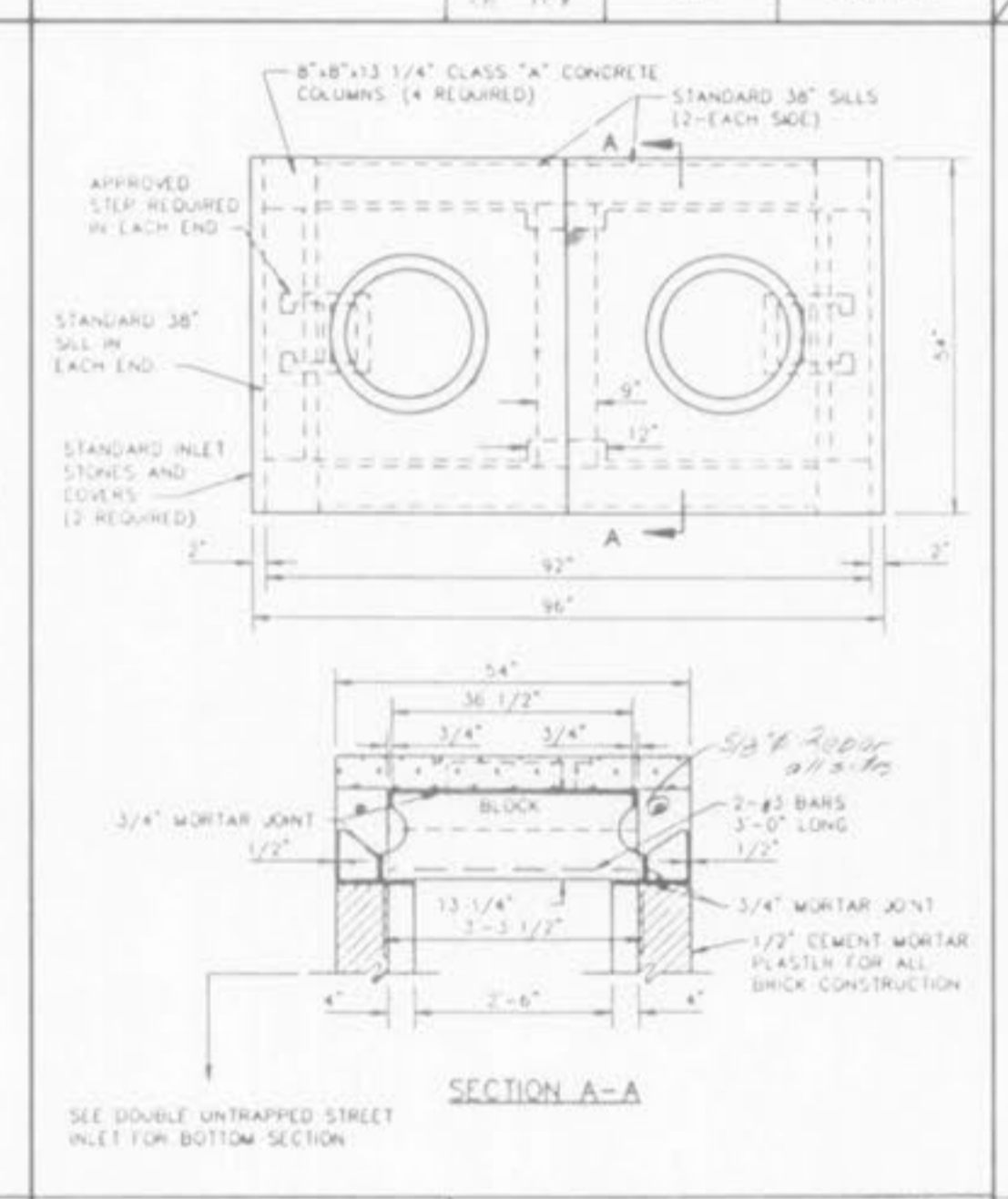
DOUBLE UNTRAPPED STREET INLET BRICK CONSTRUCTION METROPOLITAN ST. LOUIS SEWER DISTRICT Standard Details of Sewer Construction



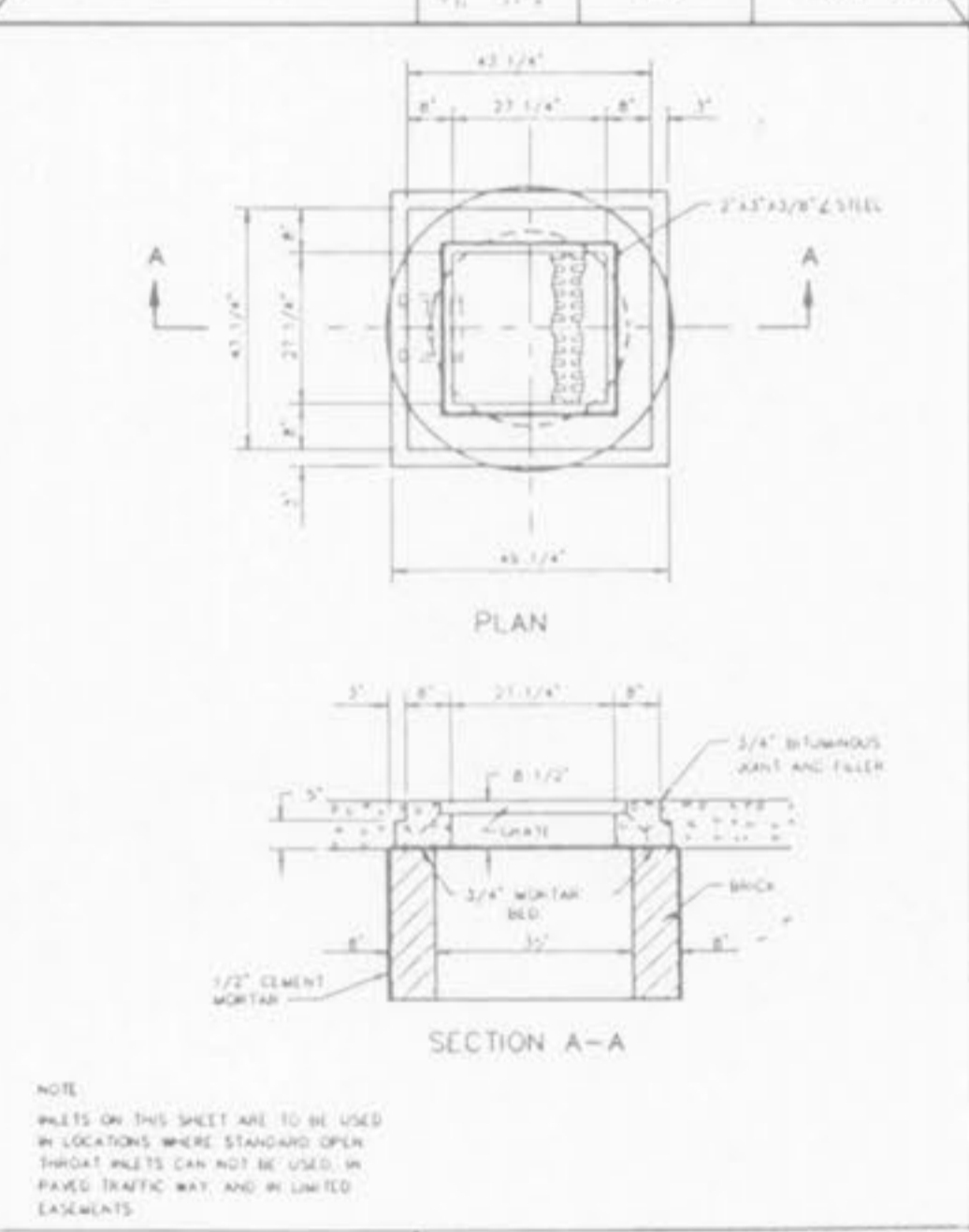
AREA INLET OPEN 4 SIDES BRICK CONSTRUCTION METROPOLITAN ST. LOUIS SEWER DISTRICT Standard Details of Sewer Construction



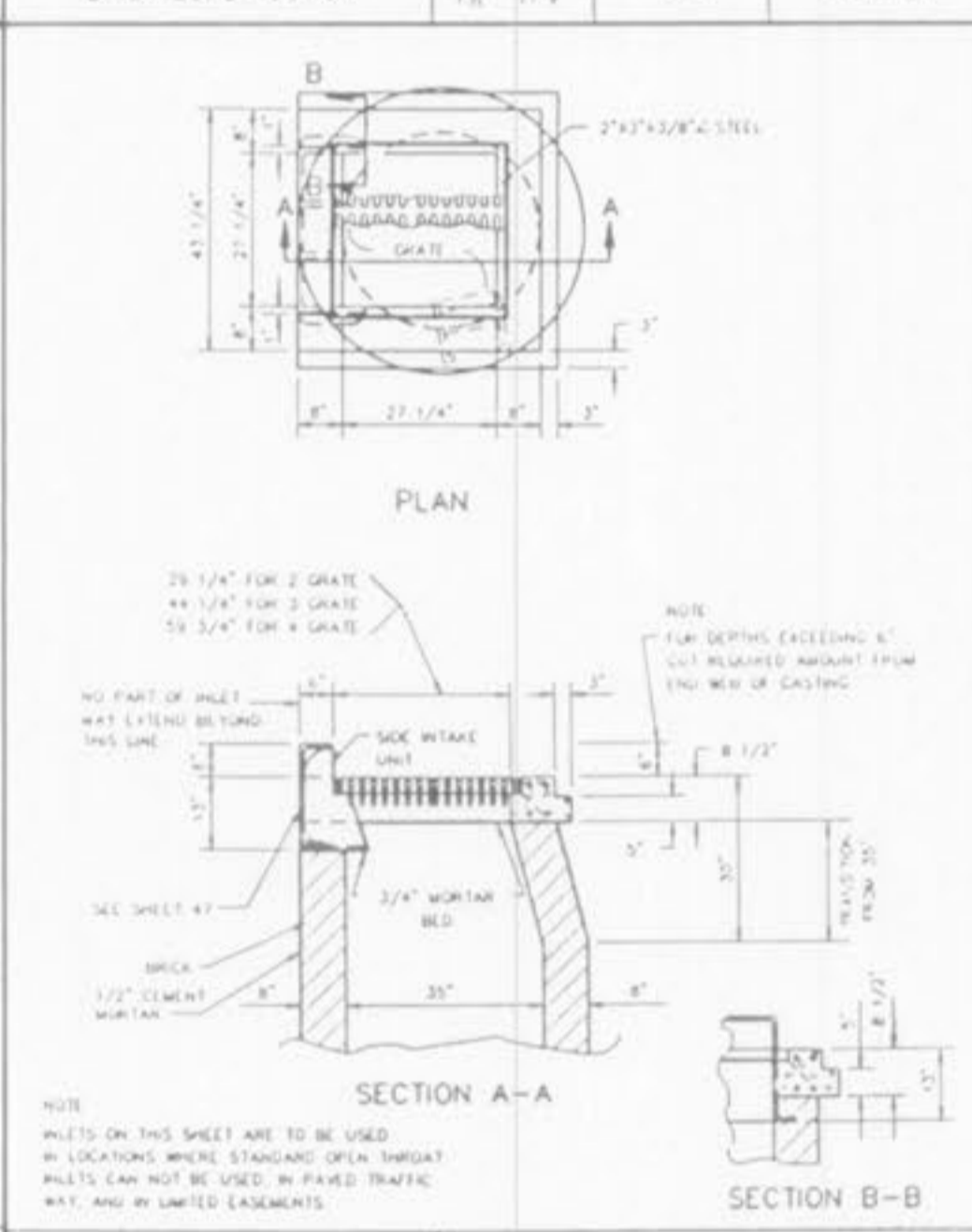
AREA INLET MANHOLE (12\"/>



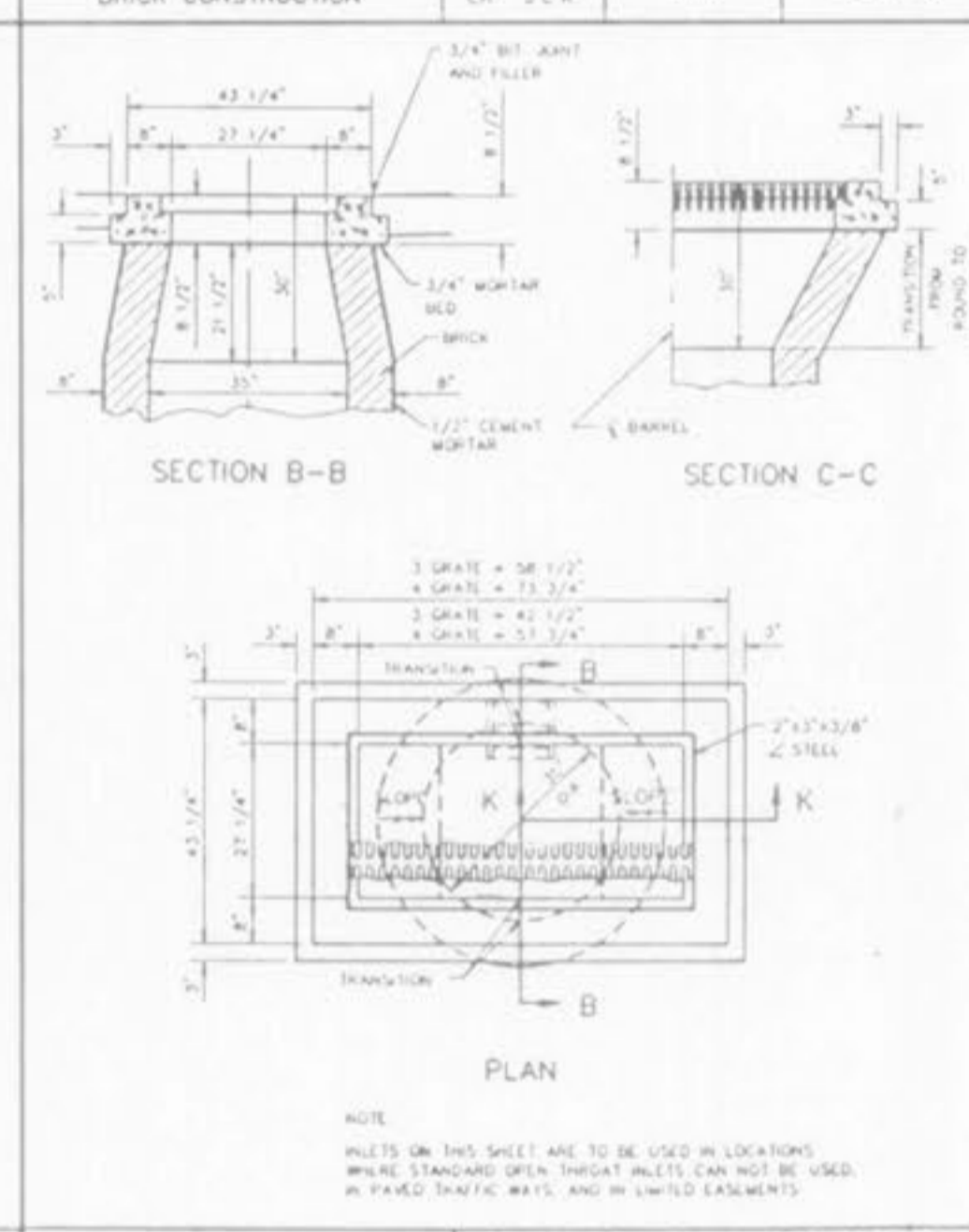
DOUBLE AREA INLET OPEN 4 SIDES BRICK CONSTRUCTION METROPOLITAN ST. LOUIS SEWER DISTRICT Standard Details of Sewer Construction



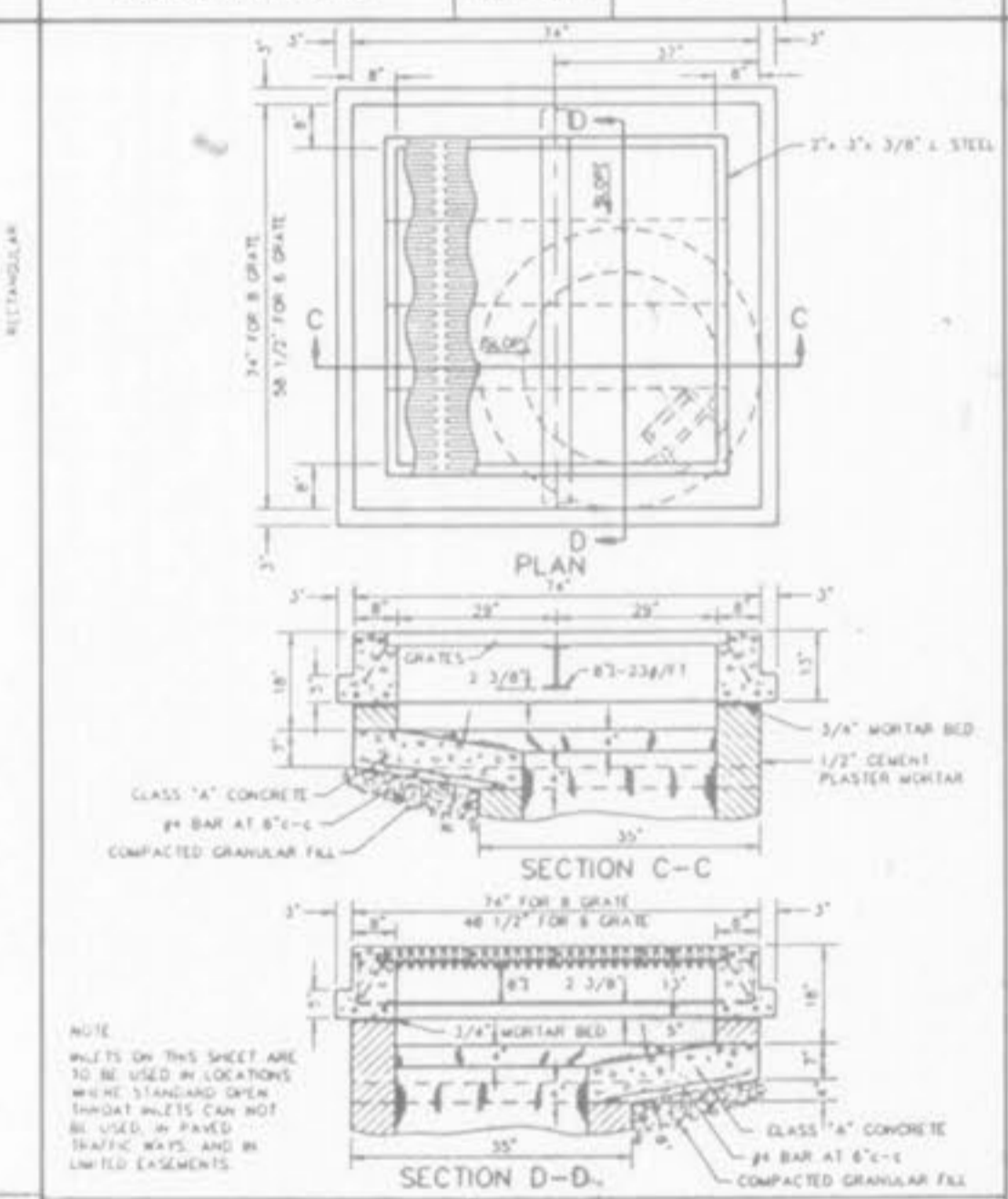
2 GRATE INLET BRICK CONSTRUCTION METROPOLITAN ST. LOUIS SEWER DISTRICT Standard Details of Sewer Construction



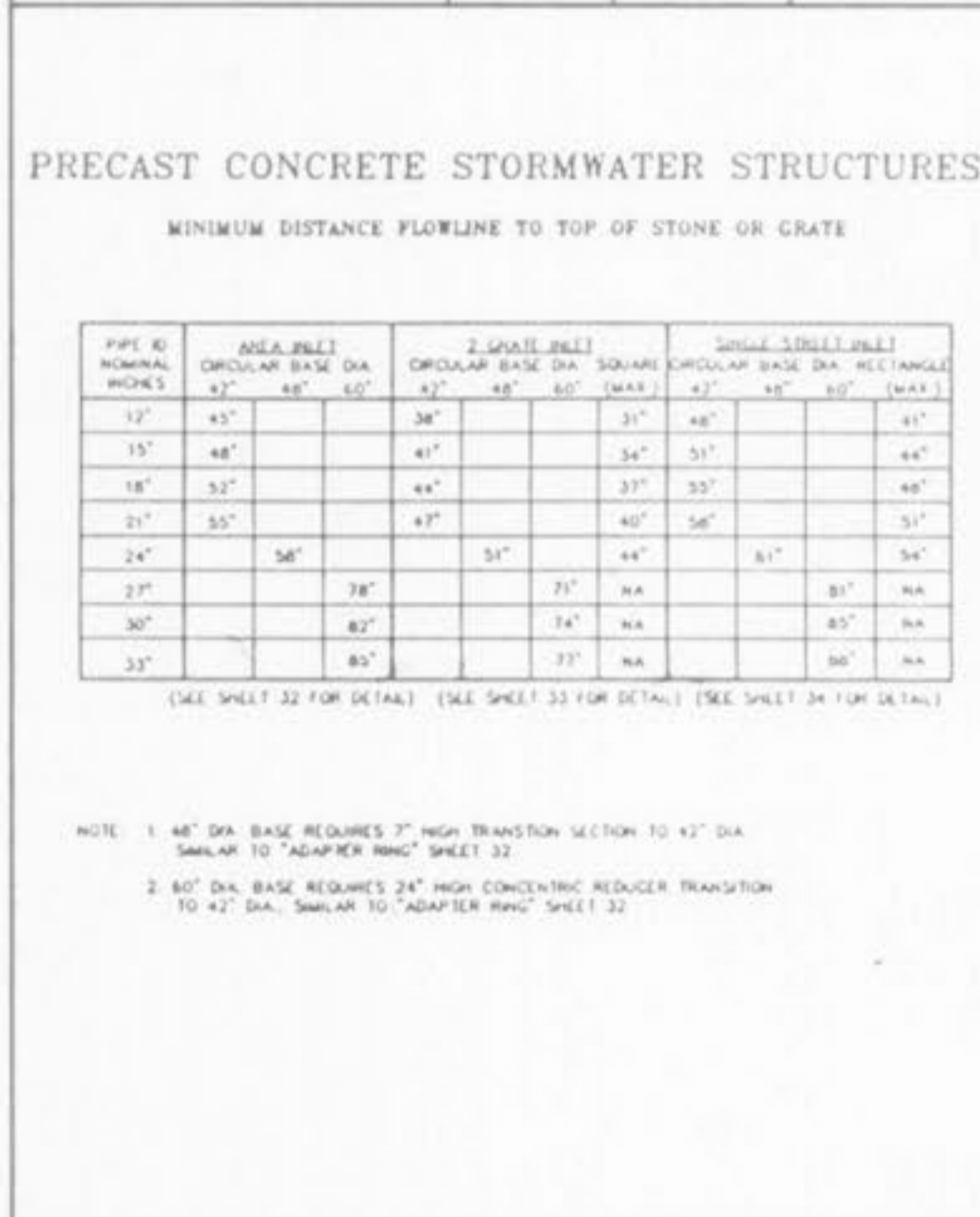
2 GRATE INLET WITH SIDE INTAKE BRICK CONSTRUCTION METROPOLITAN ST. LOUIS SEWER DISTRICT Standard Details of Sewer Construction



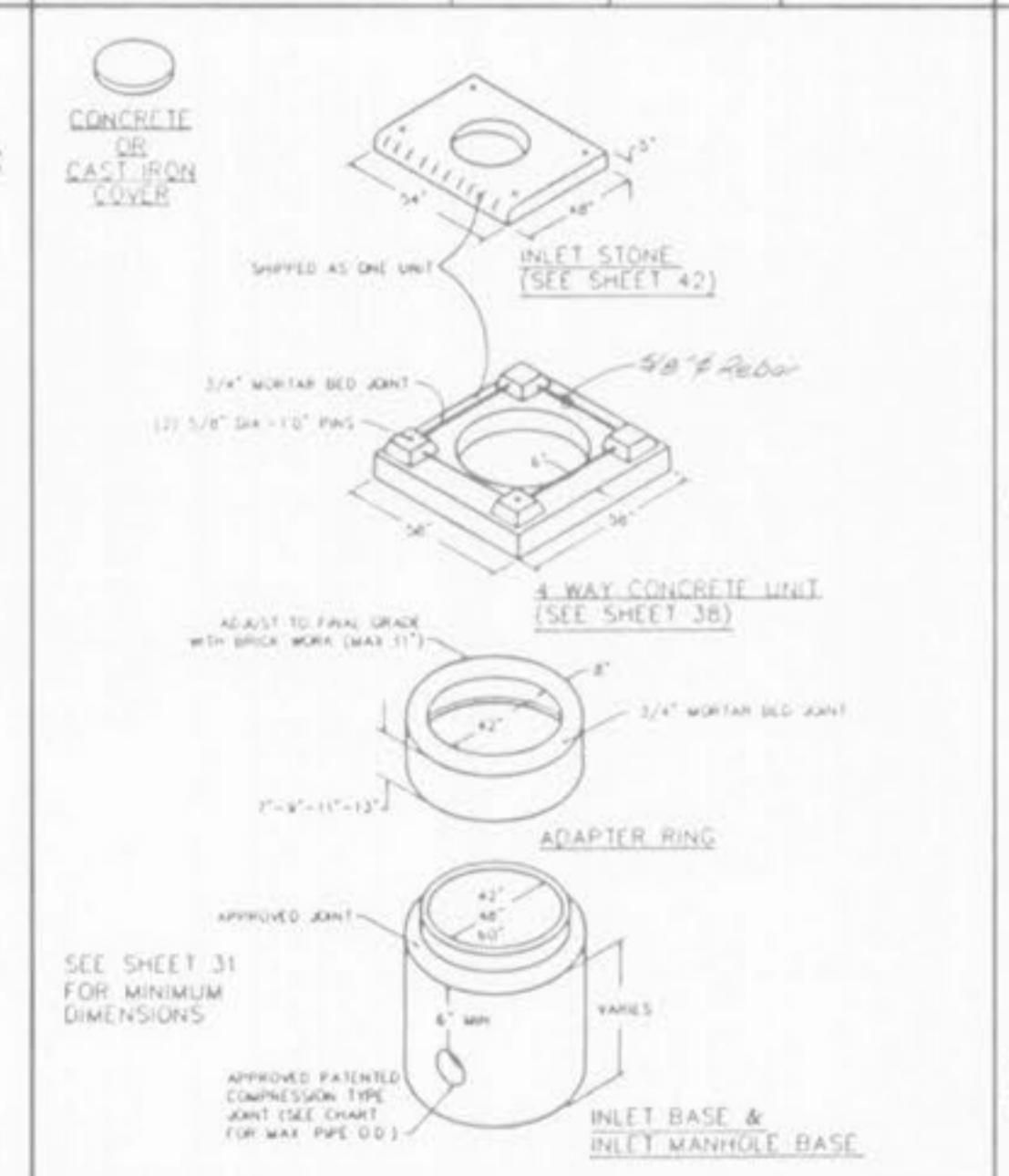
3 & 4 GRATE INLET BRICK CONSTRUCTION METROPOLITAN ST. LOUIS SEWER DISTRICT Standard Details of Sewer Construction



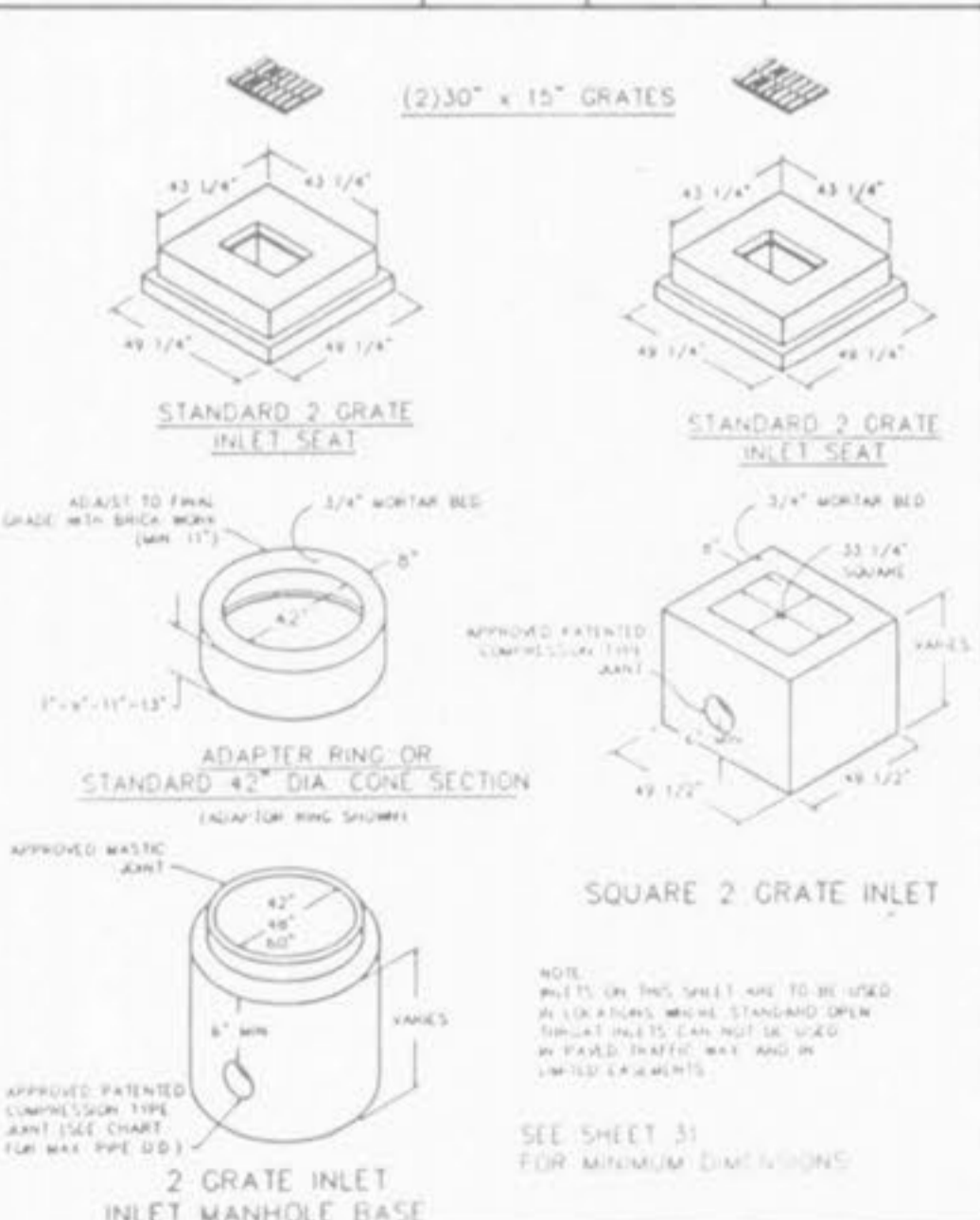
6 & 8 GRATE INLET BRICK CONSTRUCTION METROPOLITAN ST. LOUIS SEWER DISTRICT Standard Details of Sewer Construction



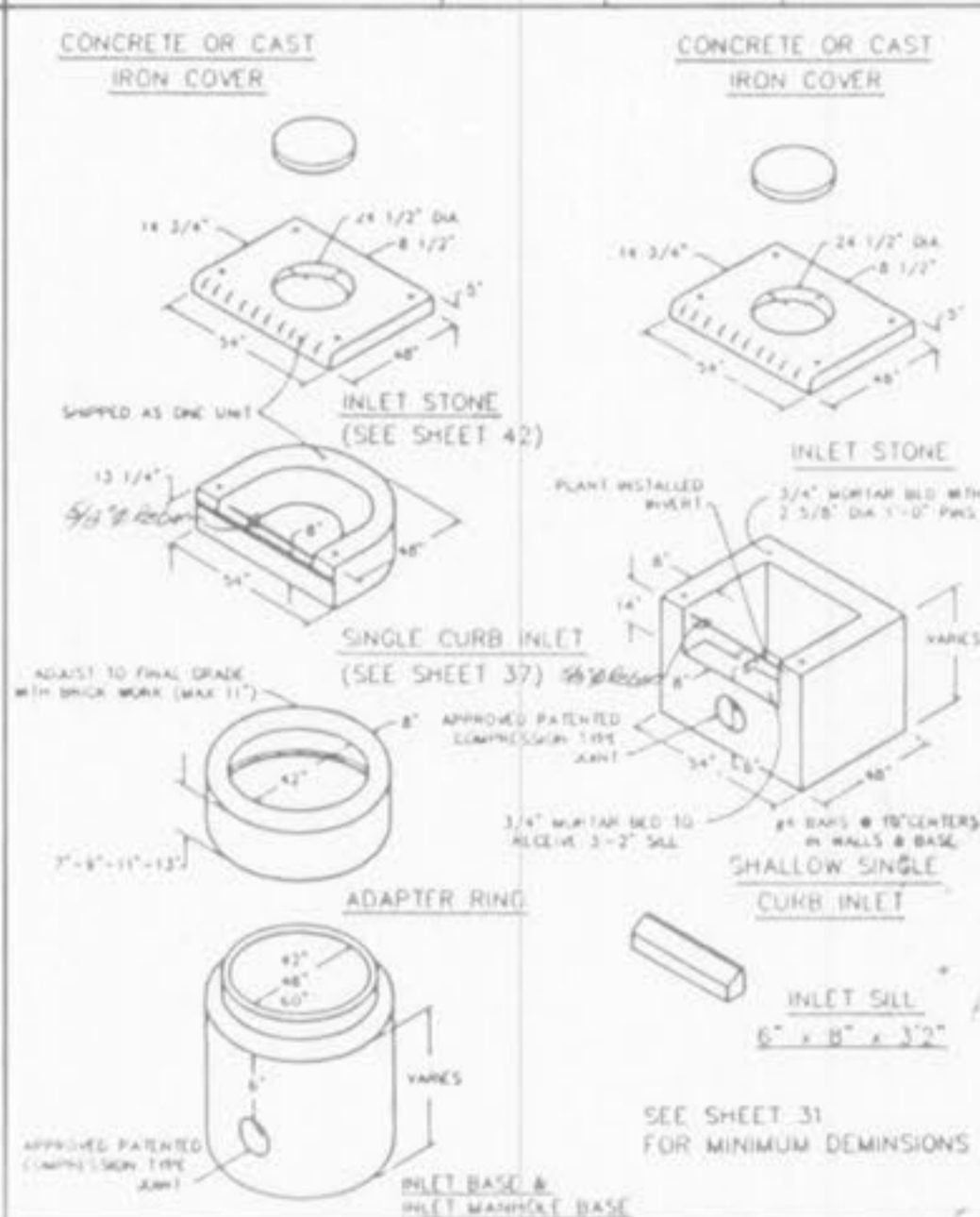
PRECAST CONCRETE STORMWATER STRUCTURES METROPOLITAN ST. LOUIS SEWER DISTRICT Standard Details of Sewer Construction



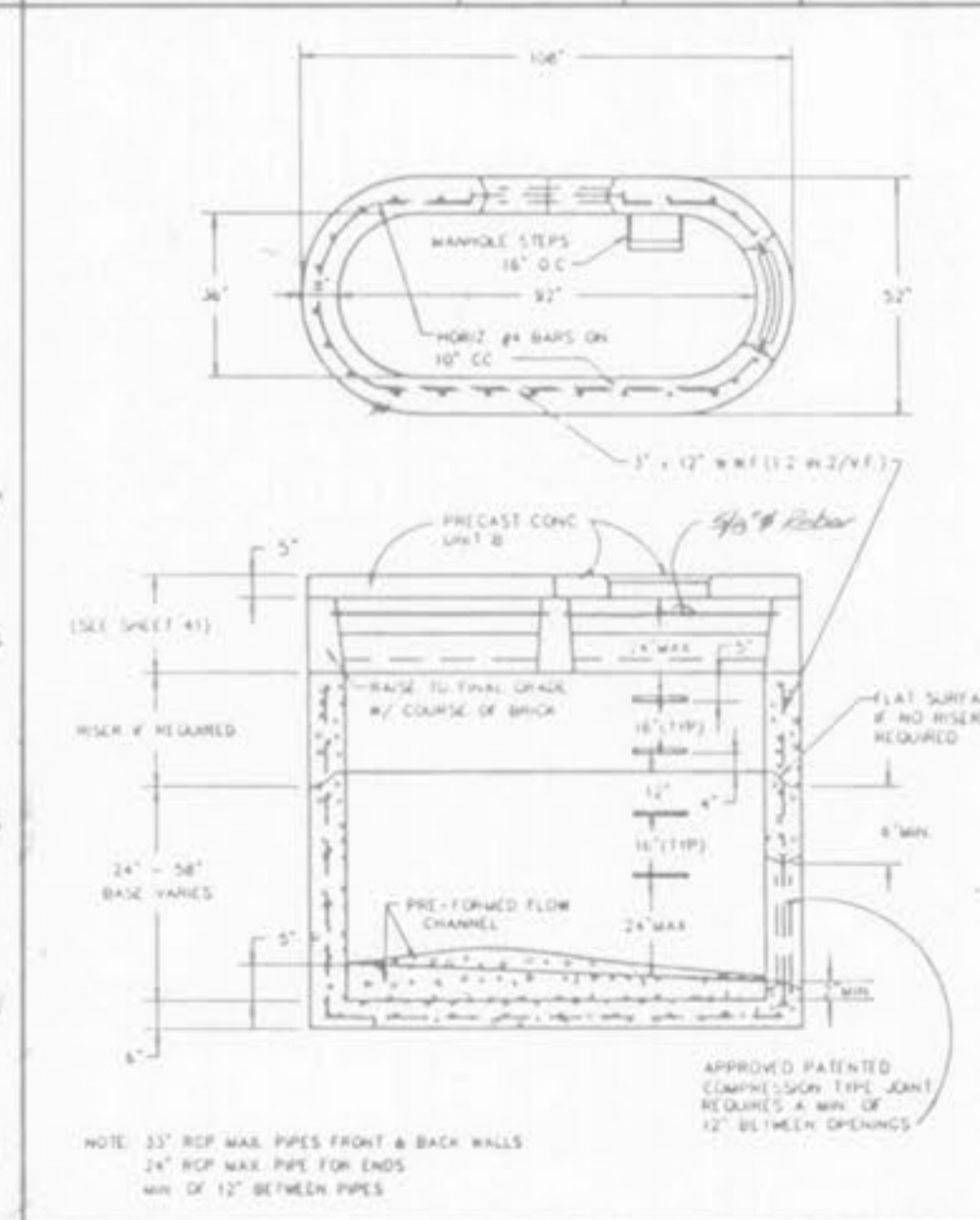
AREA INLET PRECAST CONCRETE METROPOLITAN ST. LOUIS SEWER DISTRICT Standard Details of Sewer Construction



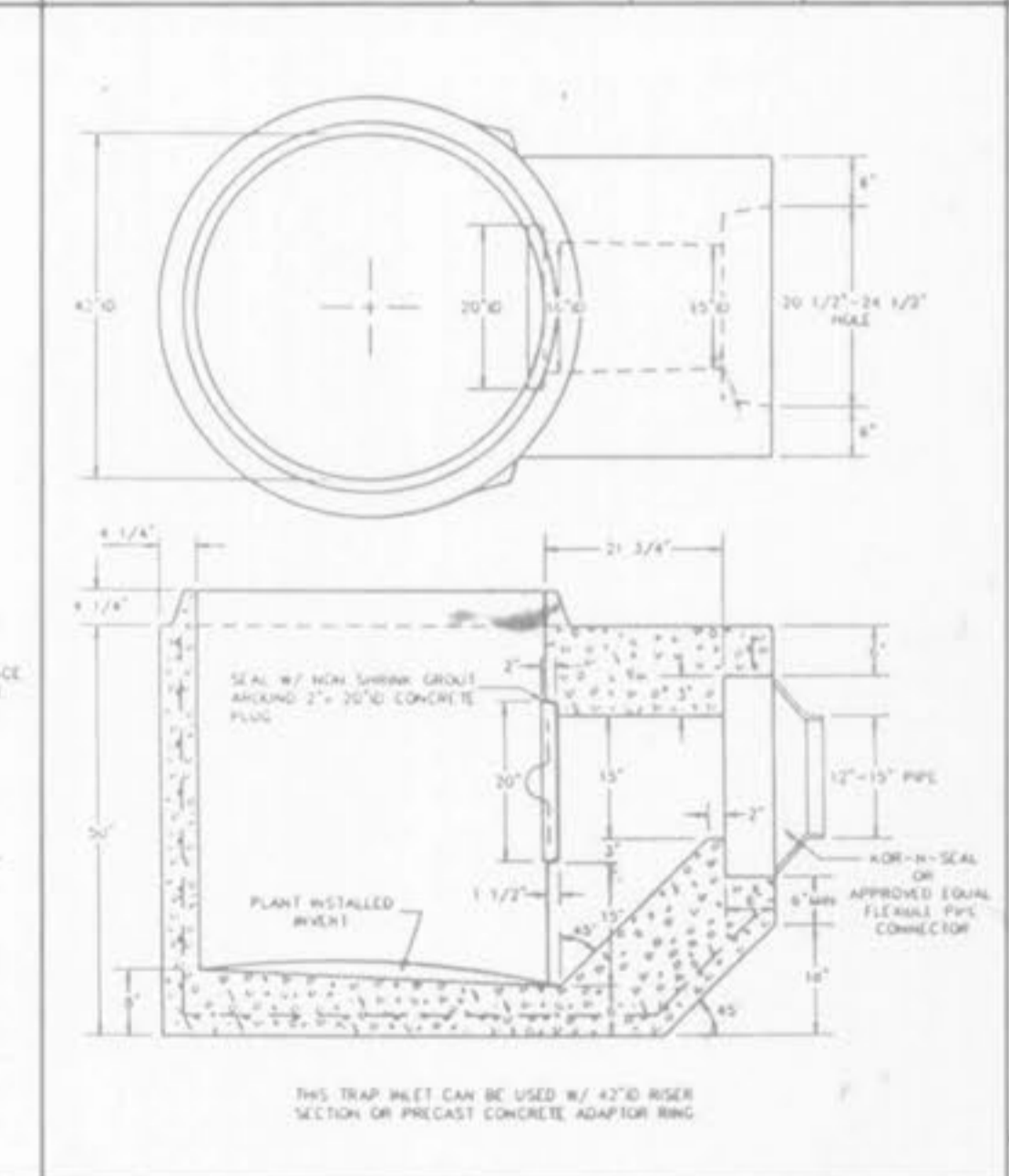
2 GRATE INLETS PRECAST CONCRETE METROPOLITAN ST. LOUIS SEWER DISTRICT Standard Details of Sewer Construction



SINGLE STREET INLETS PRECAST CONCRETE METROPOLITAN ST. LOUIS SEWER DISTRICT Standard Details of Sewer Construction



DOUBLE UNTRAPPED STREET INLET PRECAST CONCRETE METROPOLITAN ST. LOUIS SEWER DISTRICT Standard Details of Sewer Construction



TRAPPED STREET INLET BASE PRECAST CONCRETE METROPOLITAN ST. LOUIS SEWER DISTRICT Standard Details of Sewer Construction