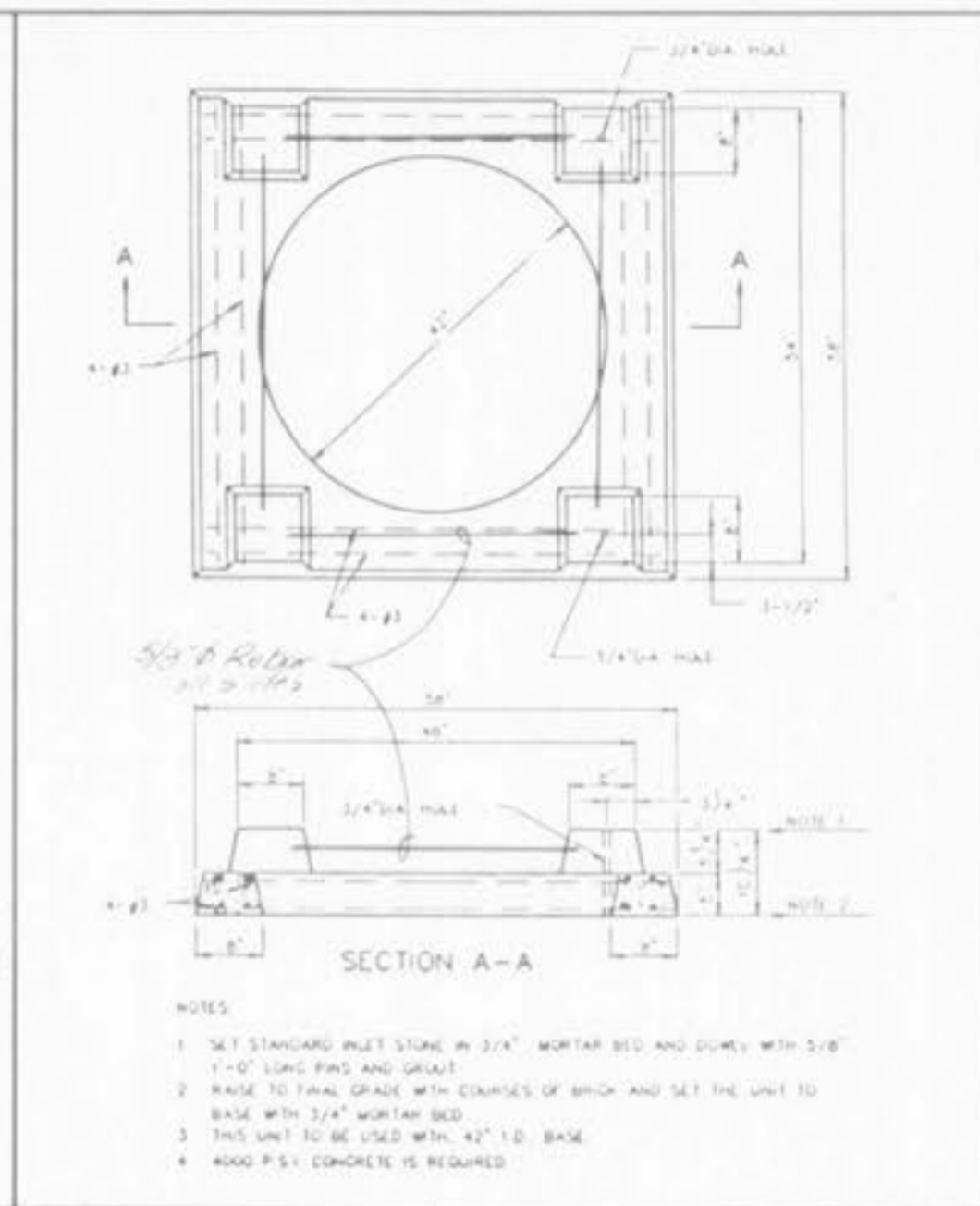
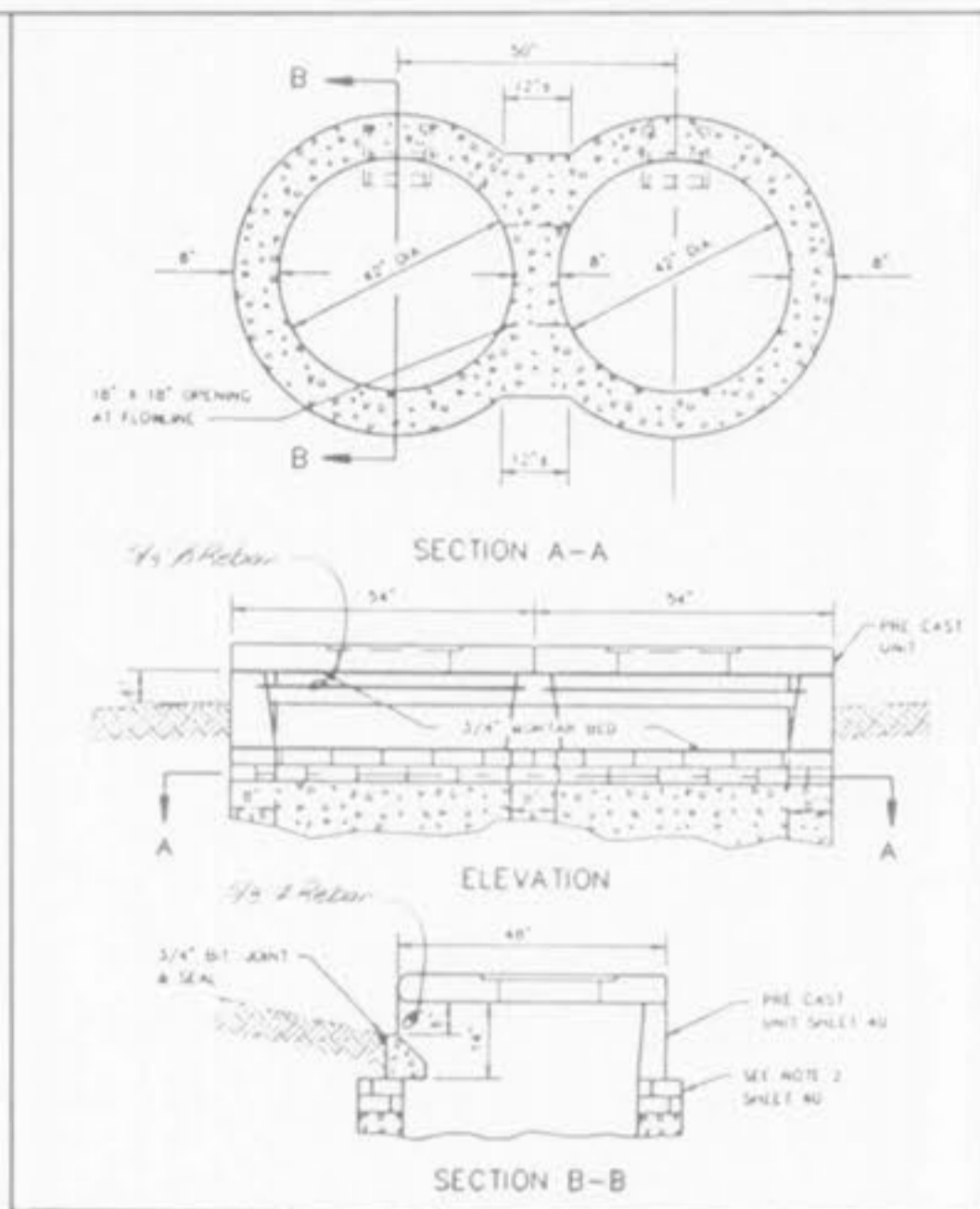


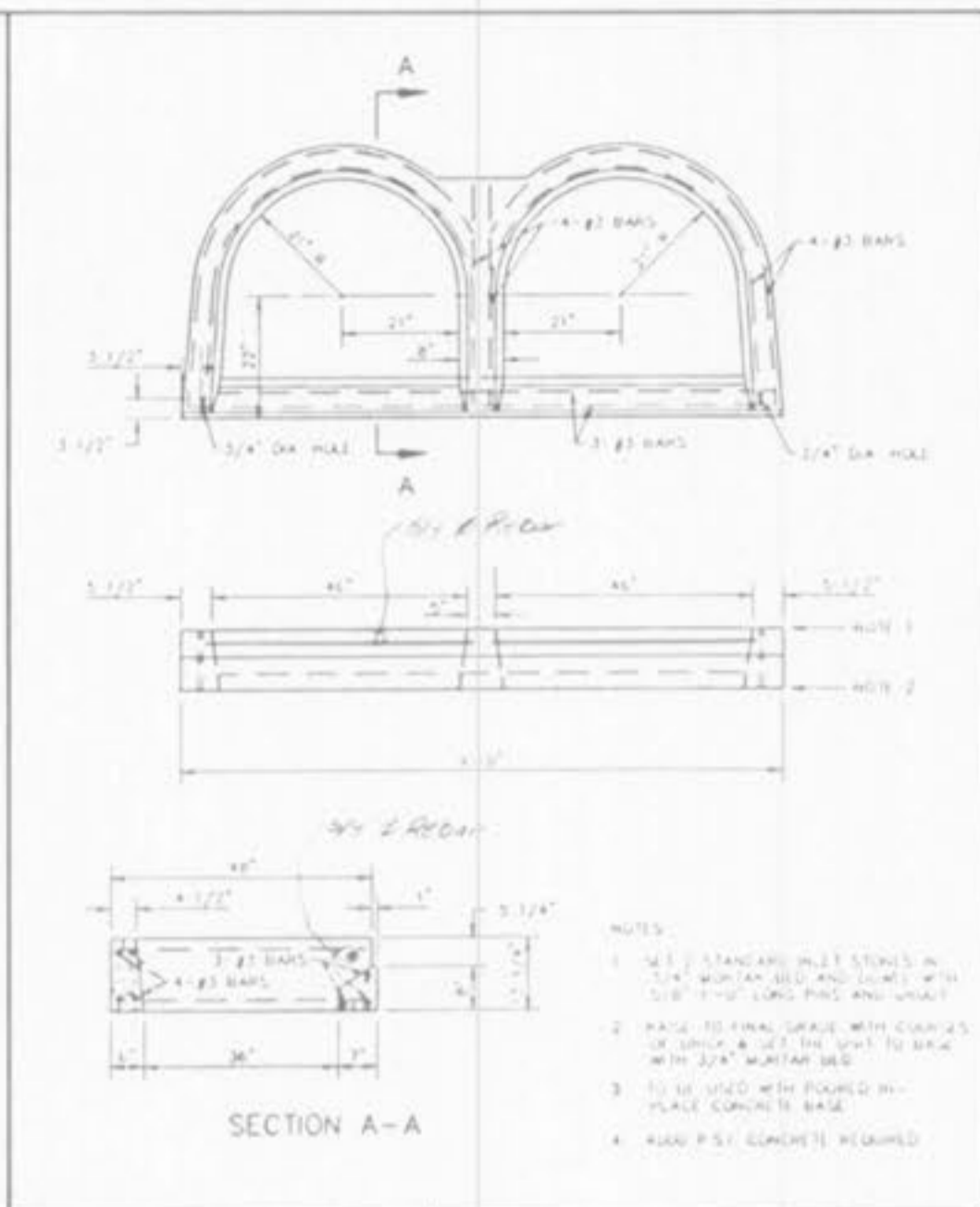
PRE-CAST CONCRETE UNIT FOR SINGLE STREET INLET  
 METROPOLITAN ST. LOUIS SEWER DISTRICT Standard Details of Sewer Construction  
 D: W.S.H. / C.H. J.C.K. / 1992 / SHEET 37



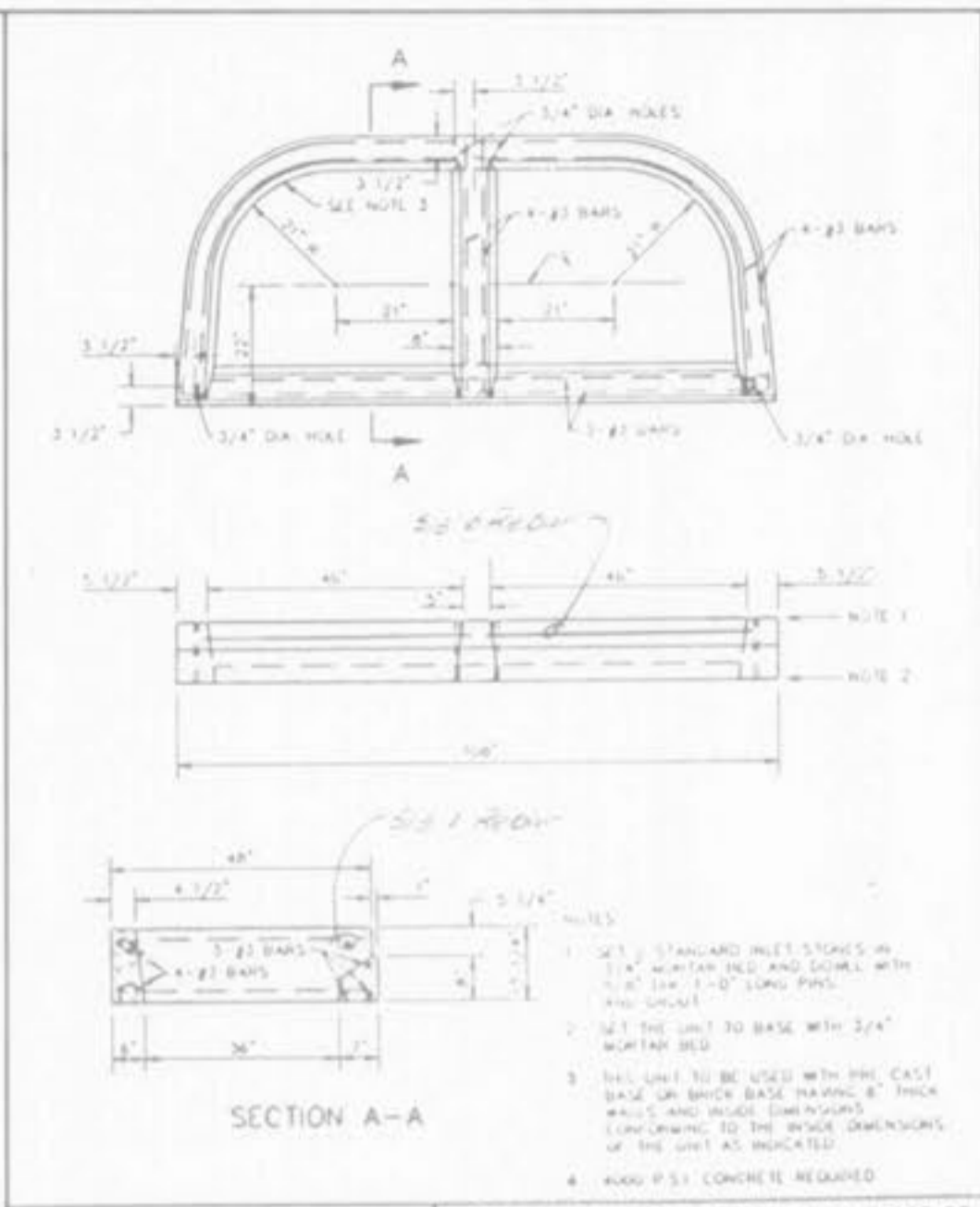
PRE-CAST CONCRETE UNIT FOR 4 WAY AREA INLET  
 METROPOLITAN ST. LOUIS SEWER DISTRICT Standard Details of Sewer Construction  
 D: D.A.B. / C.H. J.C.K. / 1992 / SHEET 38



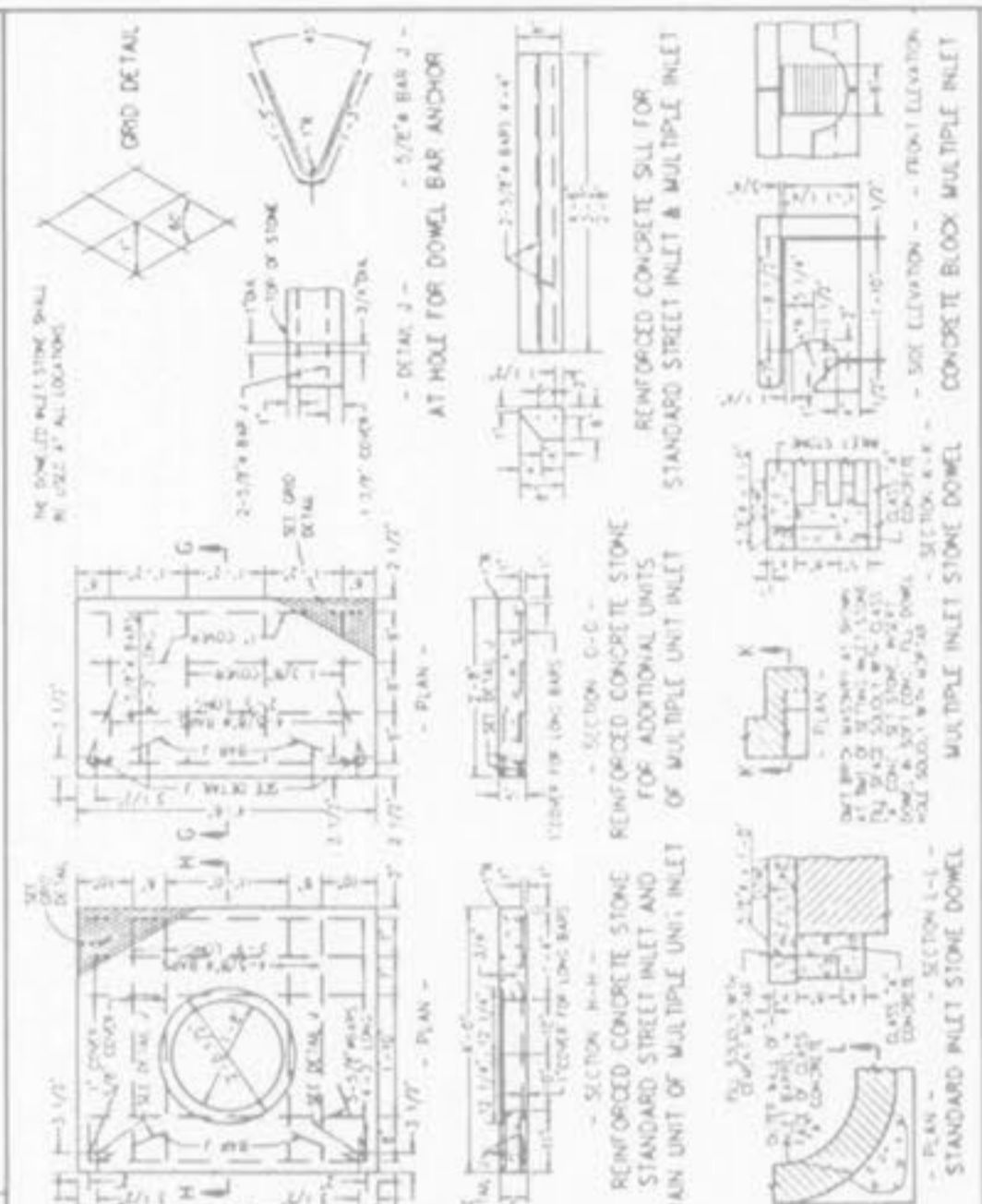
CONCRETE DOUBLE STREET INLET W/PRE CAST CONCRETE UNIT A  
 METROPOLITAN ST. LOUIS SEWER DISTRICT Standard Details of Sewer Construction  
 D: W.S.H. / C.H. J.C.K. / 1992 / SHEET 39



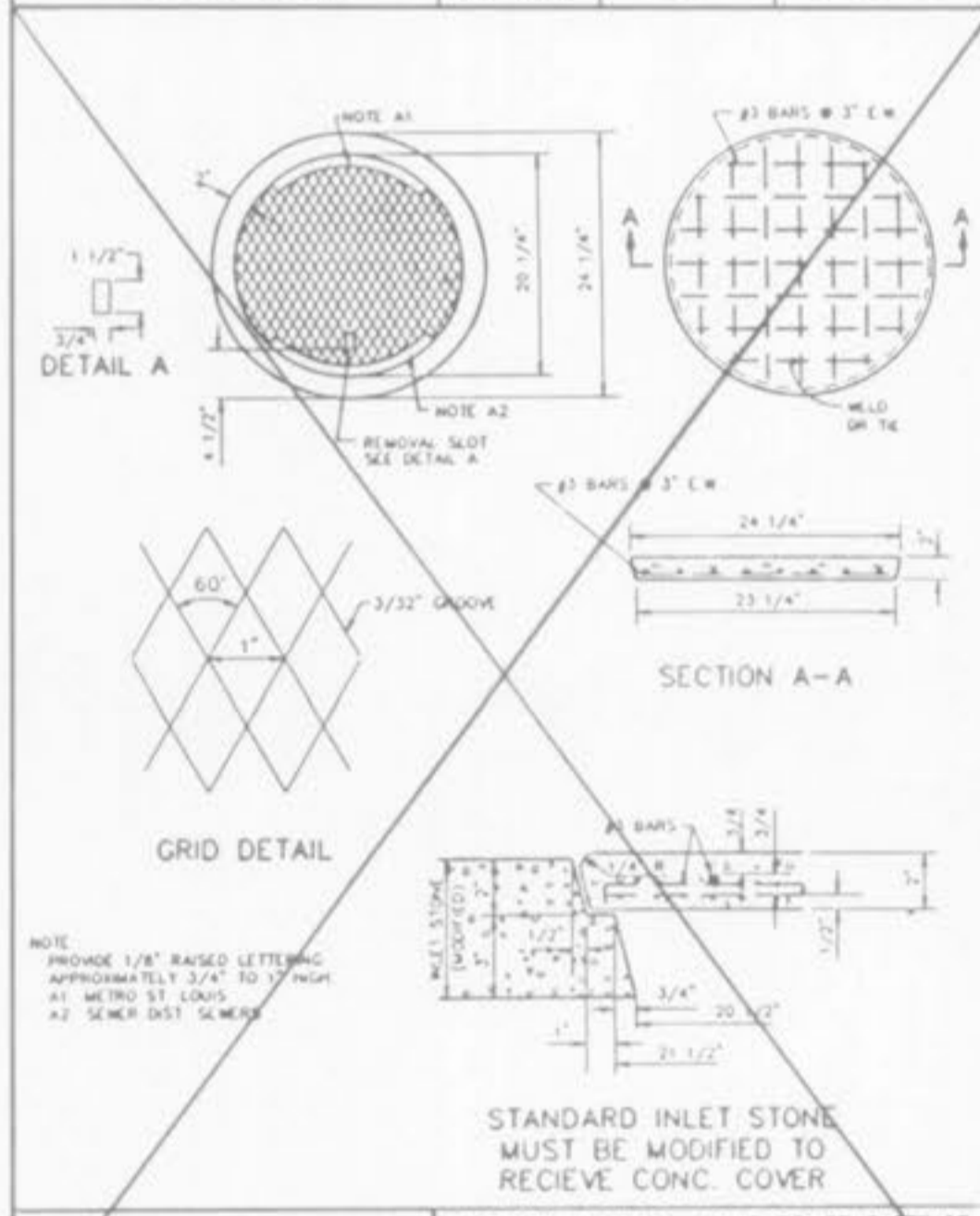
PRE-CAST CONCRETE UNIT A FOR STREET DOUBLE INLET  
 METROPOLITAN ST. LOUIS SEWER DISTRICT Standard Details of Sewer Construction  
 D: W.S.H. / C.H. J.C.K. / 1992 / SHEET 40



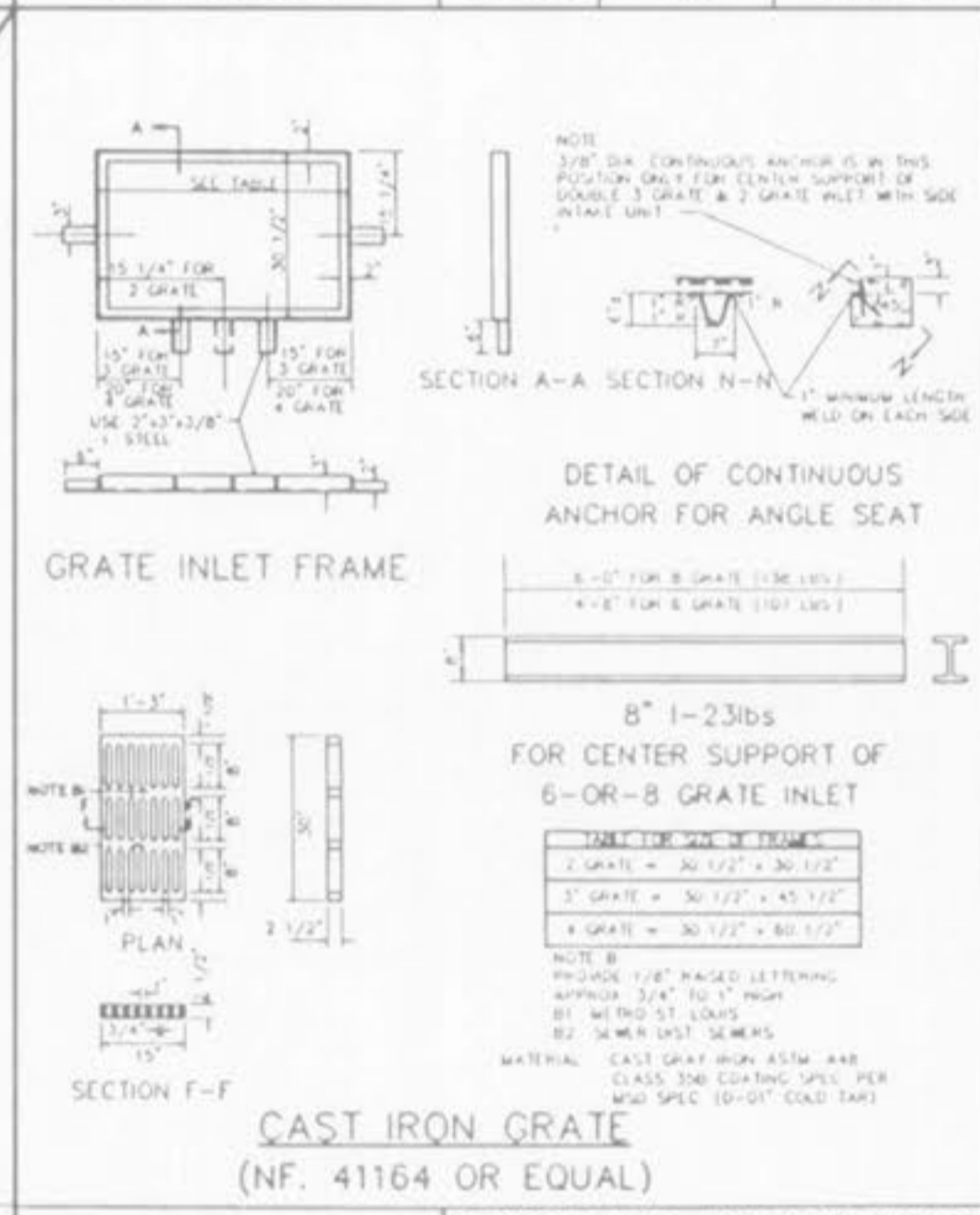
PRE-CAST CONCRETE UNIT B FOR STREET DOUBLE INLET  
 METROPOLITAN ST. LOUIS SEWER DISTRICT Standard Details of Sewer Construction  
 D: W.S.H. / C.H. J.C.K. / 1992 / SHEET 41



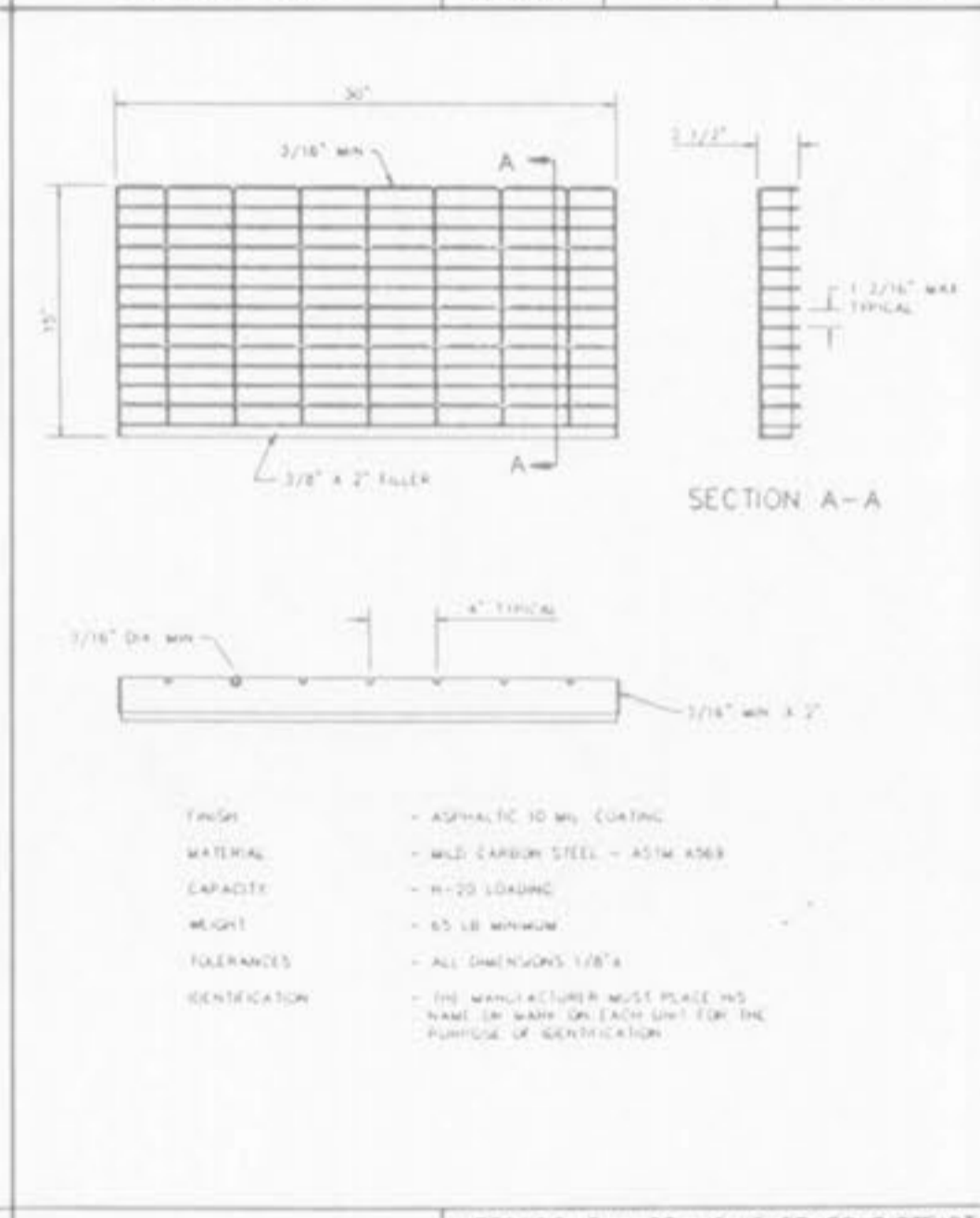
STANDARD - INLET STONES, BLOCKS & DESIGN DETAILS  
 METROPOLITAN ST. LOUIS SEWER DISTRICT Standard Details of Sewer Construction  
 D: W.S.H. / C.H. J.C.K. / 1992 / SHEET 42



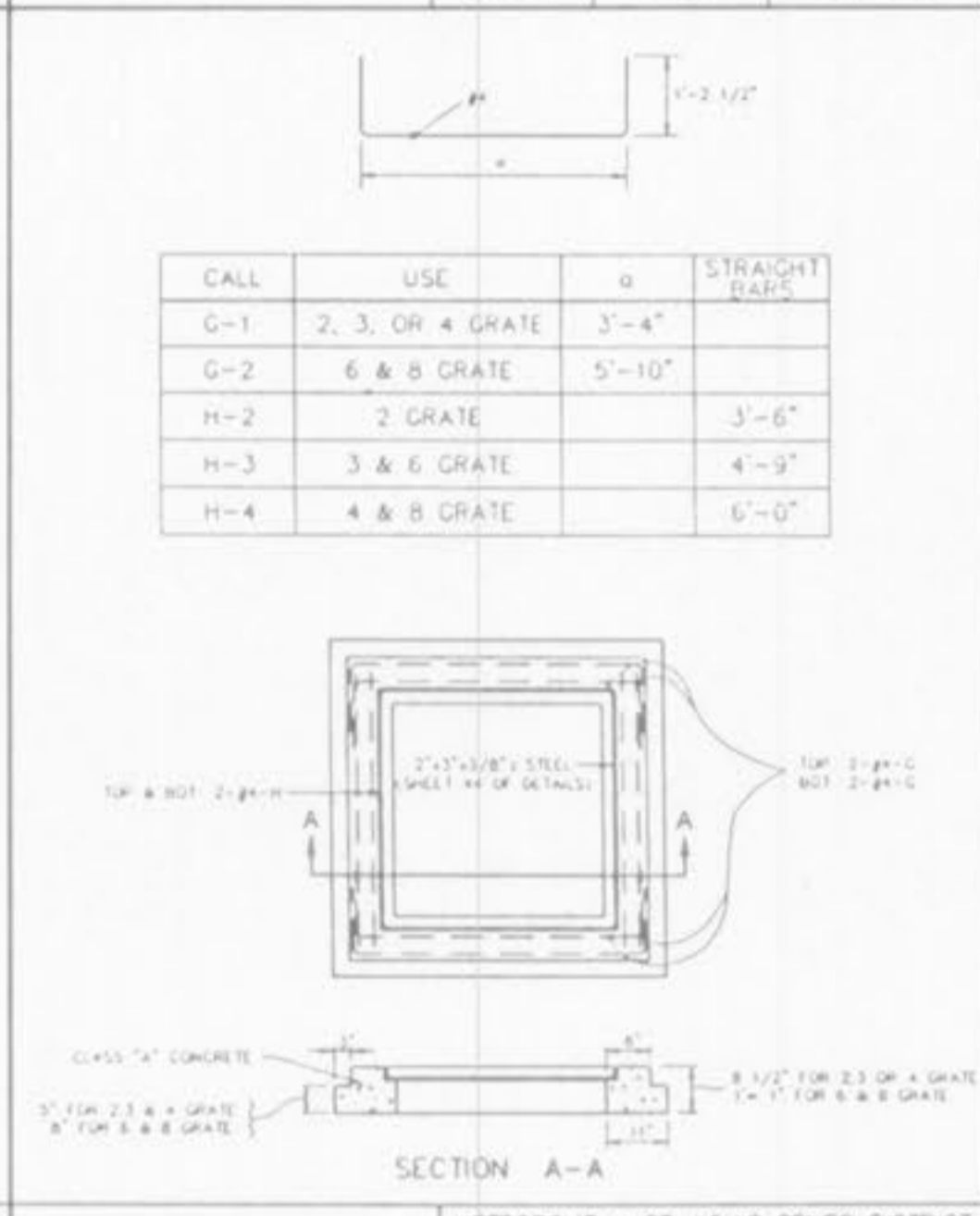
PRE-CAST CONCRETE INLET COVER  
 METROPOLITAN ST. LOUIS SEWER DISTRICT Standard Details of Sewer Construction  
 D: R.C.W. / C.H. J.C.K. / 1992 / SHEET 43



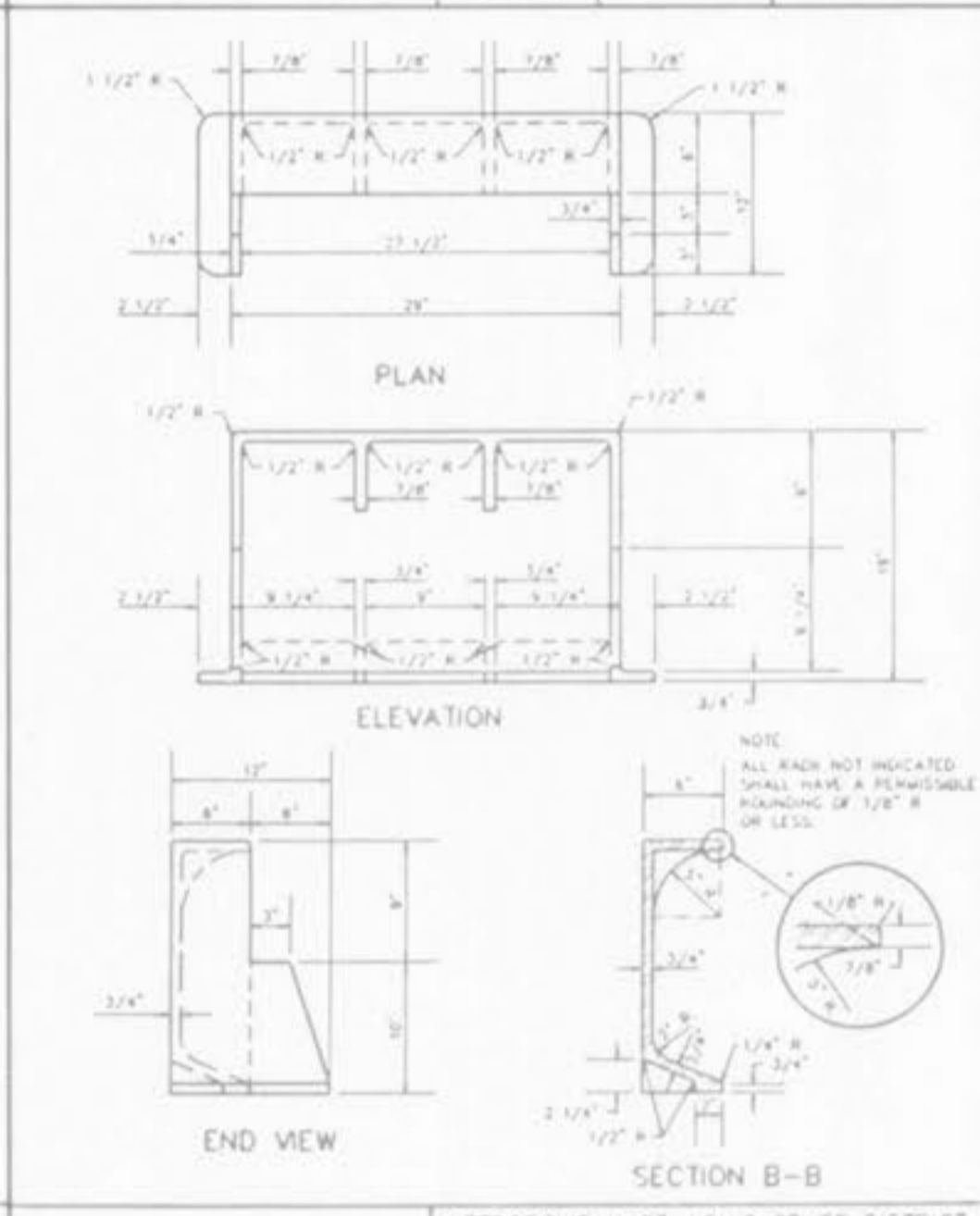
DETAILS OF INLET FRAME AND GRATES  
 METROPOLITAN ST. LOUIS SEWER DISTRICT Standard Details of Sewer Construction  
 D: R.C.W. / C.H. J.C.K. / 1992 / SHEET 44



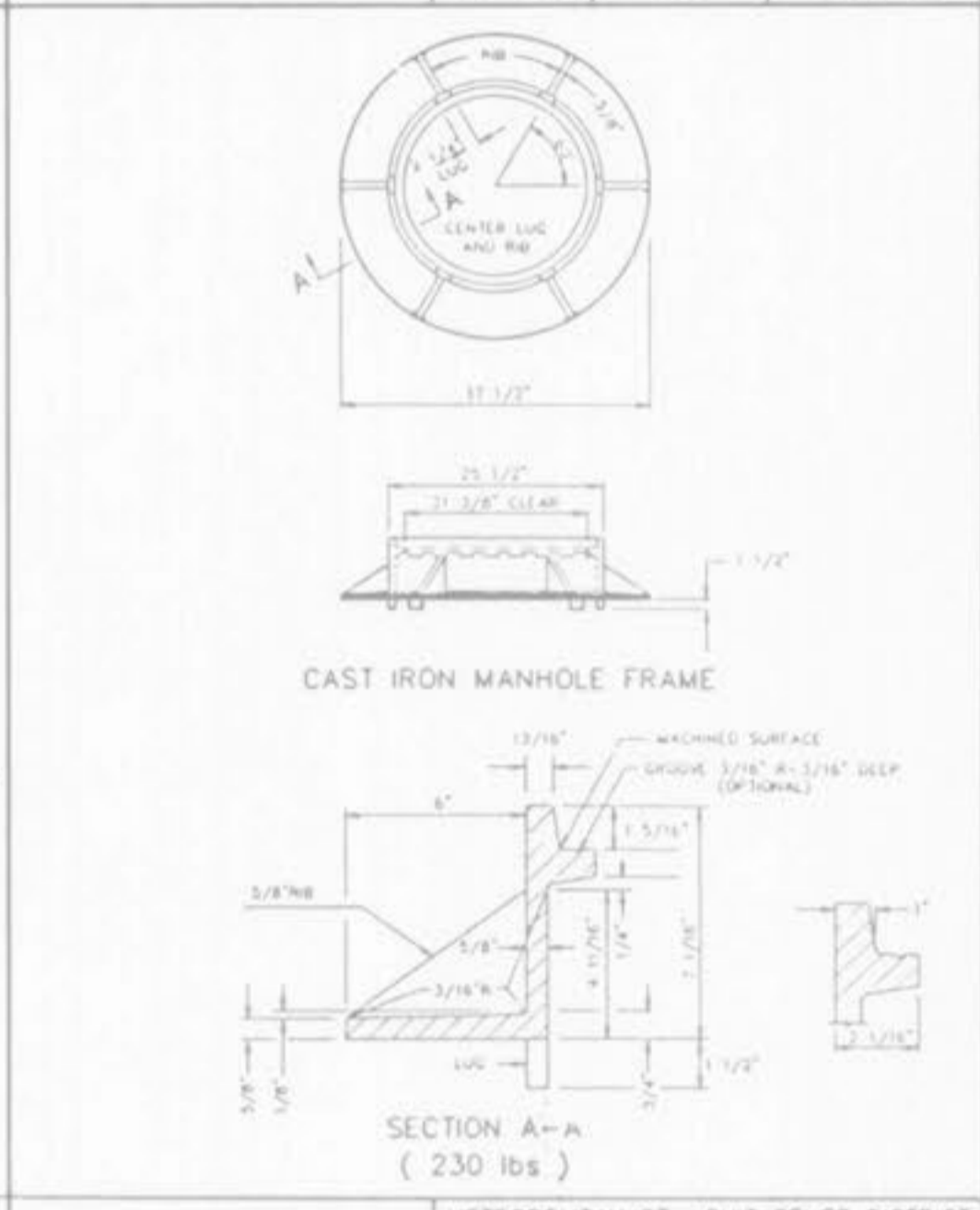
DETAIL OF STEEL GRATE  
 METROPOLITAN ST. LOUIS SEWER DISTRICT Standard Details of Sewer Construction  
 D: R.C.W. / C.H. J.C.K. / 1992 / SHEET 45



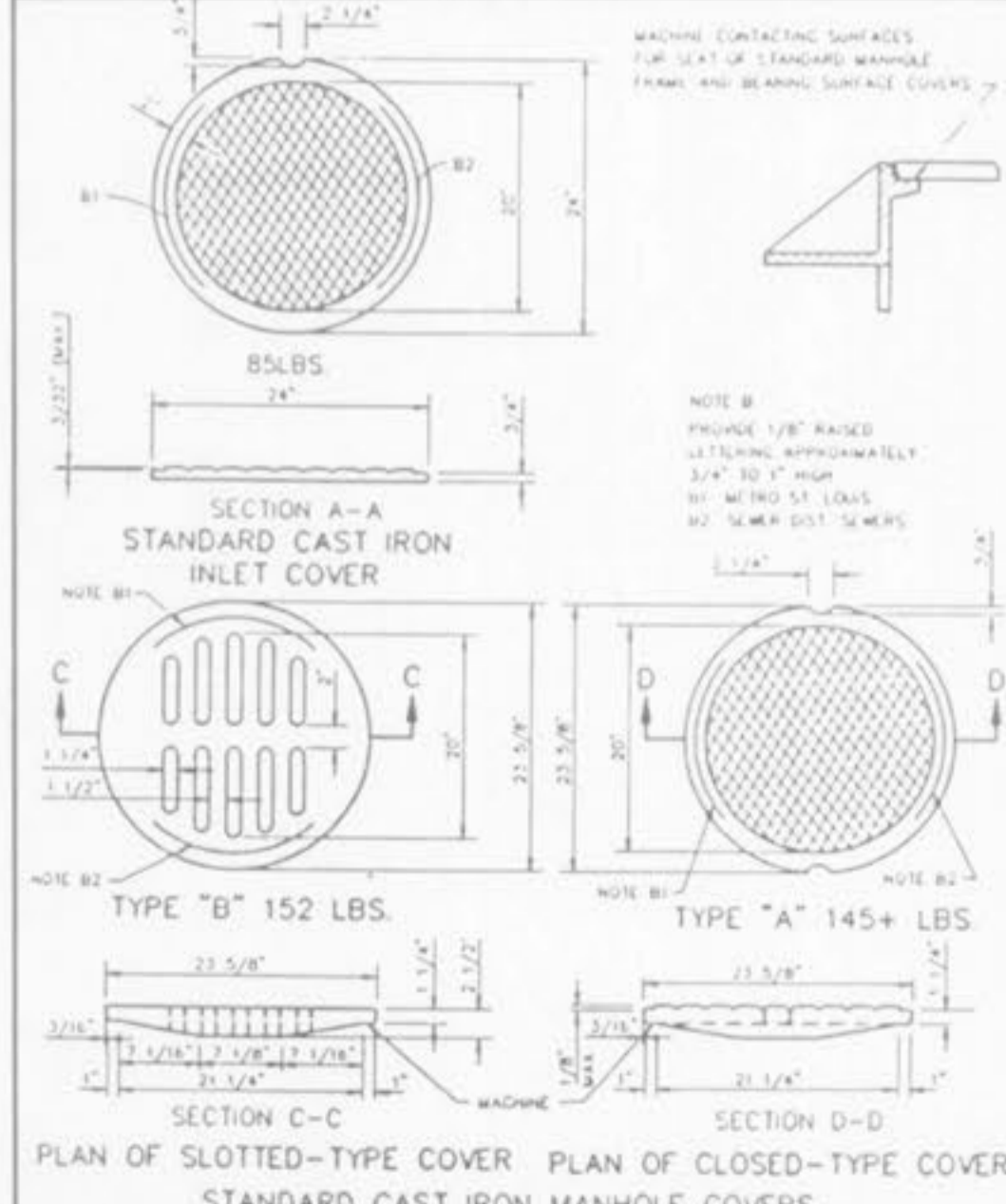
STEEL REQUIREMENTS FOR GRATE INLET SEAT  
 METROPOLITAN ST. LOUIS SEWER DISTRICT Standard Details of Sewer Construction  
 D: W.S.H. / C.H. J.C.K. / 1992 / SHEET 46



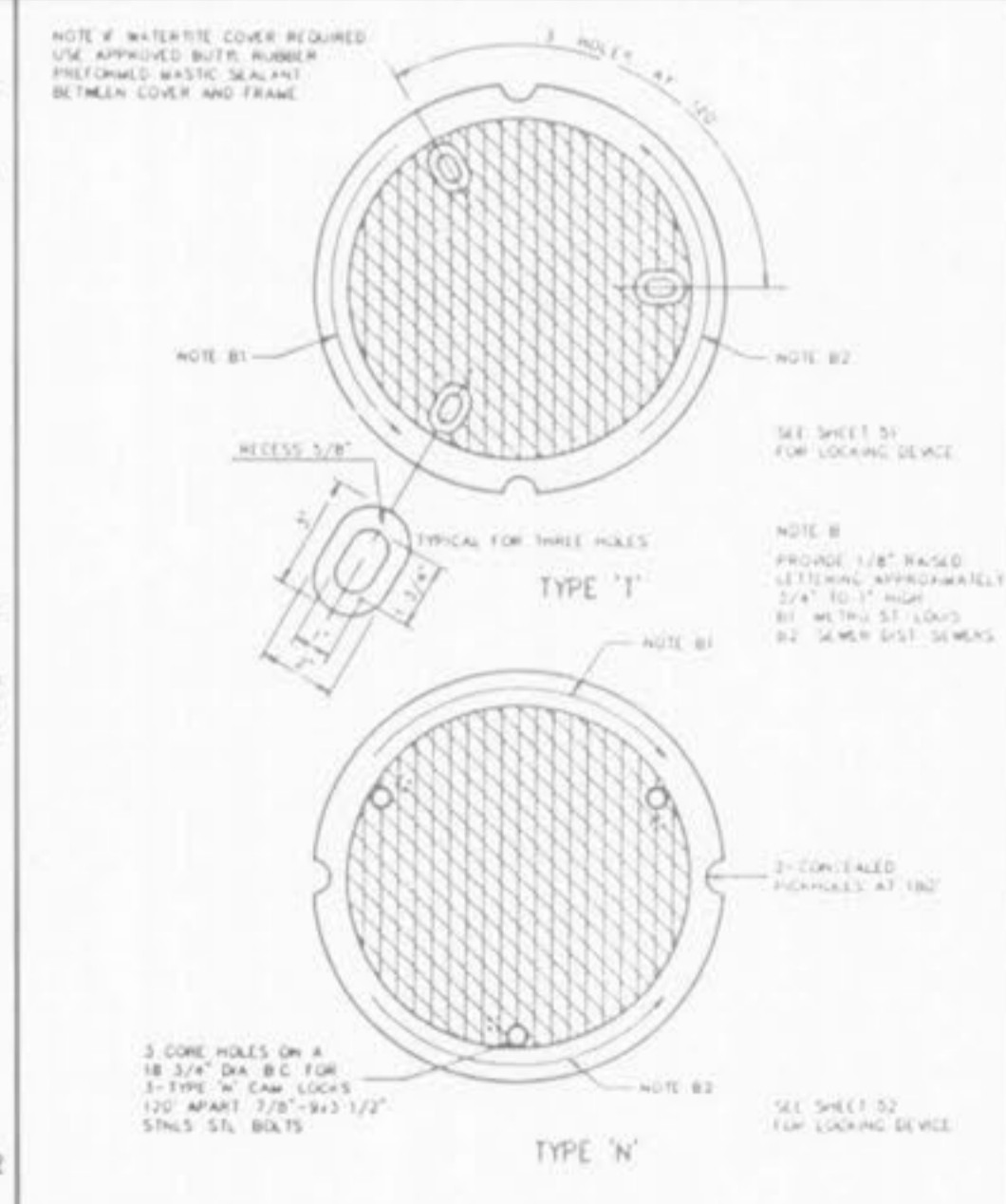
CAST IRON SIDE INTAKE UNIT FOR GRATED INLETS 249 LBS.  
 METROPOLITAN ST. LOUIS SEWER DISTRICT Standard Details of Sewer Construction  
 D: R.C.W. / C.H. J.C.K. / 1992 / SHEET 47



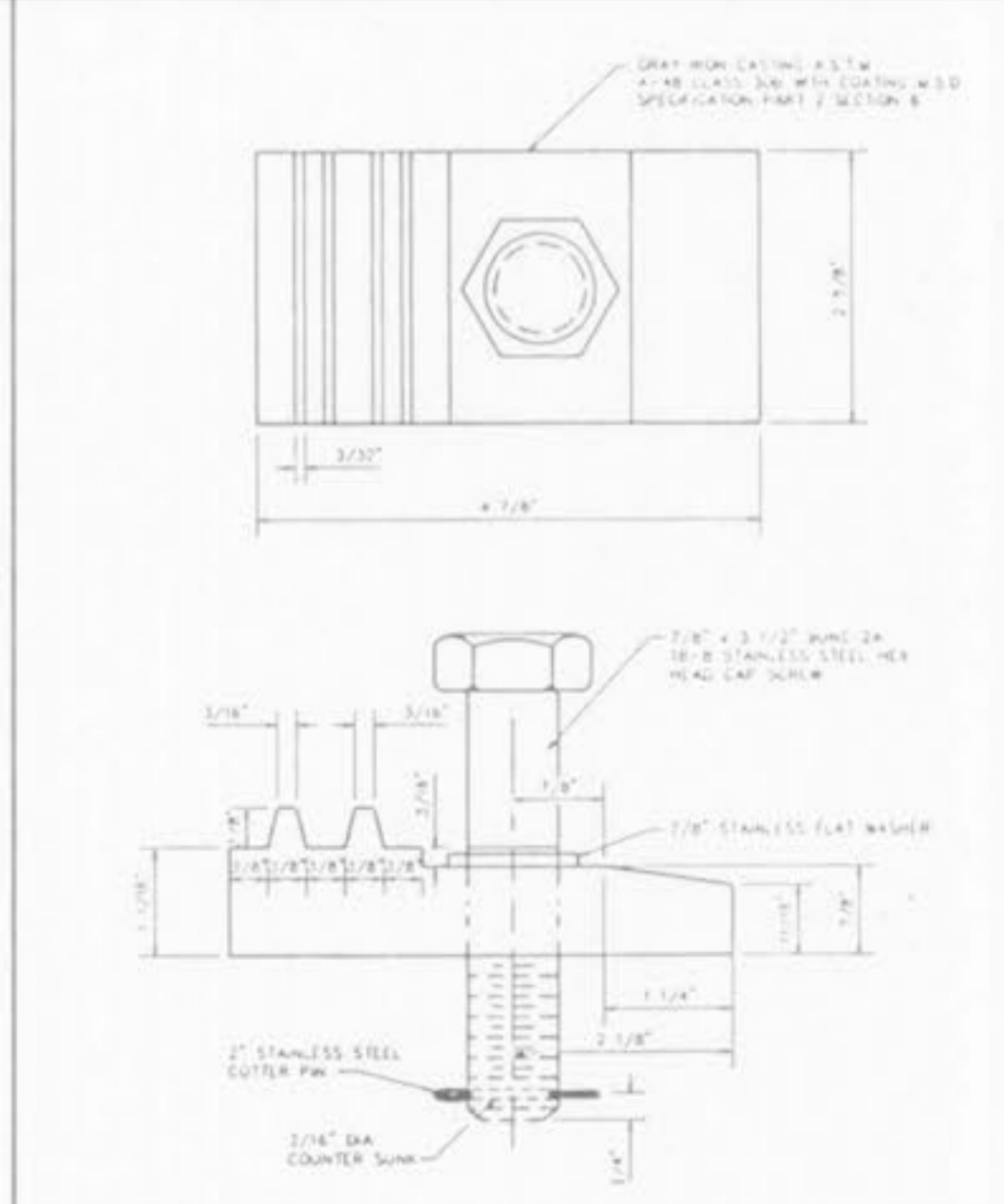
CAST IRON MANHOLE FRAME  
 METROPOLITAN ST. LOUIS SEWER DISTRICT Standard Details of Sewer Construction  
 D: D.A.B. / C.H. J.C.K. / 1992 / SHEET 48



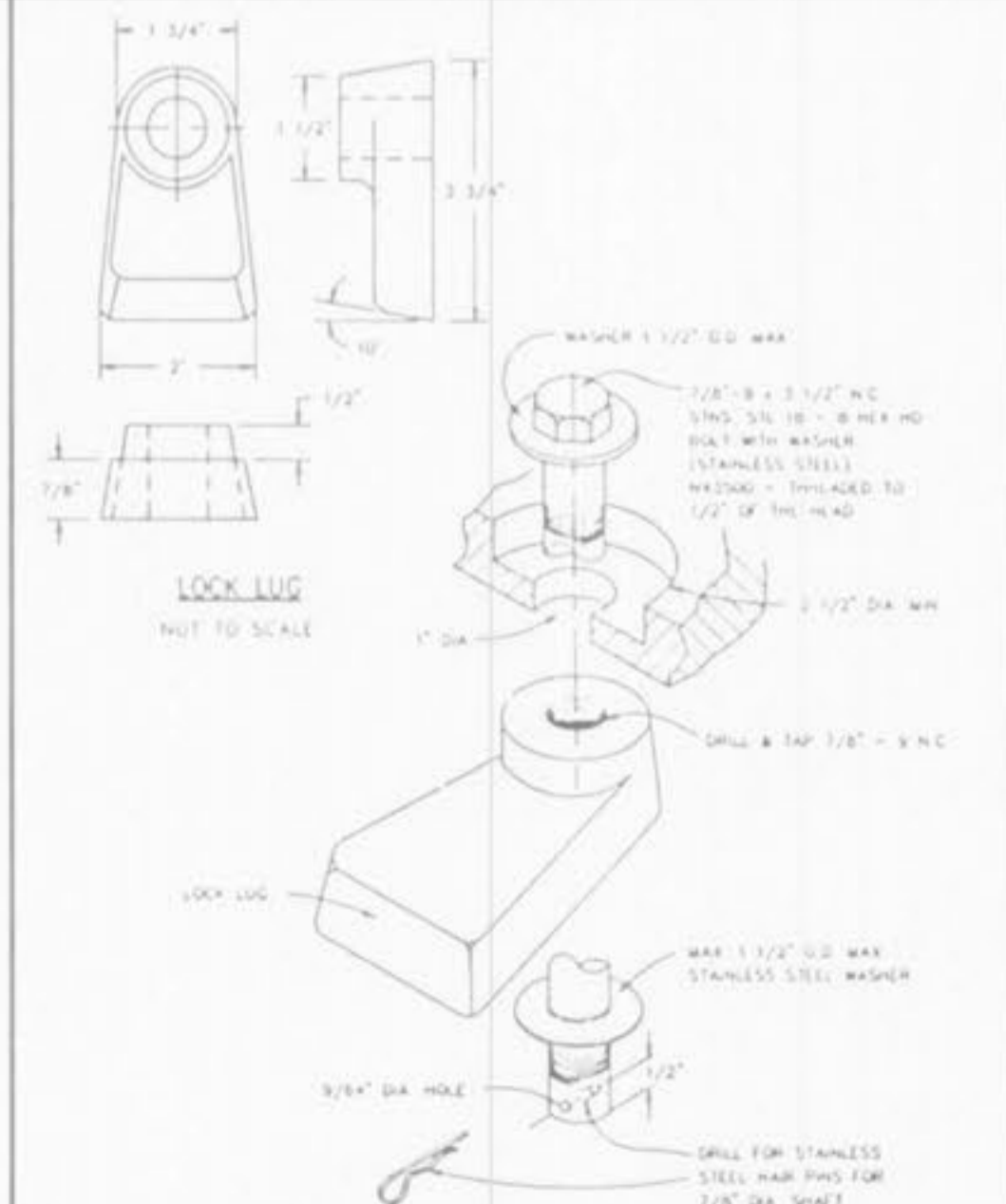
CAST IRON COVERS MANHOLES AND INLETS  
 METROPOLITAN ST. LOUIS SEWER DISTRICT Standard Details of Sewer Construction  
 D: R.C.W. / C.H. J.C.K. / 1992 / SHEET 49



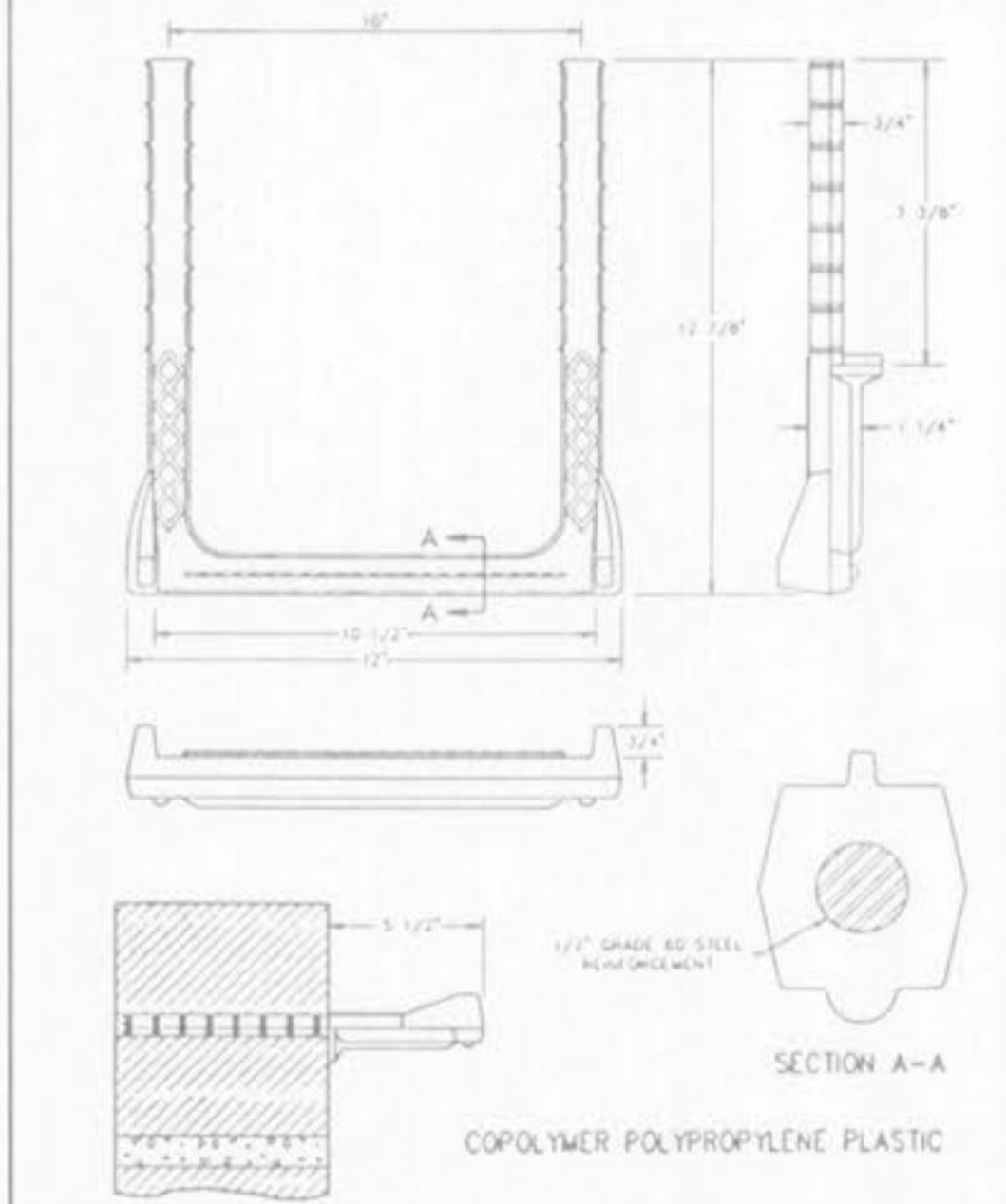
CAST IRON MANHOLE COVERS (LOCK TYPE)  
 METROPOLITAN ST. LOUIS SEWER DISTRICT Standard Details of Sewer Construction  
 D: W.S.H. / C.H. J.C.K. / 1992 / SHEET 50



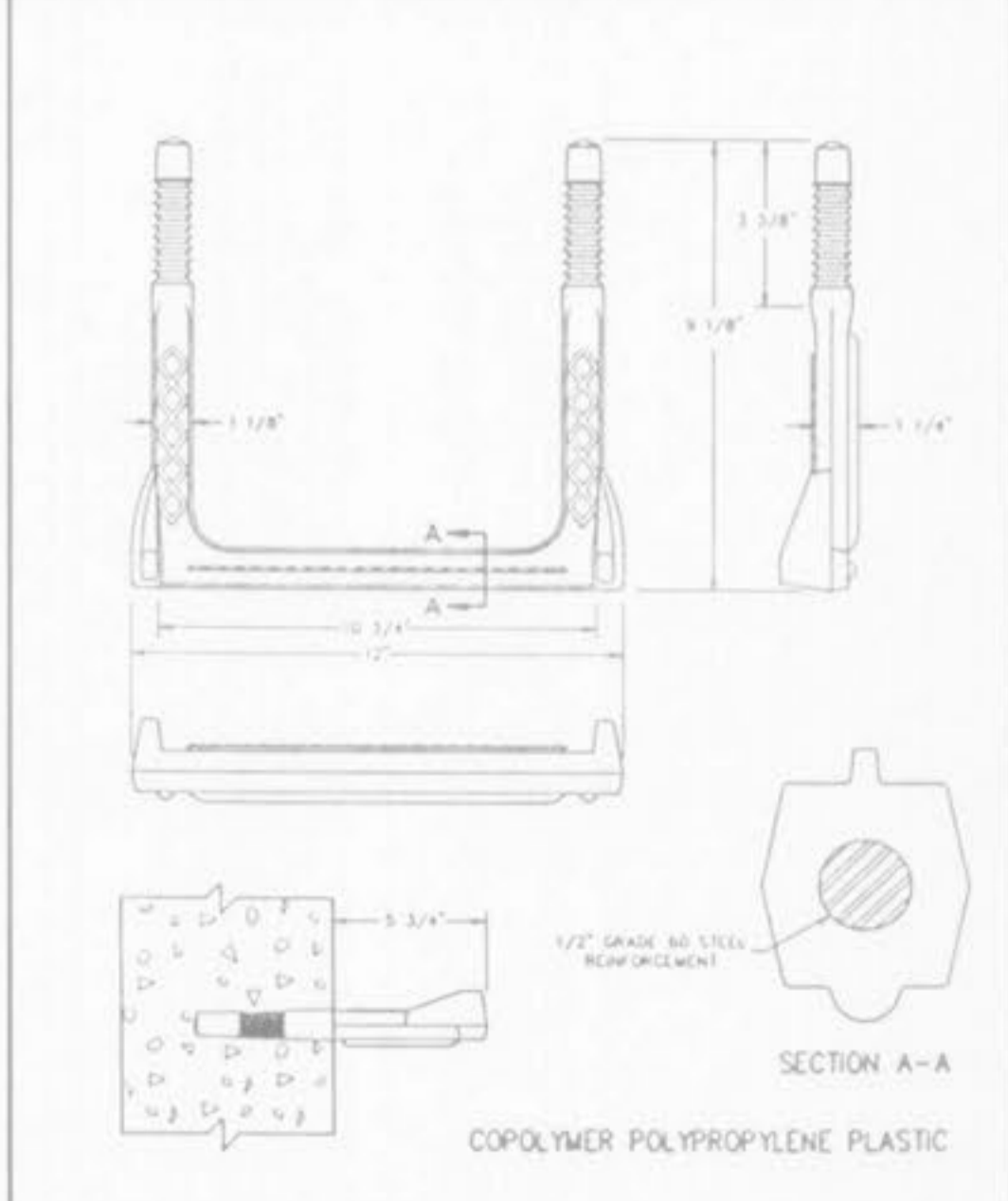
LOCKING DEVICE FOR TYPE 'M' LOCK TYPE MANHOLE COVER  
 METROPOLITAN ST. LOUIS SEWER DISTRICT Standard Details of Sewer Construction  
 D: R.C.W. / C.H. J.C.K. / 1992 / SHEET 51



LOCKING DEVICE FOR TYPE 'N' LOCK TYPE MANHOLE COVER  
 METROPOLITAN ST. LOUIS SEWER DISTRICT Standard Details of Sewer Construction  
 D: J.L.C. / C.H. J.C.K. / 1992 / SHEET 52



PS1-B MANHOLE STEP INTO JOINT  
 METROPOLITAN ST. LOUIS SEWER DISTRICT Standard Details of Sewer Construction  
 D: W.S.H. / C.H. J.C.K. / 1992 / SHEET 53



MANHOLE STEP FOR PRECAST MANHOLE  
 METROPOLITAN ST. LOUIS SEWER DISTRICT Standard Details of Sewer Construction  
 D: D.A.B. / C.H. J.C.K. / 1992 / SHEET 54