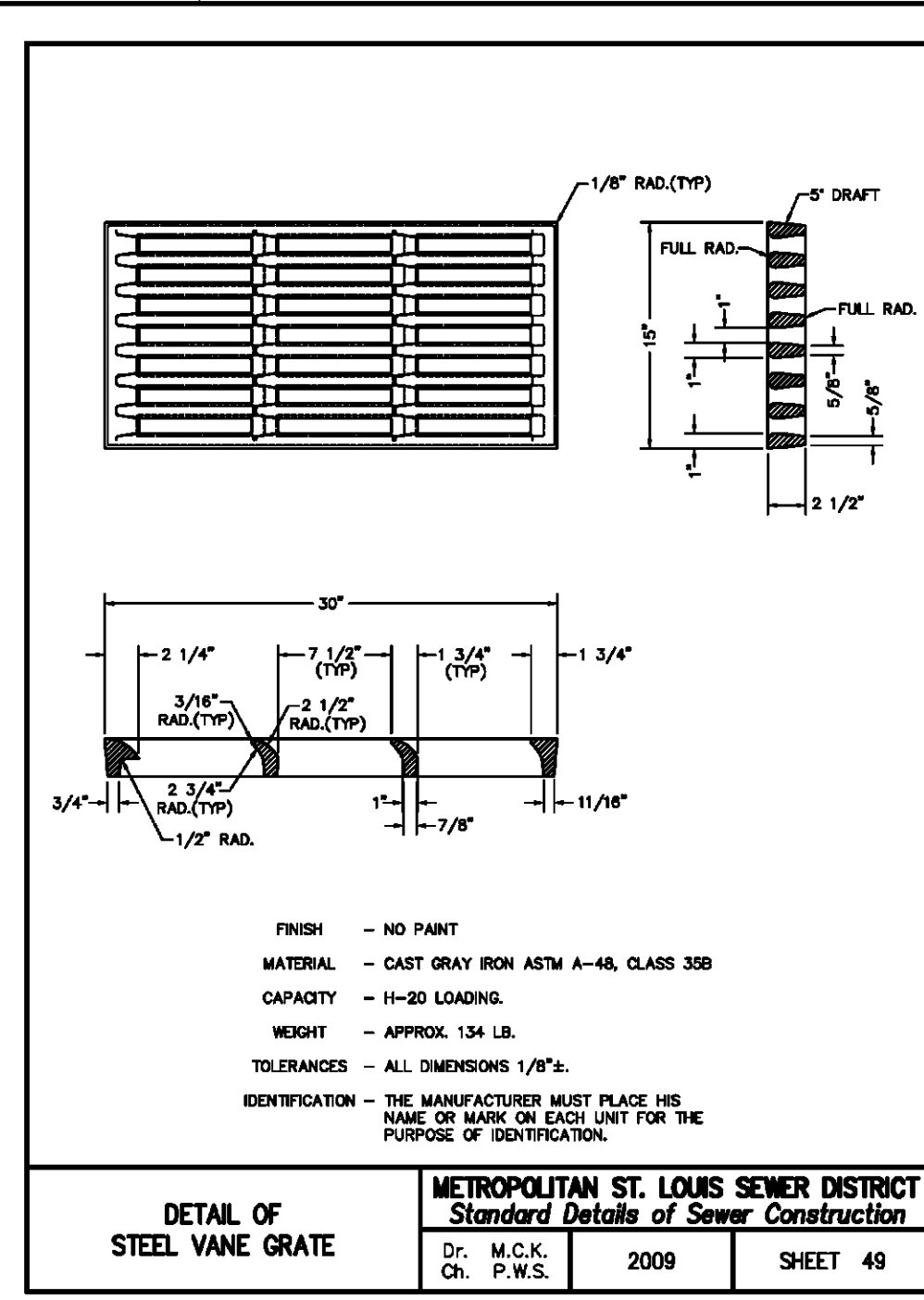
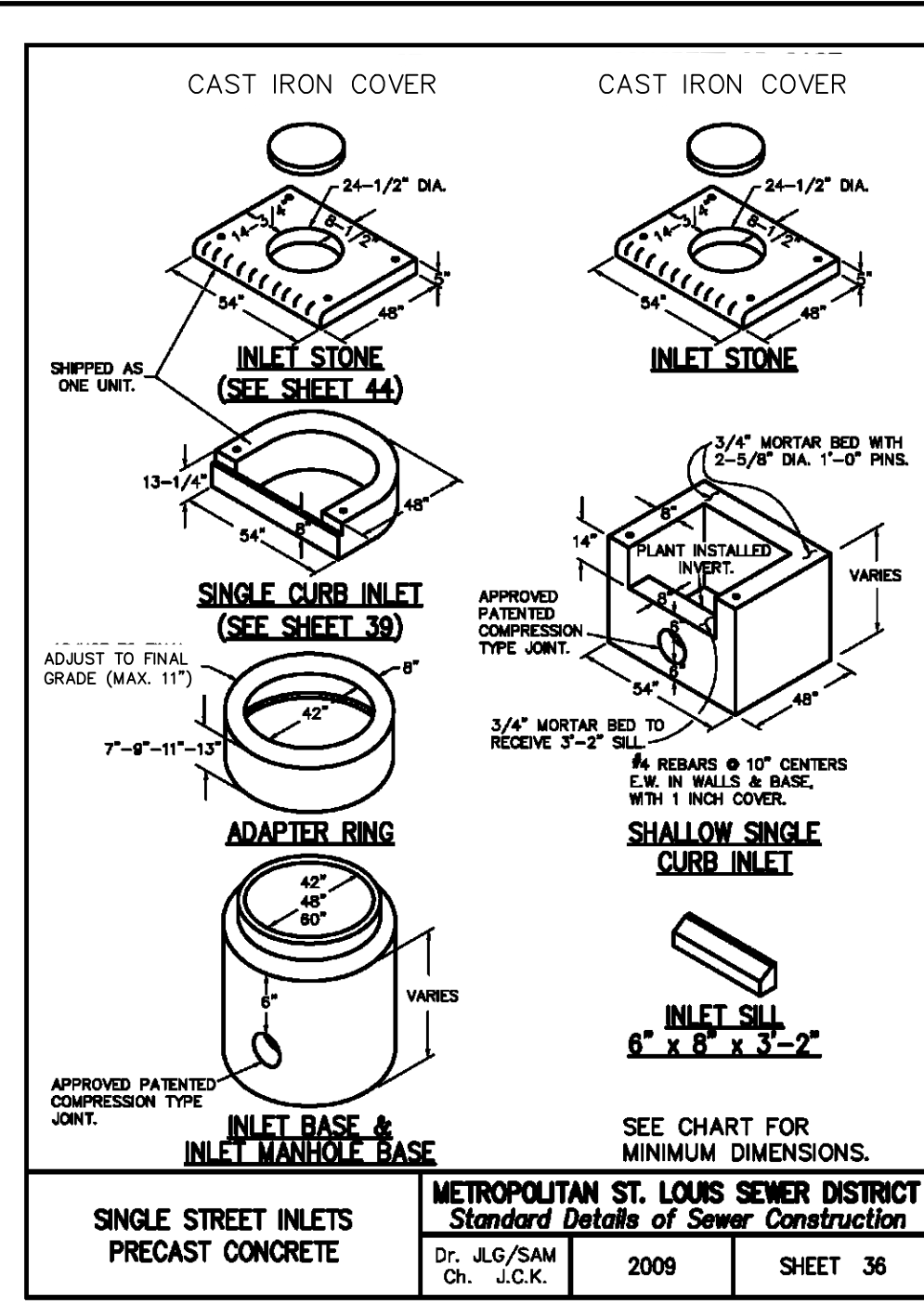
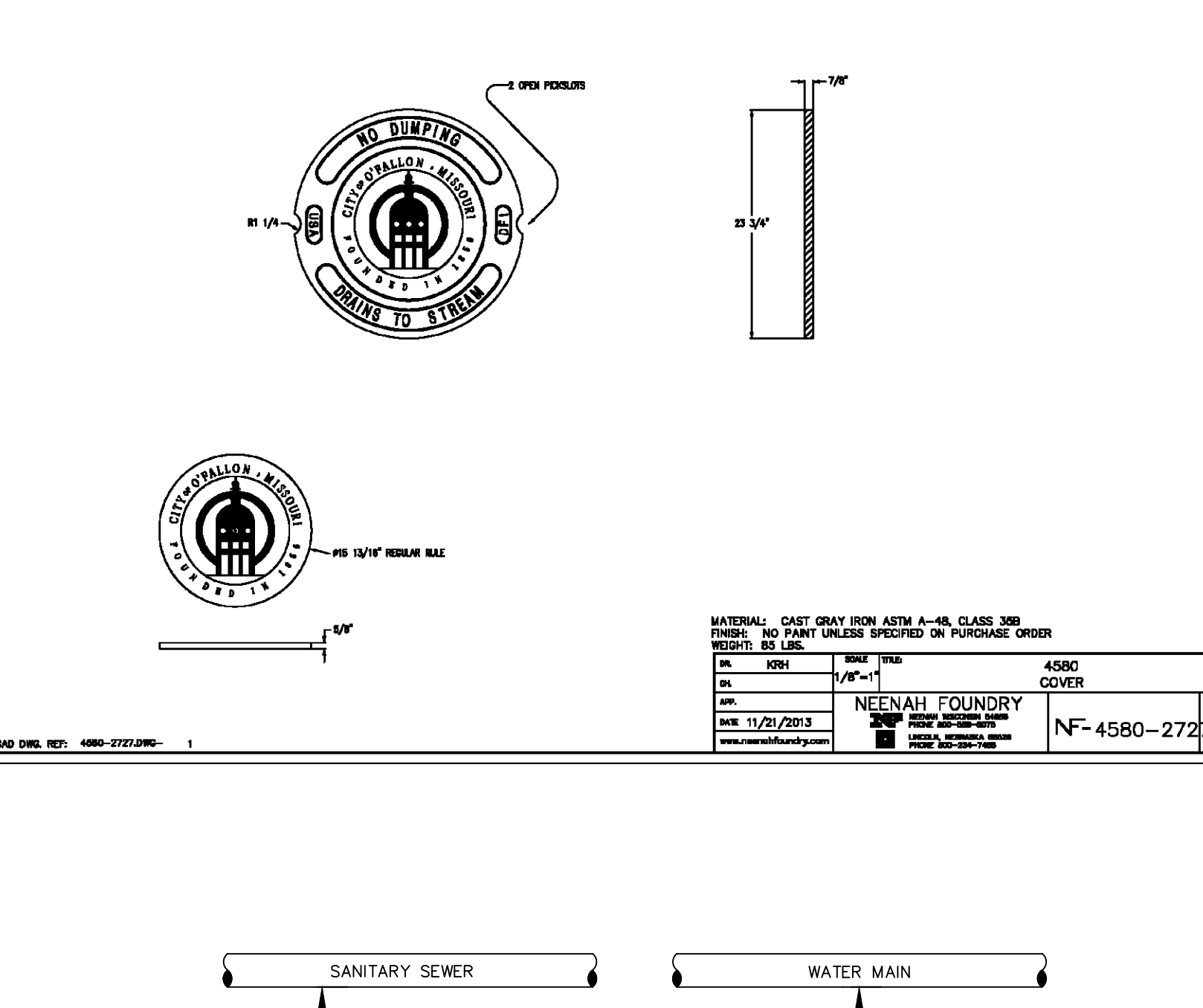
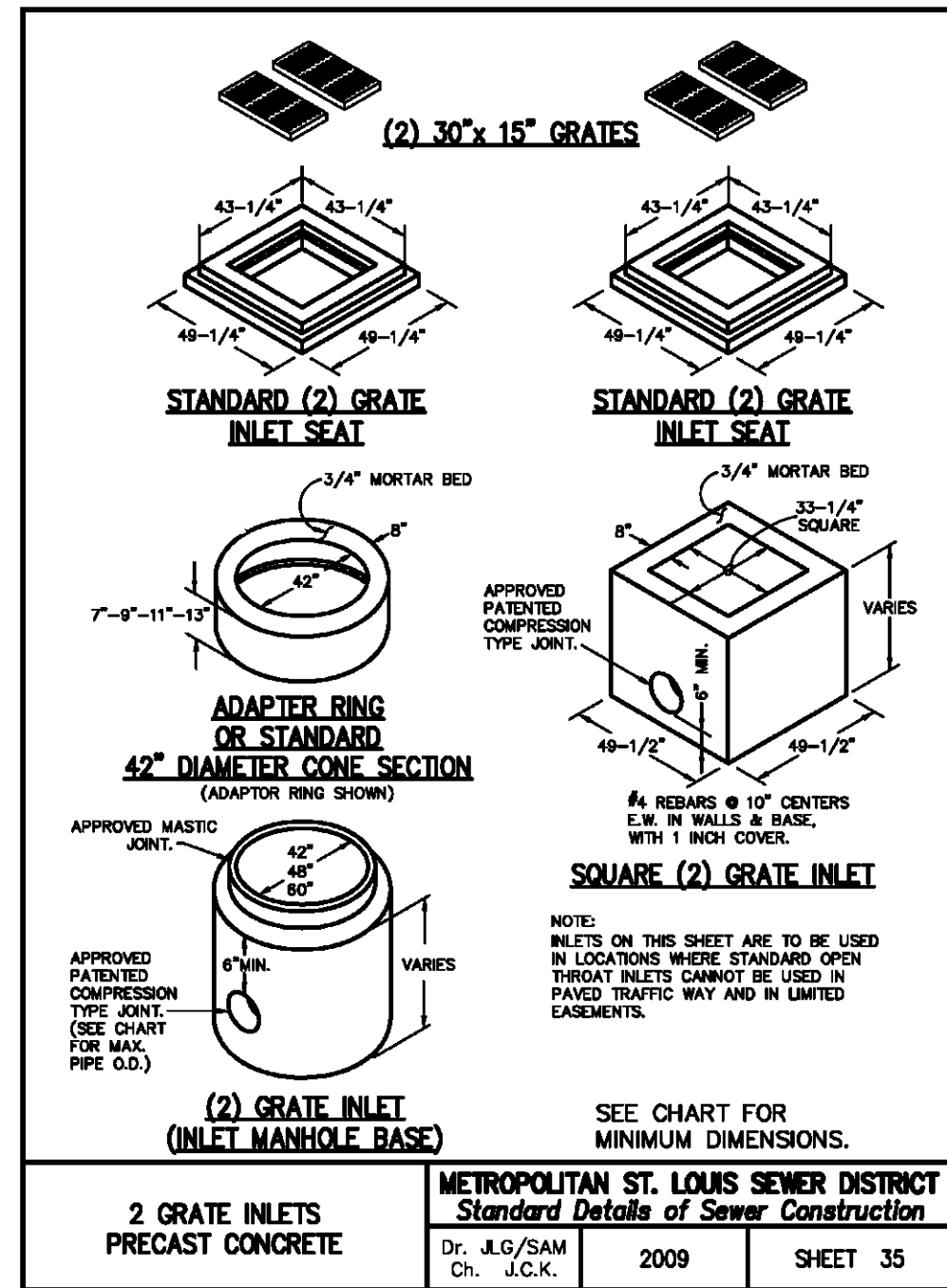
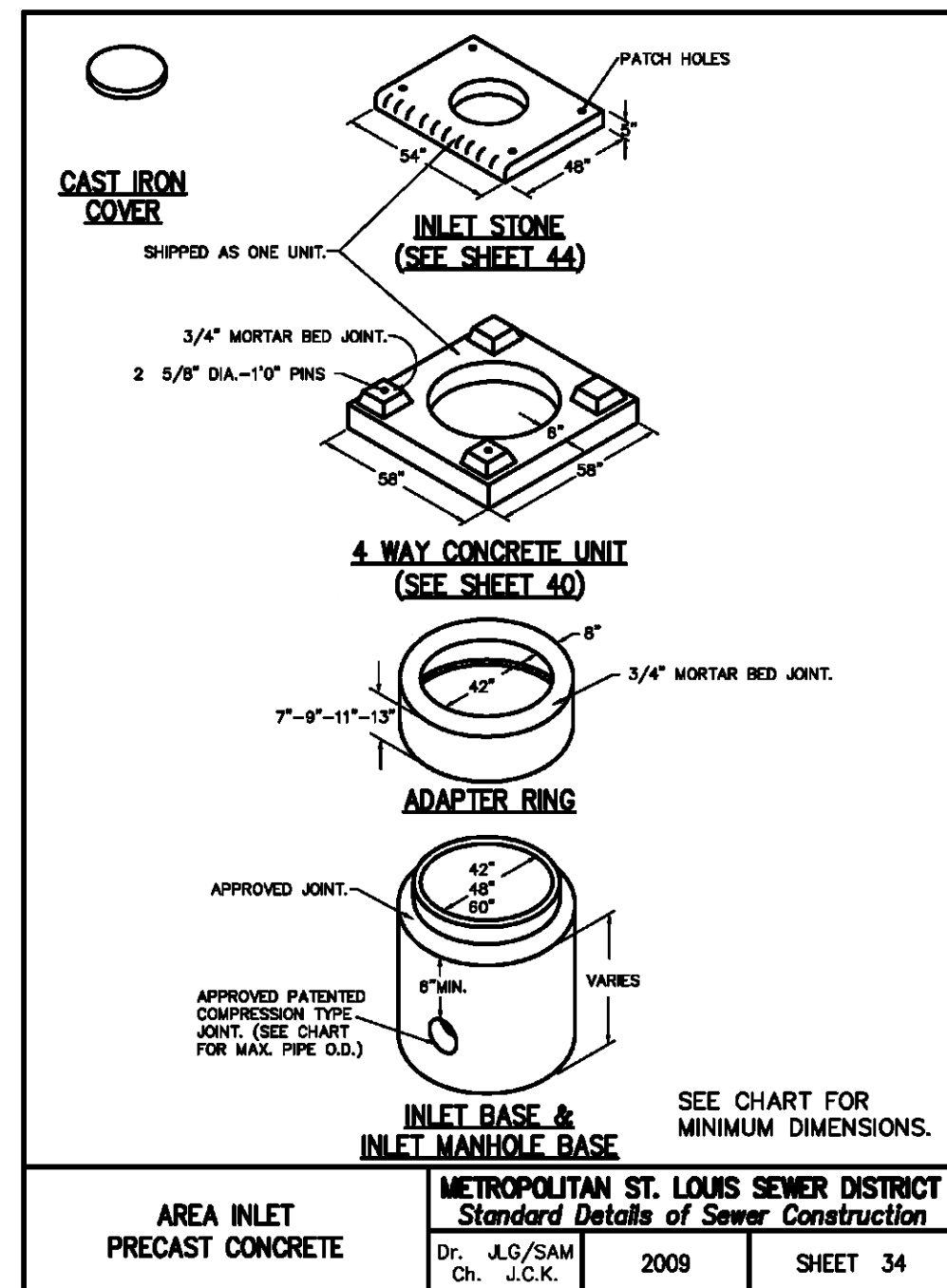
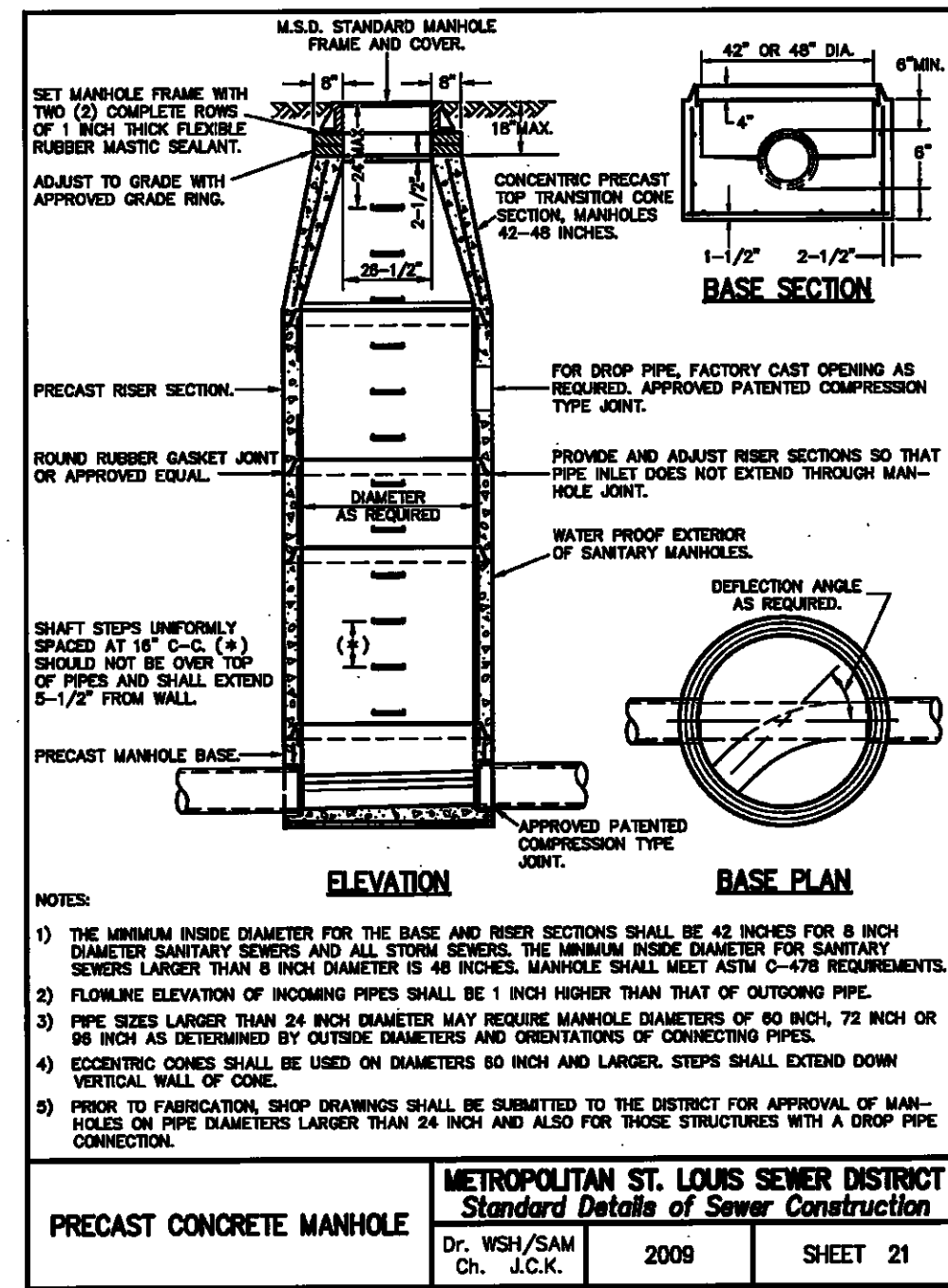


ROUND PIPE				HORIZONTAL ELLIPTICAL PIPE			
INSIDE DIAMETER OF PIPE (INCHES)	"W" PAYLINE WIDTH OF TRENCH (INCHES)	"W" PAYLINE WIDTH OF TRENCH (FEET)	PAY-VOLUMES CU. FT. PER FT.	"W" DIMENSIONS (INCHES)	"W" PAYLINE WIDTH OF TRENCH (INCHES)	"W" PAYLINE WIDTH OF TRENCH (FEET)	PAY-VOLUMES CU. FT. PER FT.
4	32	2.50	3.25				
6	30	2.50	3.25				
8	30	2.50	3.25				
10	30	2.50	4.08				
12	30	2.50	4.25				
15	36	3.00	5.50				
18	36	3.00	5.77	14 x 23	41	3.42	5.94
21	39	3.25	6.61				
24	42	3.50	7.39	19 x 30	49	4.08	7.68
27	45	3.75	8.18	22 x 34	53	4.42	8.81
30	48	4.08	8.93	24 x 38	56	4.83	9.70
33	53	4.42	10.53	27 x 42	62	5.17	10.71
36	56	4.67	11.43	29 x 45	66	5.50	11.72
39	59	4.92	12.33	31 x 48	71	5.82	12.73
42	63	5.25	13.38	34 x 53	75	6.26	14.05
46	70	5.83	15.67	38 x 60	83	6.92	16.18
54	77	6.42	18.15	43 x 68	92	7.67	18.81
60	84	7.00	20.73	48 x 76	101	8.42	21.59
66	91	7.58	23.45	53 x 83	109	9.08	24.35
72	98	8.17	26.37	58 x 91	118	9.83	27.45
78	105	8.75	29.39	63 x 99	126	10.59	30.50
84	112	9.33	32.57	68 x 106	135	11.25	33.91
90	119	9.92	35.90	72 x 113	143	11.92	36.99
96	126	10.50	39.37	77 x 121	152	12.67	40.49
102	133	11.08	42.99	82 x 129	160	13.33	44.45
108	140	11.67	46.76	87 x 136	168	14.00	47.79
114	147	12.26	50.66	92 x 143	176	14.67	51.60
120	154	12.83	54.72	97 x 151	185	15.42	56.01
126	161	13.42	58.92				
132	168	14.00	63.27	106 x 169	202	16.83	64.48
144	182	15.17	72.49	116 x 189	218	18.17	73.99

TABLE 1  
PAYLINE WIDTHS OF TRENCH AND PAY-QUANTITIES OF CONCRETE

METROPOLITAN ST. LOUIS SEWER DISTRICT  
Standard Details of Sewer Construction

Dr. B.E.S./SAM  
Ch. J.C.K. 2009 SHEET 1

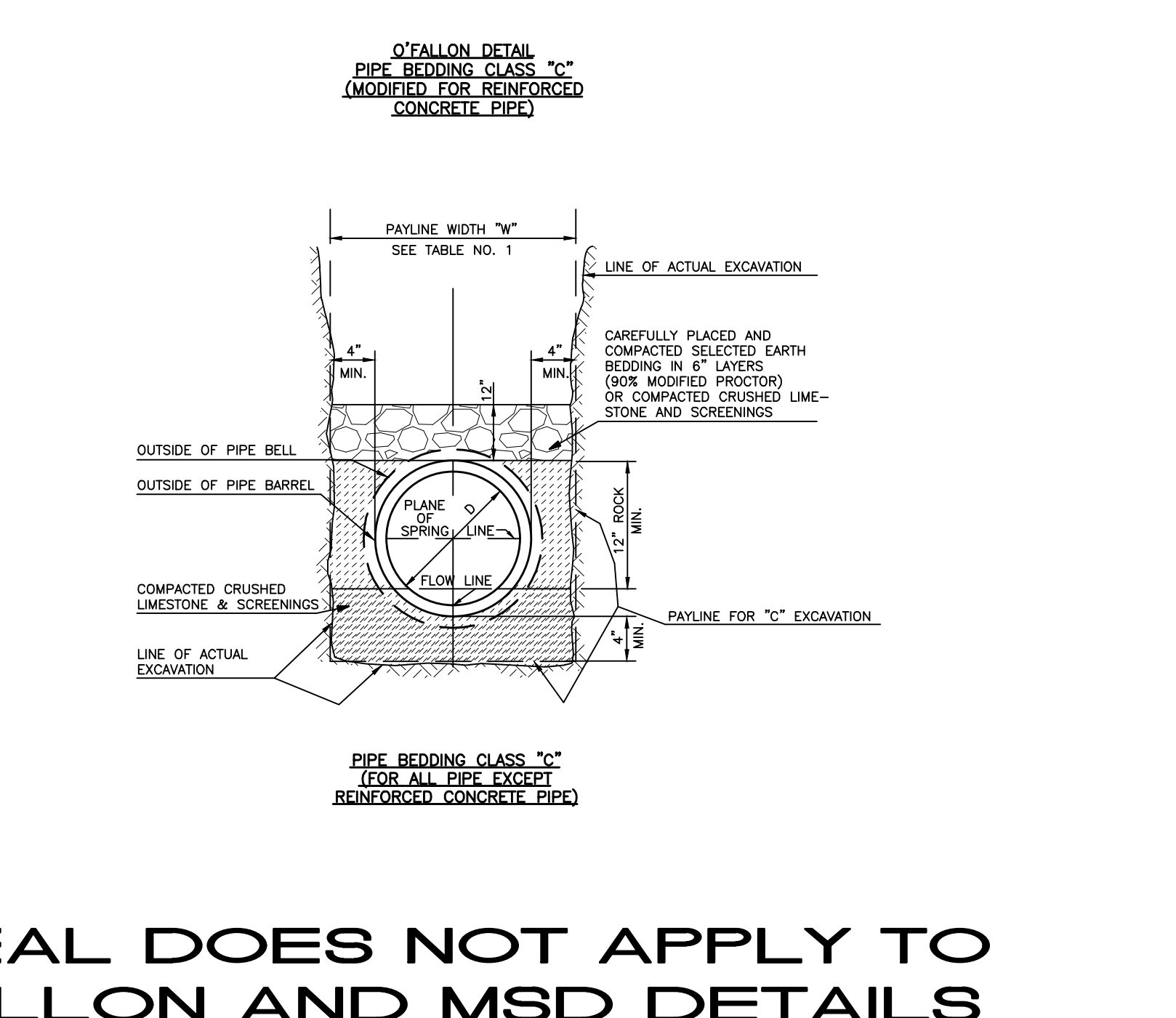
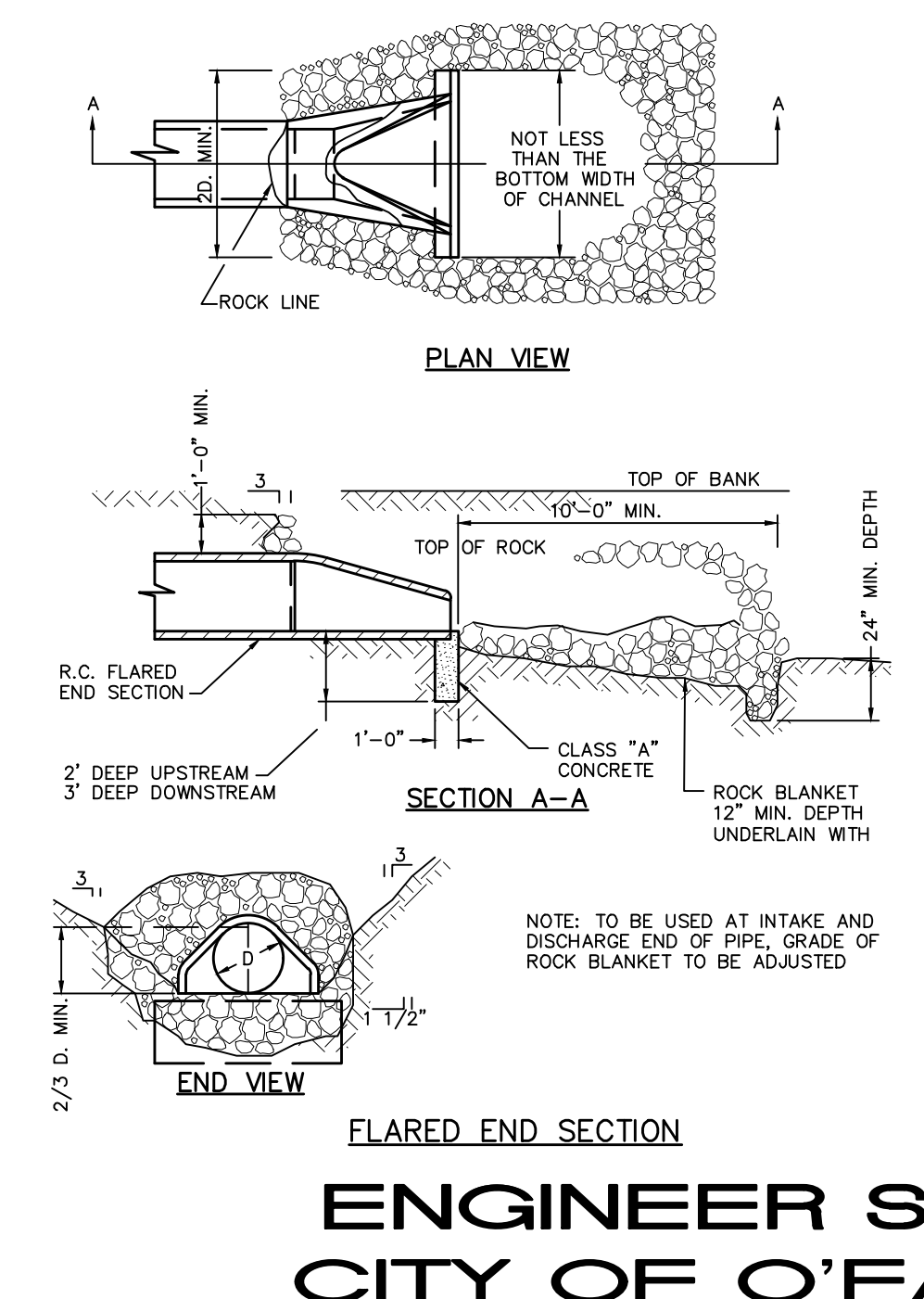
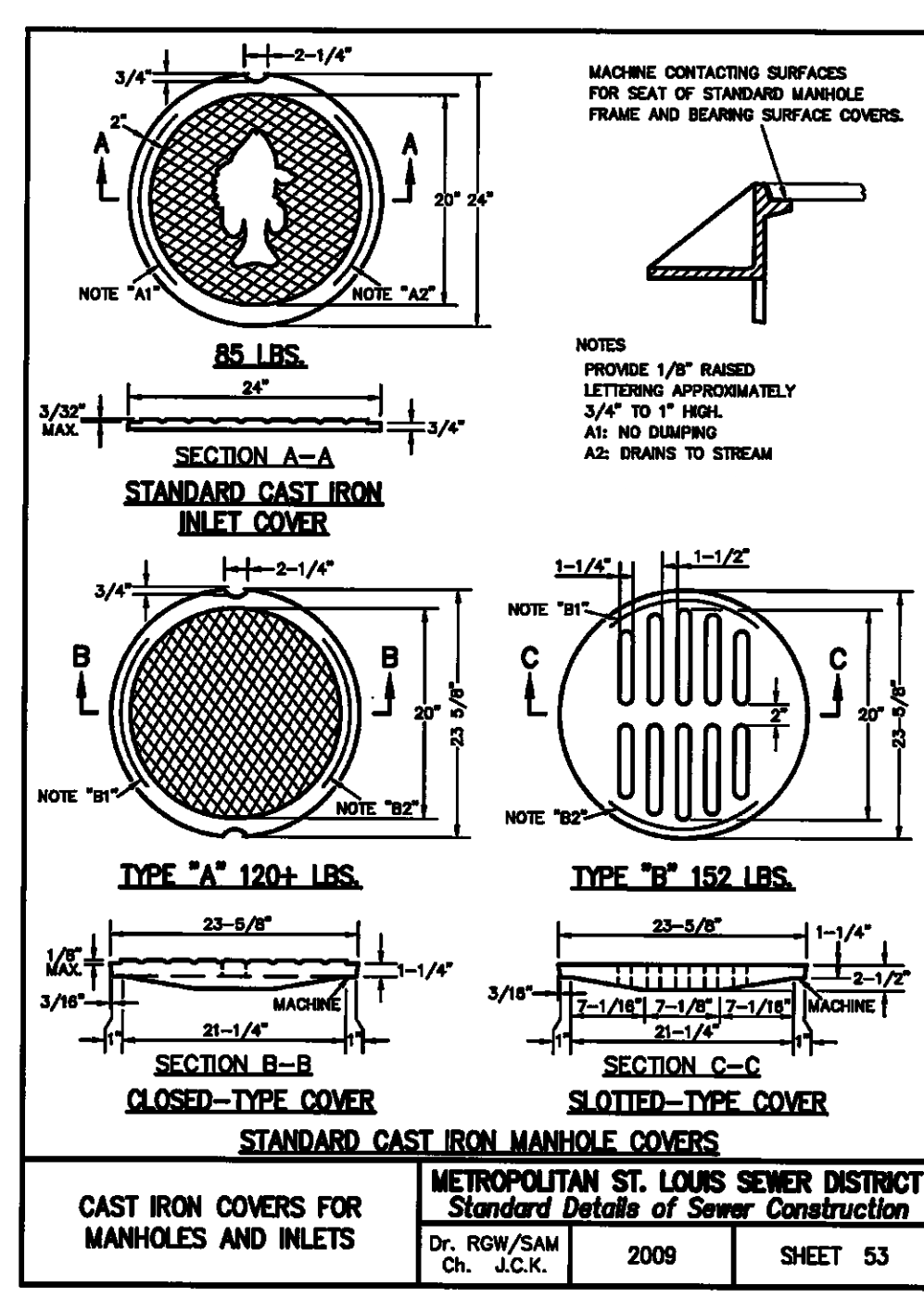
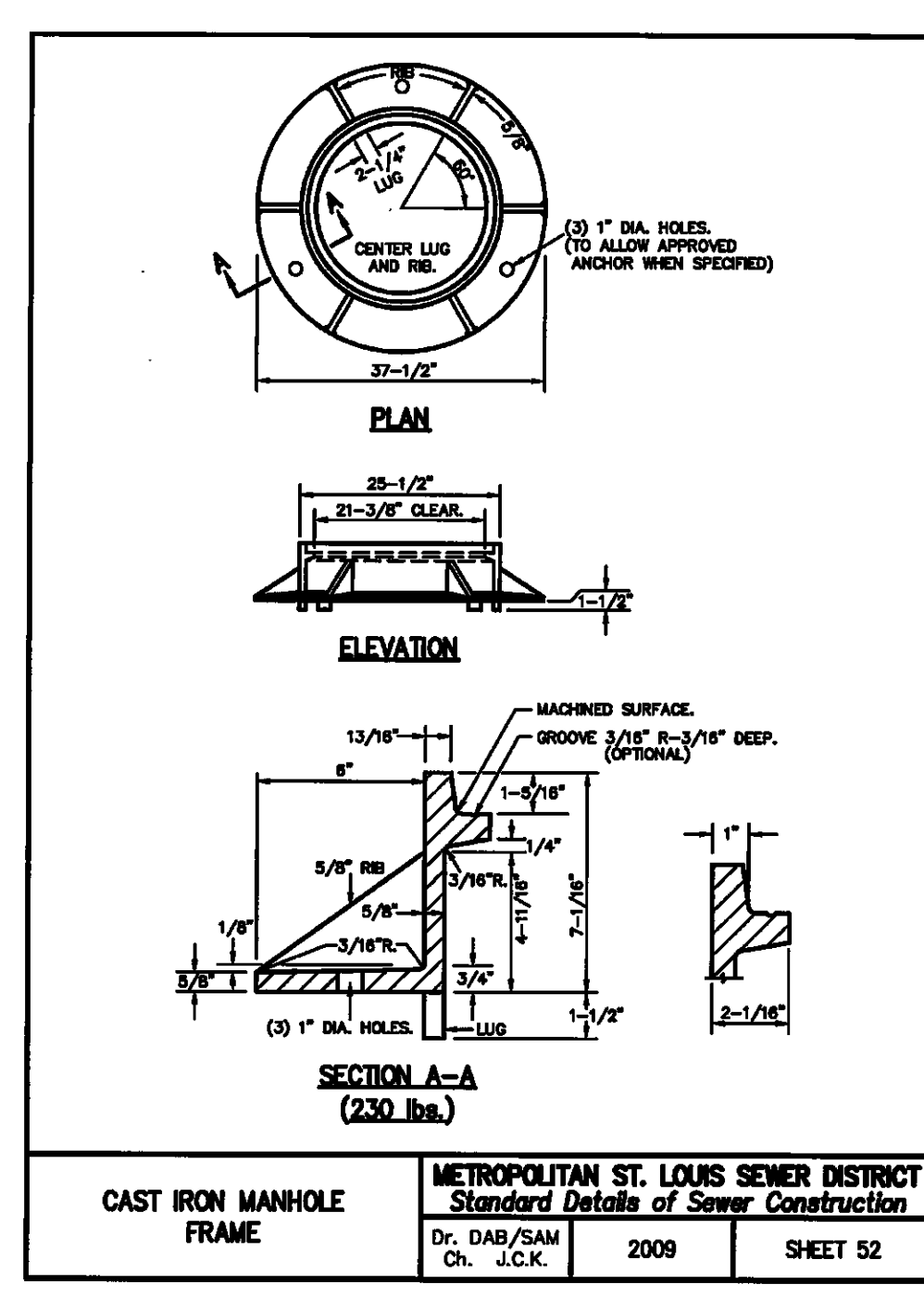


STEEL REQUIREMENTS FOR GRATE INLET SEAT

CALL	USE	a	STRAIGHT BARS
G-1	2, 3, OR 4 GRATE	3'-4"	
G-2	6 & 8 GRATE	5'-10"	
H-2	2 GRATE	3'-6"	
H-3	3 & 6 GRATE	4'-9"	
H-4	4 & 8 GRATE	6'-0"	

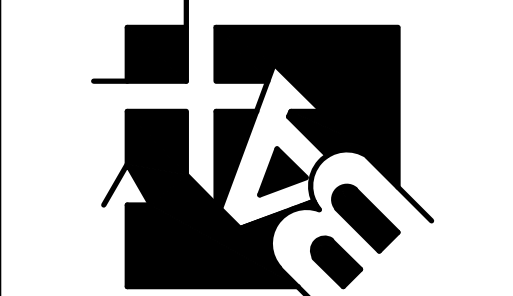
METROPOLITAN ST. LOUIS SEWER DISTRICT  
Standard Details of Sewer Construction

Dr. W.H./SAM  
Ch. J.C.K. 2009 SHEET 50



PROJECT TITLE:  
CONSTRUCTION PLANS FOR  
DYNALFX  
8050 HAWK RIDGE TRAIL  
O'FALLON, MISSOURI 63376

ENGINEERING  
PLANNING  
SURVEYING  
221 Point View Blvd.  
St. Charles, MO 63001  
636-928-5552  
FAX 636-928-1718



DISCLAIMER OF RESPONSIBILITY  
I hereby specify that the documents intended to be authorized by my seal are limited to this sheet, and I hereby disclaim any responsibility for all other drawings, specifications, estimates, reports or other documents or instruments relating to or intended to be used for any part or parts of the architectural or engineering project of this nature.

LARRY D. WALKER  
Professional Engineer  
No. 2007020343  
10/3/16/20  
Copyright 2019  
Box Engineering Company, Inc.  
Authority No. 000655  
All Rights Reserved

REVISIONS

1-21-20	DCSD COMMENTS
1-31-20	DCSD/PWS/FIRE COMMENTS
2-11-20	CITY/FIRE COMMENTS
2-12-20	PWS COMMENTS
2-20-20	MODOT COMMENTS
3-16-20	WATER TAP REVISION

Developer / Owner:  
Duke Property Management L.L.C.  
10403 International Plaza  
St. Ann, Missouri 63074  
(314) 426-4020

P+Z No. #19-003530  
Approval Date 11-07-19  
City No. #

Page No.  
16 of 19

Box Project # 19-7667 Issue Date: 12/06/2019

STORM SEWER DETAILS