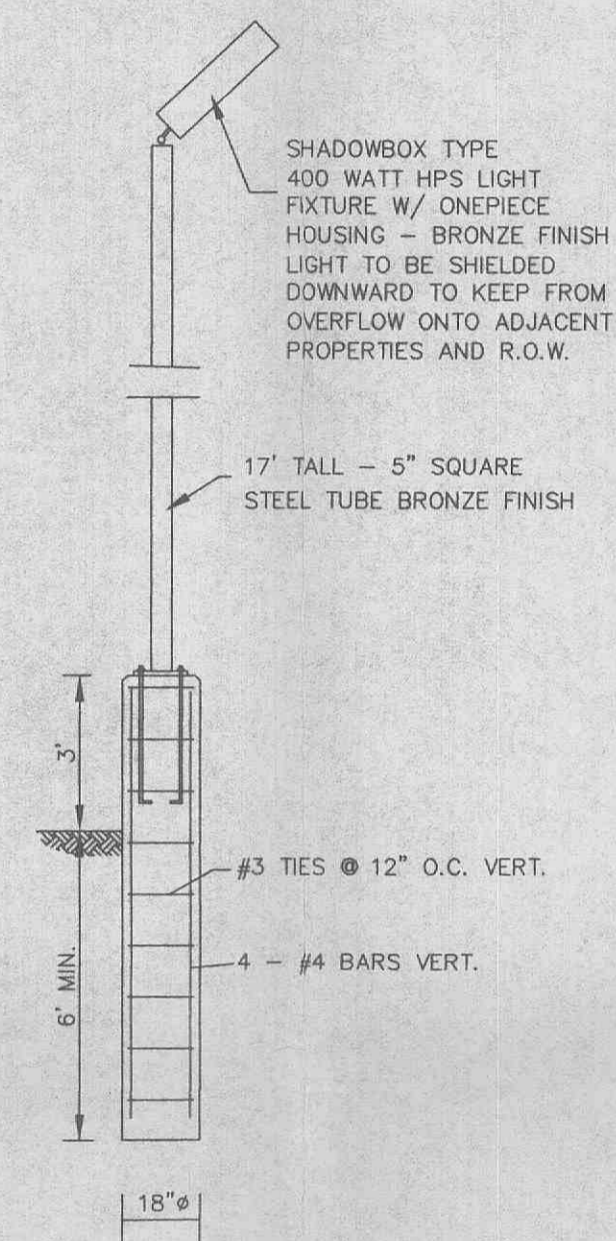
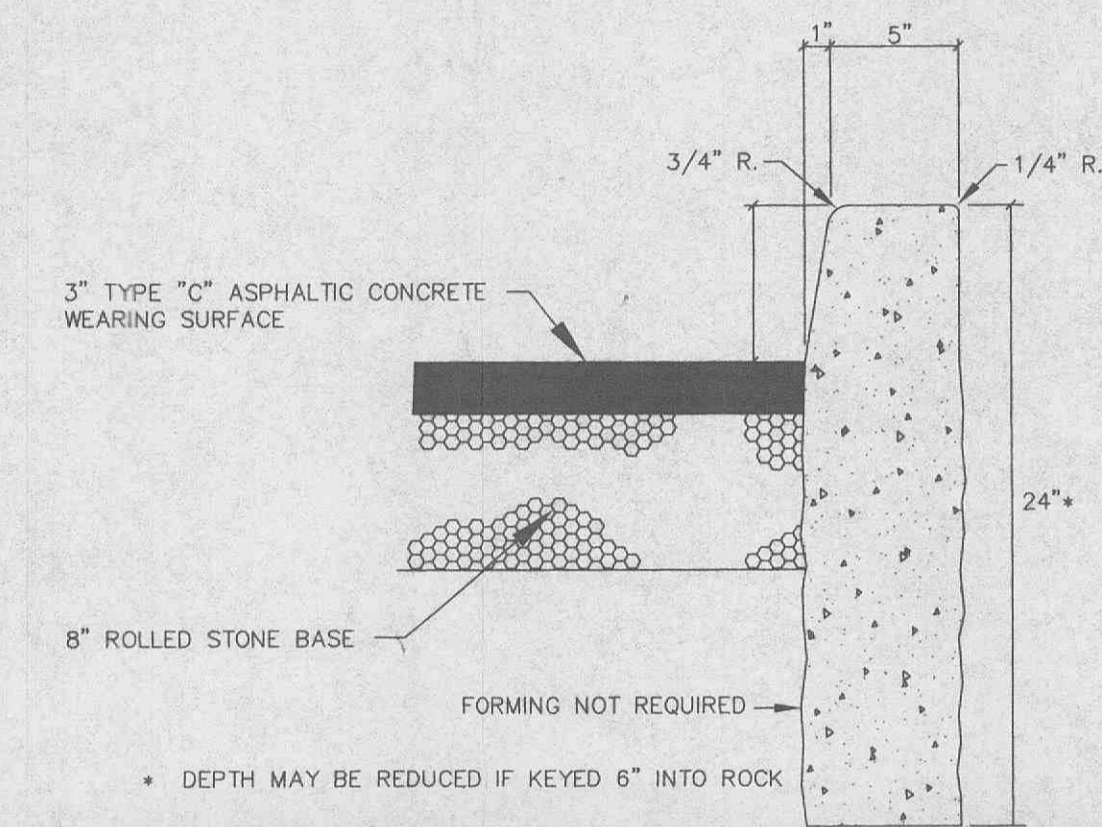


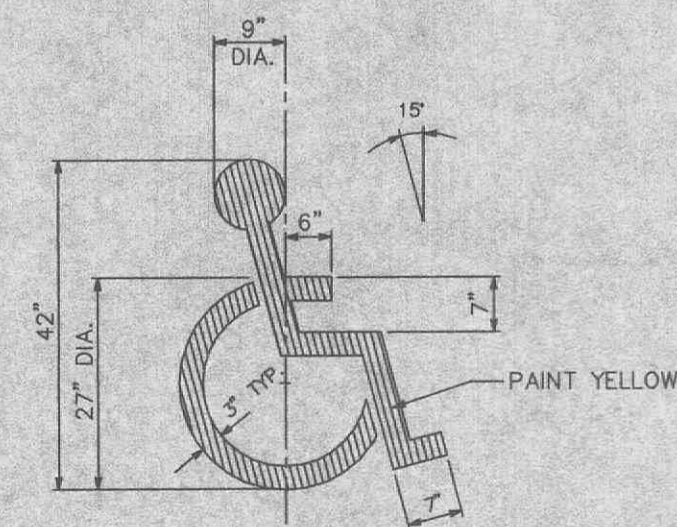
TEMPORARY STORM SEWER PROFILE
 VERTICAL SCALE: 1"=10'
 HORIZONTAL SCALE: 1"=20'



LIGHT POLE & BASE
 NOT TO SCALE



TYPE "S" CONCRETE CURB
 NOT TO SCALE



PAINTED HANDICAPPED
 PARKING SYMBOL

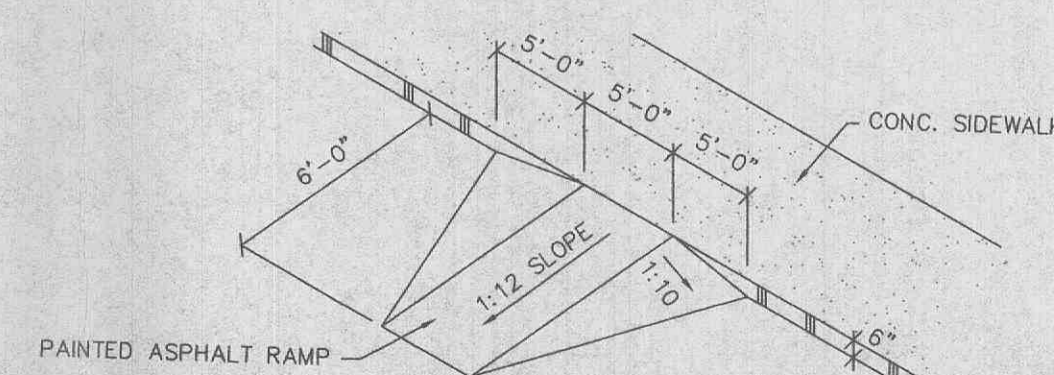
NOT TO SCALE



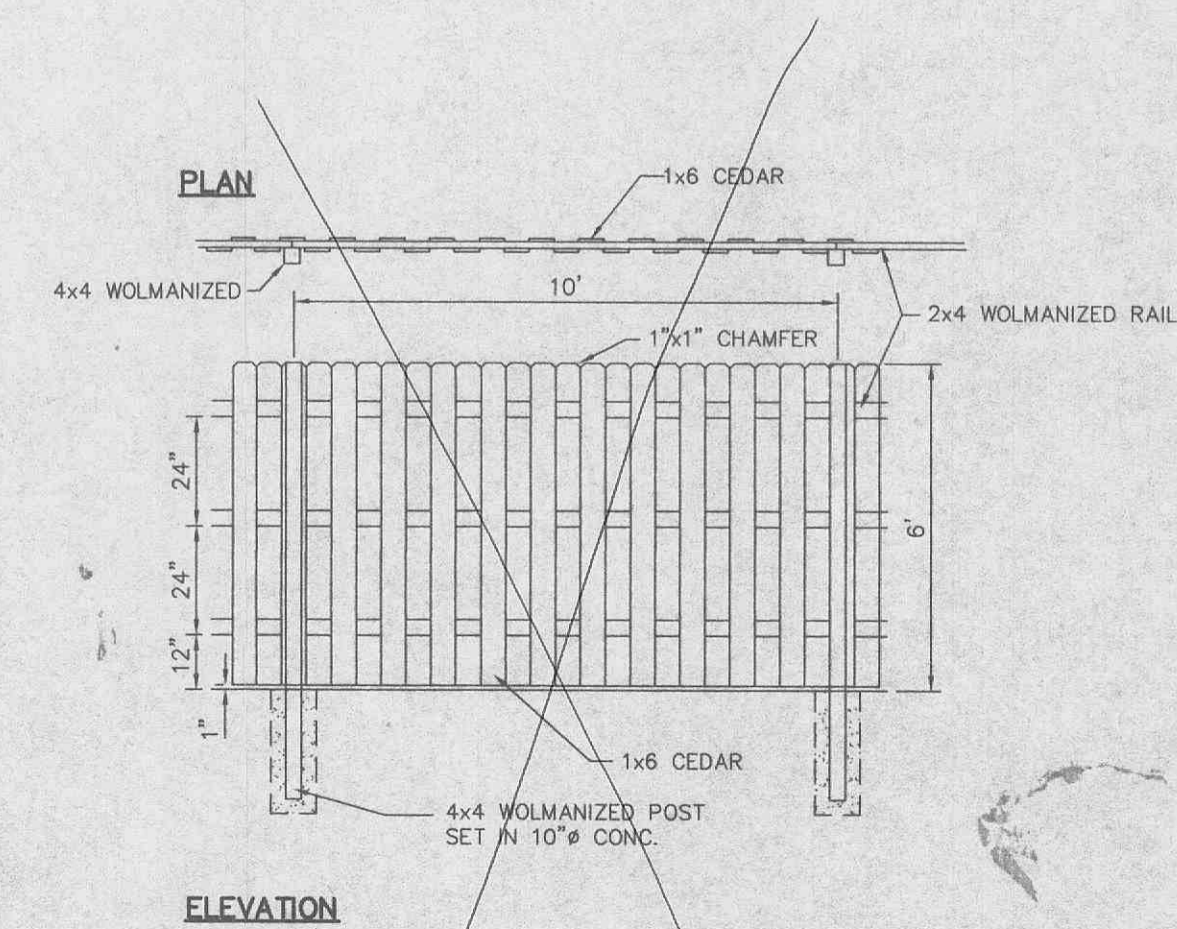
12" X 18" SIGN

STANDARD SIGN FACE, STANDARD HIGHWAY DEPARTMENT, OR CITY STREET DEPARTMENT GAUGE, BLACK OR BLUE LETTERING, GALVANIZED STEEL POST 3'-6" LONG, SET 3'-0" INTO GRADE, SET BOTTOM OF SIGN 5'-0" ABOVE FINISHED GRADE

HANDICAPPED PARKING SIGN
 NOT TO SCALE



HANDICAPPED RAMP DETAIL
 NOT TO SCALE



SCREEN FENCE DETAIL
 NOT TO SCALE

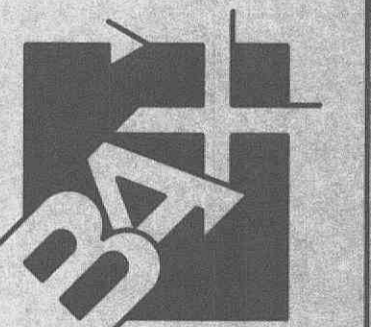
PREPARED FOR: McKELVEY PROPERTIES
 1811 SHERMAN DRIVE, SUITE 9
 ST. CHARLES, MISSOURI 63303
 (314)946-9771

DISCLAIMER OF RESPONSIBILITY
 I hereby specify that the documents intended to be authenticated by my seal are limited to this sheet, and I hereby disclaim any responsibility for all other drawings, specifications, estimates, reports or other documents or instruments relating to or intended to be used for any part or parts of the architectural or engineering project or survey.

Copyright 1997
 Box Engineering Company, Inc.
 All Rights Reserved

REVISIONS

NO.	DATE	DESCRIPTION



ENGINEERING
 PLANNING
 SURVEYING

1052 South Cloverleaf Drive
 St. Peters, MO. 63376-6445
 314-928-5552
 FAX 928-1718

9-11-97
 DATE
 97-9351
 PROJECT NUMBER
 3 OF 3
 SHEET OF
 9351CON.DWG
 FILE NAME
 GJD RLF
 DRAWN CHECKED

\\Bax\drive\dwg\9351CON.DWG 9351CON.DWG Wed Aug 18 08:55:37 1999 station 36.BWG