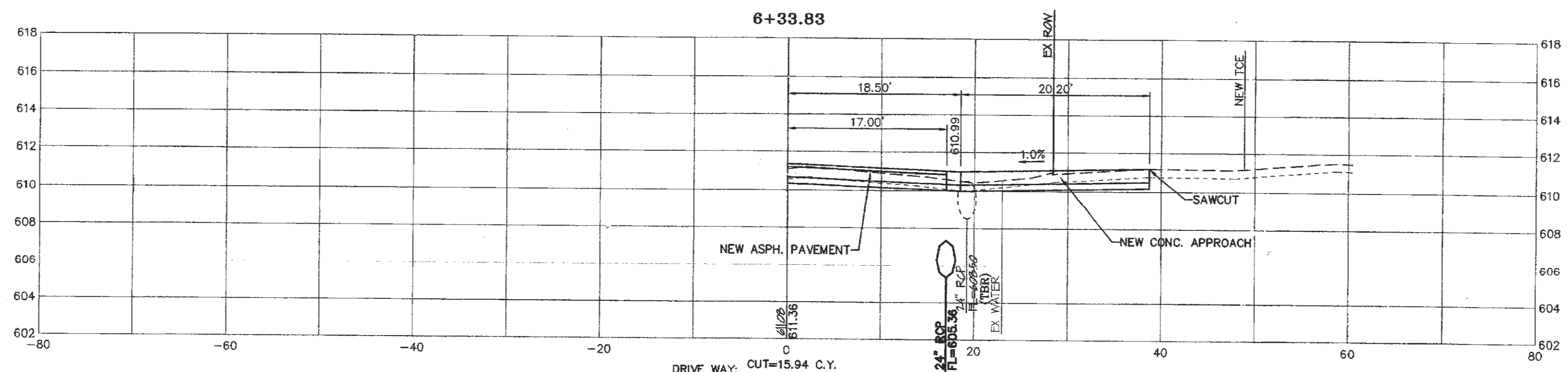
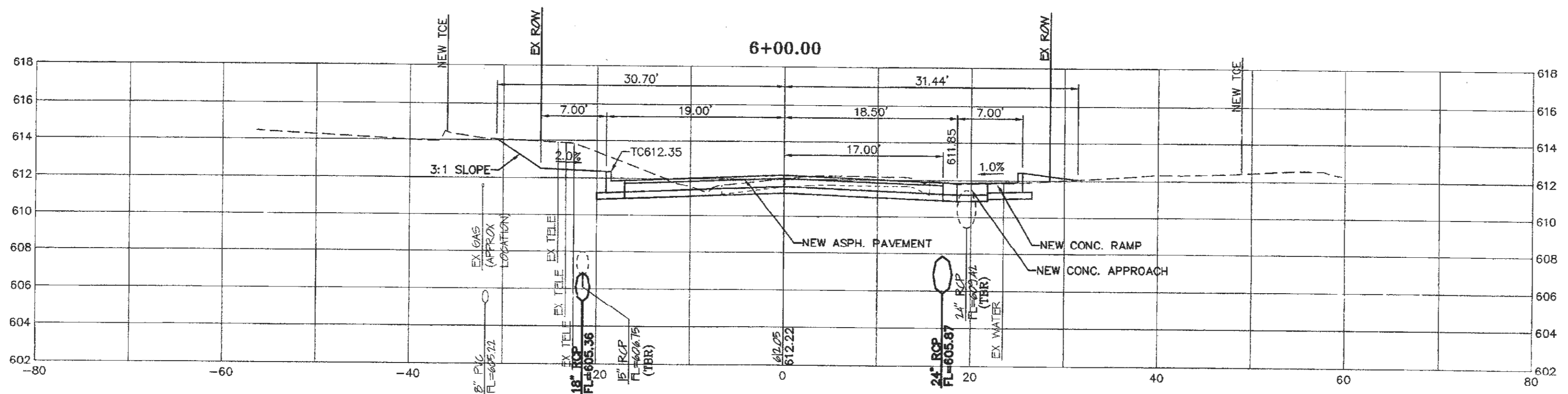


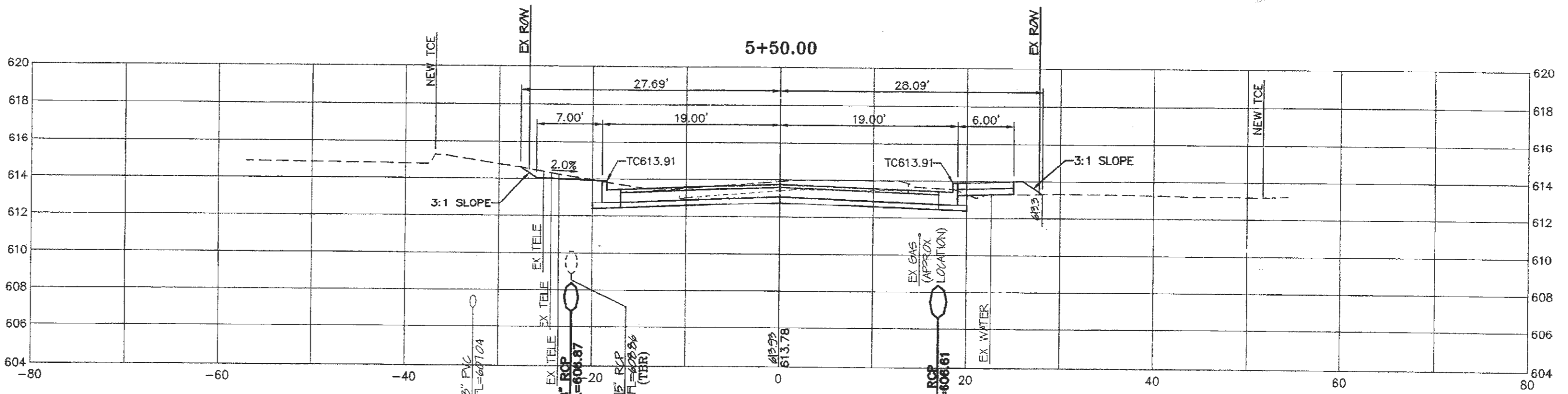
CUT=76.59 C.Y.
FILL=1.66 C.Y.



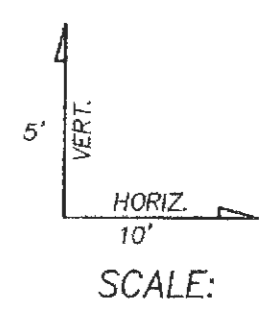
DRIVE WAY: CUT=15.94 C.Y.
FILL=0 C.Y.



CUT=75.20 C.Y.
FILL=3.42 C.Y.



CUT=65.09 C.Y.
FILL=6.85 C.Y.



Scott O. Kolkmeier
CIVIL ENGINEER
MO 024744
Copyright 2014
Bax Engineering Company, Inc.
Authority No. 000855
All Rights Reserved

DATE	BY	DESCRIPTION	DATE	BY	DESCRIPTION
6-27-13	ERB	REVISED PER CITY COMMENTS	3-13-14	ERB	REVISED PER MODOT & CITY COMMENTS
7-17-13	ERB	REVISED PER CITY COMMENTS	5-20-14	ERB	REVISED PER RAILROAD COMMENTS
9-24-13	ERB	REVISED PER MODOT & CITY COMMENTS			

BAX ENGINEERING CO., INC.
221 Point West Blvd.
St. Charles, MO 63301
Phone: 636-928-5552
Fax: 636-938-1718

PREPARED FOR:
CITY OF O'FALLON

PROJECT NAME:
ELAINE DRIVE IMPROVEMENTS
PROJECT NO.: 10-13142 DATE: 5/20/2014

CROSS SECTIONS

DISCLAIMER OF RESPONSIBILITY
I hereby disclaim any responsibility for all other drawings, specifications, estimates, reports or other documents or instruments relating to or intended to be used for any part or parts of the architectural or engineering project or survey other than those authenticated by my seal.