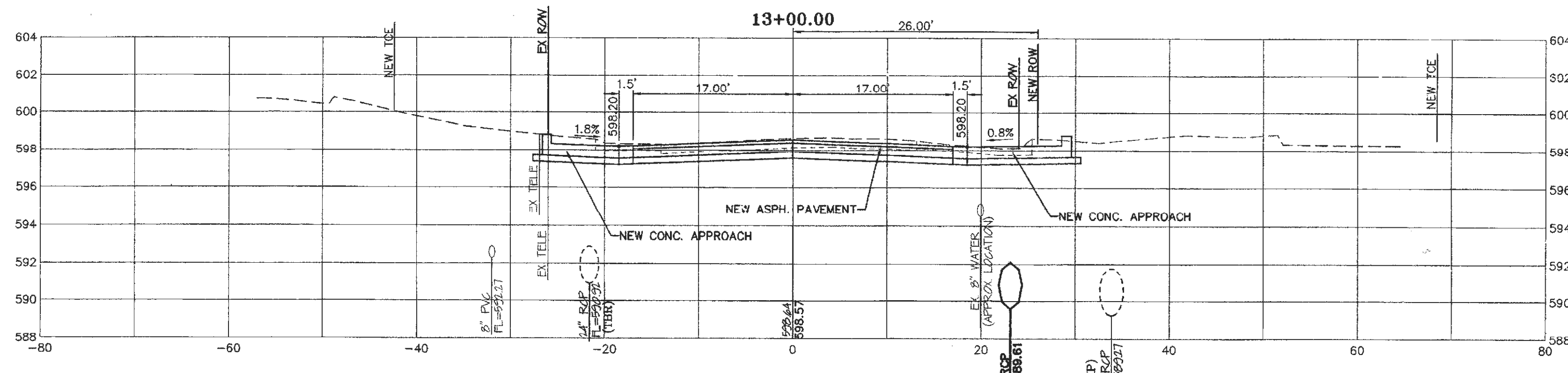
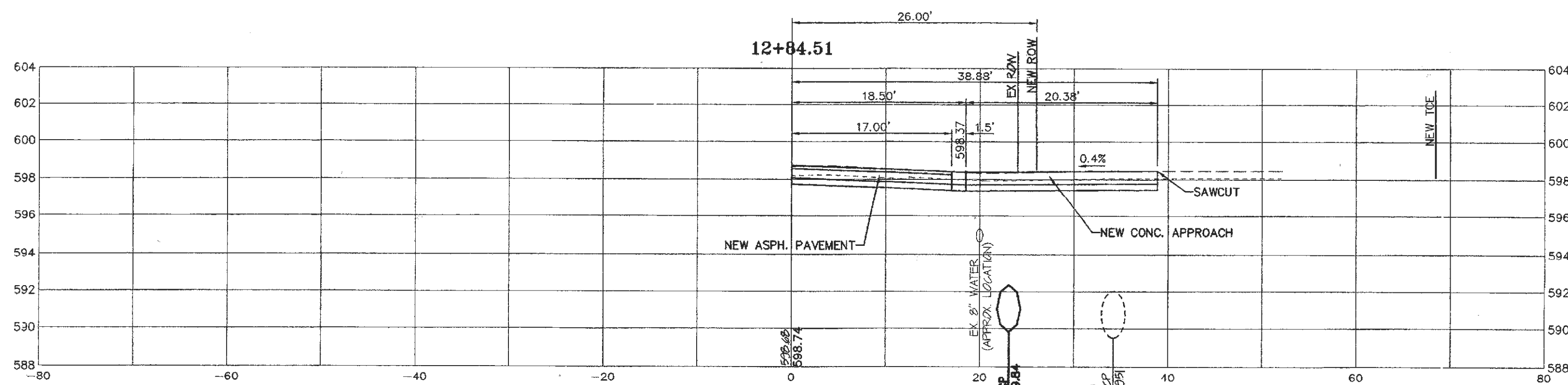


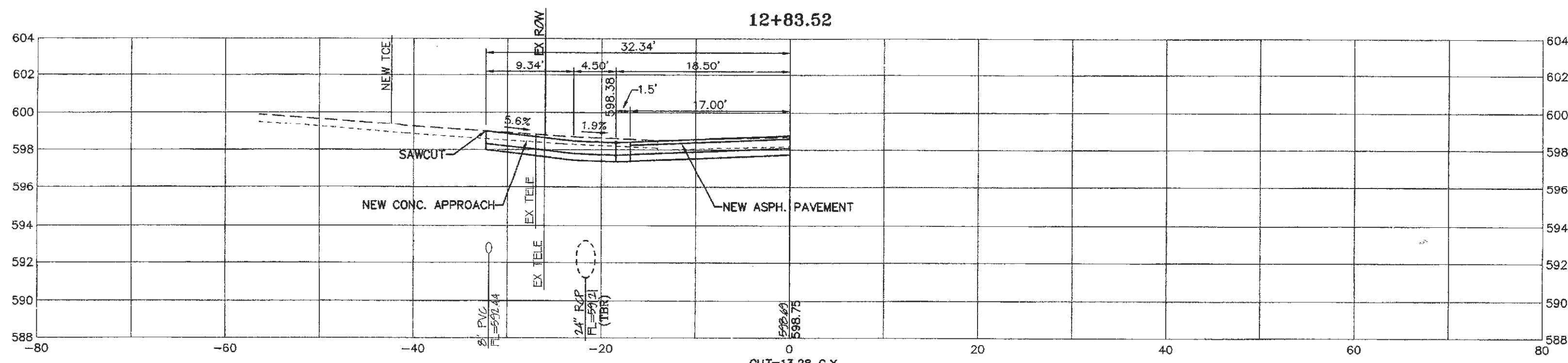
CUT=87.48 C.Y.  
FILL=11.35 C.Y.



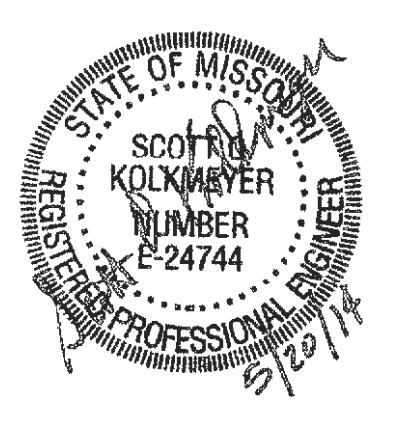
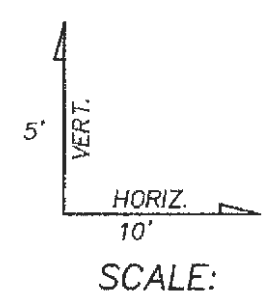
CUT=49.21 C.Y.  
FILL=47.31 C.Y.



DRIVE WAY: CUT=16.89 C.Y.  
FILL=0 C.Y.



DRIVE WAY: CUT=13.28 C.Y.  
FILL=0 C.Y.



Scott O. Kolkmeier  
CIVIL ENGINEER  
MO 024744  
Copyright 2014  
Box Engineering Company, Inc.  
Authority No. 000655  
All Rights Reserved

REVISIONS					
DATE	BY	DESCRIPTION	DATE	BY	DESCRIPTION
6-27-13	ERB	REVISED PER CITY COMMENTS	3-13-14	ERB	REVISED PER MODOT & CITY COMMENTS
7-17-13	ERB	REVISED PER CITY COMMENTS	5-20-14	ERB	REVISED PER RAILROAD COMMENTS
9-24-13	ERB	REVISED PER MODOT & CITY COMMENTS			

**BAX ENGINEERING CO., INC.**  
221 Point West Blvd.  
St. Charles, MO 63301  
Phone: 636-928-5562  
Fax: 636-928-1718

PREPARED FOR:  
**CITY OF O'FALLON**

PROJECT NAME:  
**ELAINE DRIVE IMPROVEMENTS**  
PROJECT NO.: 10-15142 DATE: 5/20/2014

**CROSS SECTIONS**

DISCLAIMER OF RESPONSIBILITY  
I hereby disclaim any responsibility for all other drawings, specifications, estimates, reports or other documents or instruments relating to or intended to be used for any part or parts of the architectural or engineering project or survey other than those authenticated by my seal.