

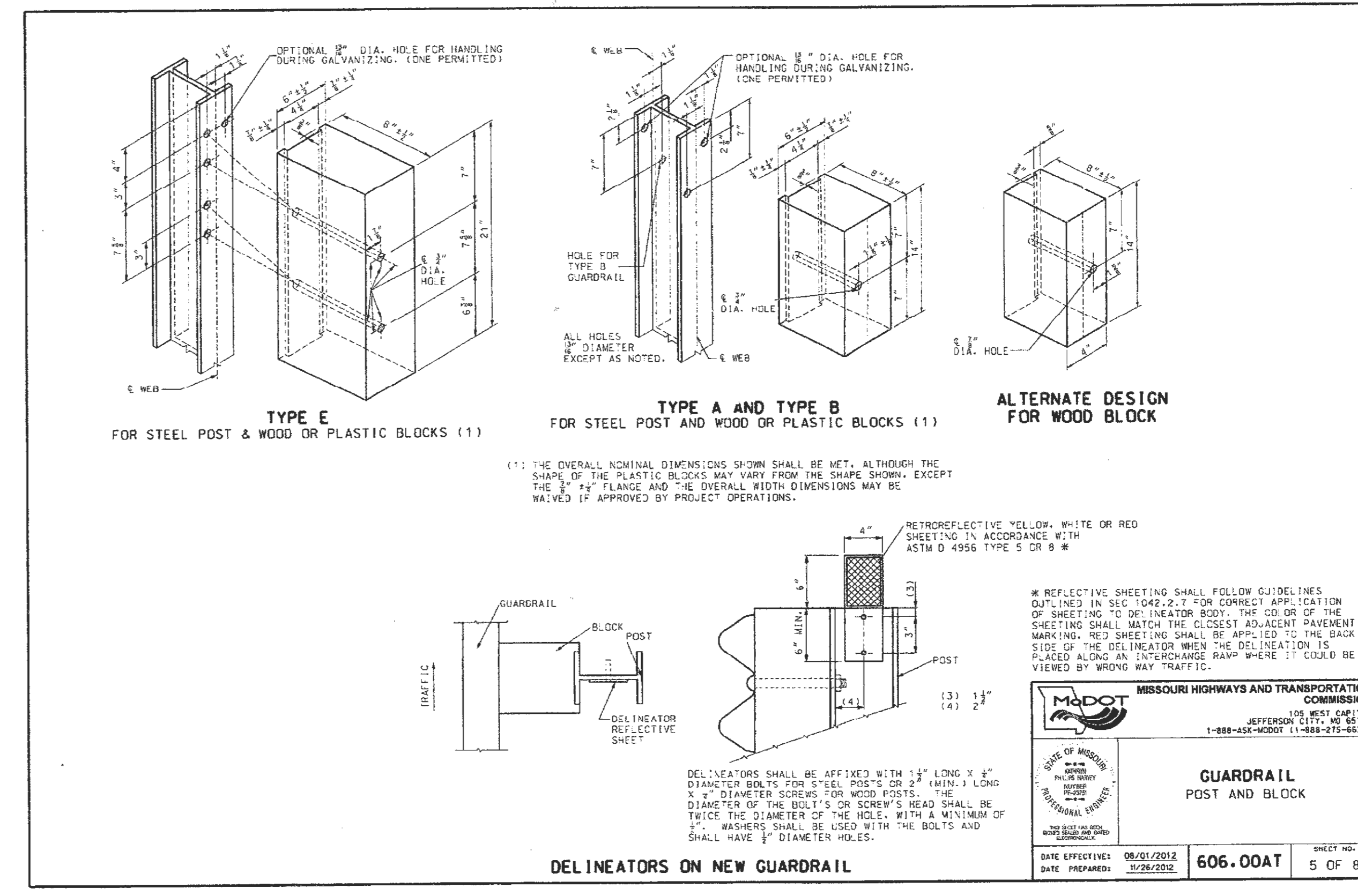
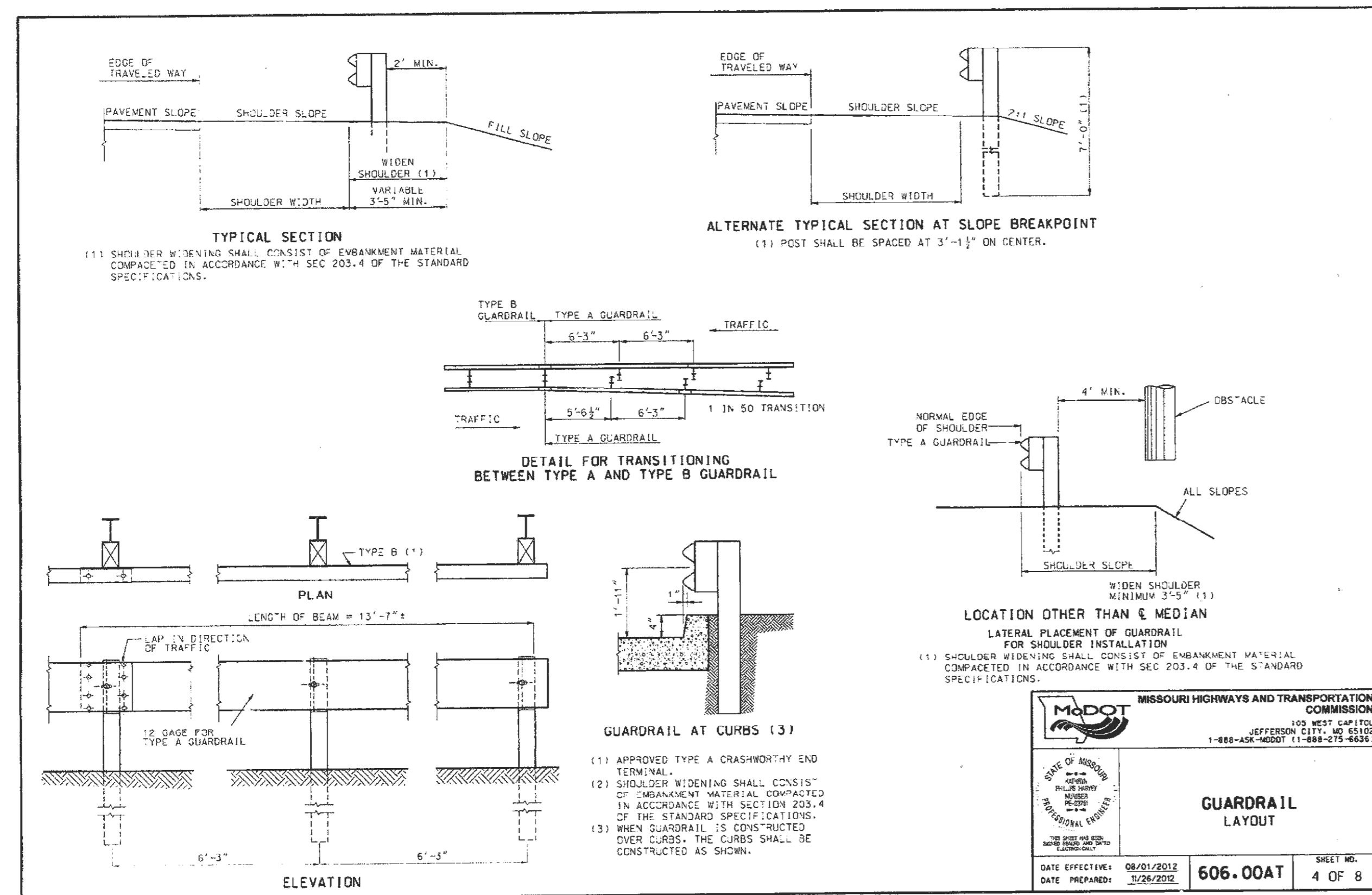
MISSOURI HIGHWAYS AND TRANSPORTATION COMMISSION
 100 WEST CAPITOL
 JEFFERSON CITY, MO 65102
 1-888-684-MODOT (1-888-684-6637)

GUARDRAIL
 TYPE A AND TYPE B

DATE EFFECTIVE: 08/01/2012
 DATE PREPARED: 5/26/2012

606.00AT

SHEET NO.
 1 OF 8



DATE		BY		REVISIONS DESCRIPTION	

BAX ENGINEERING CO., INC.
 221 Point West Blvd.
 St. Charles, MO 63301
 Phone: 636-928-5552
 Fax: 636-928-1718

PREPARED FOR:
CITY OF O'FALLON

PROJECT NAME:
ELAINE DRIVE IMPROVEMENTS

PROJECT NO.: 10-1314Z DATE: 5/20/2014

REFERENCE DETAILS