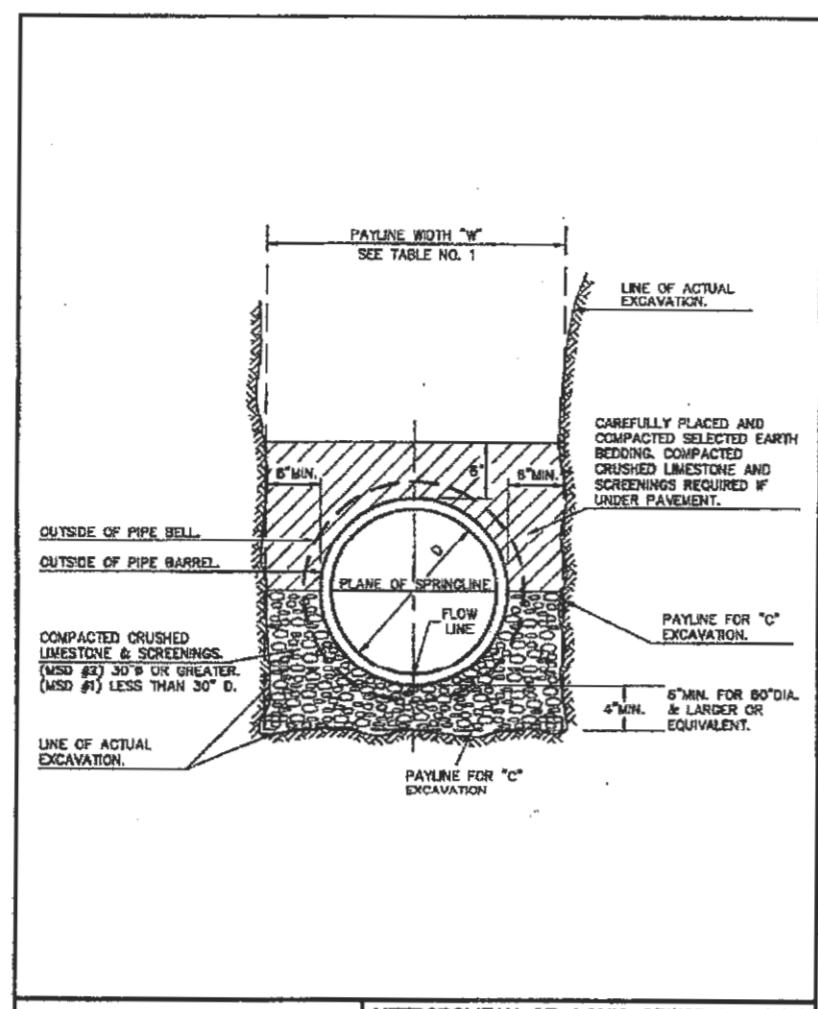


ROUND PIPE				HORIZONTAL ELLIPTICAL PIPE			
INSET DIAMETER OF PIPE (INCHES)	PAVING WIDTH OF TRENCH (INCHES)	PAVING WIDTH OF TRENCH (FEET)	PAVING WIDTH OF TRENCH (FEET)	INSET DIMENSIONS OF PIPE (INCHES)	PAVING WIDTH OF TRENCH (INCHES)	PAVING WIDTH OF TRENCH (FEET)	PAVING WIDTH OF TRENCH (FEET)
4	30	2.50	3.28				
6	30	2.50	3.28				
8	30	2.50	3.28				
10	30	2.50	3.28				
12	30	2.50	3.28				
15	36	3.00	3.85				
18	36	3.00	3.85	14 x 23	41	3.42	5.24
21	39	3.25	4.11				
24	42	3.50	4.38	19 x 30	49	4.03	5.84
27	45	3.75	4.65	22 x 34	53	4.42	6.41
30	48	4.00	4.92	24 x 38	58	4.83	6.97
33	51	4.25	5.19	27 x 42	62	5.27	7.52
36	54	4.50	5.46	29 x 46	66	5.70	8.07
39	57	4.75	5.73	31 x 50	71	6.14	8.62
42	60	5.00	6.00	32 x 53	75	6.60	9.17
45	63	5.25	6.27	34 x 57	80	7.07	9.72
48	66	5.50	6.54	35 x 60	83	7.55	10.27
51	69	5.75	6.81	37 x 64	88	8.03	10.82
54	72	6.00	7.08	38 x 67	91	8.53	11.37
57	75	6.25	7.35	40 x 71	96	9.02	11.92
60	78	6.50	7.62	41 x 74	100	9.53	12.47
63	81	6.75	7.89	42 x 77	104	10.05	13.02
66	84	7.00	8.16	43 x 80	108	10.58	13.57
69	87	7.25	8.43	44 x 83	112	11.12	14.12
72	90	7.50	8.70	45 x 86	116	11.67	14.67
75	93	7.75	8.97	46 x 89	120	12.23	15.22
78	96	8.00	9.24	47 x 92	124	12.80	15.77
81	99	8.25	9.51	48 x 95	128	13.38	16.32
84	102	8.50	9.78	49 x 98	132	13.97	16.87
87	105	8.75	10.05	50 x 101	136	14.57	17.42
90	108	9.00	10.32	51 x 104	140	15.18	17.97
93	111	9.25	10.59	52 x 107	144	15.80	18.52
96	114	9.50	10.86	53 x 110	148	16.43	19.07
99	117	9.75	11.13	54 x 113	152	17.07	19.62
102	120	10.00	11.40	55 x 116	156	17.72	20.17
105	123	10.25	11.67	56 x 119	160	18.38	20.72
108	126	10.50	11.94	57 x 122	164	19.05	21.27
111	129	10.75	12.21	58 x 125	168	19.73	21.82
114	132	11.00	12.48	59 x 128	172	20.42	22.37
117	135	11.25	12.75	60 x 131	176	21.12	22.92
120	138	11.50	13.02	61 x 134	180	21.83	23.47
123	141	11.75	13.29	62 x 137	184	22.55	24.02
126	144	12.00	13.56	63 x 140	188	23.28	24.57
129	147	12.25	13.83	64 x 143	192	24.02	25.12
132	150	12.50	14.10	65 x 146	196	24.77	25.67
135	153	12.75	14.37	66 x 149	200	25.53	26.22
138	156	13.00	14.64	67 x 152	204	26.30	26.77
141	159	13.25	14.91	68 x 155	208	27.08	27.32
144	162	13.50	15.18	69 x 158	212	27.87	27.87

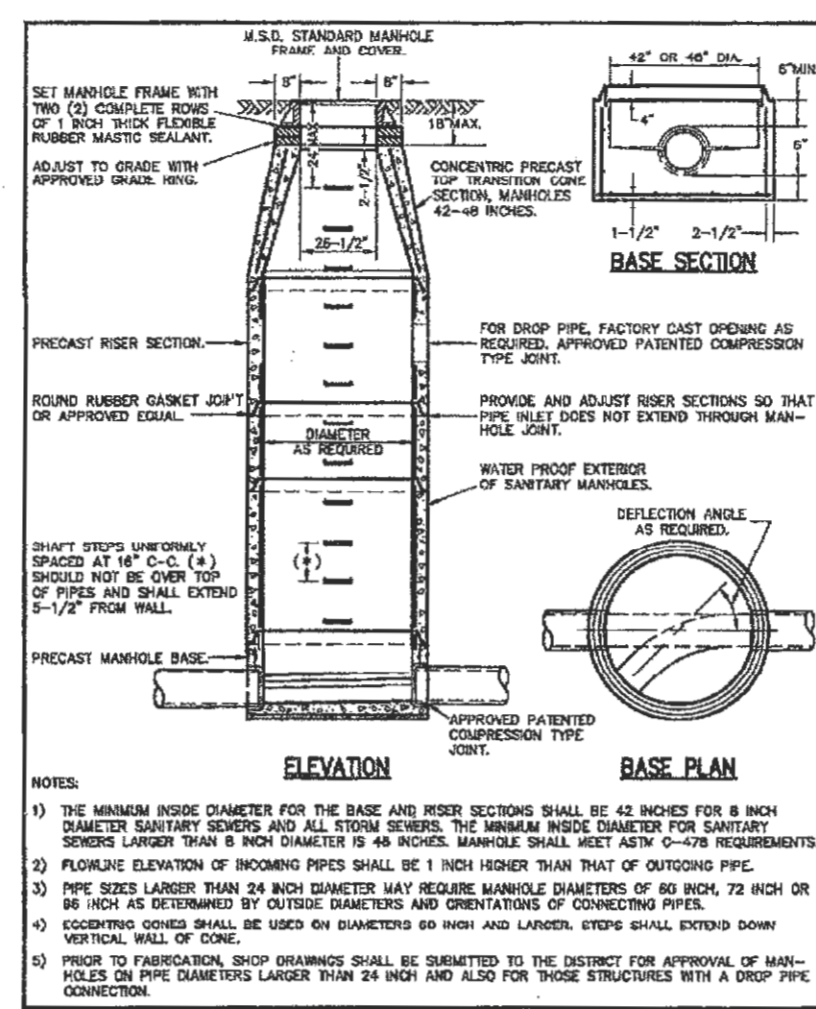
TABLE 1
PAVING WIDTHS OF TRENCH AND PAY-QUANTITIES OF CONCRETE

TABLE 1
PAVING WIDTHS OF TRENCH AND PAY-QUANTITIES OF CONCRETE



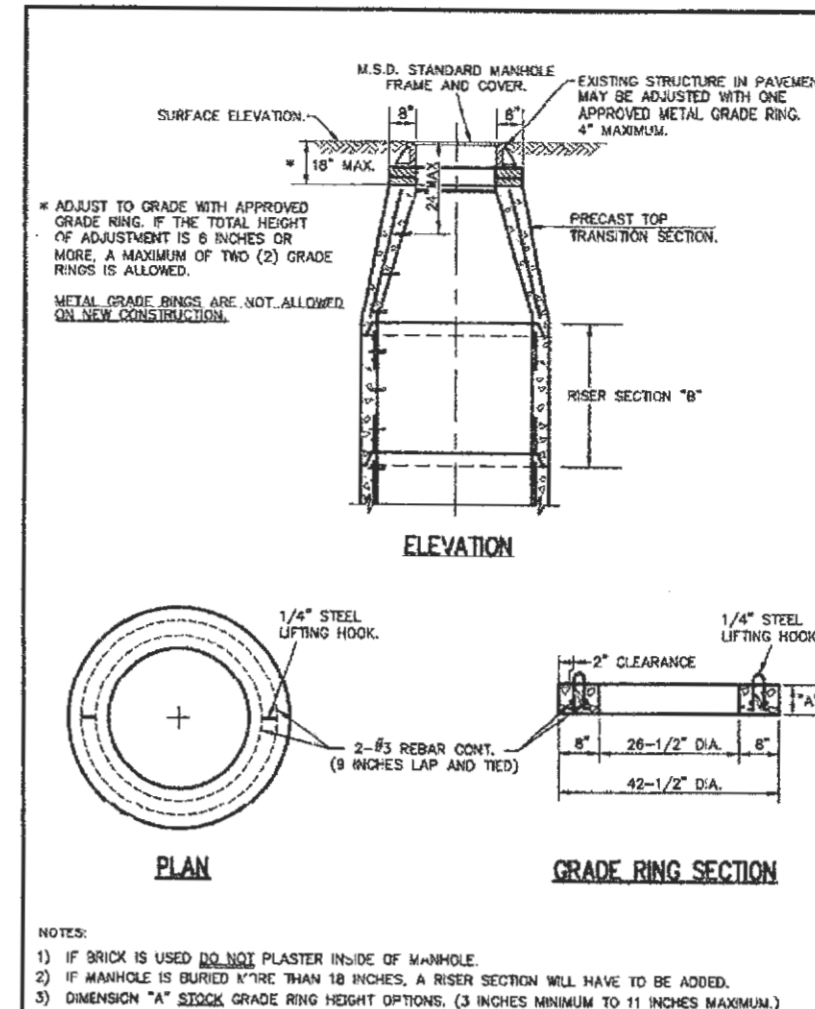
PIPE BEDDING CLASS 10' (MODIFIED FOR REINFORCED CONCRETE PIPE)

TABLE 1
PAVING WIDTHS OF TRENCH AND PAY-QUANTITIES OF CONCRETE



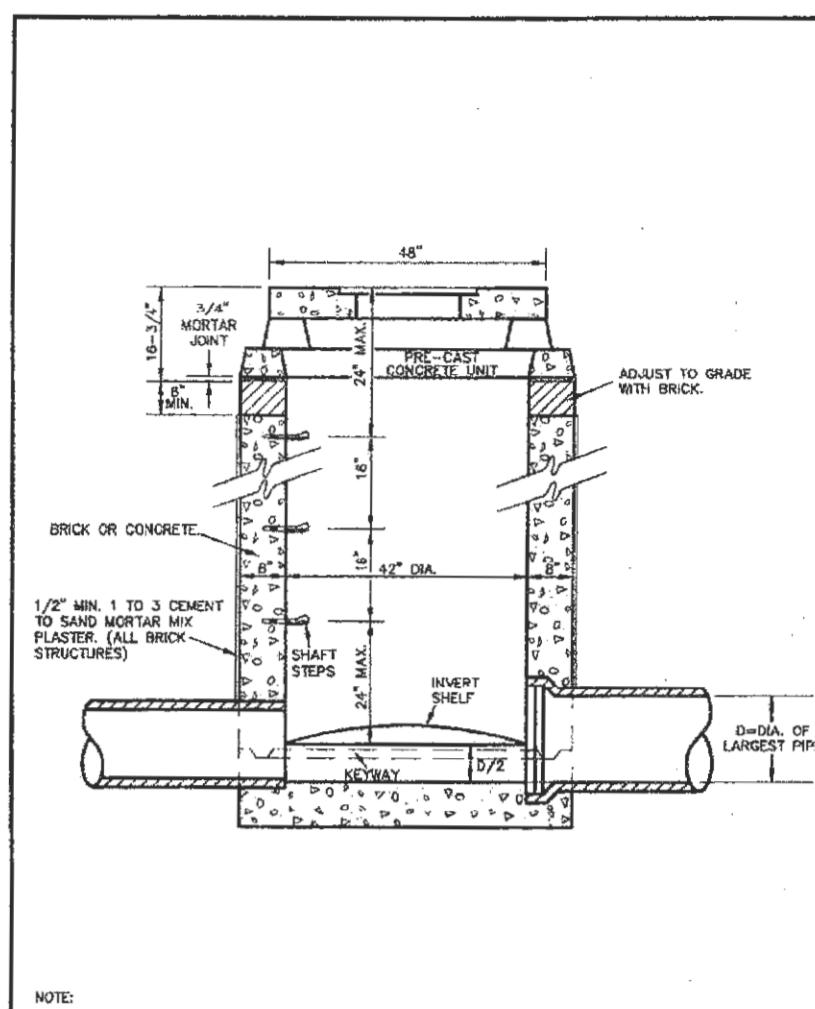
PRECAST CONCRETE MANHOLE

TABLE 1
PAVING WIDTHS OF TRENCH AND PAY-QUANTITIES OF CONCRETE



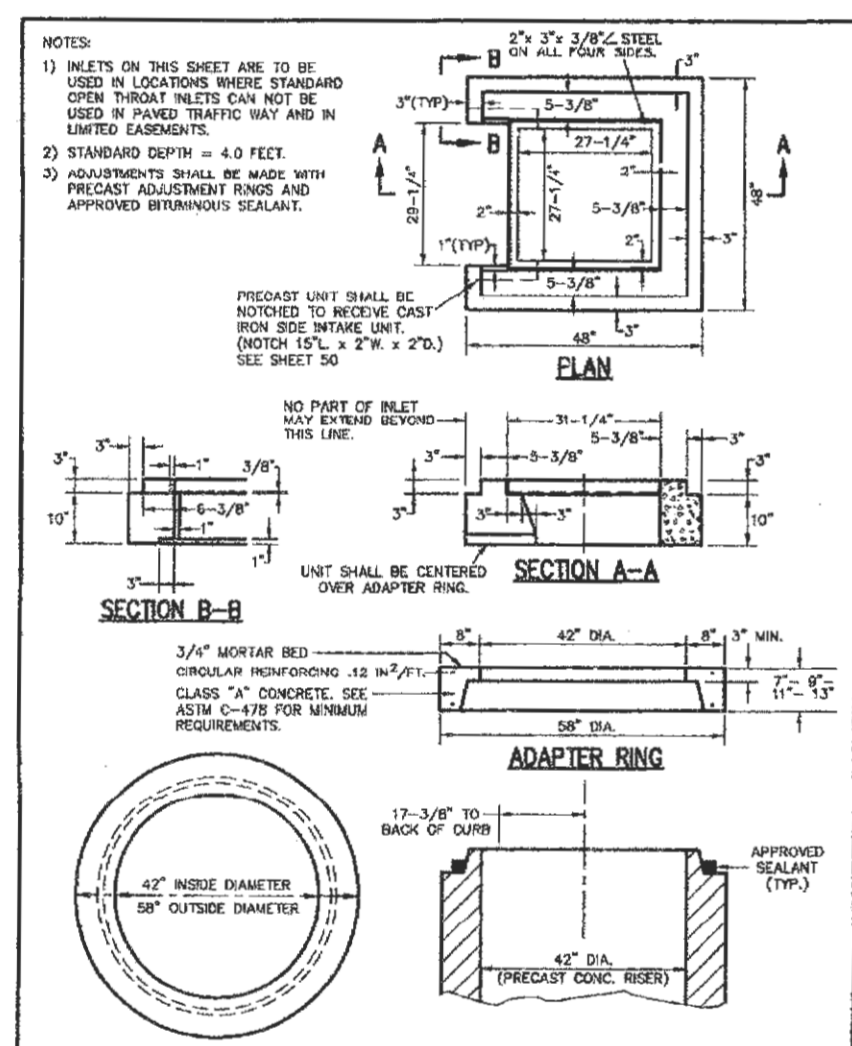
ADJUST TO GRADE

TABLE 1
PAVING WIDTHS OF TRENCH AND PAY-QUANTITIES OF CONCRETE



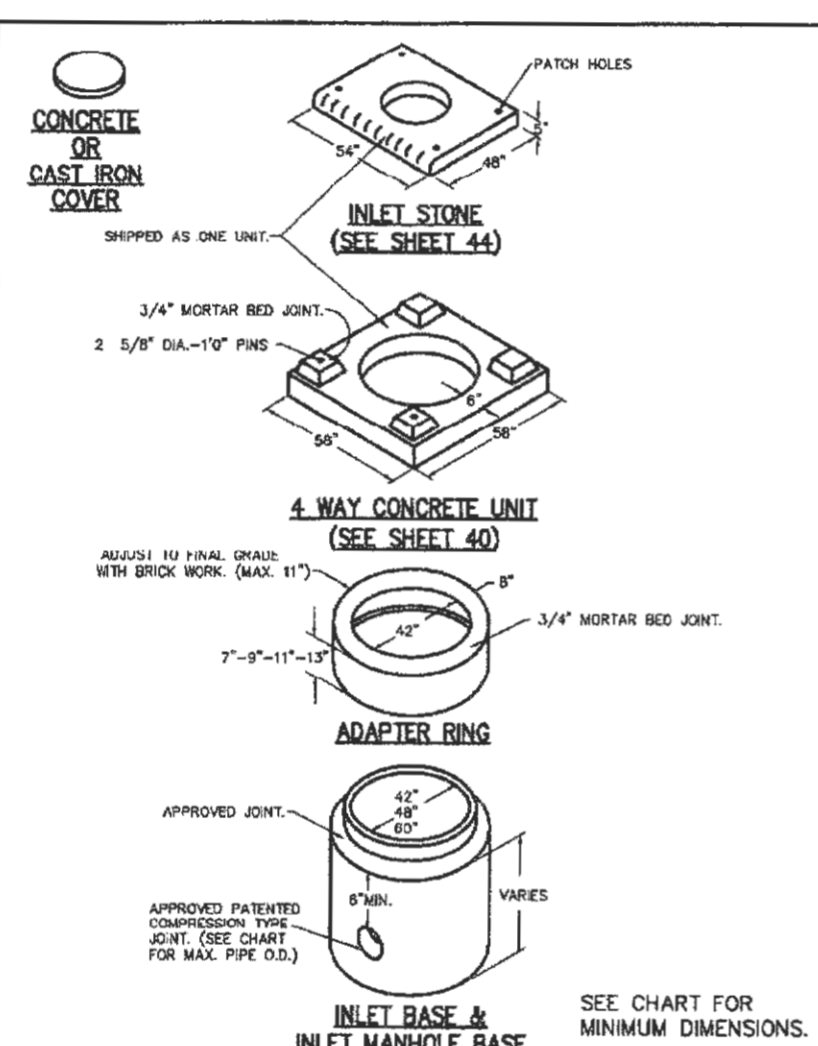
AREA INLET MANHOLE (12" THRU 24")

TABLE 1
PAVING WIDTHS OF TRENCH AND PAY-QUANTITIES OF CONCRETE



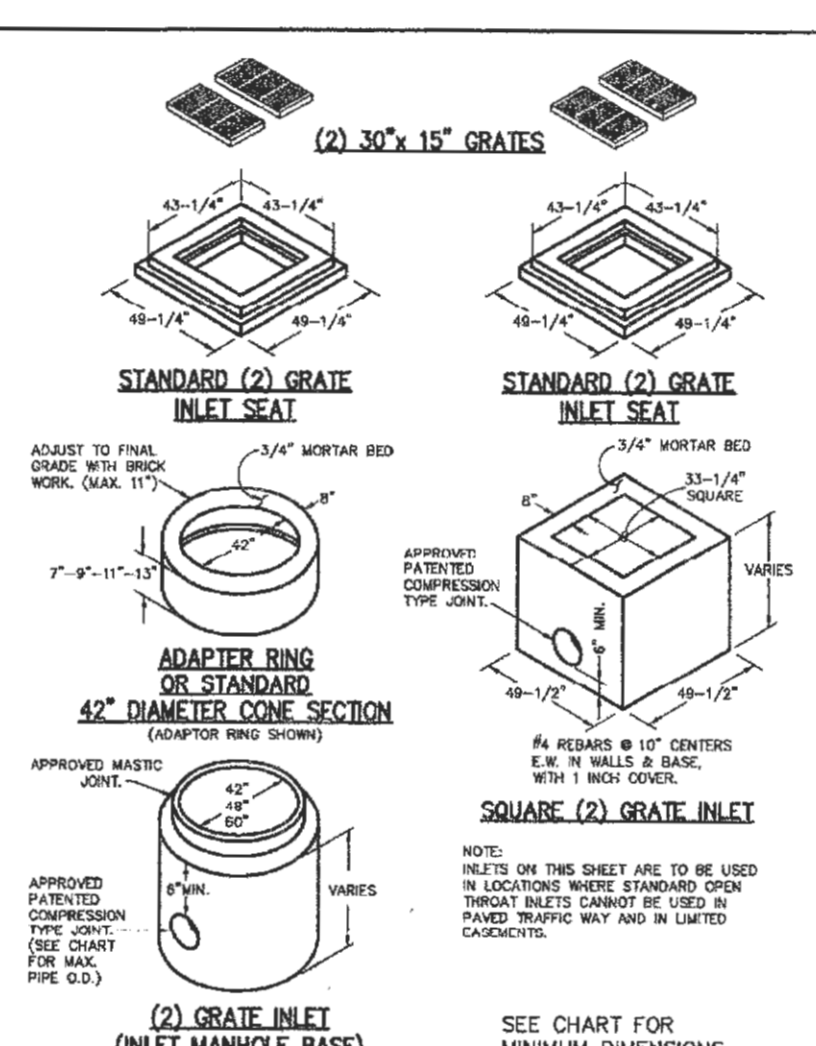
GRATE SEAT FOR 2 GRATE INLET WITH SIDE INTAKE

TABLE 1
PAVING WIDTHS OF TRENCH AND PAY-QUANTITIES OF CONCRETE



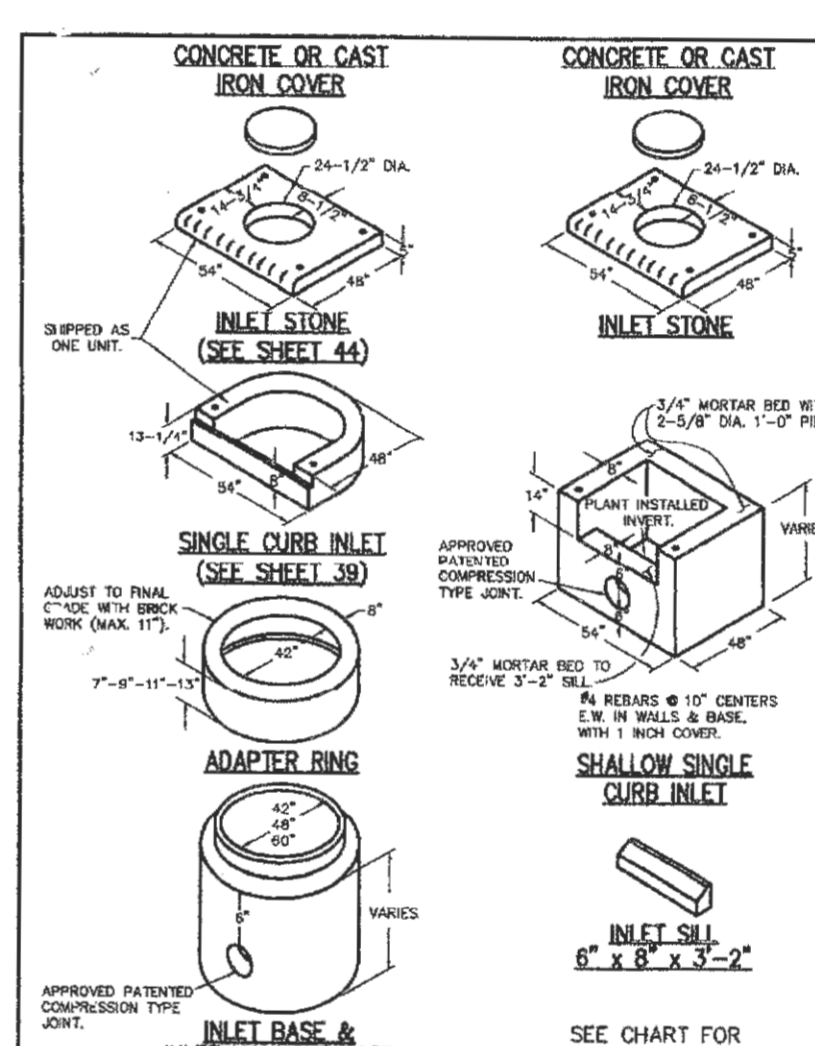
AREA INLET PRECAST CONCRETE

TABLE 1
PAVING WIDTHS OF TRENCH AND PAY-QUANTITIES OF CONCRETE



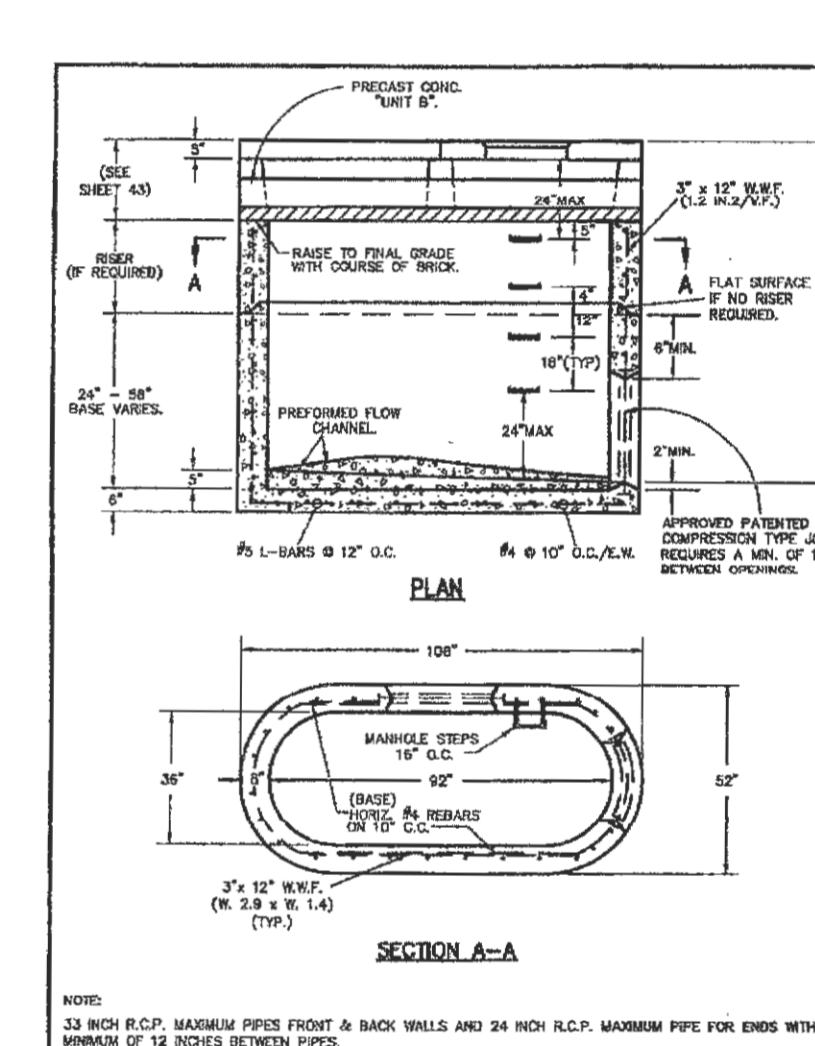
2 GRATE INLETS PRECAST CONCRETE

TABLE 1
PAVING WIDTHS OF TRENCH AND PAY-QUANTITIES OF CONCRETE



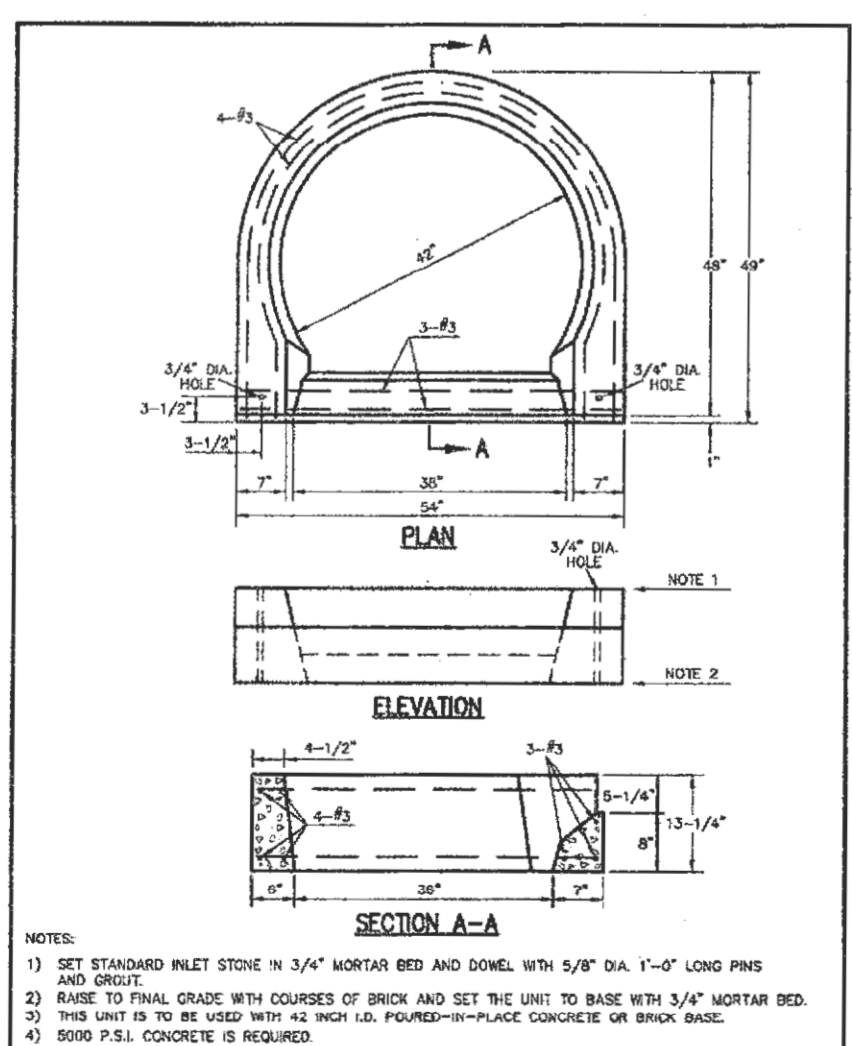
SINGLE STREET INLETS PRECAST CONCRETE

TABLE 1
PAVING WIDTHS OF TRENCH AND PAY-QUANTITIES OF CONCRETE



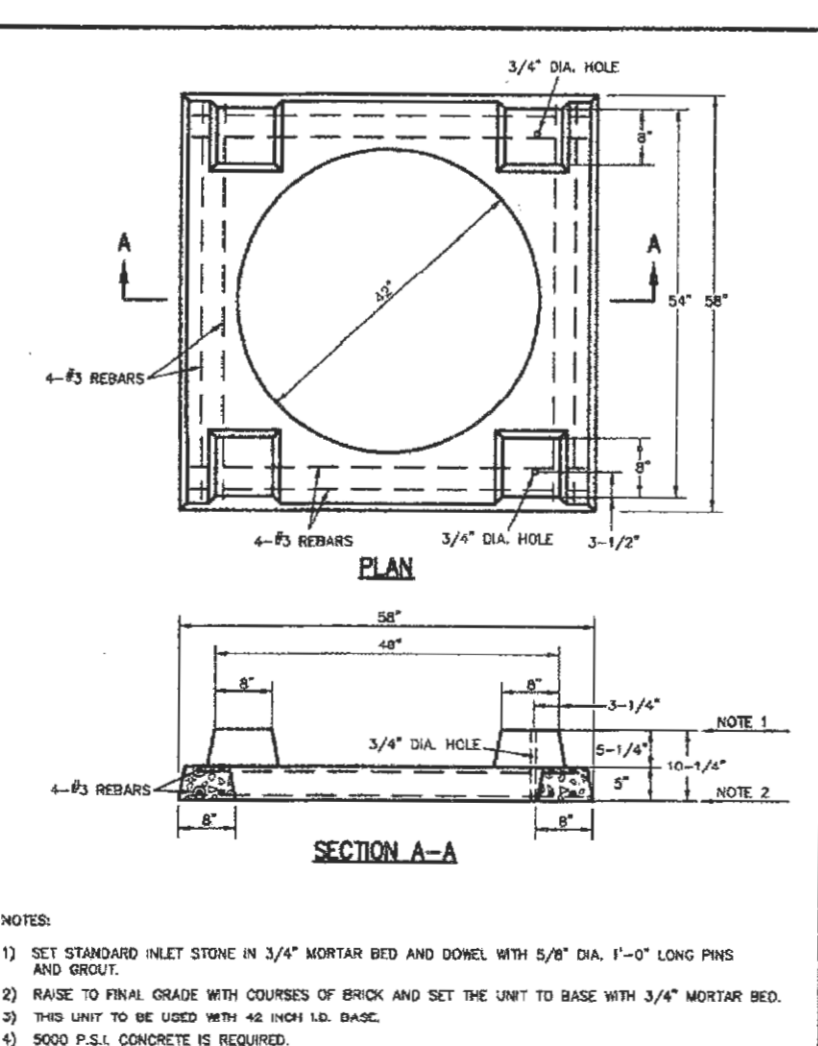
DOUBLE UNTRAPPED STREET INLET PRECAST CONCRETE

TABLE 1
PAVING WIDTHS OF TRENCH AND PAY-QUANTITIES OF CONCRETE



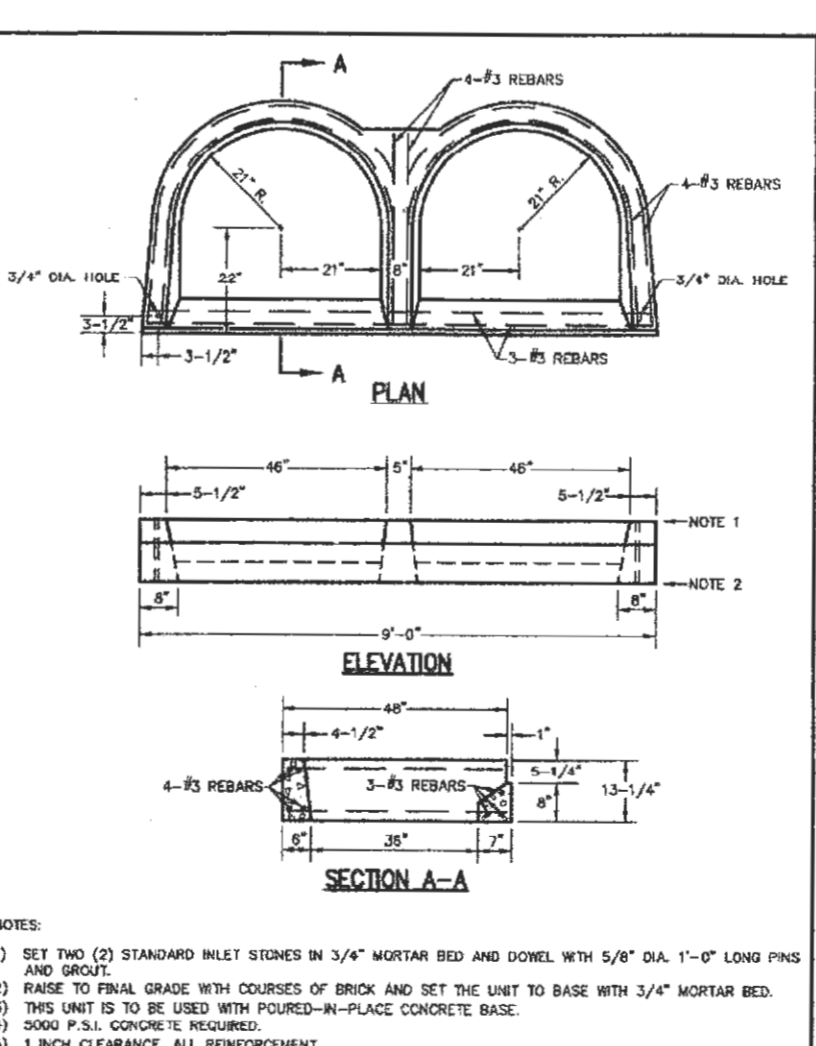
PRECAST CONCRETE UNIT FOR SINGLE STREET INLET

TABLE 1
PAVING WIDTHS OF TRENCH AND PAY-QUANTITIES OF CONCRETE



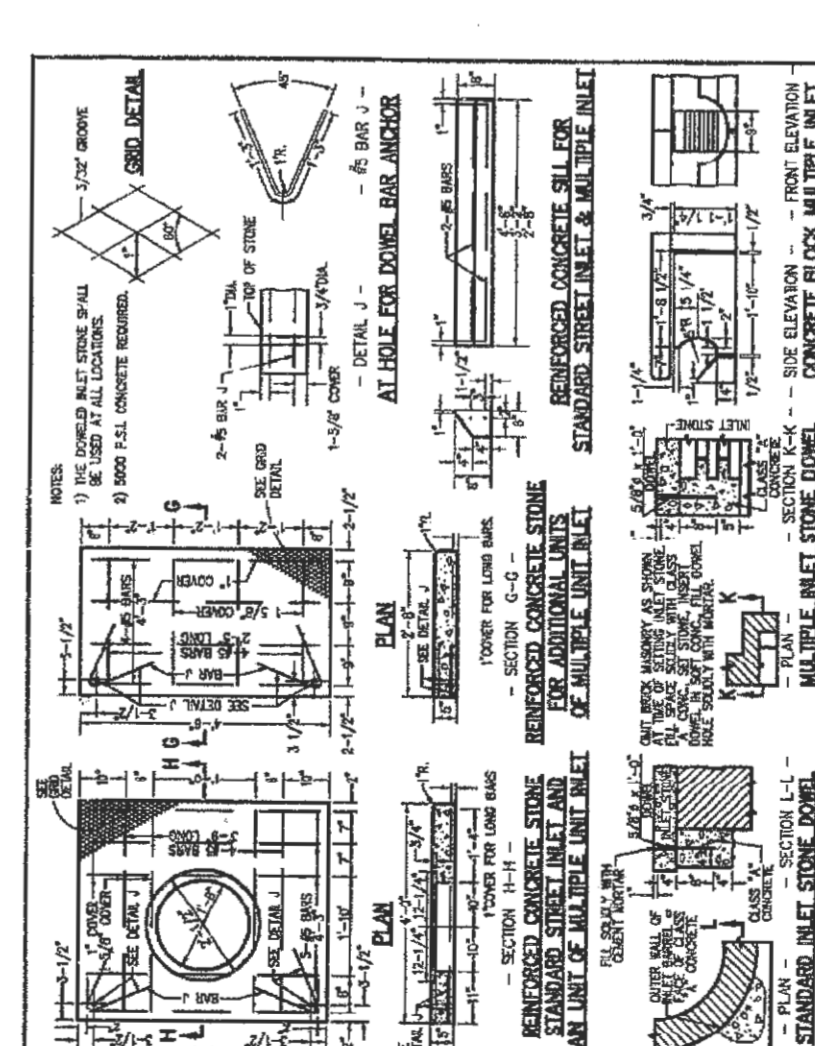
PRECAST CONCRETE UNIT FOR 4 WAY AREA INLET

TABLE 1
PAVING WIDTHS OF TRENCH AND PAY-QUANTITIES OF CONCRETE



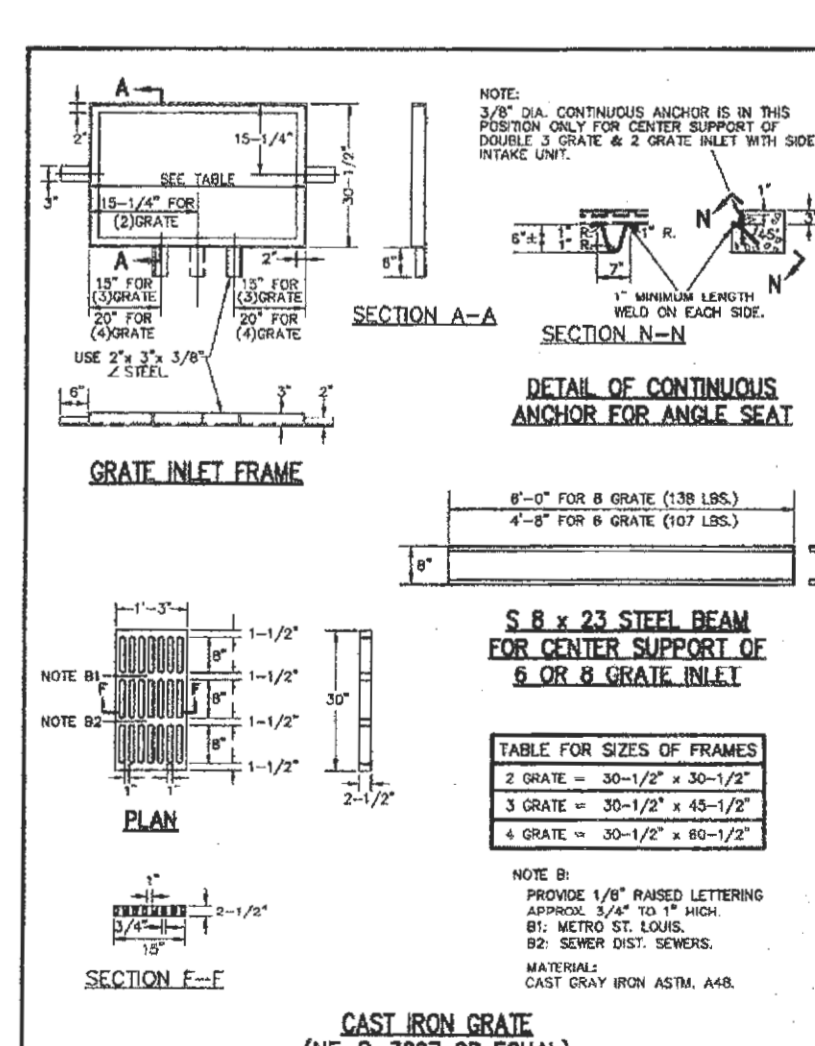
PRECAST CONCRETE UNIT "A" FOR STREET DOUBLE INLET

TABLE 1
PAVING WIDTHS OF TRENCH AND PAY-QUANTITIES OF CONCRETE



STANDARD - INLET STONES, BLOCKS & DESIGN DETAILS

TABLE 1
PAVING WIDTHS OF TRENCH AND PAY-QUANTITIES OF CONCRETE



GRATE INLET FRAME

TABLE 1
PAVING WIDTHS OF TRENCH AND PAY-QUANTITIES OF CONCRETE