

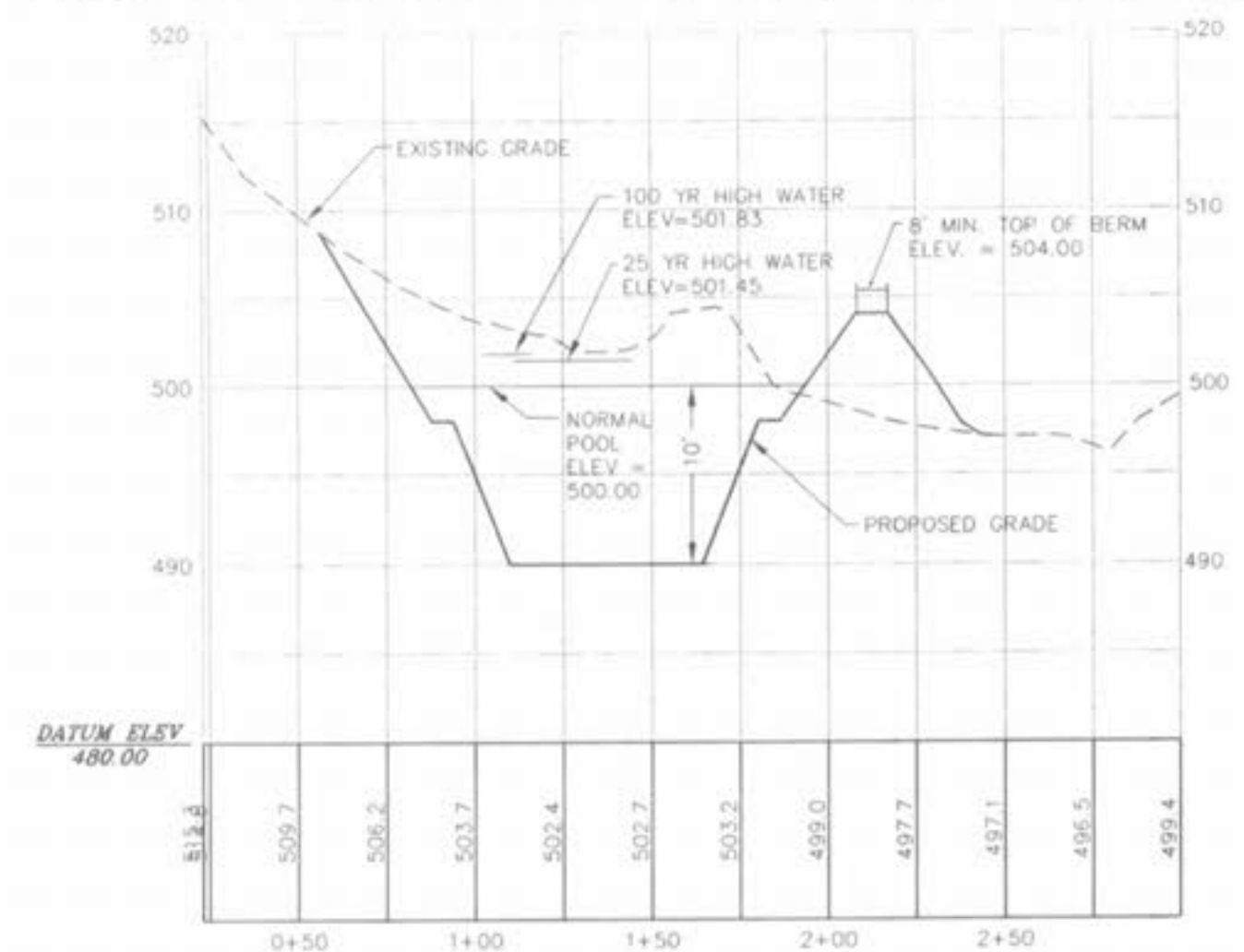
06/24/05	REVISED PER CITY OF O'FALLON COMMENTS
07/27/05	REVISED PER CITY OF O'FALLON COMMENTS

**IMPROVEMENT PLANS
ELK RIDGE
DETENTION PLANS**

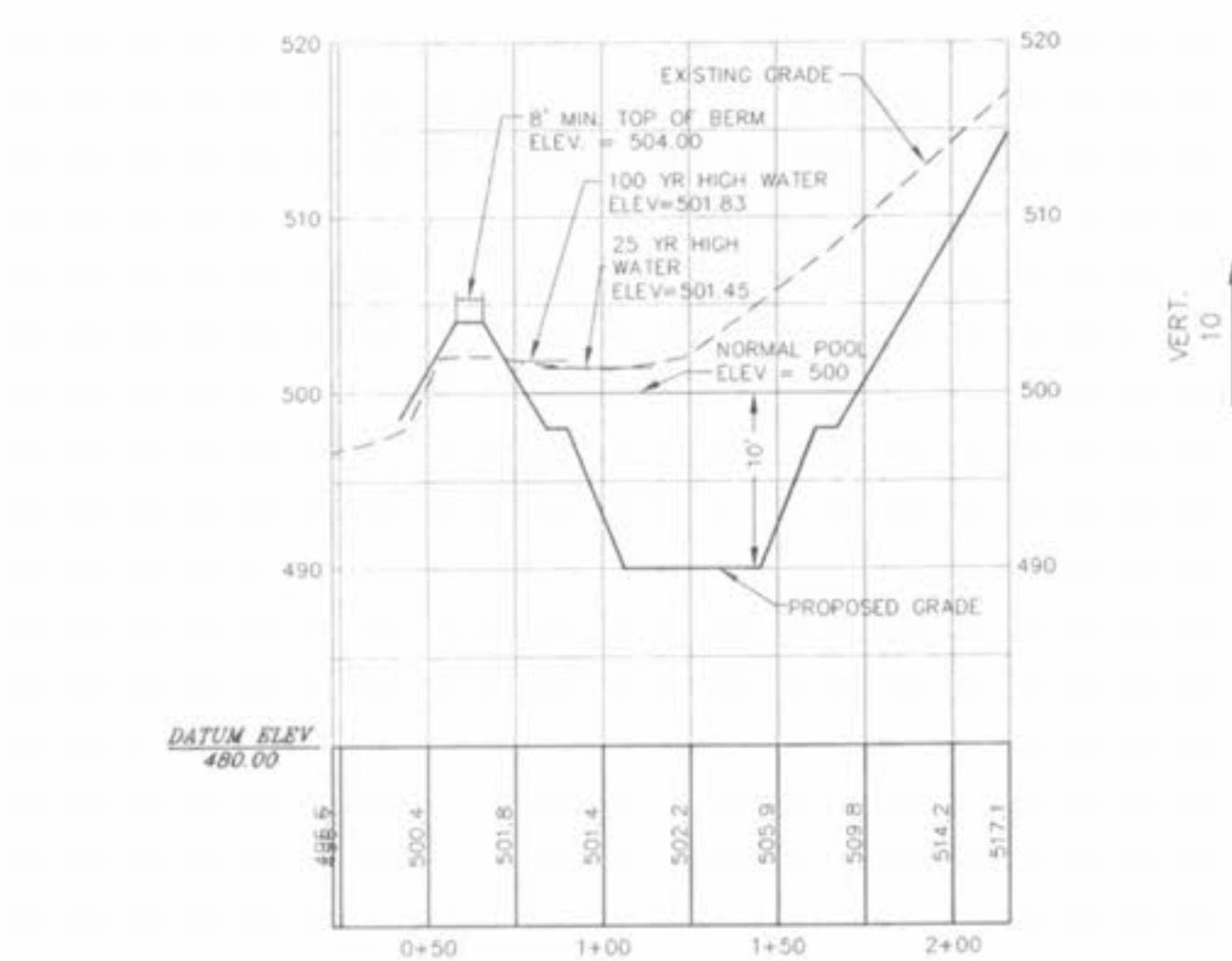
ST. CHARLES ENGINEERING & SURVEYING, INC.
801 S. FIFTH STREET, SUITE 202
ST. CHARLES, MO 63301
TEL: (636) 947-0607 FAX: (636) 947-2448



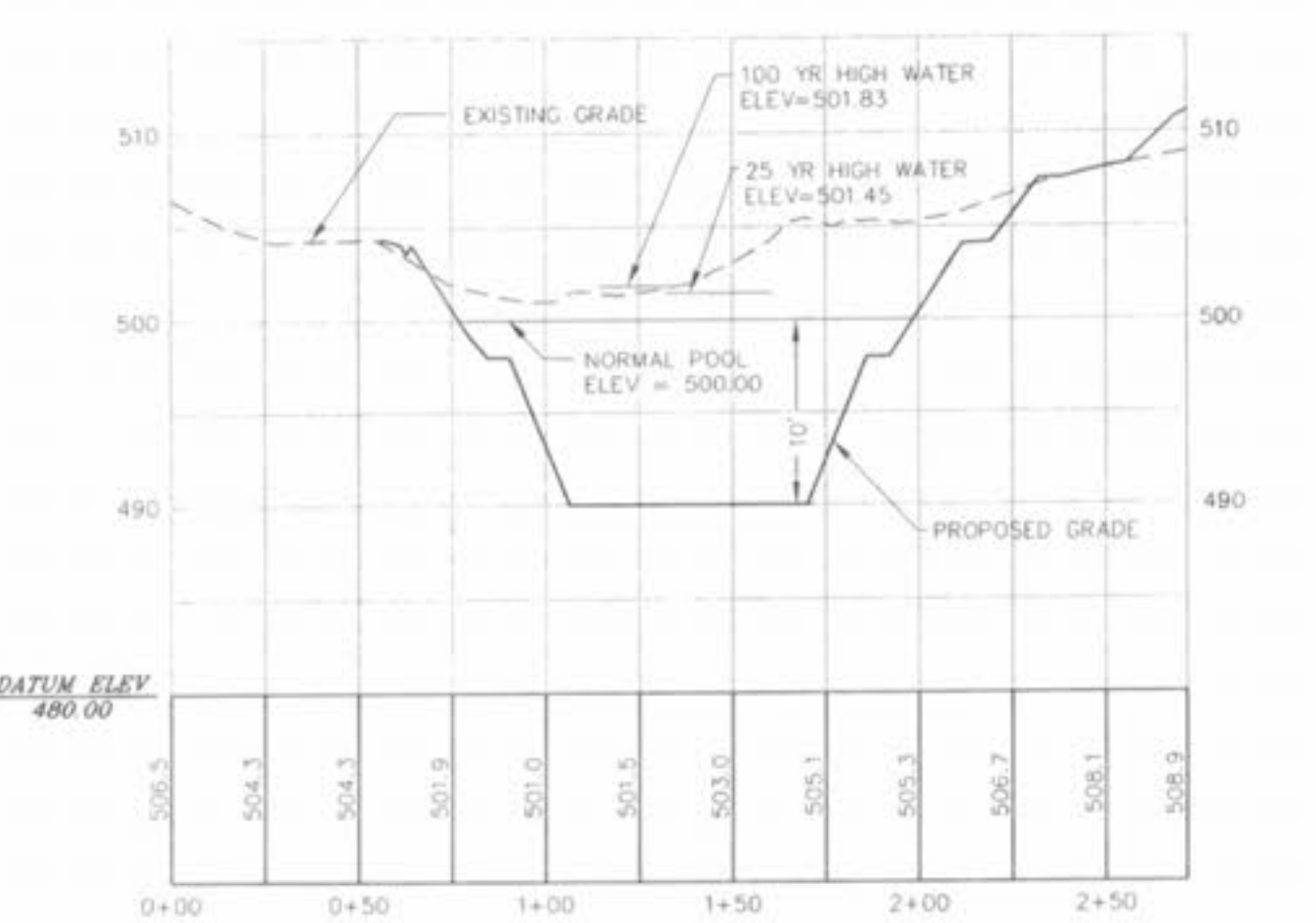
ORDER NO.	040486
DATE	04/21/05
	7



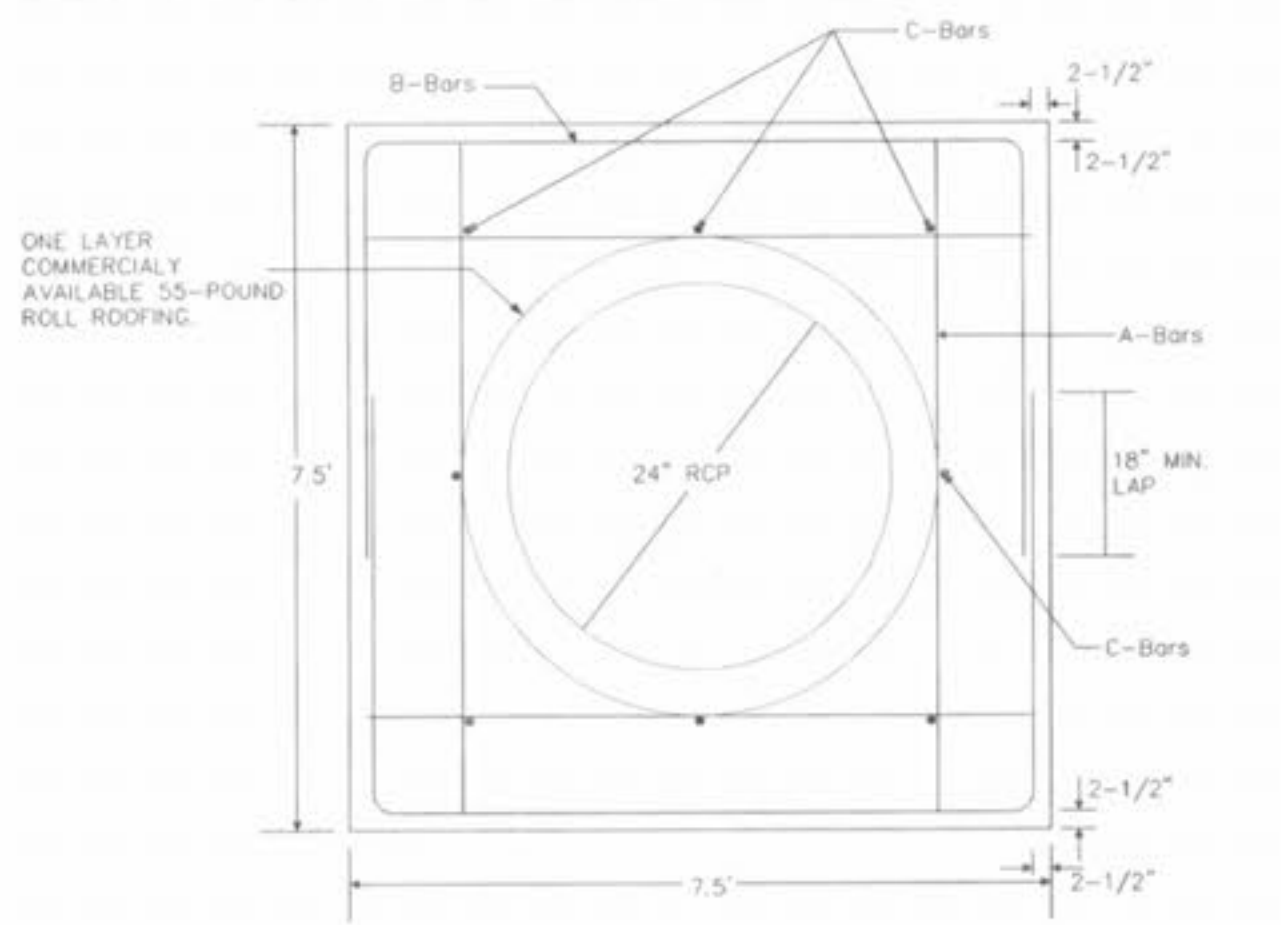
SECTION A-A



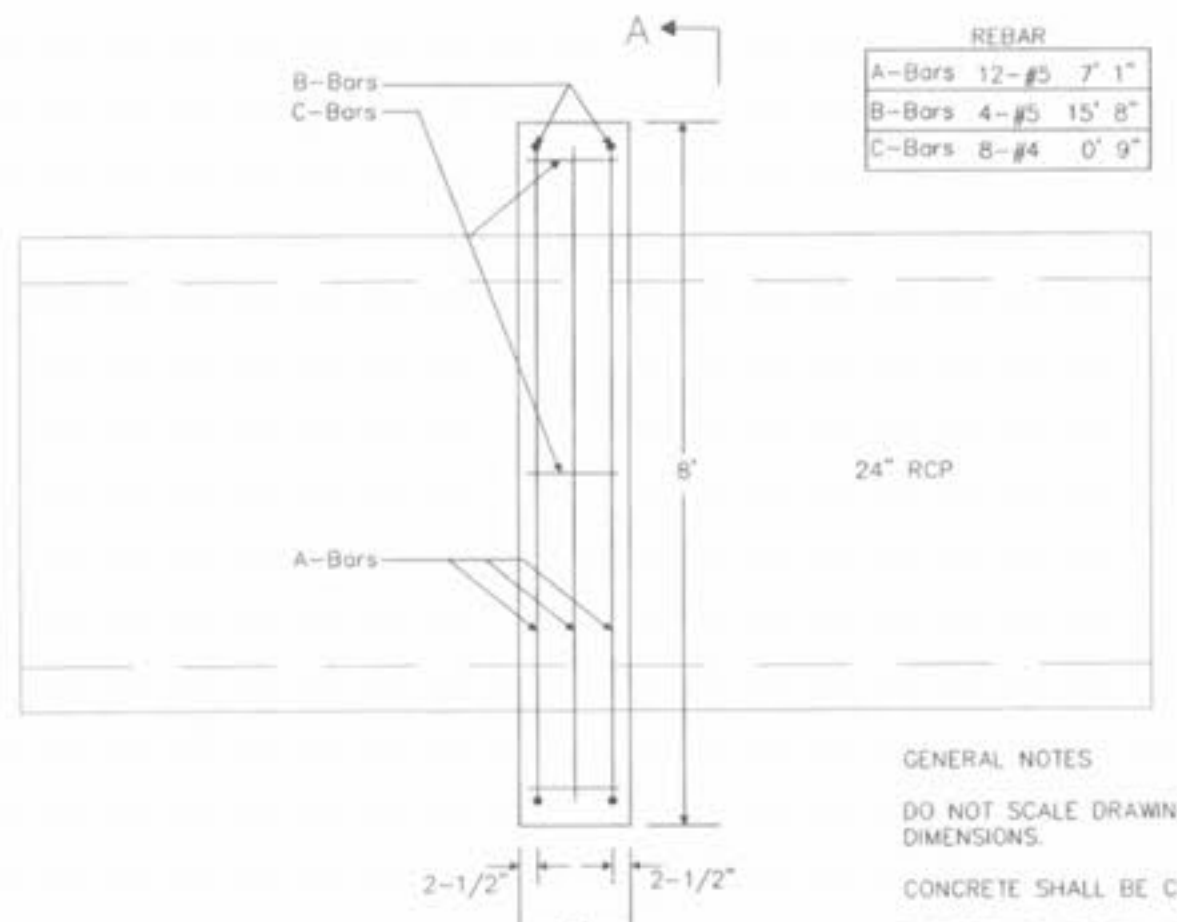
SECTION B-B



SECTION C-C



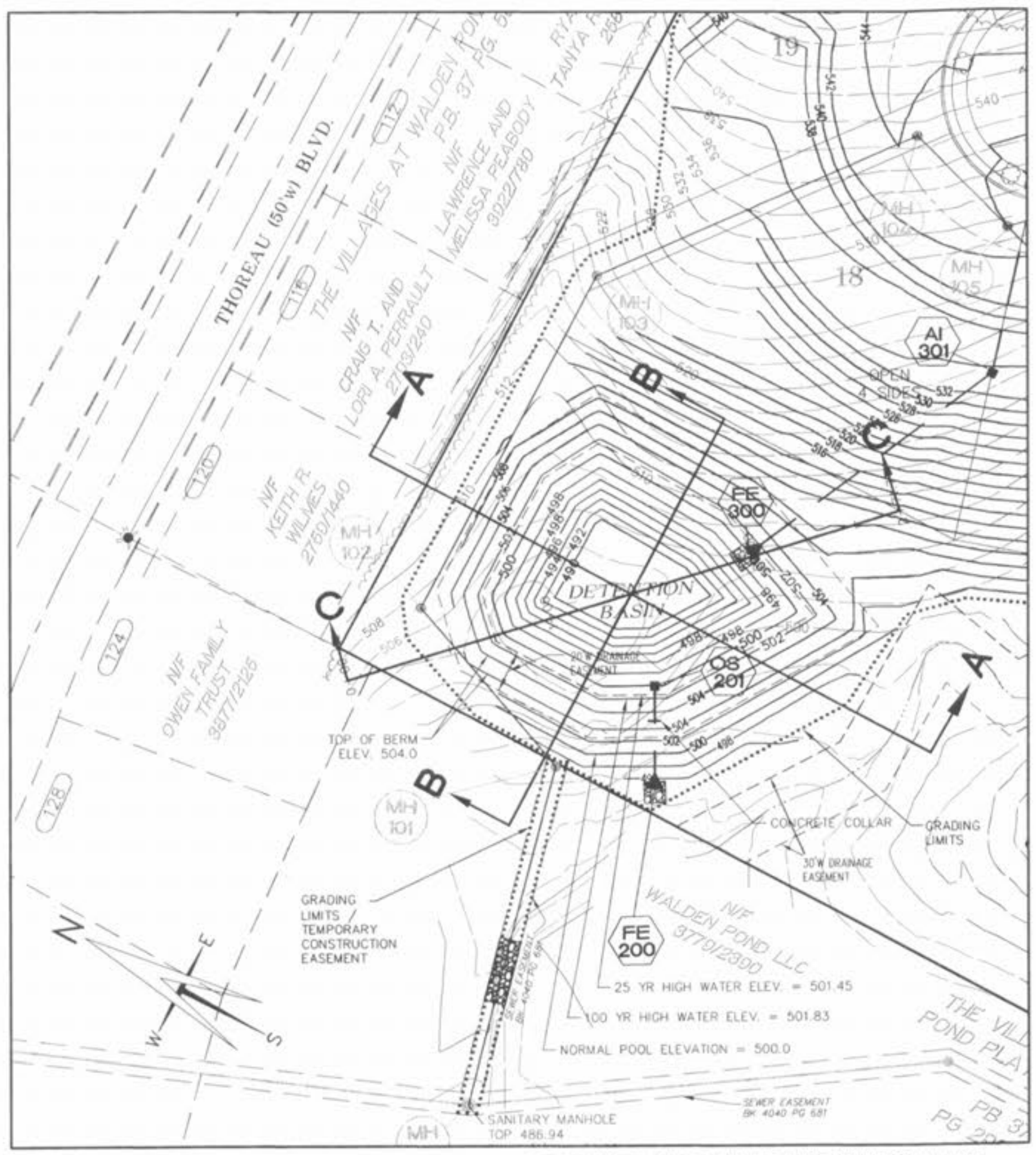
SECTION A-A



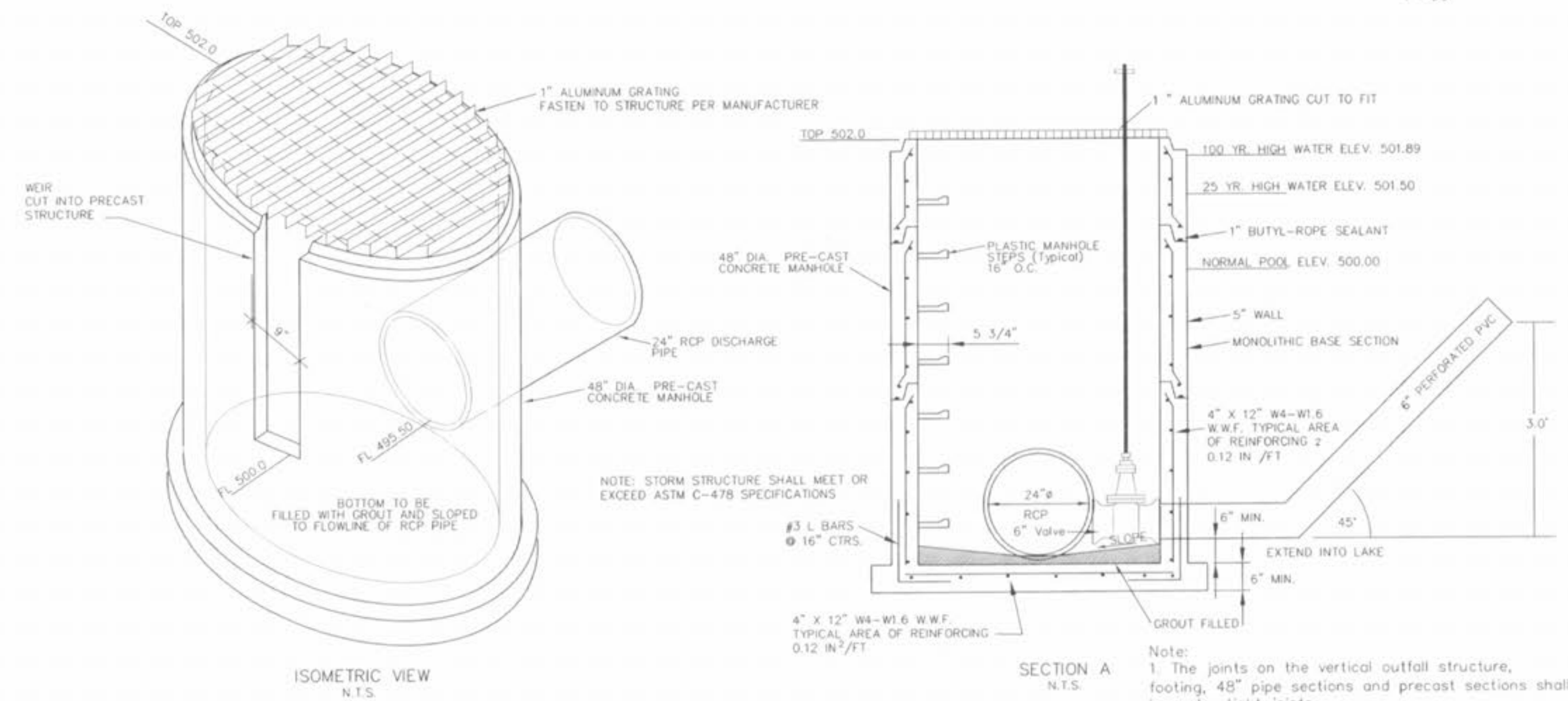
CONCRETE COLLAR DETAIL
N.T.S.

REBAR	
A-Bars	12-#5 7' 1"
B-Bars	4-#5 15' 8"
C-Bars	8-#4 0' 9"

GENERAL NOTES
DO NOT SCALE DRAWING. FOLLOW DIMENSIONS.
CONCRETE SHALL BE CLASS B.
THE DETAILS SHOWN ARE ADAPTED FROM THE MISSOURI DEPARTMENT OF TRANSPORTATION DRAWINGS.



THE UNDERGROUND UTILITIES SHOWN HEREIN WERE PLOTTED FROM AVAILABLE INFORMATION AND DO NOT NECESSARILY REFLECT THE ACTUAL EXISTENCE OR NON-EXISTENCE, SIZE, TYPE, NUMBER OR LOCATION OF THESE OR OTHER UTILITIES. THE GENERAL CONTRACTOR SHALL BE RESPONSIBLE FOR VERIFYING THE ACTUAL LOCATION OF ALL UNDERGROUND UTILITIES, SHOWN OR NOT SHOWN, AND SAID UTILITIES SHALL BE LOCATED IN THE FIELD PRIOR TO ANY GRADING, EXCAVATION OR CONSTRUCTION OF IMPROVEMENTS. THESE PROVISIONS SHALL IN NO WAY ABSOLVE ANY PARTY FROM COMPLYING WITH THE UNDERGROUND FACILITY SAFETY AND DAMAGE PREVENTION ACT, CHAPTER 319, RSMO.



ISOMETRIC VIEW
N.T.S.

SECTION A
N.T.S.

**DETENTION STRUCTURE DETAIL
FOR BASIN #1**

Note:
1. The joints on the vertical outfall structure, footing, 48\"/>