

GENERAL NOTES

- Do not scale drawing. Follow dimensions.
- Sidewalk and sidewalk curb ramps shall be constructed in accordance with these details and the current approved "Americans with Disabilities Act Accessibility Guidelines" (AGAC).
- Provide a landing of the top of each straight ramp when the grade along curb (L.F.) is greater than +2% and less than 1/2% for other values of L.F., including all negative (-) values, no landing is required.
- Maximum sidewalk width along 3\"/>

TYPE 1 AND TYPE 2 CURB RAMPS

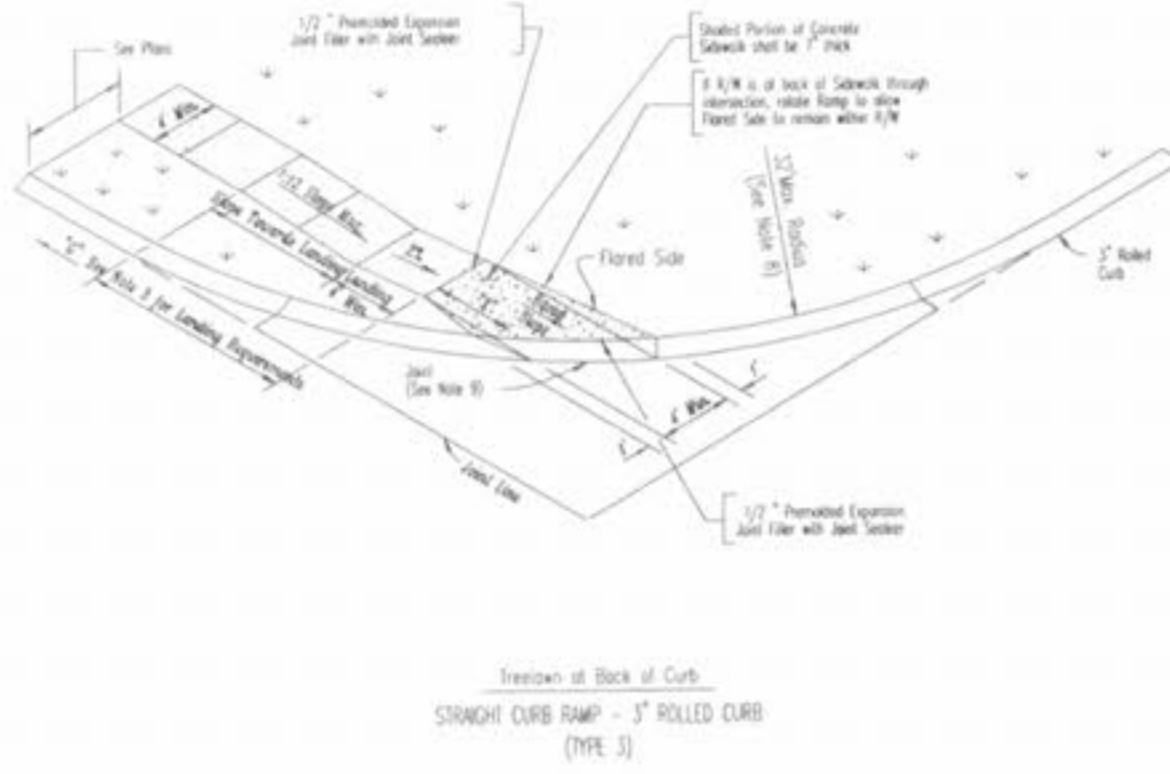
GRADE ALONG CURB (%)	MIN. LENGTH OF RAMP SLOPE (L.F.)
NEGATIVE (-) VALUES	6
0 TO +1	7
+1.01 TO +2	8
+2.01 TO +3	10
+3.01 TO +4	12
GREATER THAN +4	15

NOTE: Positive (+) % - Proceeding away from intersection and up a grade.
Negative (-) % - Proceeding away from intersection and down a grade.

TYPE 3 CURB RAMP

GRADE ALONG CURB (%)	MIN. LENGTH OF RAMP SLOPE (L.F.)
NEGATIVE (-) VALUES	3
0 TO +2	4
+2.01 TO +3	5
+3.01 TO +4	6
+4.01 TO +5	8
+5.01 TO +6	11
GREATER THAN +6	15

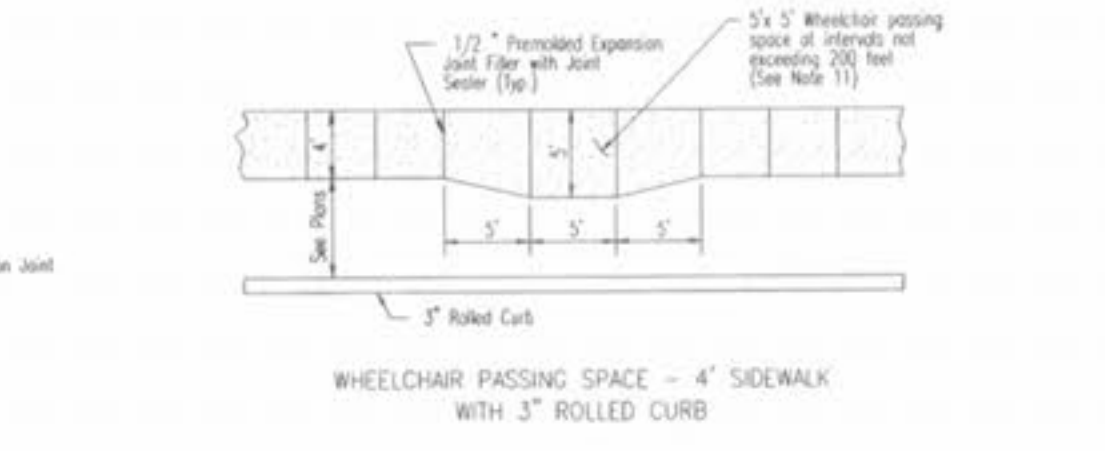
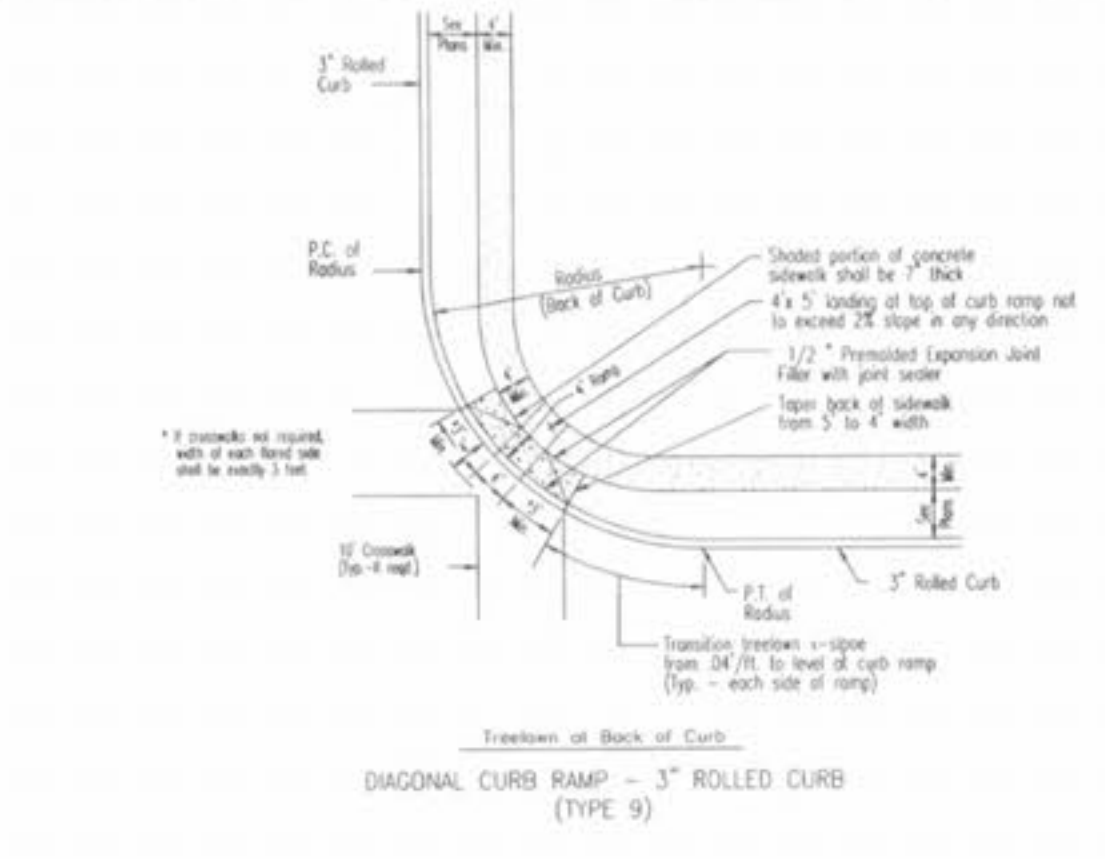
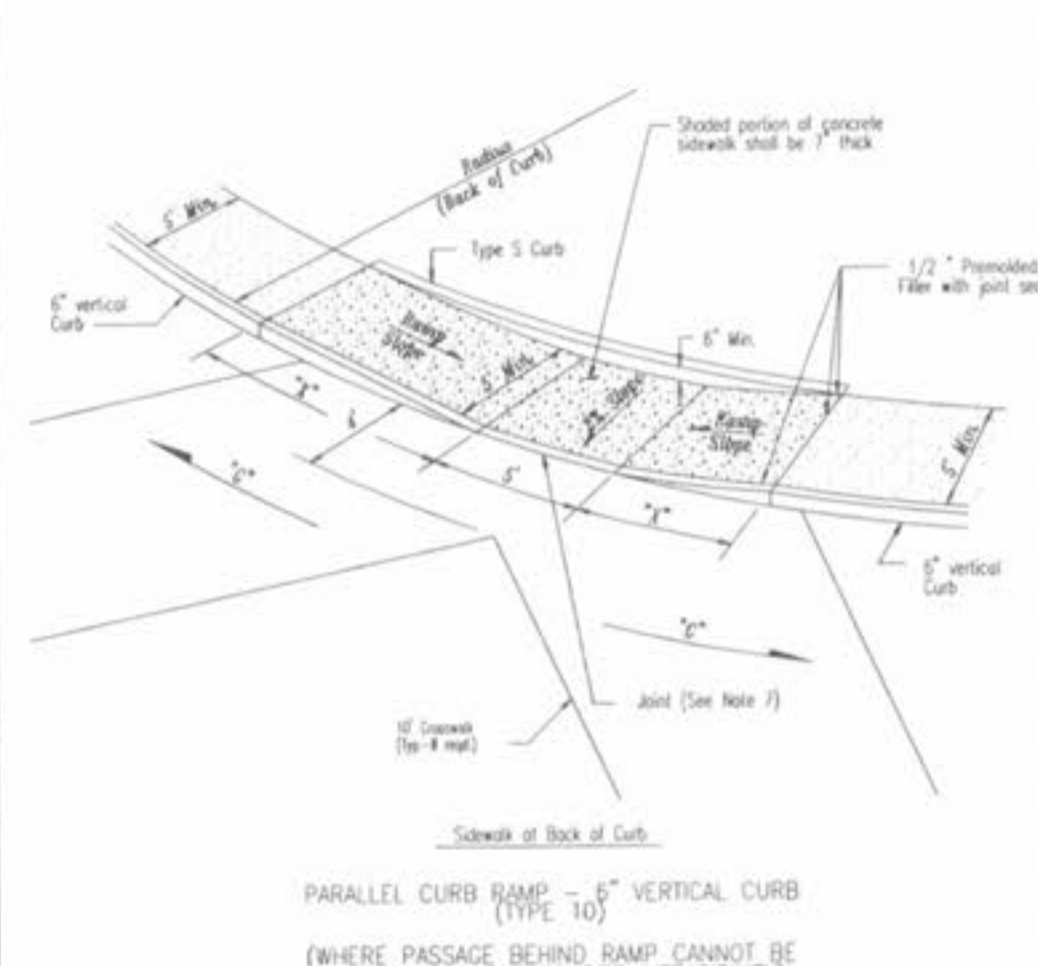
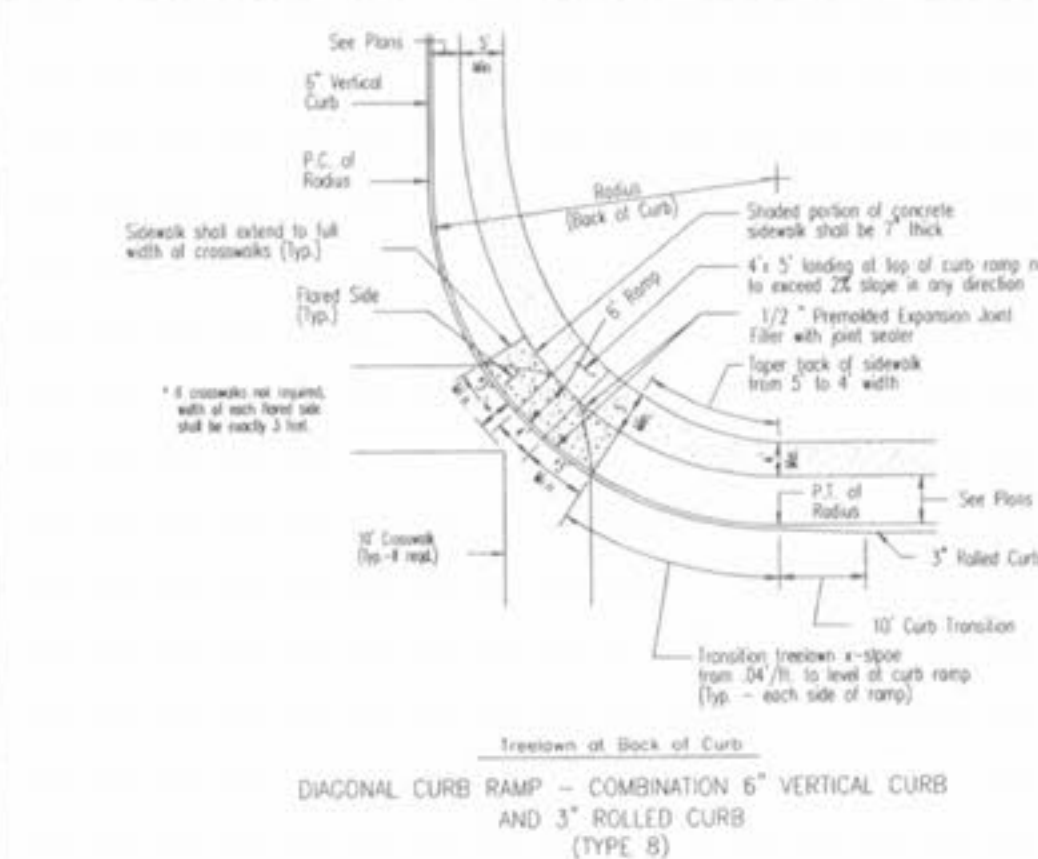
NOTE: Positive (+) % - Proceeding away from intersection and up a grade.
Negative (-) % - Proceeding away from intersection and down a grade.



SAINT CHARLES COUNTY
HIGHWAY DEPARTMENT
ST. CHARLES, MISSOURI

PAVEMENT CONSTRUCTION DETAILS
CONCRETE SIDEWALK AND CURB RAMPS

DATE: June, 2002 DRAWING CS08.10



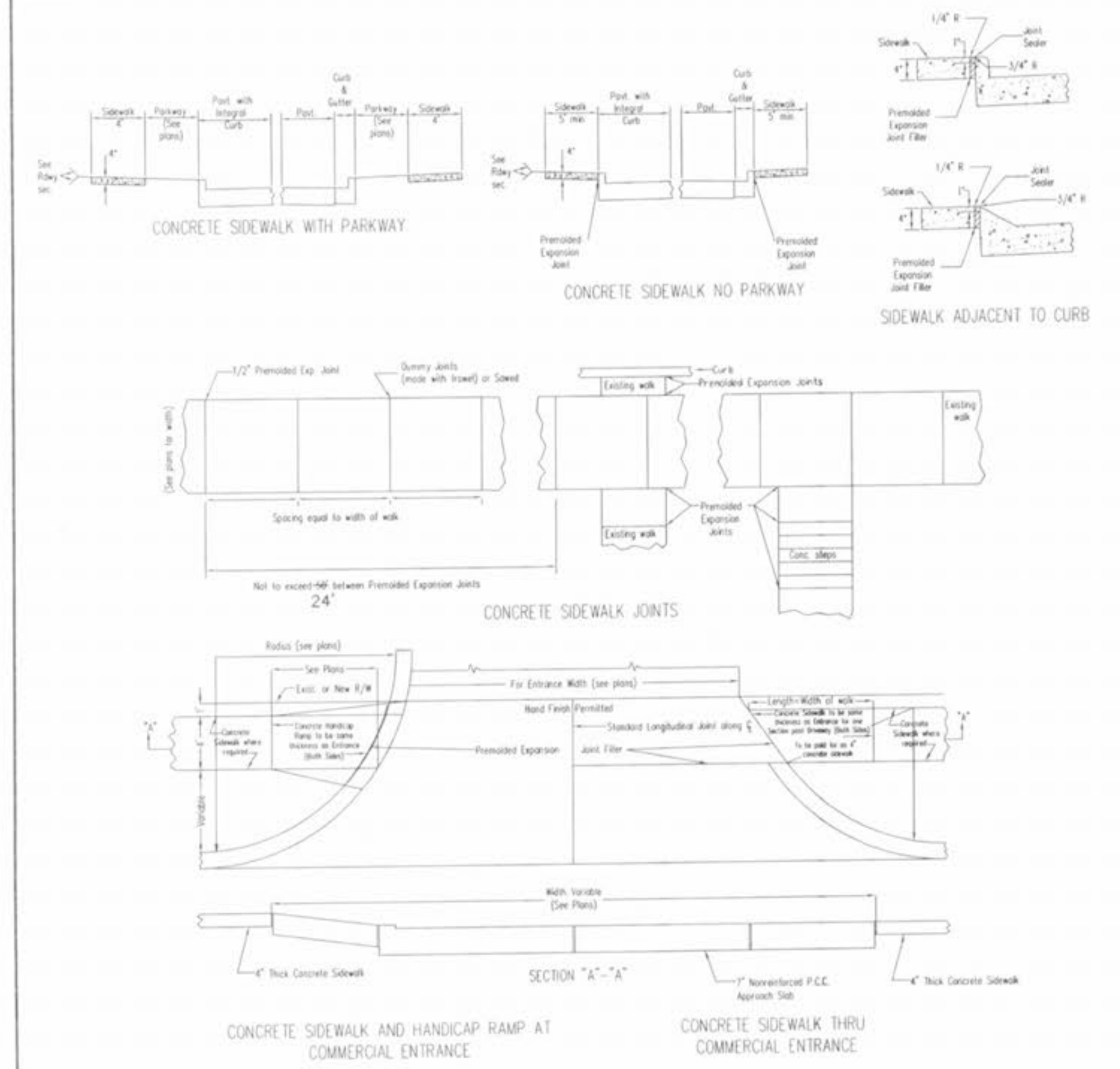
TYPE 10 CURB RAMP

GRADE ALONG CURB THROUGH ROUNDING (%)	LENGTH OF FLARED SIDE ALONG CURB (L.F.)
NEGATIVE (-) VALUES	6
0 TO +1	7
+1.01 TO +2	8
+2.01 TO +3	10
+3.01 TO +4	12
GREATER THAN +4	15

NOTE: Positive (+) % - Proceeding away from ramp and up a grade.
Negative (-) % - Proceeding away from ramp and down a grade.

GENERAL NOTES

- Do not scale drawing. Follow dimensions.
- Sidewalk and sidewalk curb ramps shall be constructed in accordance with these details and the current approved "Americans with Disabilities Act Accessibility Guidelines" (AGAC).
- Minimum sidewalk width along 3\"/>



GENERAL NOTES

- Do not scale drawing. Follow dimensions.
- Sidewalk cross slope 0.02%/ft.
- Sidewalk thickness increases to 6\"/>

MODIFIED PER CITY OF O'FALLON

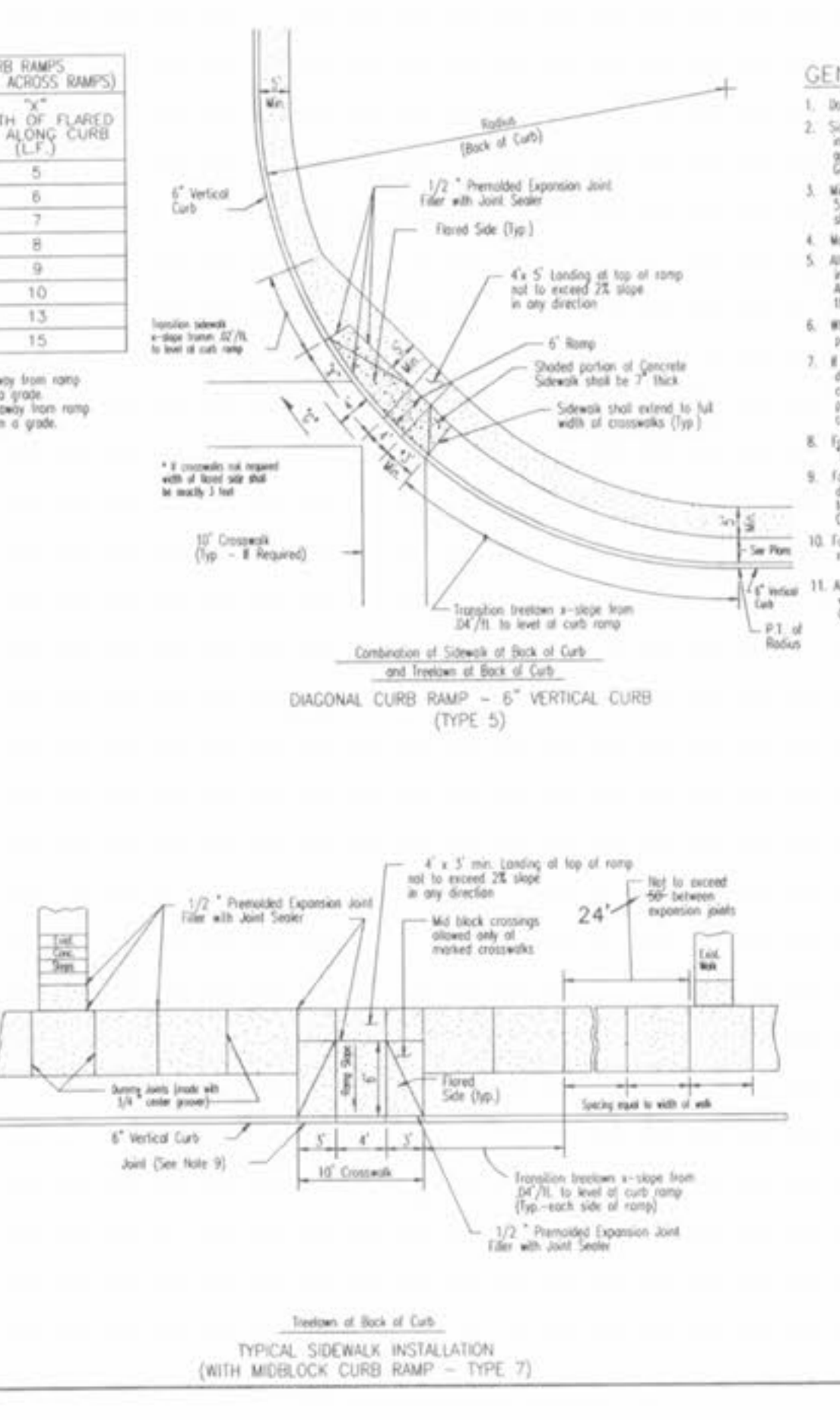
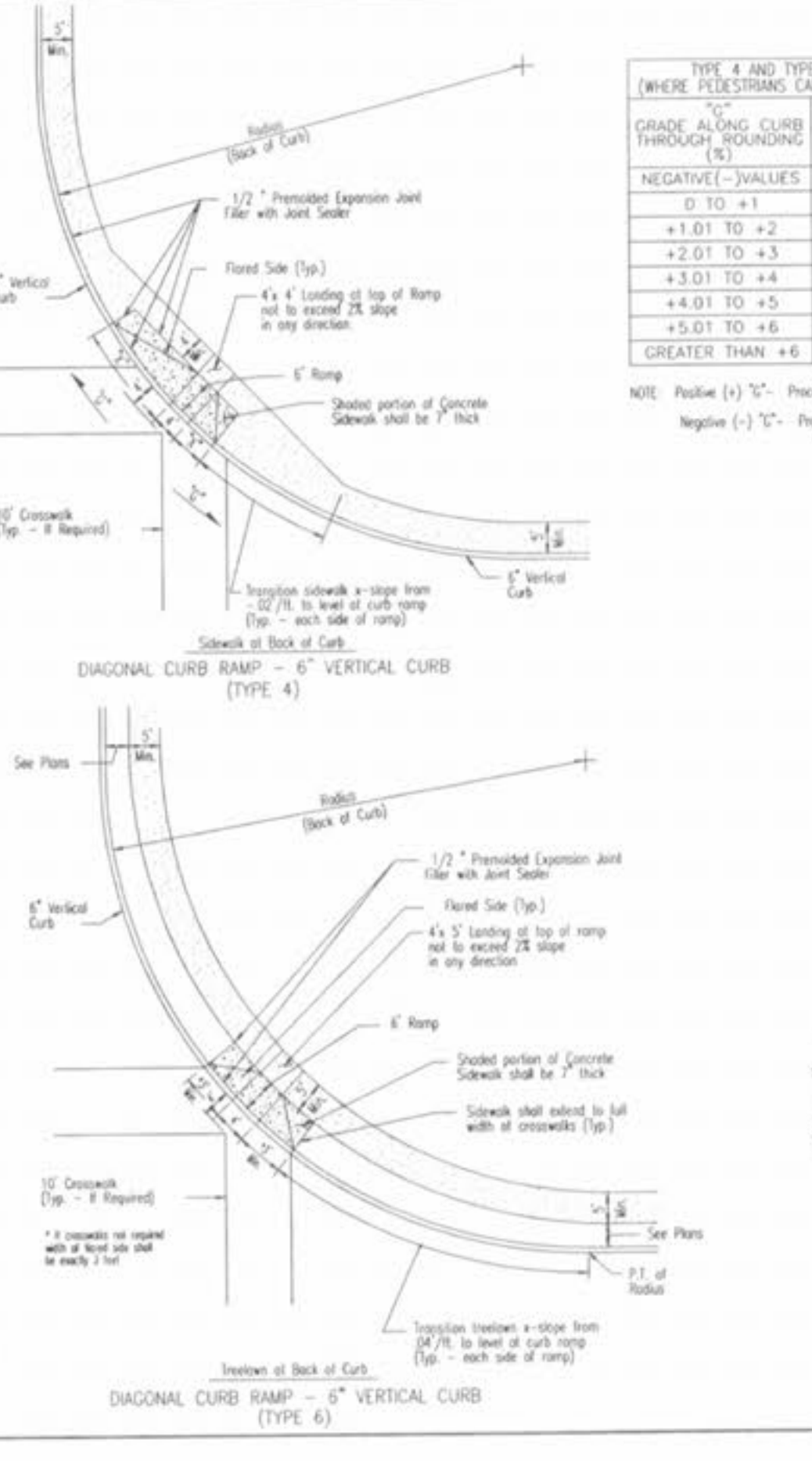
SAINT CHARLES COUNTY
HIGHWAY DEPARTMENT
ST. CHARLES, MISSOURI

CONCRETE SIDEWALK

DATE: October, 2002 DRAWING C608.14

SEE 'PAVEMENT DETAILS 1' SHEET FOR TRUNCATED DOMES DETAIL REQUIRED IN ALL CURB RAMPS.

CITY OF O'FALLON FILE NUMBER: 3104.01



GENERAL NOTES

- Do not scale drawing. Follow dimensions.
- Sidewalk and sidewalk curb ramps shall be constructed in accordance with these details and the current approved "Americans with Disabilities Act Accessibility Guidelines" (AGAC).
- Minimum sidewalk width along 3\"/>

MODIFIED PER CITY OF O'FALLON

SAINT CHARLES COUNTY
HIGHWAY DEPARTMENT
ST. CHARLES, MISSOURI

PAVEMENT CONSTRUCTION DETAILS
CONCRETE SIDEWALK AND CURB RAMPS

DATE: June, 2002 DRAWING C608.11

IMPROVEMENT PLANS
ELK RIDGE
PAVEMENT DETAILS 2

ST. CHARLES ENGINEERING & SURVEYING, INC.
801 S. FIFTH STREET, SUITE 202
ST. CHARLES, MO 63301
TEL: (636) 947-0607 FAX: (636) 947-2448



ORDER NO. 040486
DATE 04/15/05
D2