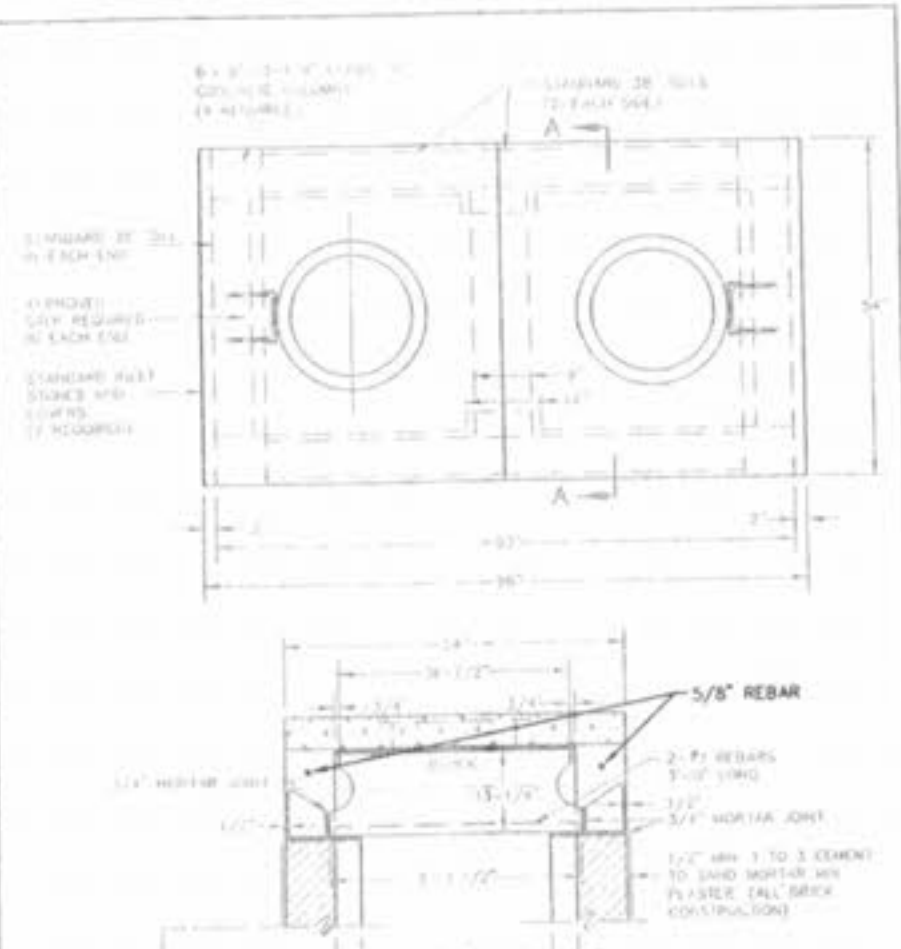
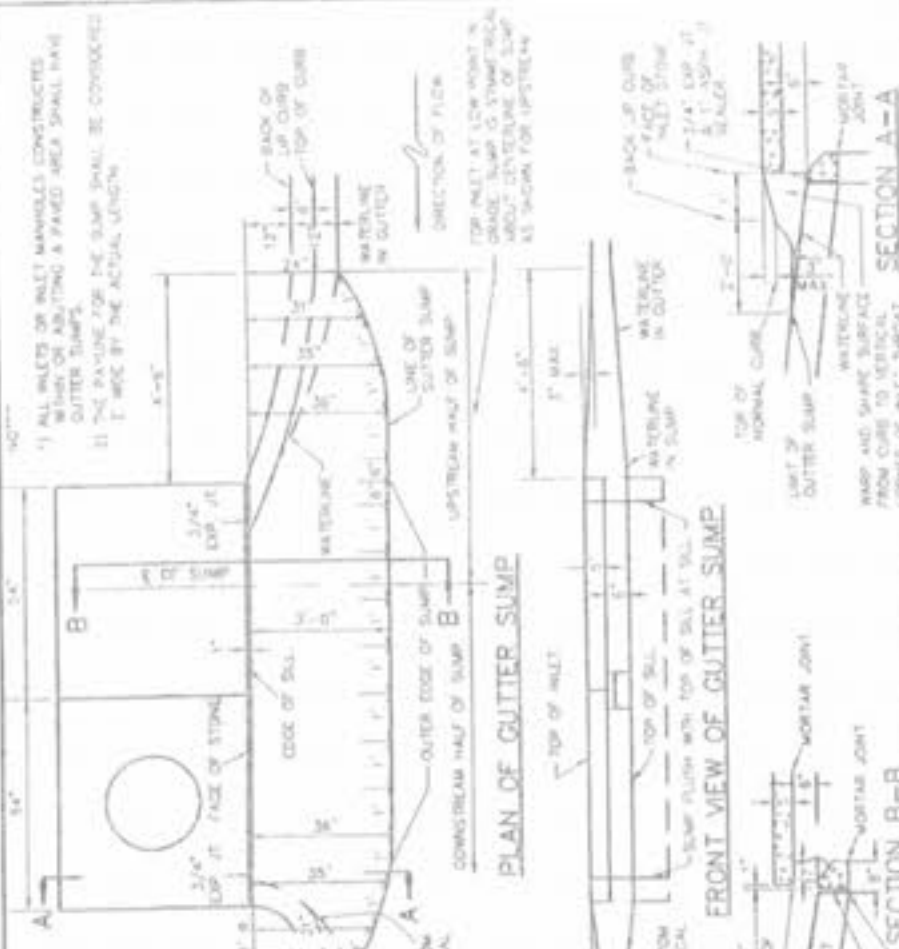


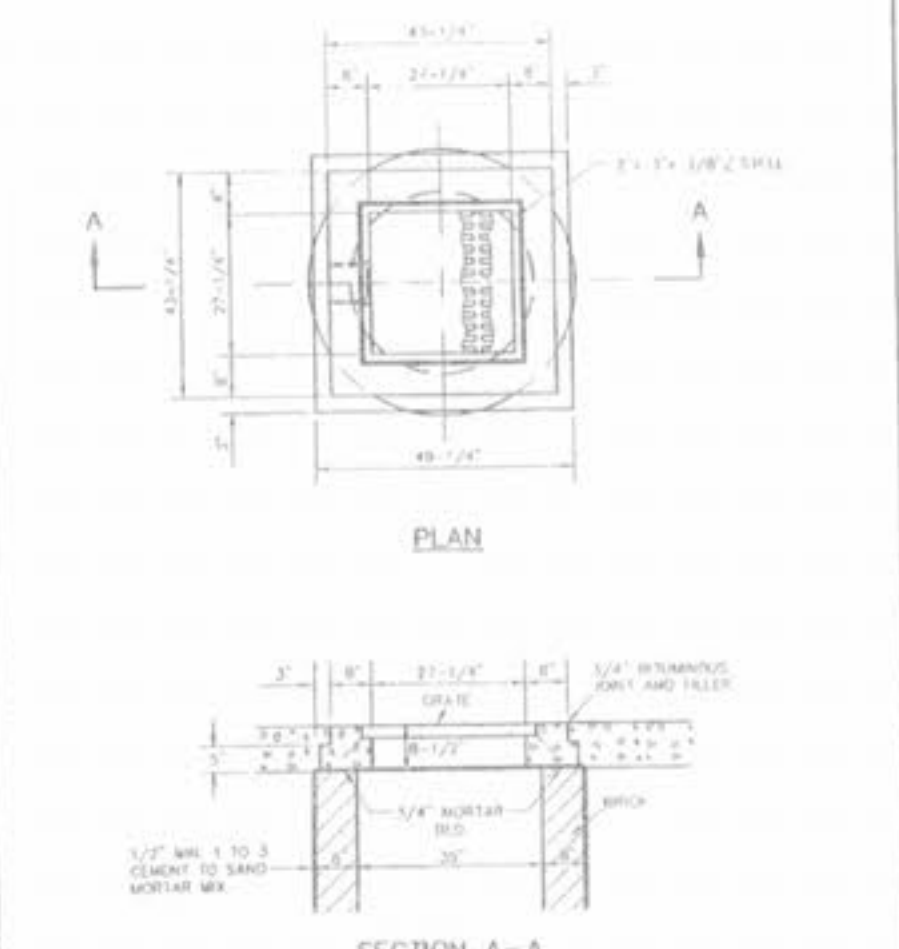
MODIFIED PER CITY OF O'FALLON  
AREA INLET MANHOLE  
(12" THRU 74")  
METROPOLITAN ST. LOUIS SEWER DISTRICT  
Standard Details of Sewer Construction  
DR. ROW/SAM  
CH. J.C.K.  
2000  
SHEET 30



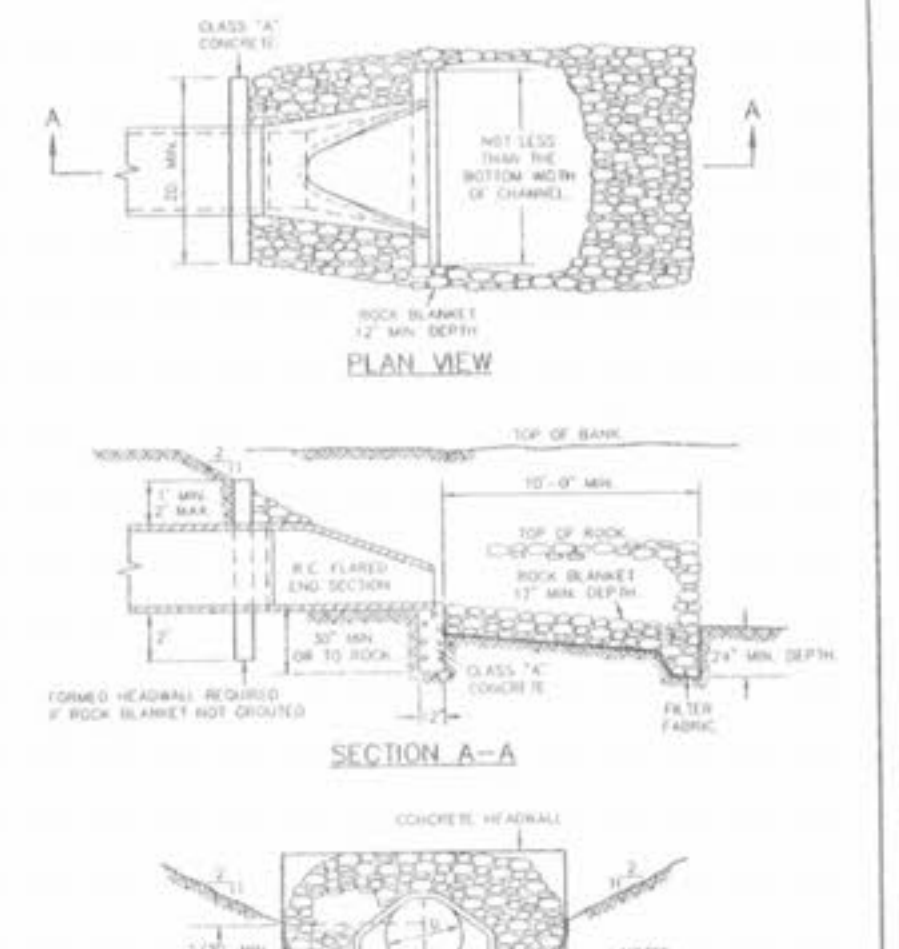
MODIFIED PER CITY OF O'FALLON  
DOUBLE AREA INLET  
OPEN 4 SIDES  
BRICK CONSTRUCTION  
METROPOLITAN ST. LOUIS SEWER DISTRICT  
Standard Details of Sewer Construction  
DR. ROW/SAM  
CH. J.C.K.  
2000  
SHEET 31



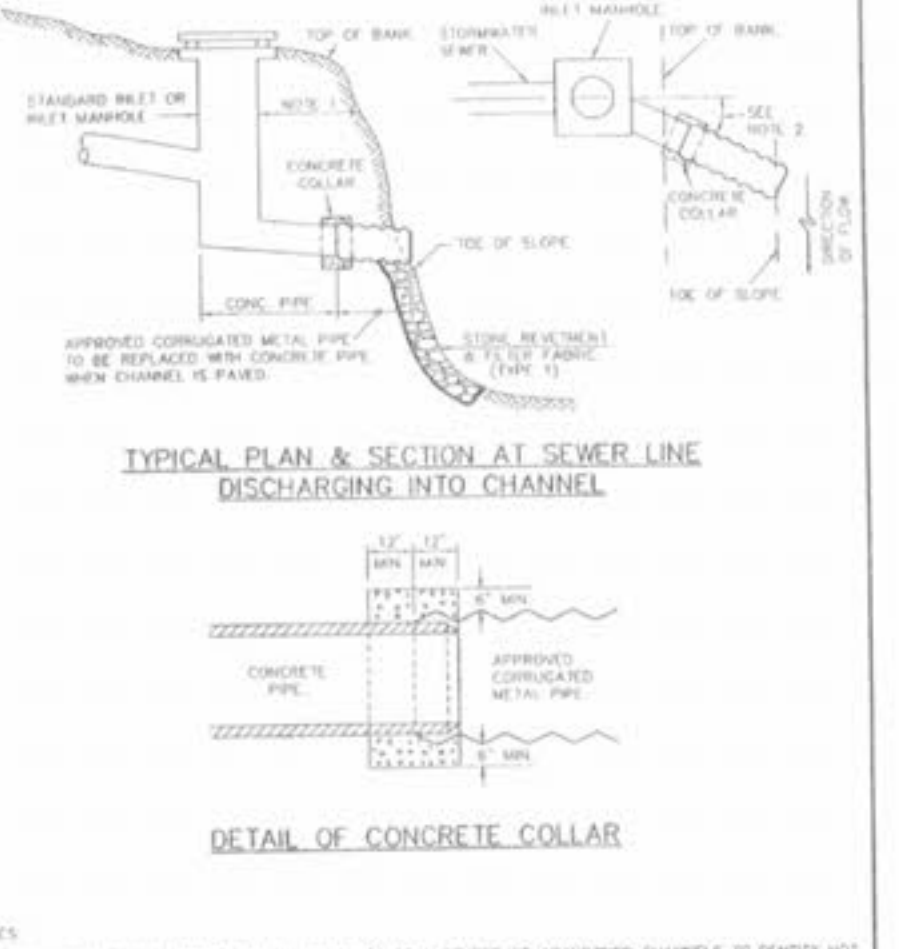
GUTTER SUMP  
FOR LIP CURB  
METROPOLITAN ST. LOUIS SEWER DISTRICT  
Standard Details of Sewer Construction  
DR. ROW/SAM  
CH. J.C.K.  
2000  
SHEET 50



2 GRATE INLET  
BRICK CONSTRUCTION  
METROPOLITAN ST. LOUIS SEWER DISTRICT  
Standard Details of Sewer Construction  
DR. ROW/SAM  
CH. J.C.K.  
2000  
SHEET 32



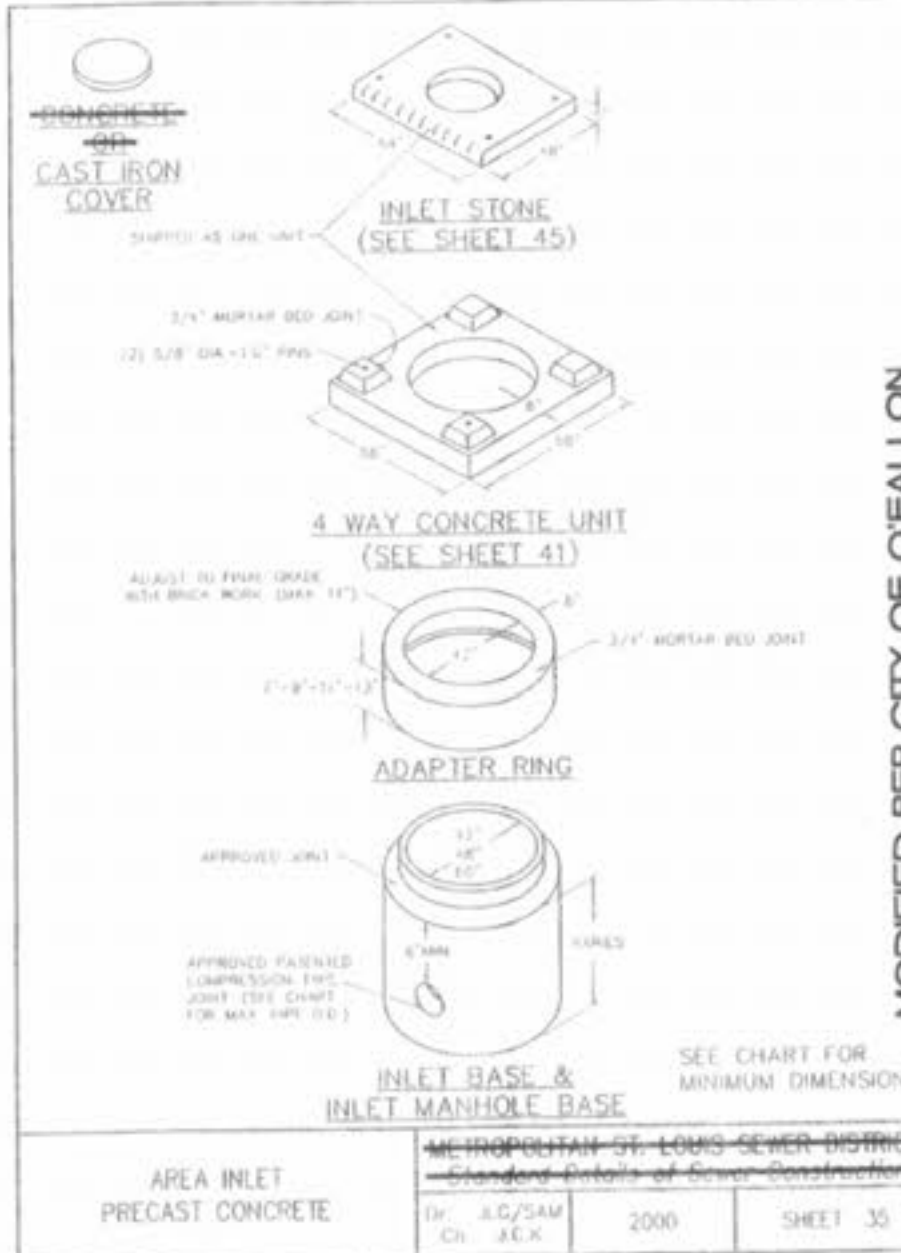
FLARED END SECTION  
METROPOLITAN ST. LOUIS SEWER DISTRICT  
Standard Details of Sewer Construction  
DR. ROW/SAM  
CH. J.C.K.  
2000  
SHEET 61



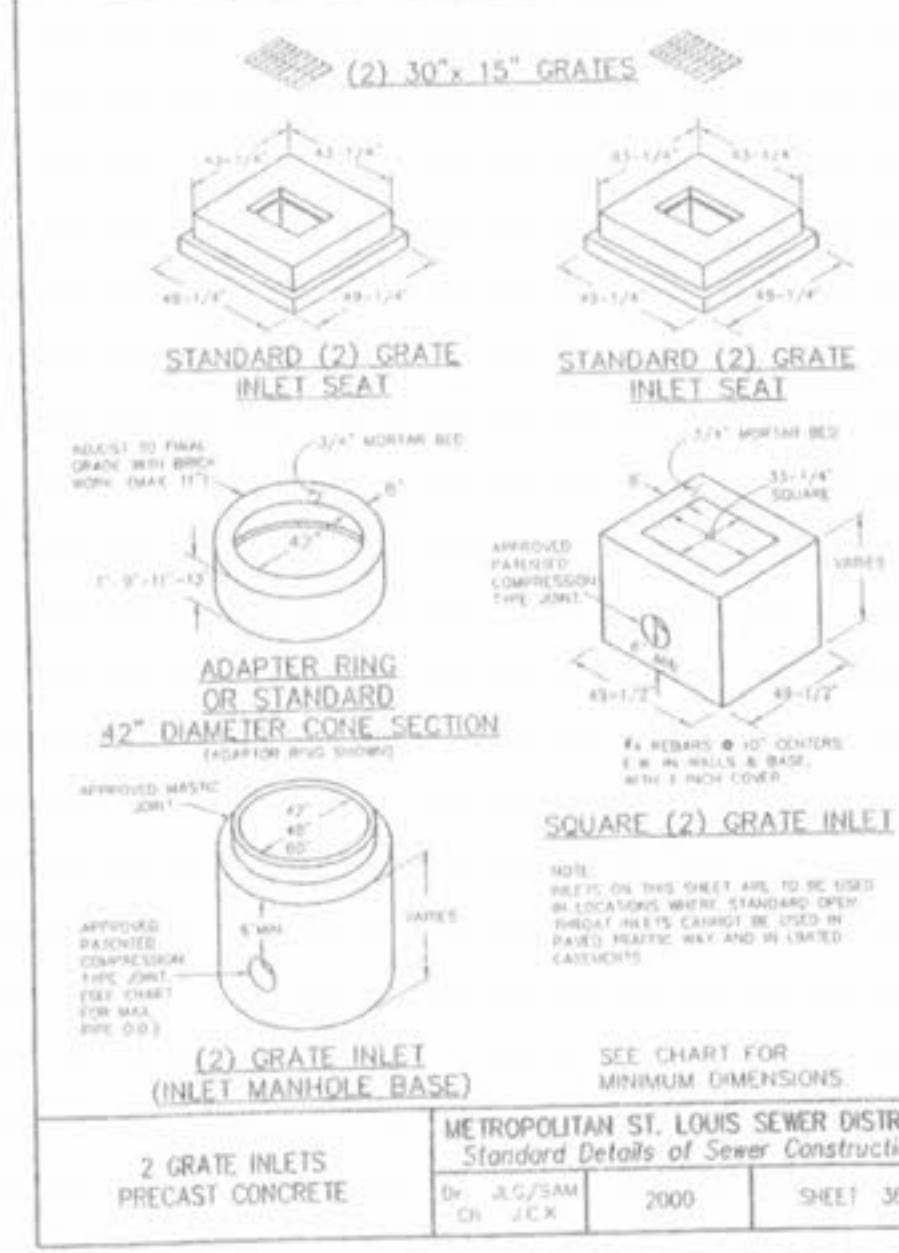
TYPICAL PLAN & SECTION AT SEWER LINE  
DISCHARGING INTO CHANNEL  
DETAIL OF CONCRETE COLLAR  
METROPOLITAN ST. LOUIS SEWER DISTRICT  
Standard Details of Sewer Construction  
DR. ROW/SAM  
CH. J.C.K.  
2000  
SHEET 62

Table with 4 columns: PRECAST CONCRETE UNIT, MINIMUM DISTANCE FROM CURB TO TOP OF STONE OR GRATE, and various dimensions for different grate sizes.

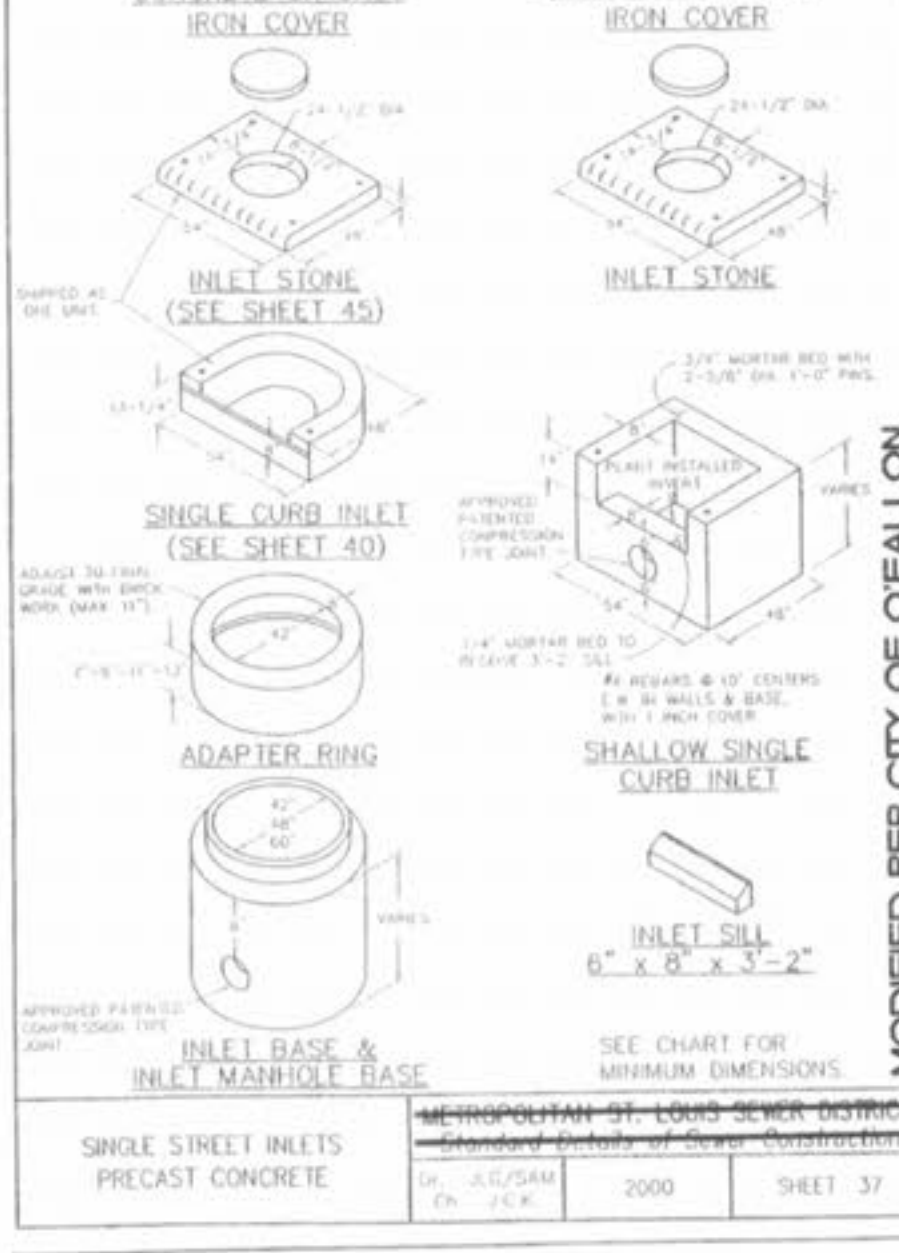
PRECAST CONCRETE  
STORMWATER STRUCTURES  
METROPOLITAN ST. LOUIS SEWER DISTRICT  
Standard Details of Sewer Construction  
DR. ROW/SAM  
CH. J.C.K.  
2000  
SHEET 34



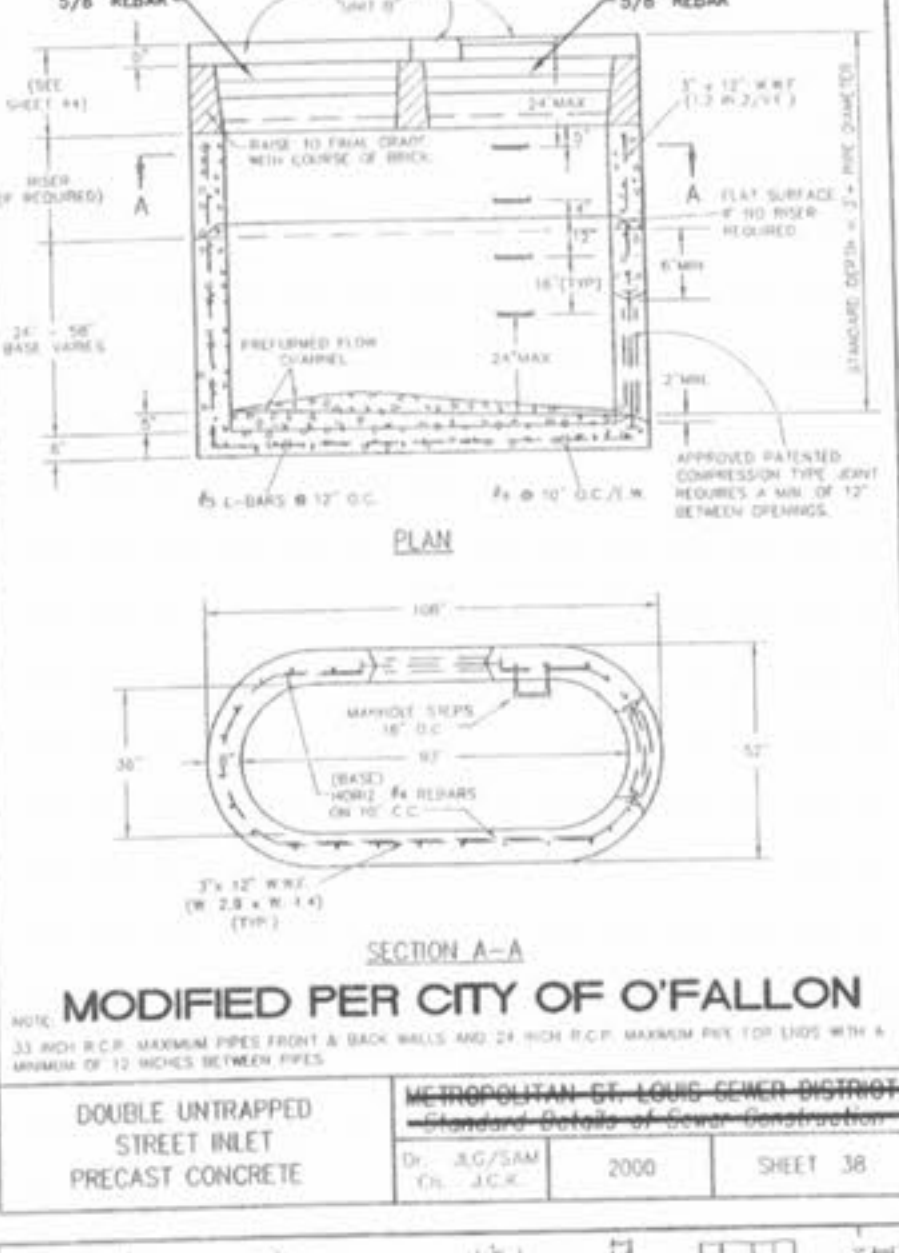
4 WAY CONCRETE UNIT  
(SEE SHEET 41)  
AREA INLET  
PRECAST CONCRETE  
METROPOLITAN ST. LOUIS SEWER DISTRICT  
Standard Details of Sewer Construction  
DR. ROW/SAM  
CH. J.C.K.  
2000  
SHEET 35



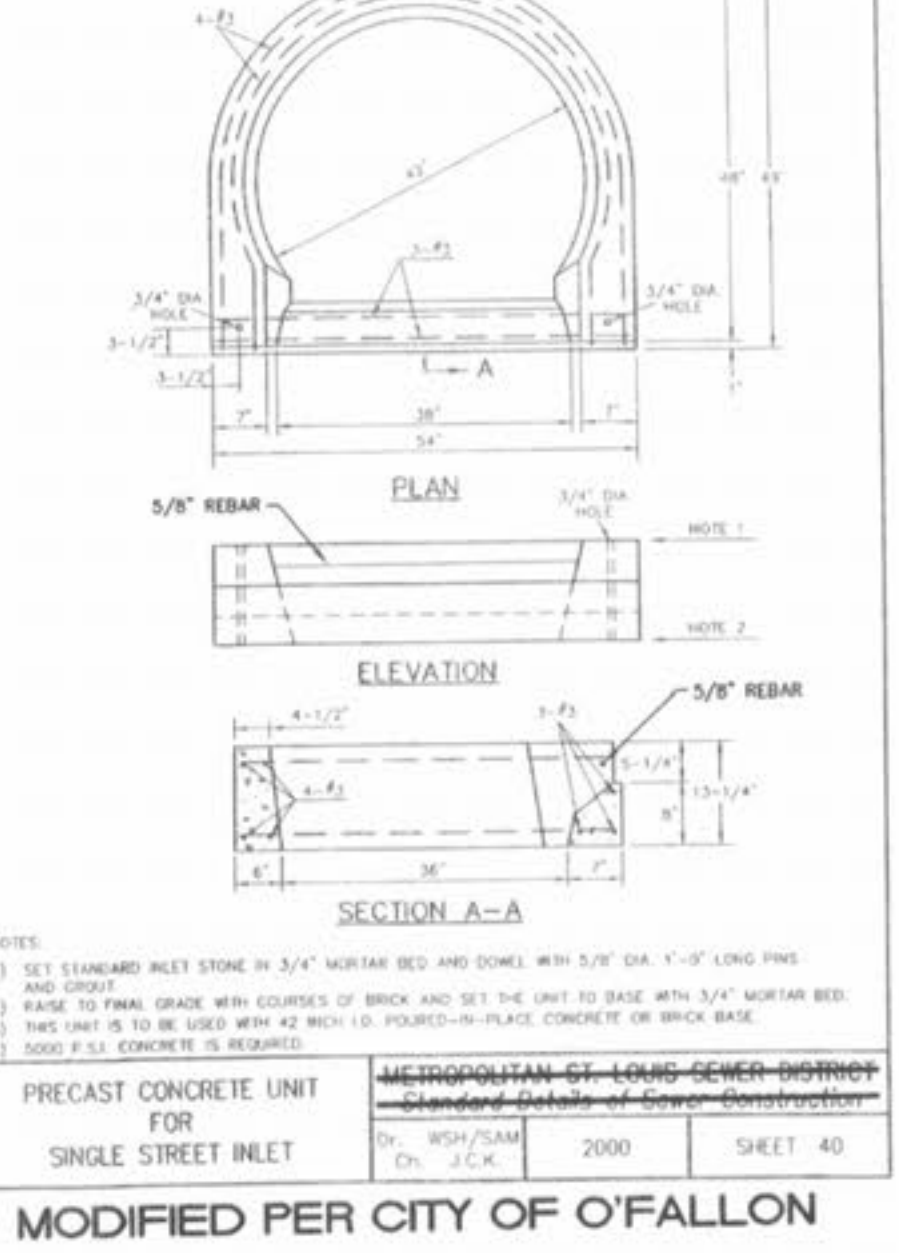
(2) GRATE INLETS  
PRECAST CONCRETE  
METROPOLITAN ST. LOUIS SEWER DISTRICT  
Standard Details of Sewer Construction  
DR. ROW/SAM  
CH. J.C.K.  
2000  
SHEET 36



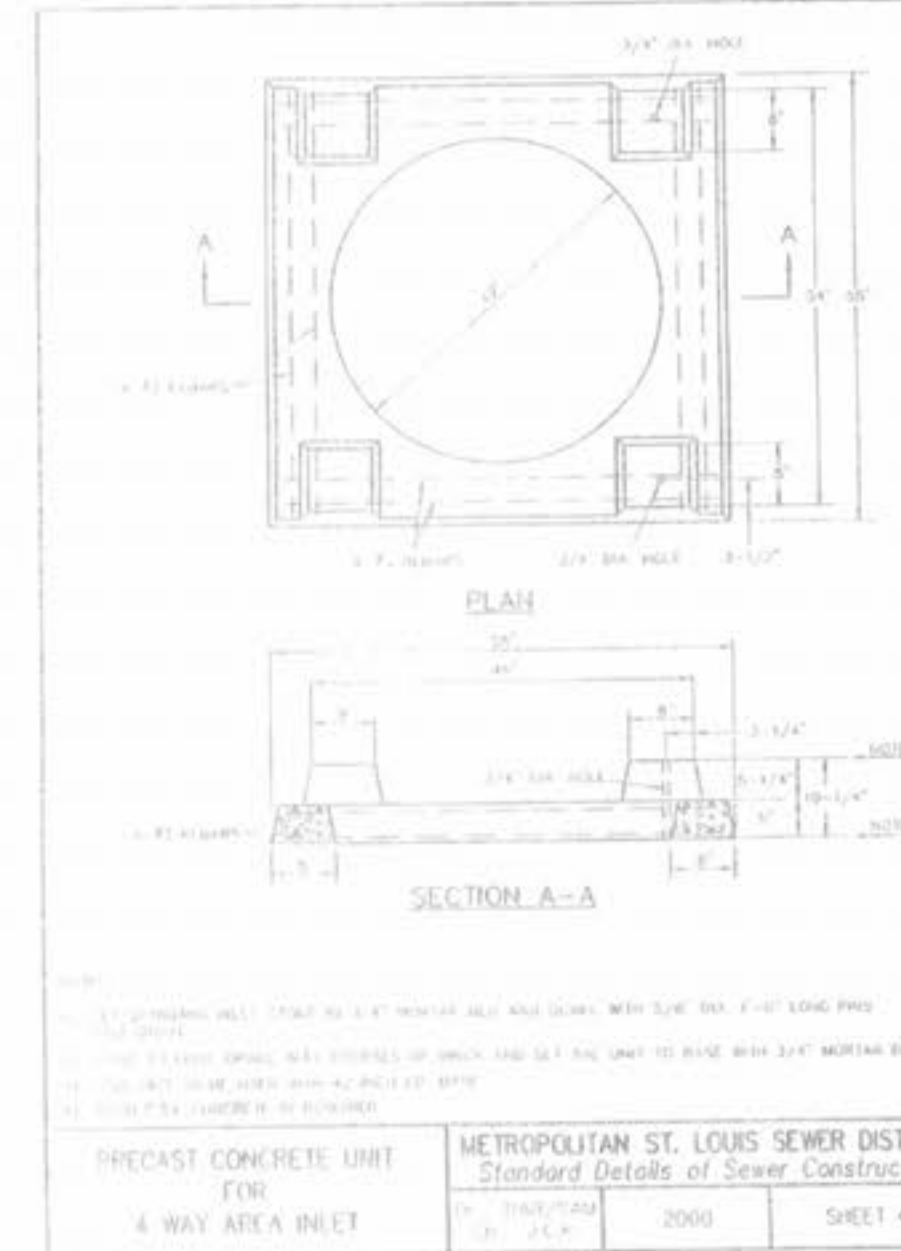
SINGLE STREET INLETS  
PRECAST CONCRETE  
METROPOLITAN ST. LOUIS SEWER DISTRICT  
Standard Details of Sewer Construction  
DR. ROW/SAM  
CH. J.C.K.  
2000  
SHEET 37



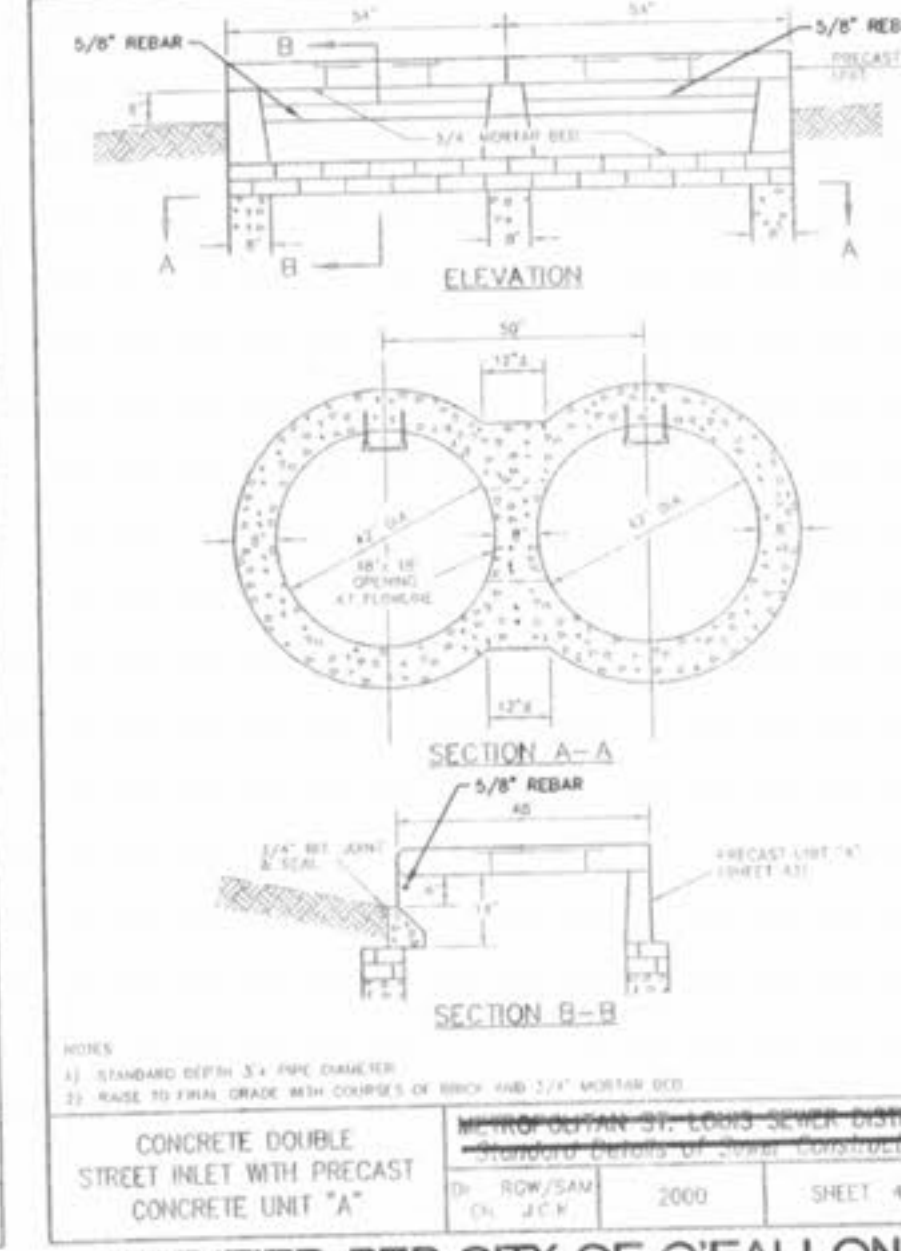
DOUBLE UNTRAPPED  
STREET INLET  
PRECAST CONCRETE  
METROPOLITAN ST. LOUIS SEWER DISTRICT  
Standard Details of Sewer Construction  
DR. ROW/SAM  
CH. J.C.K.  
2000  
SHEET 38



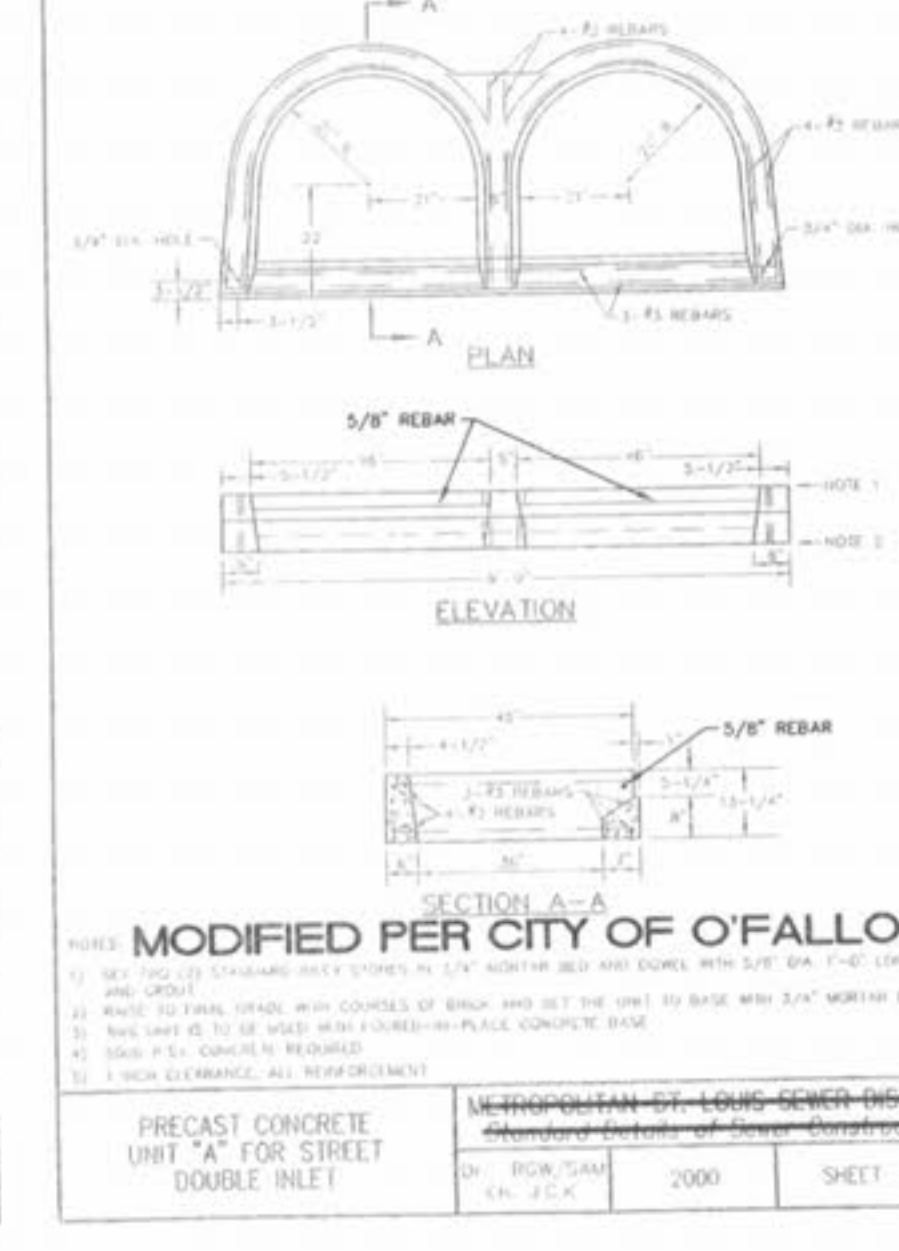
PRECAST CONCRETE UNIT  
FOR  
SINGLE STREET INLET  
METROPOLITAN ST. LOUIS SEWER DISTRICT  
Standard Details of Sewer Construction  
DR. ROW/SAM  
CH. J.C.K.  
2000  
SHEET 40



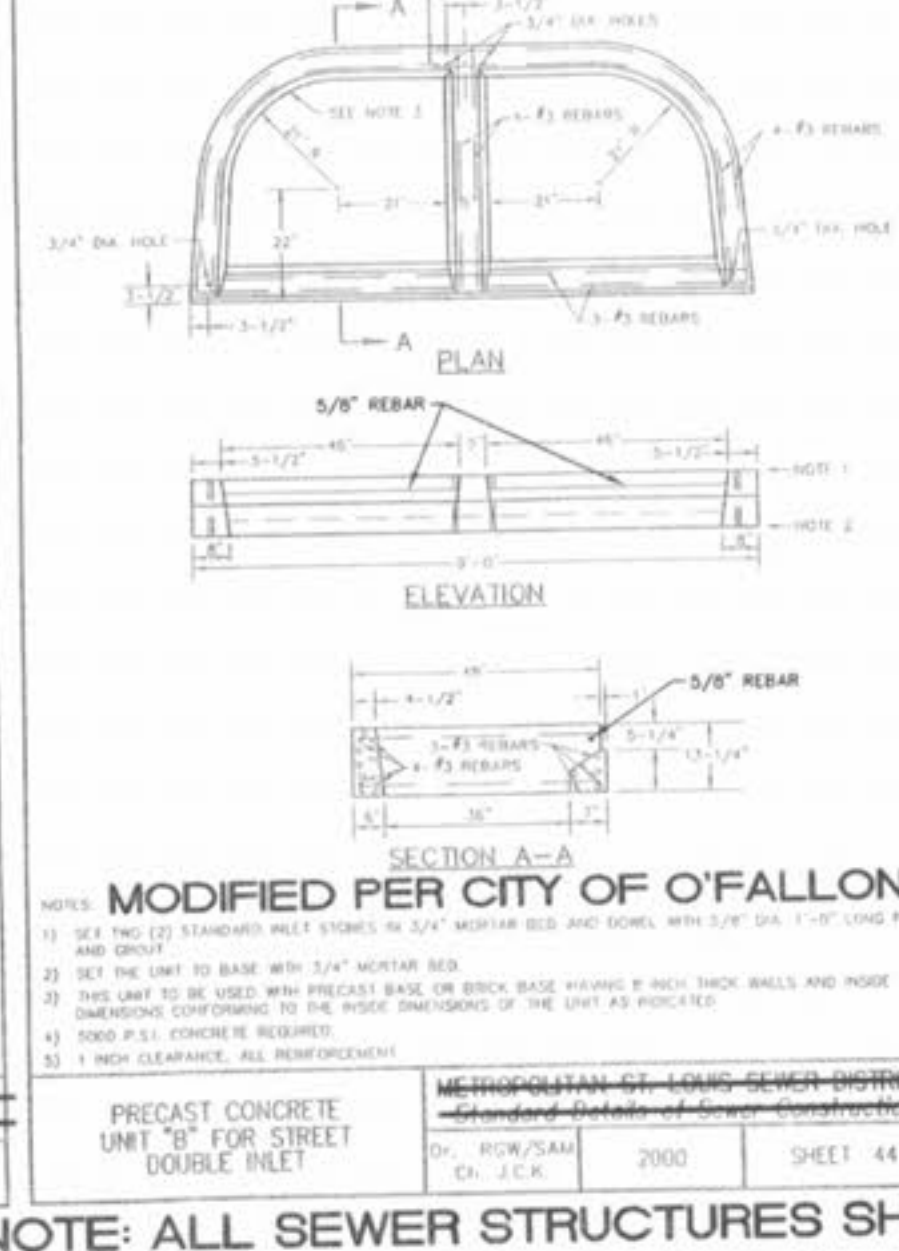
PRECAST CONCRETE UNIT  
FOR  
4 WAY AREA INLET  
METROPOLITAN ST. LOUIS SEWER DISTRICT  
Standard Details of Sewer Construction  
DR. ROW/SAM  
CH. J.C.K.  
2000  
SHEET 41



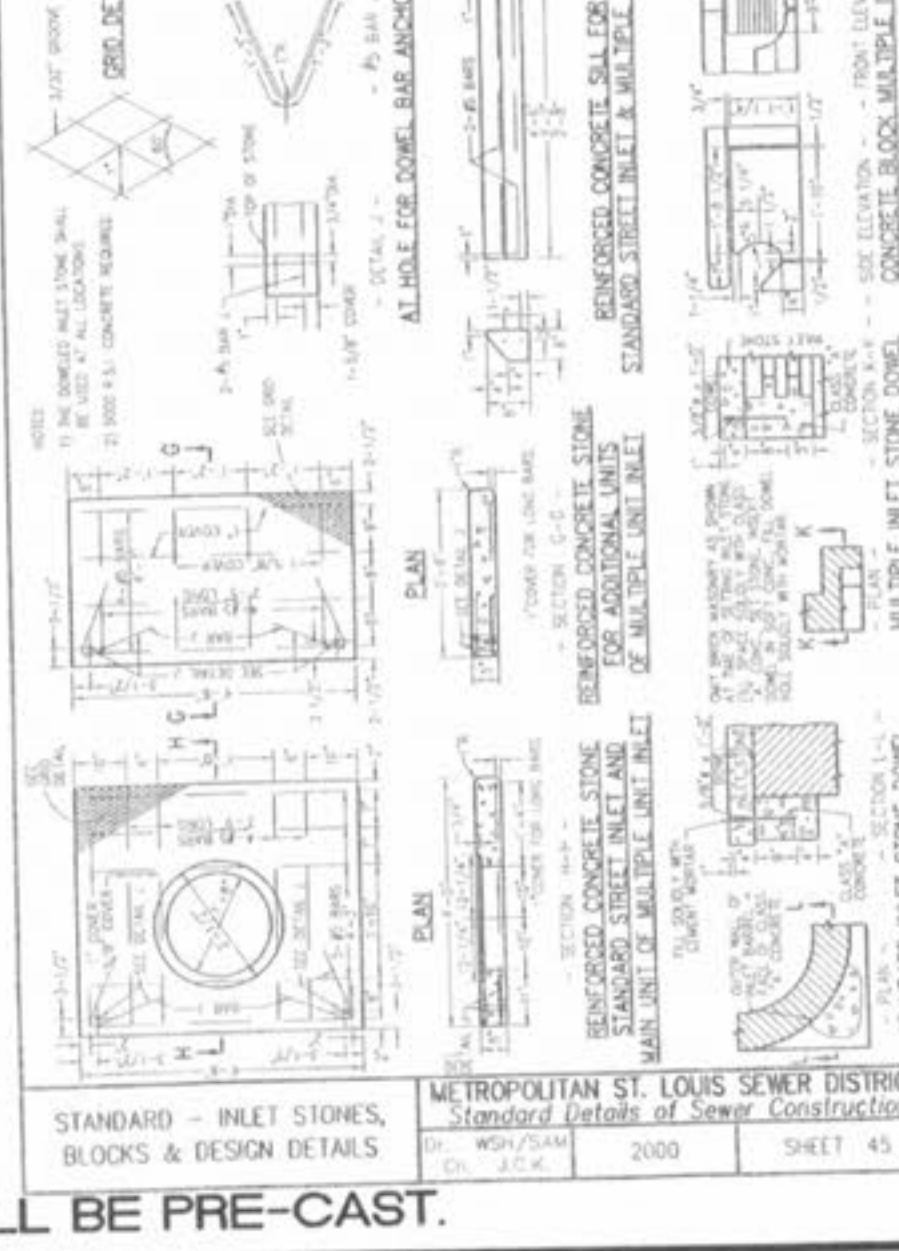
CONCRETE DOUBLE  
STREET INLET WITH PRECAST  
CONCRETE UNIT "A"  
METROPOLITAN ST. LOUIS SEWER DISTRICT  
Standard Details of Sewer Construction  
DR. ROW/SAM  
CH. J.C.K.  
2000  
SHEET 42



PRECAST CONCRETE  
UNIT "A" FOR STREET  
DOUBLE INLET  
METROPOLITAN ST. LOUIS SEWER DISTRICT  
Standard Details of Sewer Construction  
DR. ROW/SAM  
CH. J.C.K.  
2000  
SHEET 43



PRECAST CONCRETE  
UNIT "B" FOR STREET  
DOUBLE INLET  
METROPOLITAN ST. LOUIS SEWER DISTRICT  
Standard Details of Sewer Construction  
DR. ROW/SAM  
CH. J.C.K.  
2000  
SHEET 44



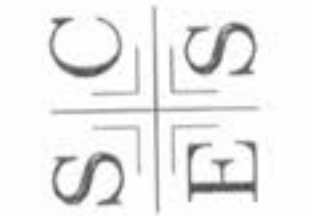
STANDARD - INLET STONES,  
BLOCKS & DESIGN DETAILS  
METROPOLITAN ST. LOUIS SEWER DISTRICT  
Standard Details of Sewer Construction  
DR. ROW/SAM  
CH. J.C.K.  
2000  
SHEET 45

NOTE: ALL SEWER STRUCTURES SHALL BE PRE-CAST.

05/24/05 REVISION PER CITY OF O'FALLON COMMENTS  
08/09/05 REVISION PER CITY OF O'FALLON COMMENTS

IMPROVEMENT PLANS  
ELK RIDGE  
STORM DETAILS 1

ST. CHARLES ENGINEERING & SURVEYING, INC.  
801 S. FIFTH STREET, SUITE 202  
ST. CHARLES, MO 63301  
TEL: (636) 947-0607 FAX: (636) 947-2448



ORDER NO.  
040486  
DATE  
04/15/05

D3