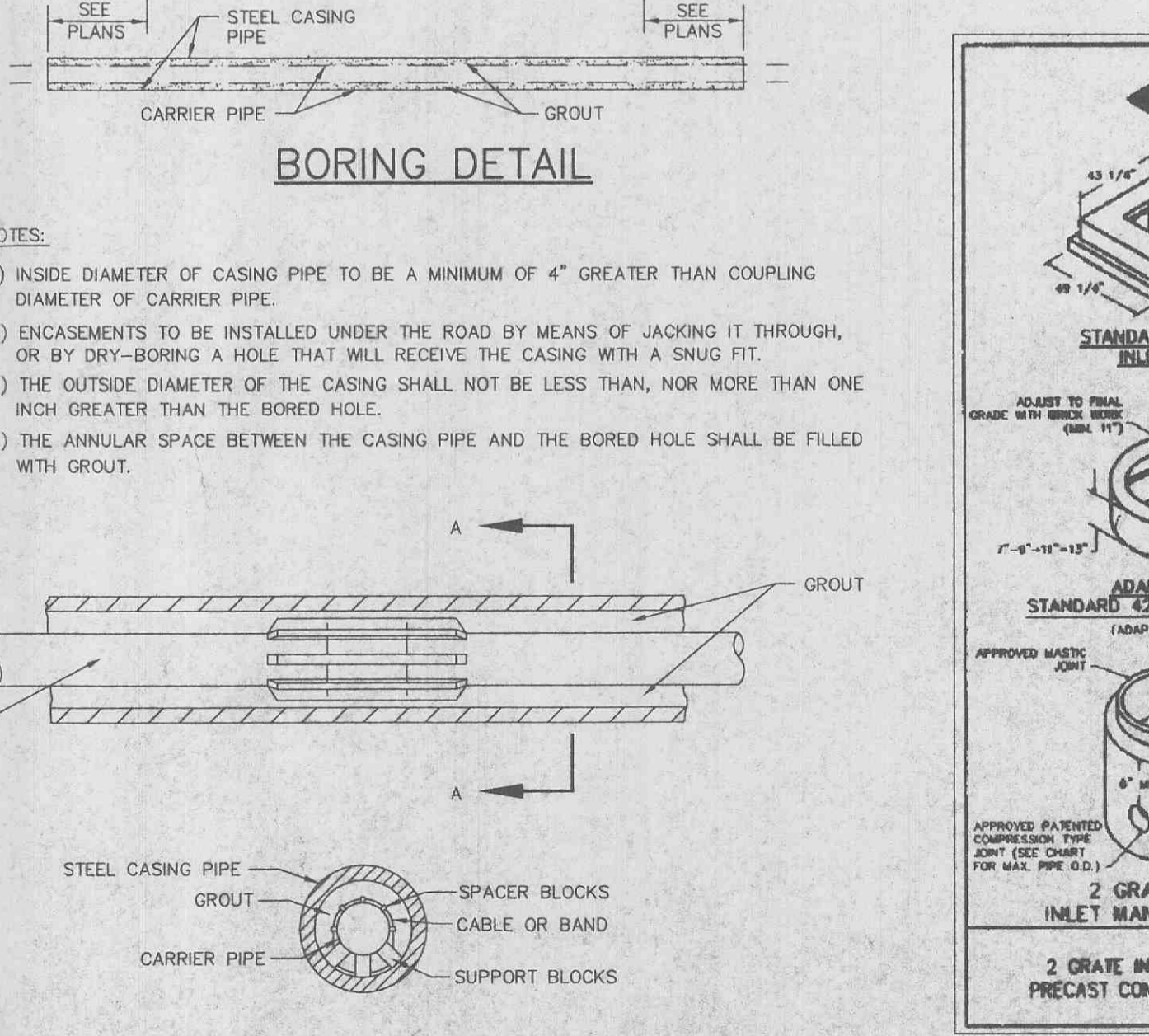
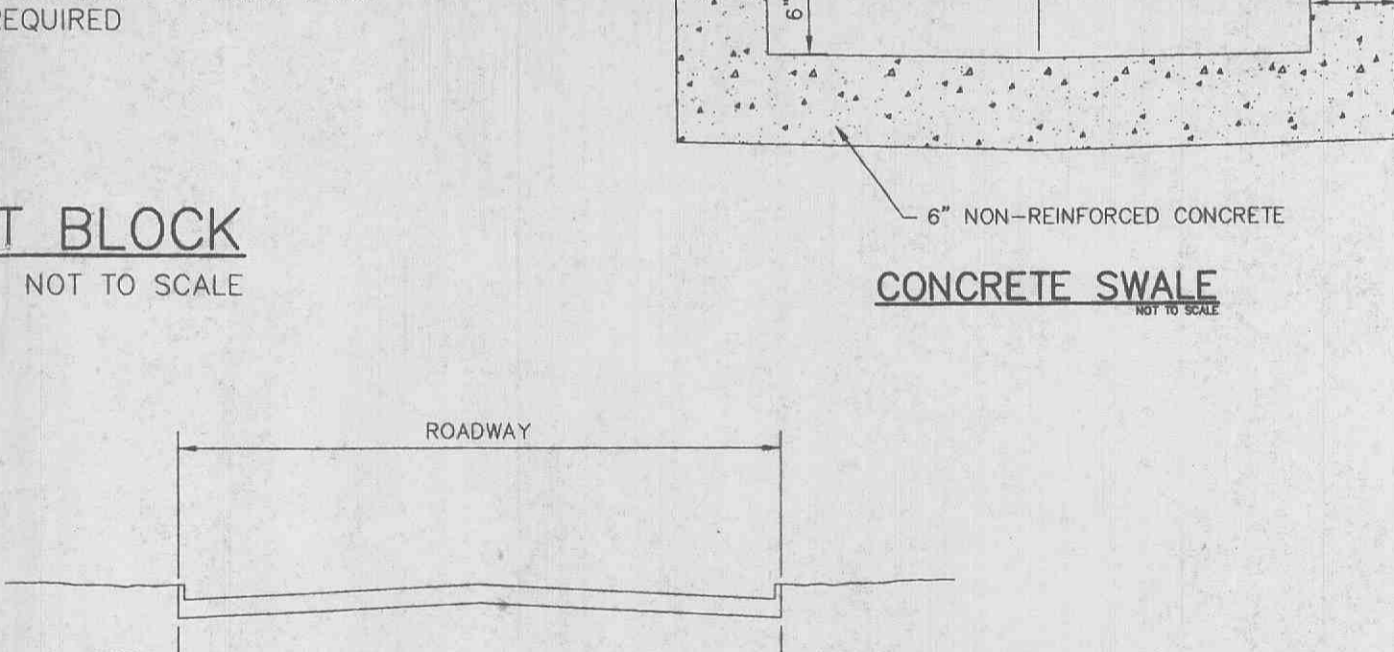
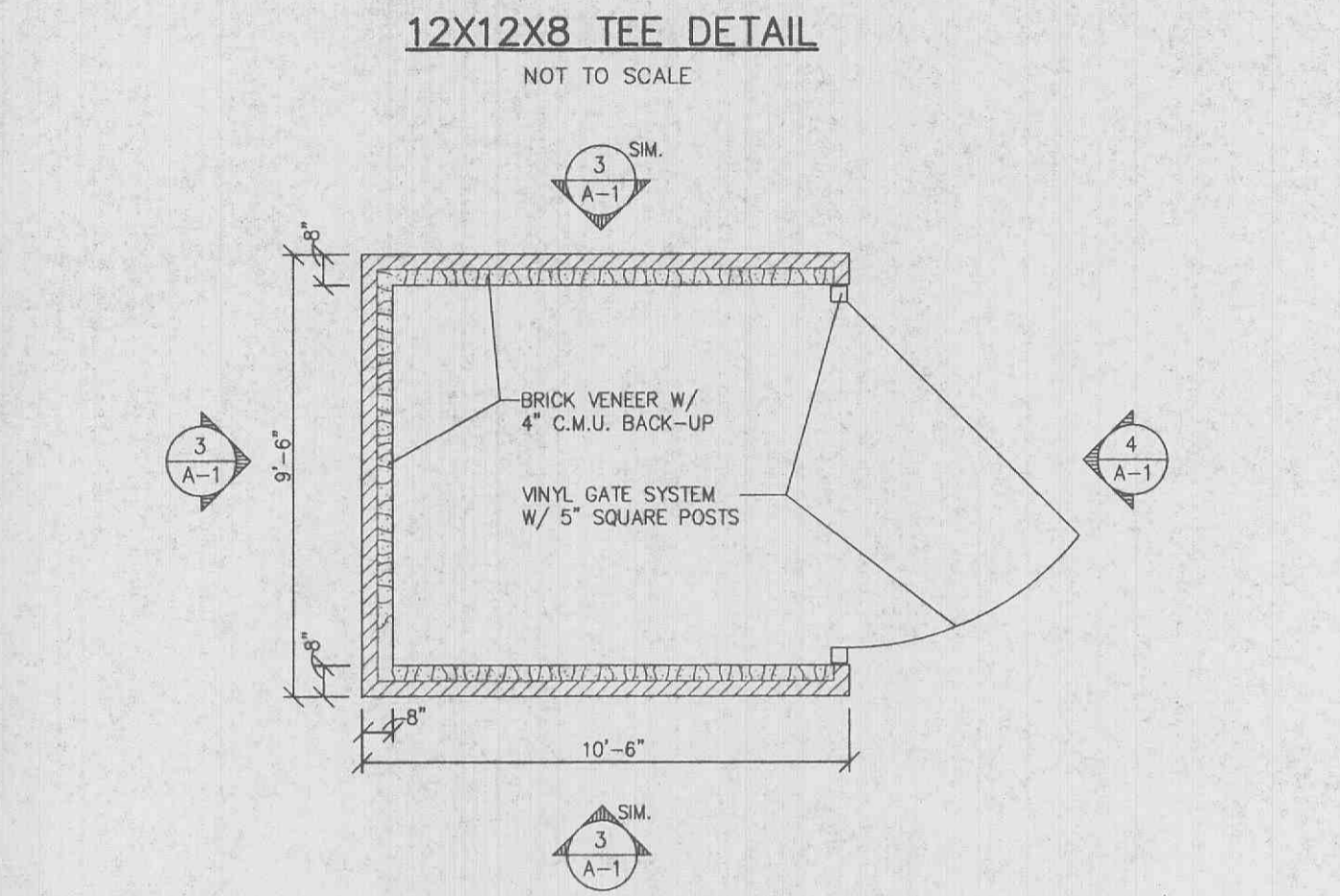
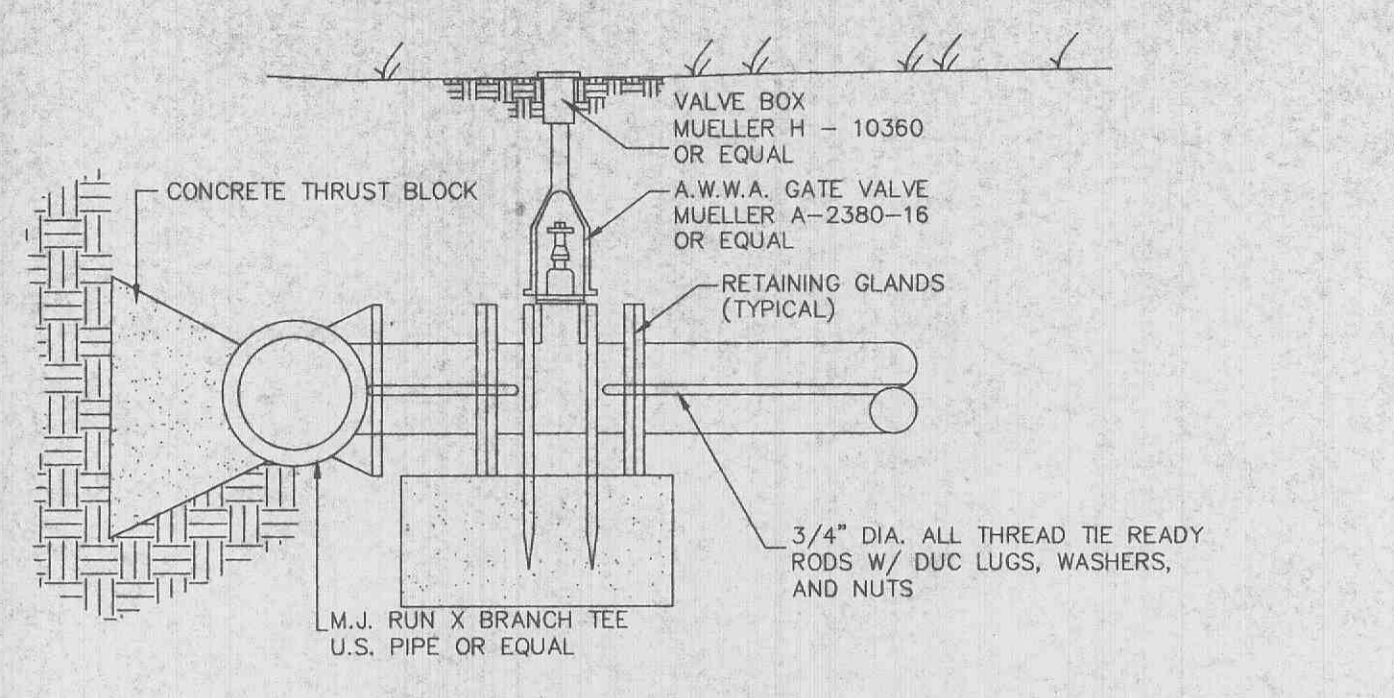
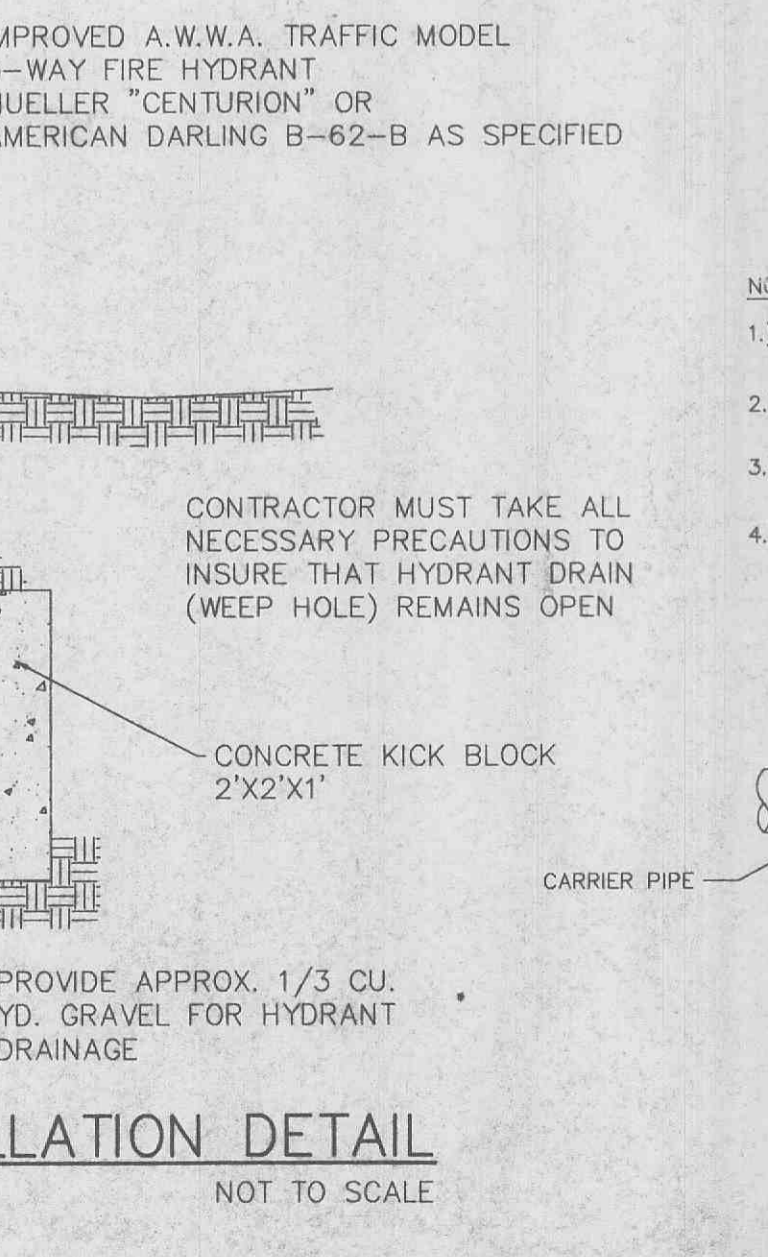
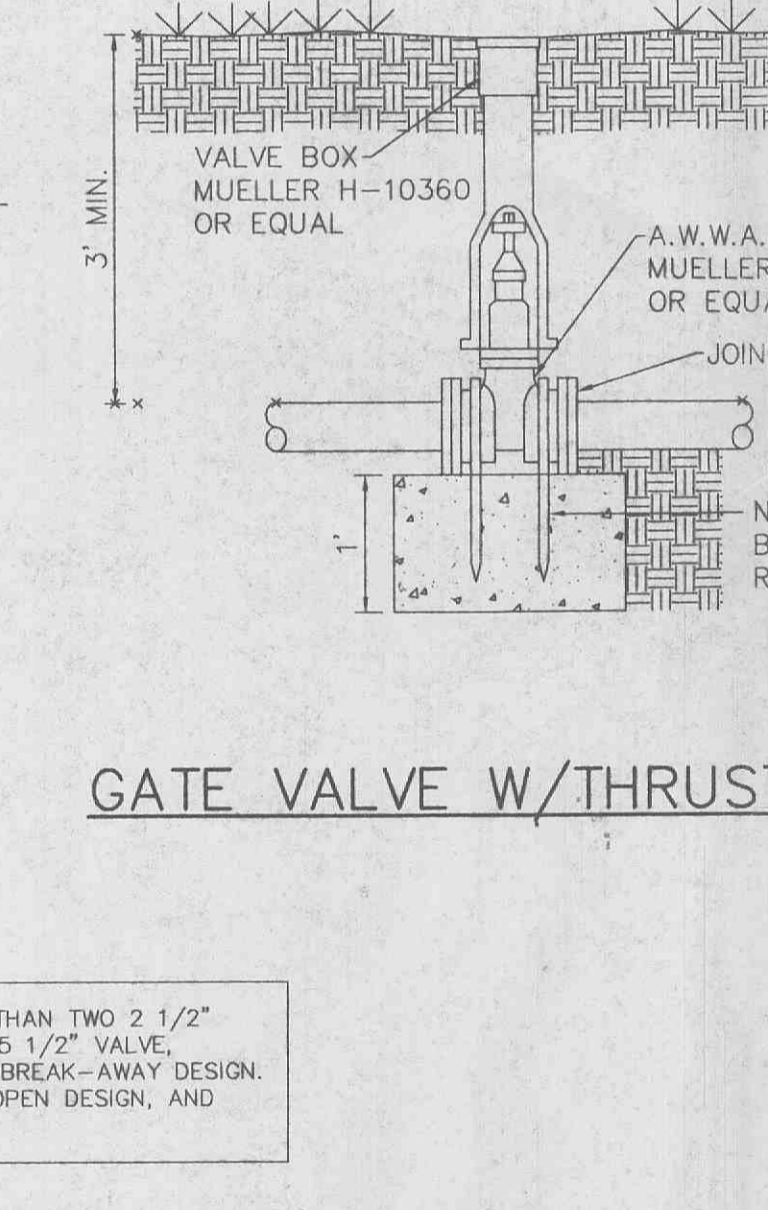
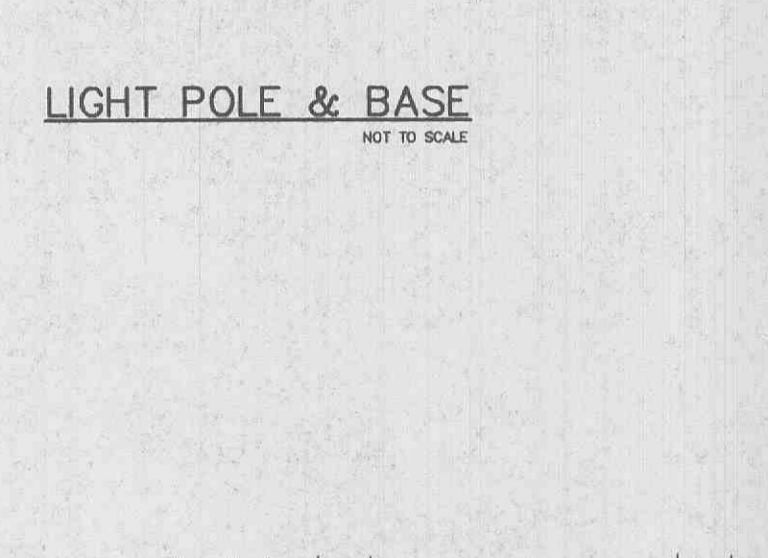
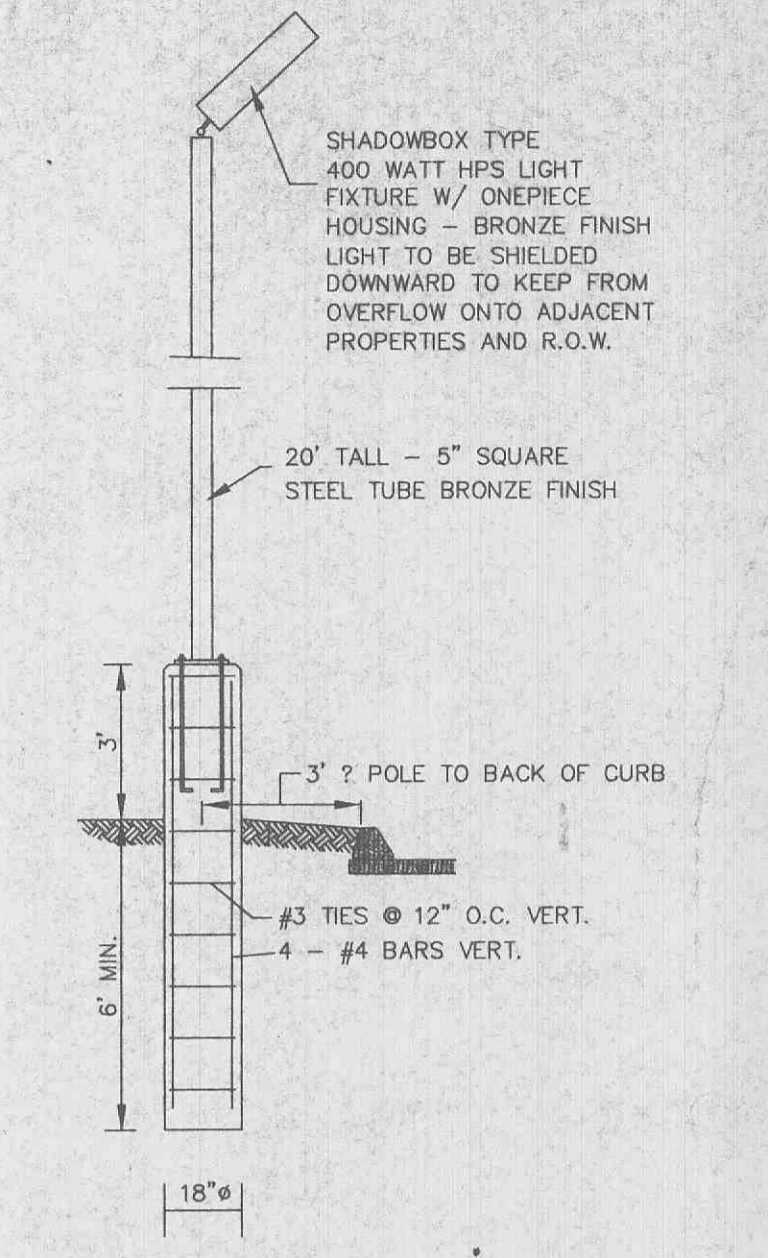
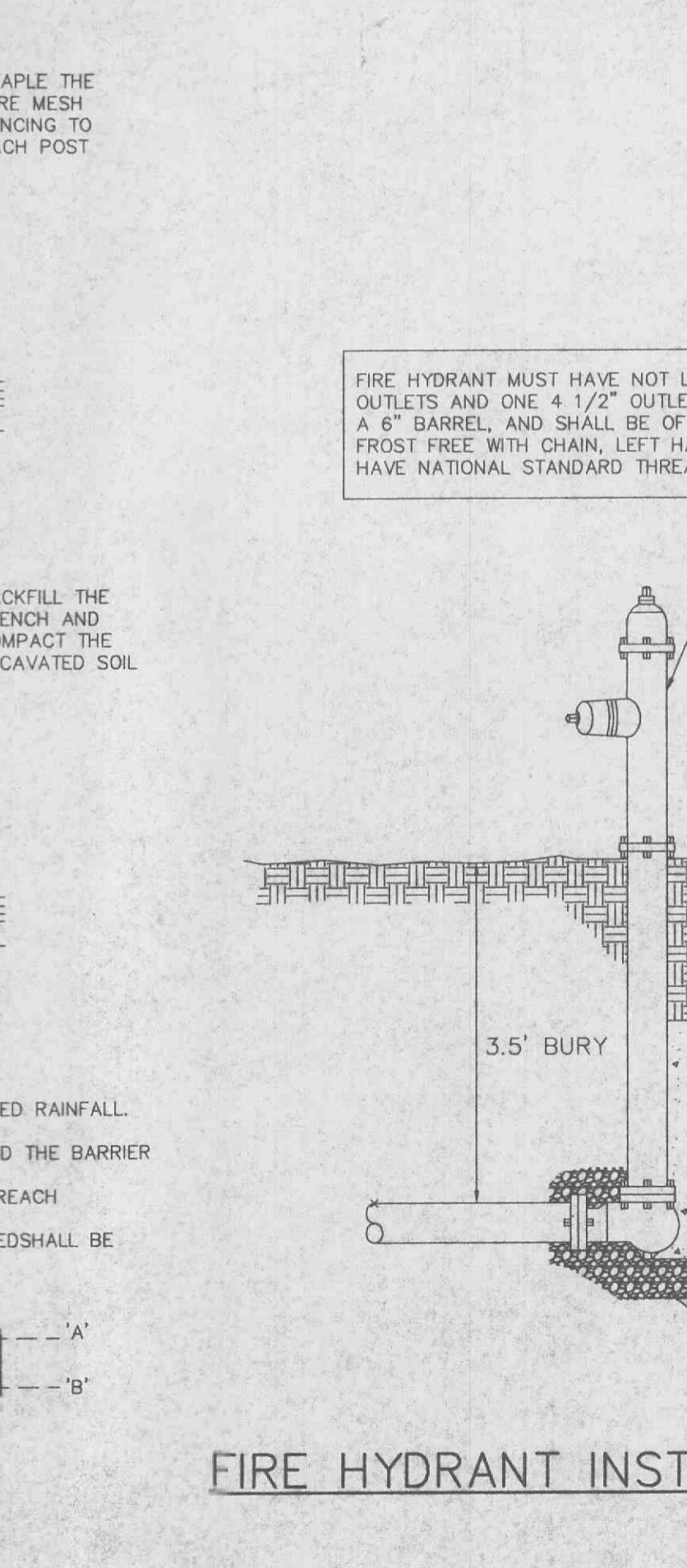
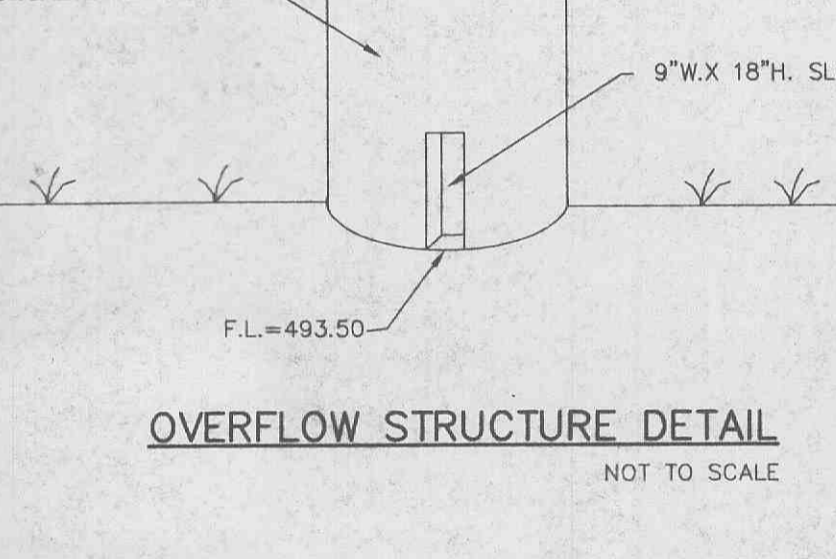
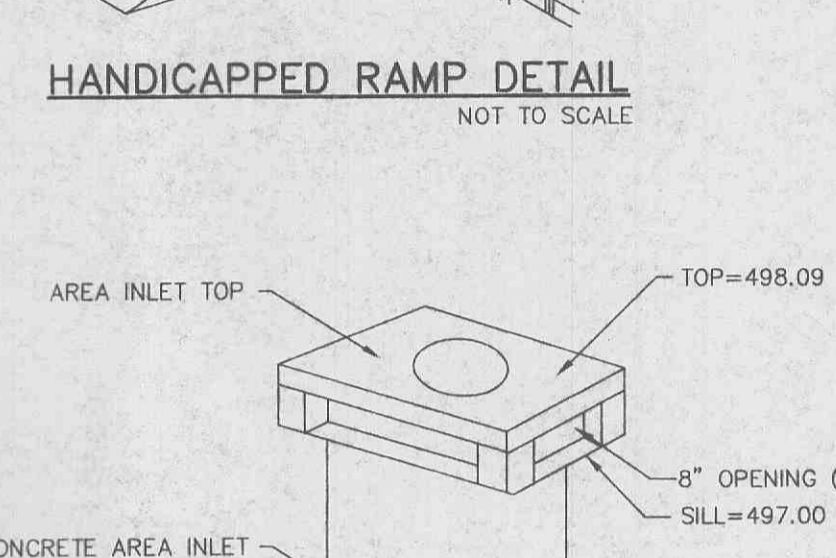
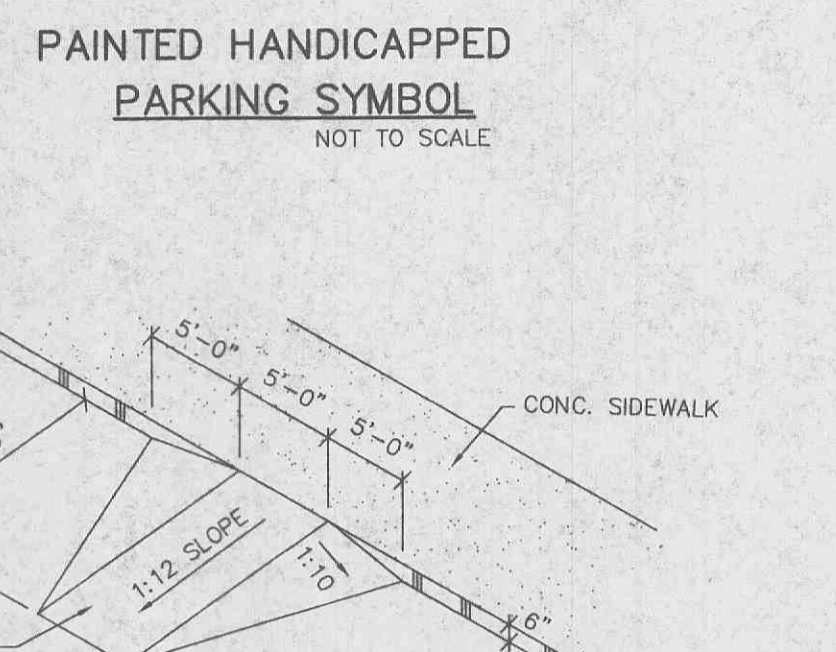
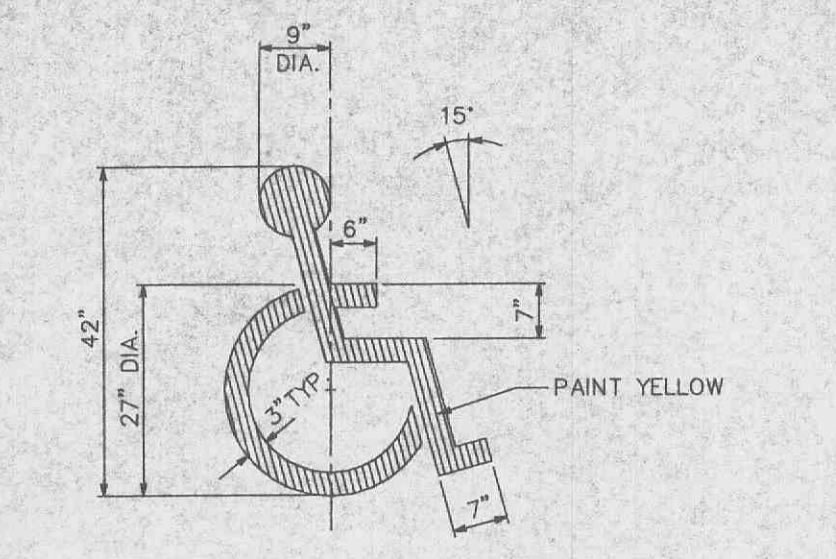
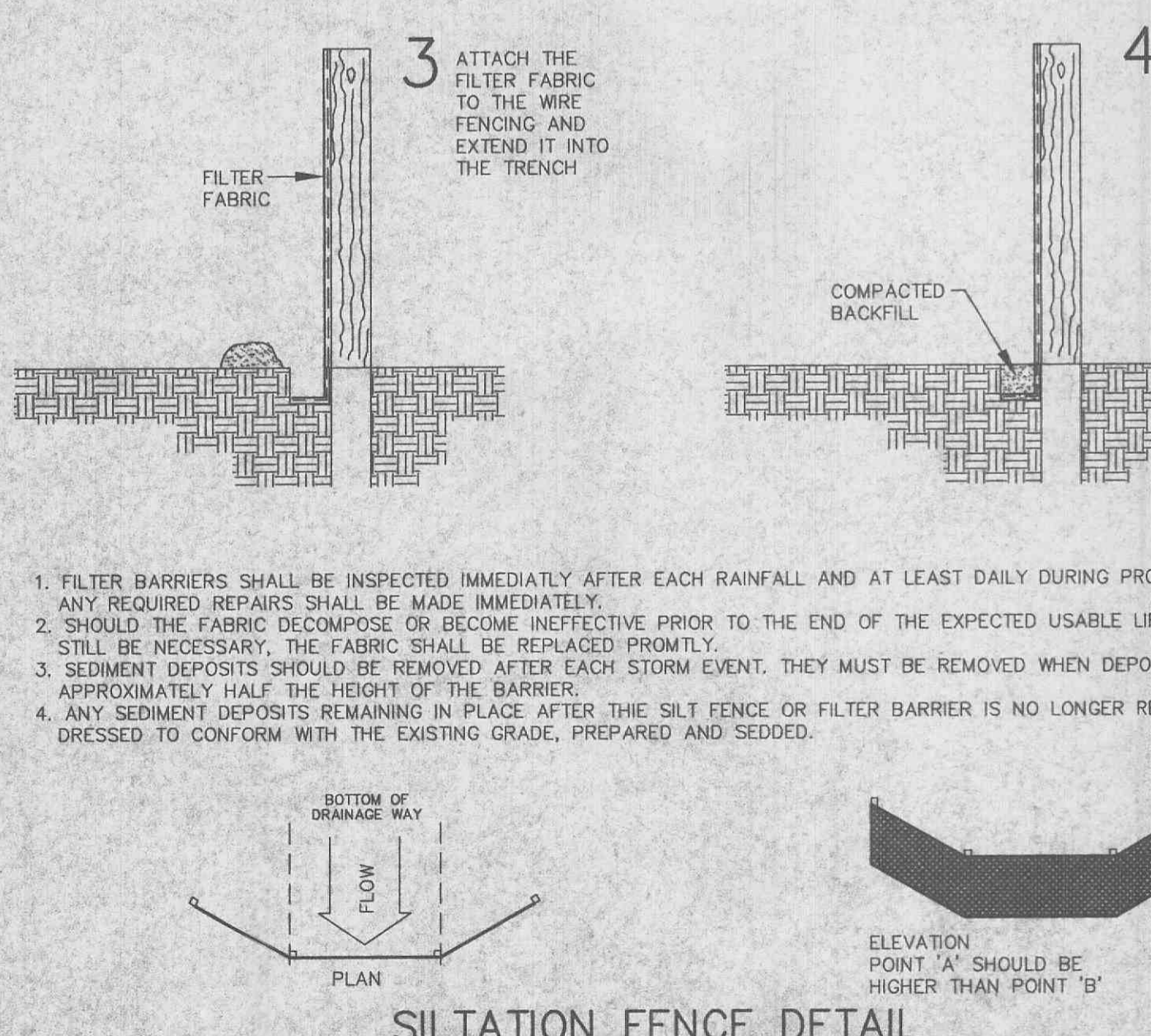
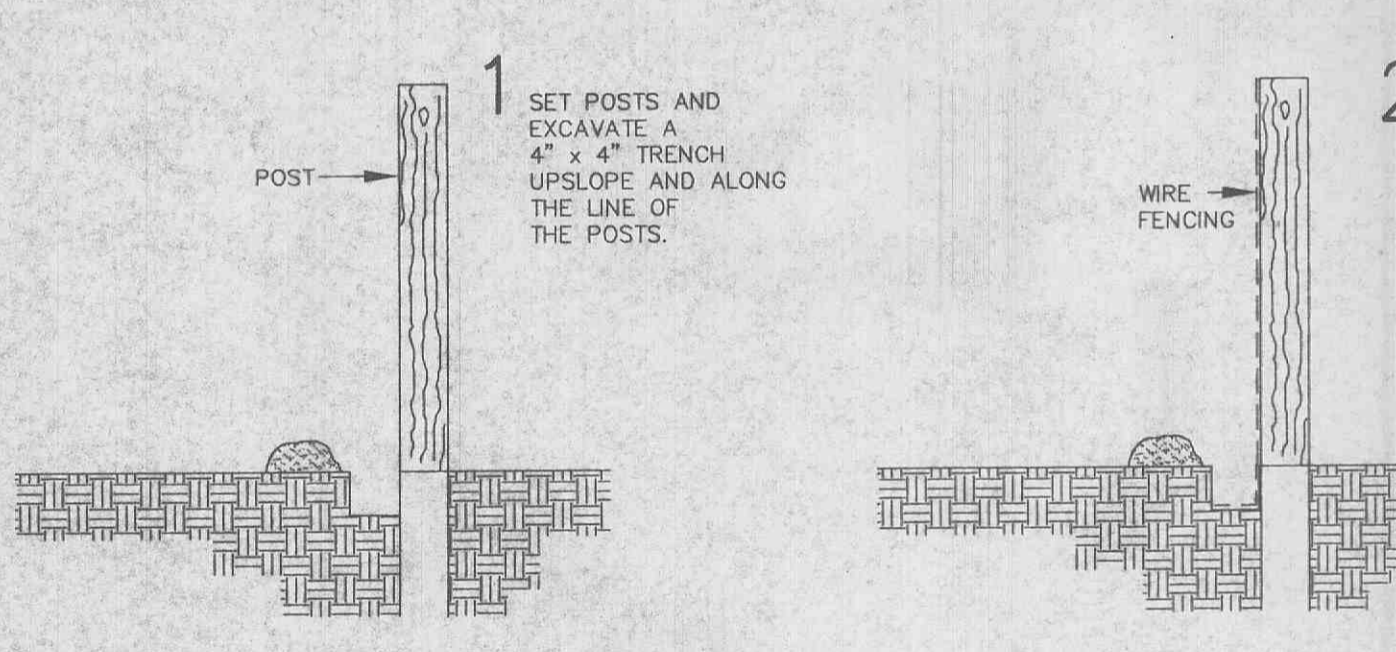
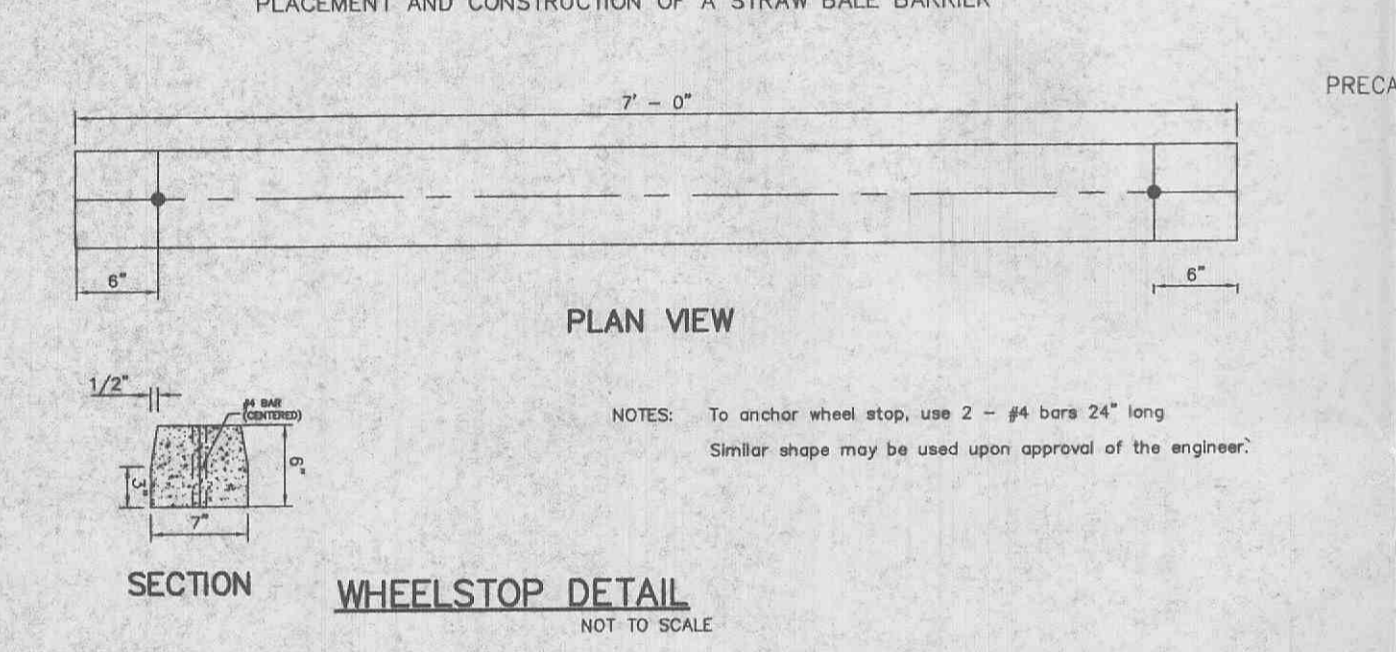
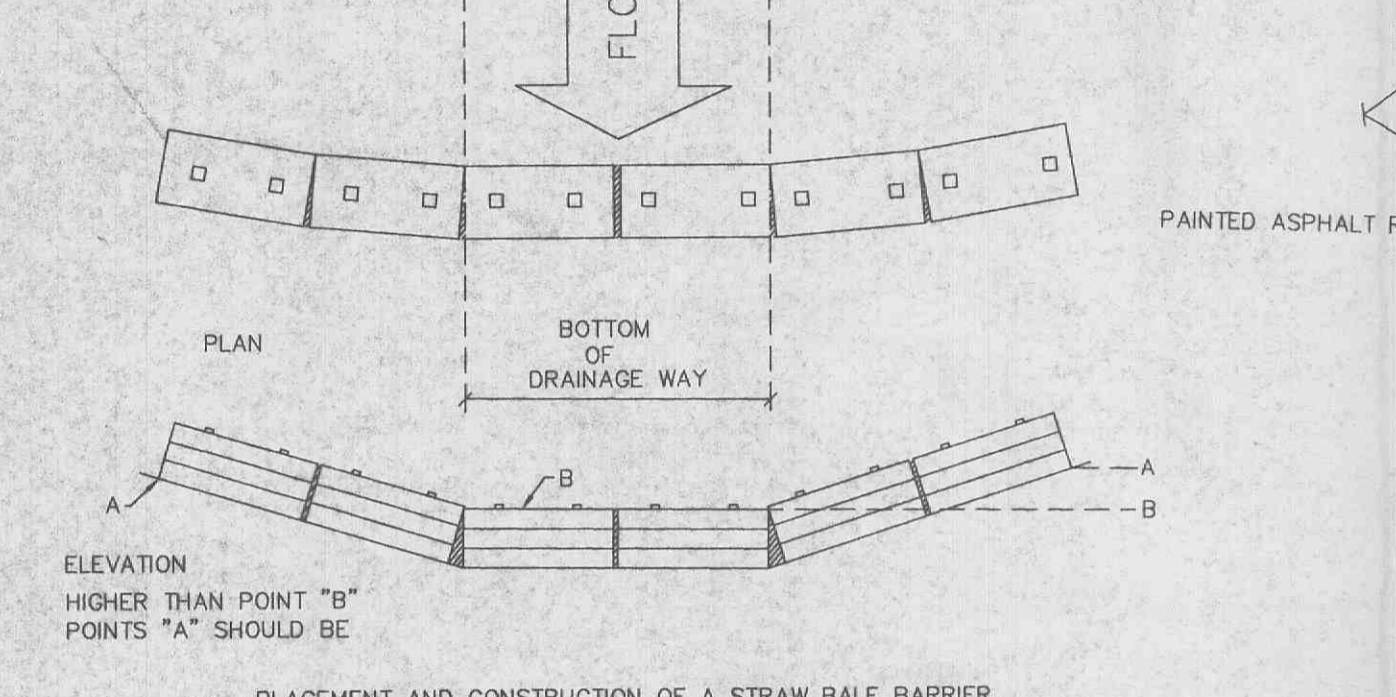
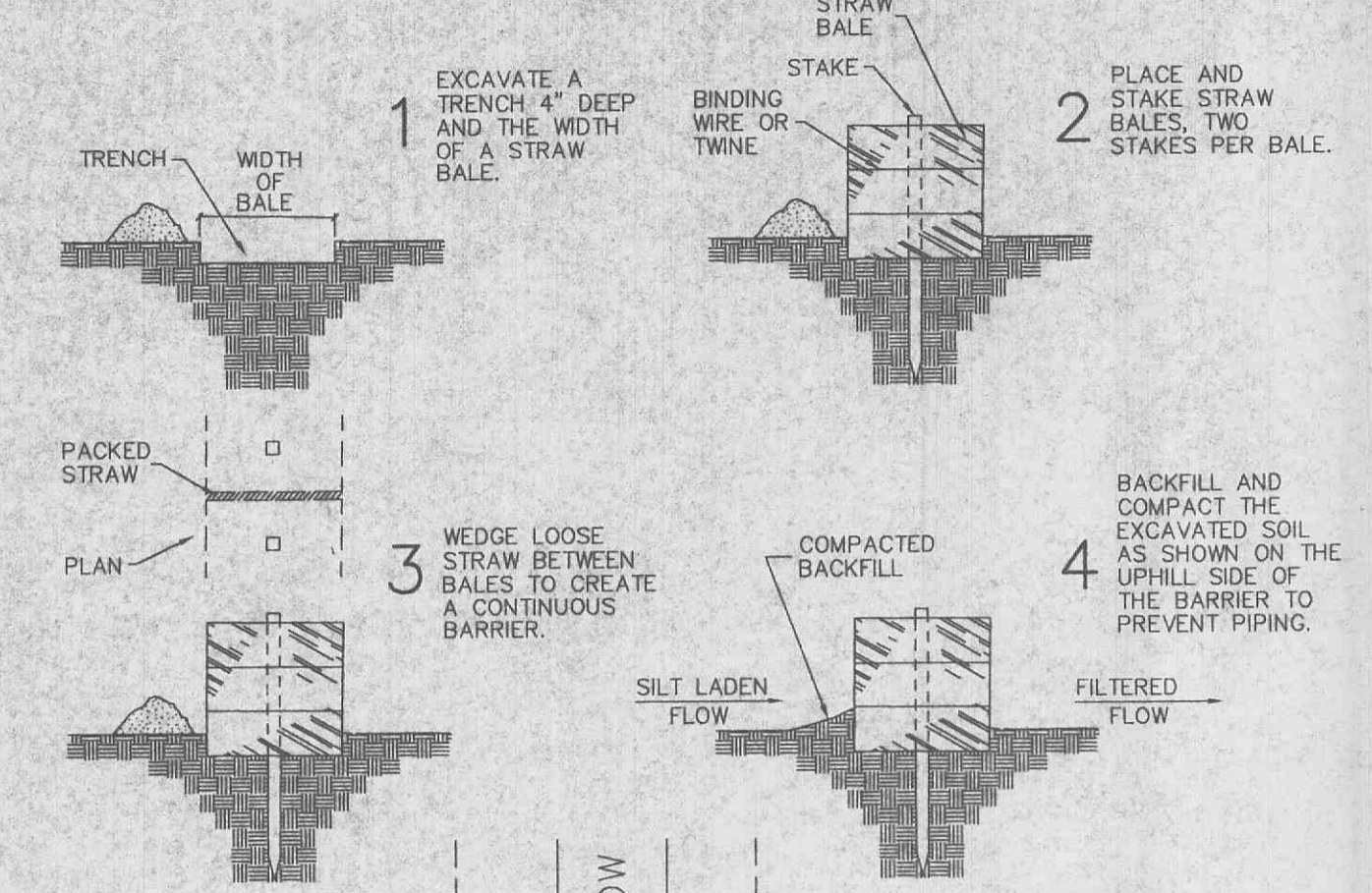
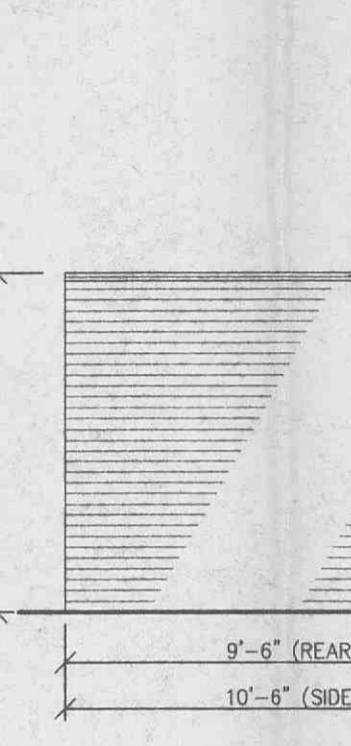


STRAW BALES BARRIERS FOR URBAN DEVELOPMENT SITES APPENDIX C

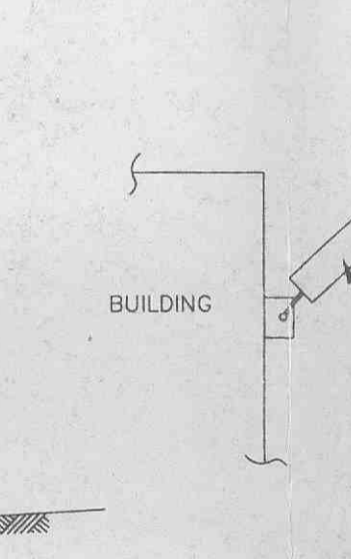


12' X 18' SIGN
STANDARD SIGN FACE, STANDARD HIGHWAY DEPARTMENT, OR CITY STREET DEPARTMENT GAUGE, BLACK OR BLUE LETTERING.
GALVANIZED STEEL POST 9'-6" LONG, SET 3'-0" INTO GRADE, SET BOTTOM OF SIGN 5'-0" ABOVE FINISHED GRADE

HANDICAP PARKING SIGN NOT TO SCALE

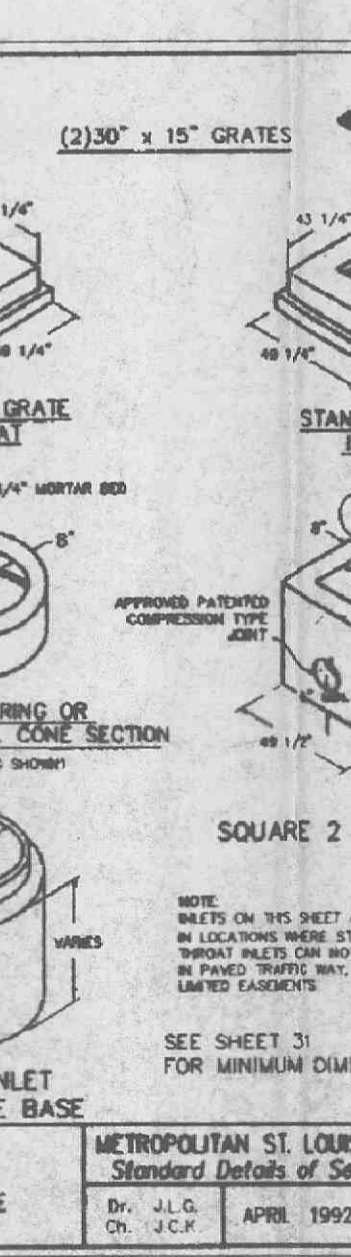


REAR & SIDE VIEW OF TRASH ENCLOSURE N.T.S.



BUILDING MOUNTED LIGHT NOT TO SCALE

MAIN SIZE (I.D.)	MIN. THRUST BLOCK BEARING DIMENSIONS TO BEAR AGAINST UNDISTURBED EARTH				
	45° BEND	22 1/2° BEND	TEE	VALVE	CROSS
2"	5' x 1'	5' x 1'	5' x 1'	5' x 1'	5' x 1'
4"	1' x 1'	2' x 1'	2' x 1'	2' x 1'	1' x 1'
6"	1.5' x 1'	1' x 1'	2' x 1'	2' x 1'	1' x 1'
8"	2' x 1'	1' x 1'	2' x 2.5'	2' x 2'	1' x 1.5'
10"	2' x 2.5'	1.5' x 2'	2' x 3.5'	2' x 3'	2' x 2'
12"	2' x 3.5'	1.5' x 2.5'	3' x 3.5'	3' x 3'	2' x 3'
16"	3' x 4'	2' x 3'	4' x 4.5'	3' x 4.5'	3' x 3.5'

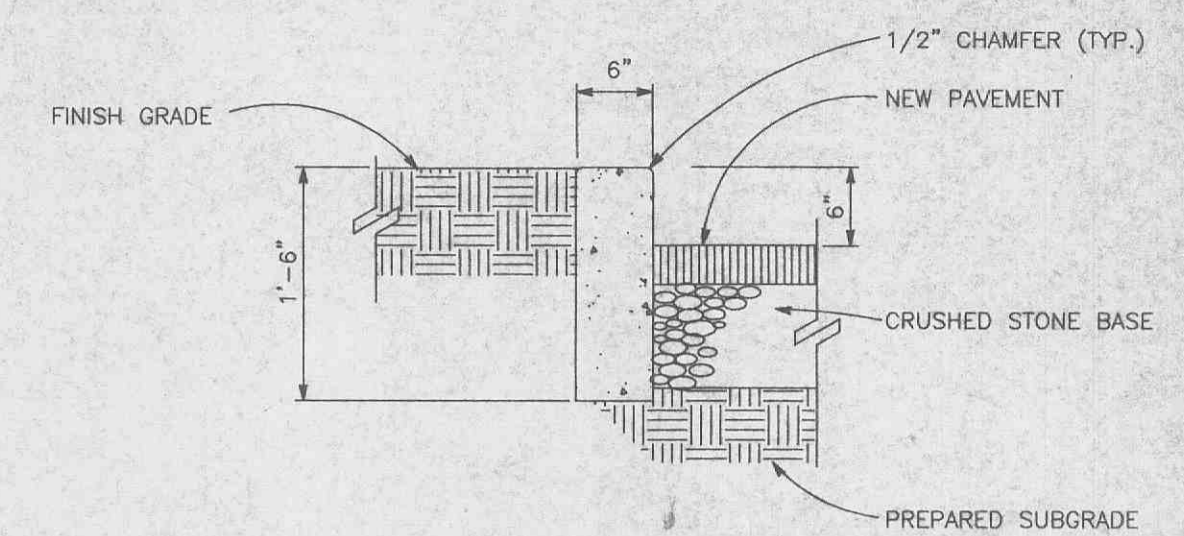


2 GRATE INLETS PRECAST CONCRETE

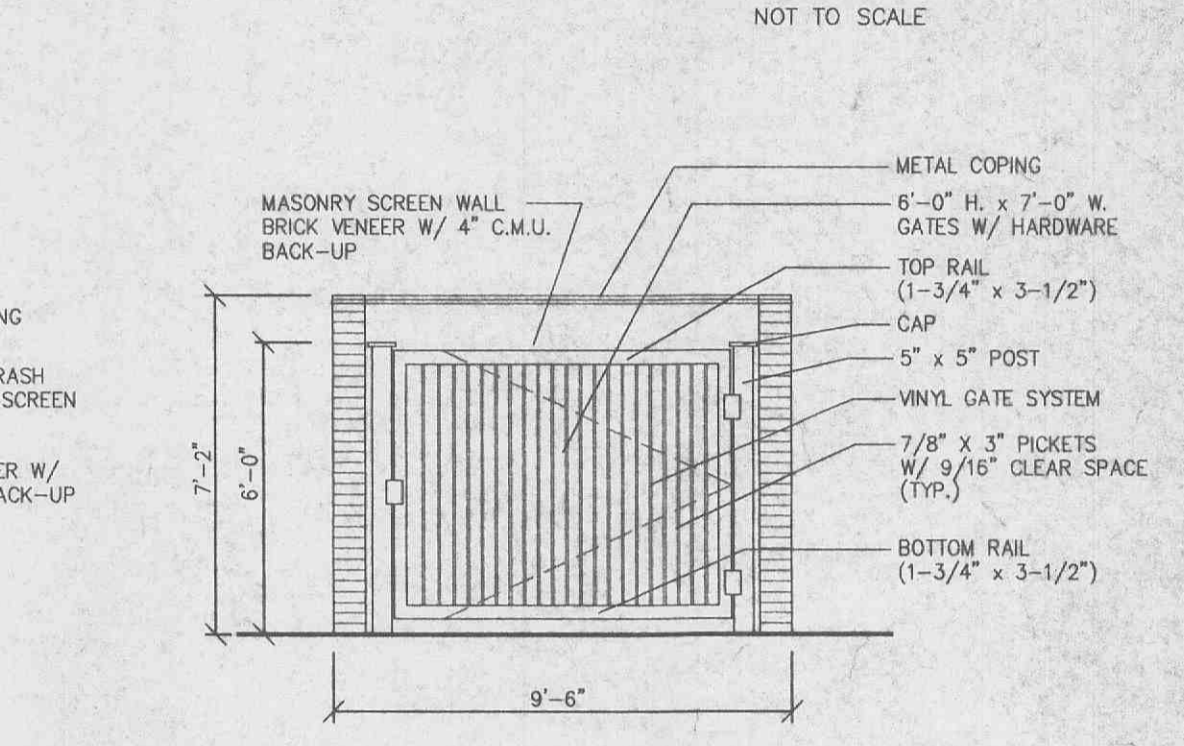
METROPOLITAN ST. LOUIS SEWER DISTRICT
Standard Details of Sewer Construction
Dr. J.L.C. Cr. J.C.F. APRIL 1992 SHEET 33

A DETAIL SHEET FOR ELKS LODGE

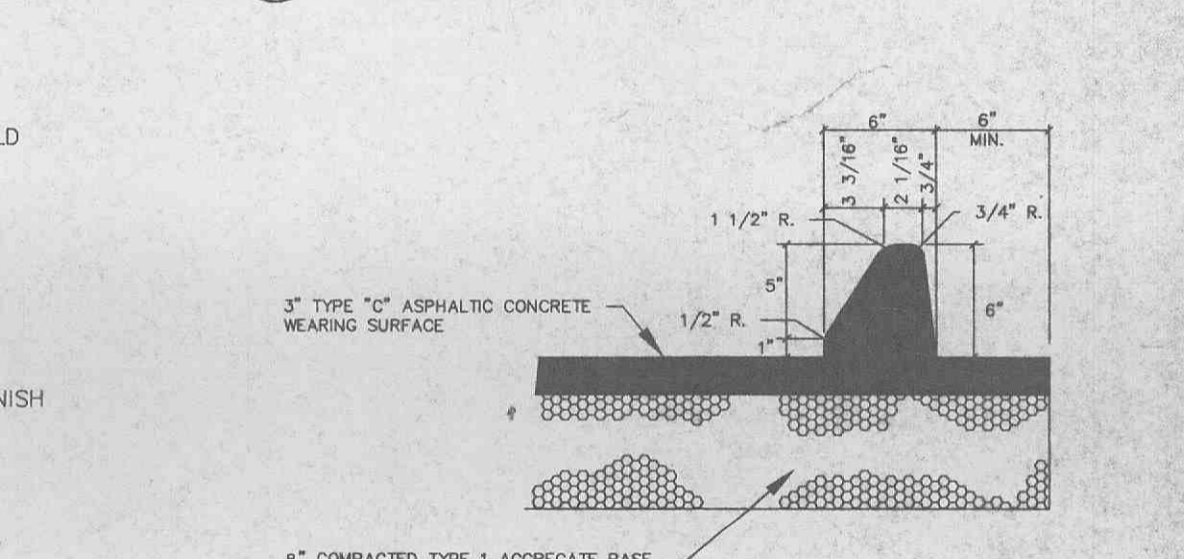
12-14-99 REV. 1-31-00 PER CITY OF FALLON COMMENTS 97-9203M



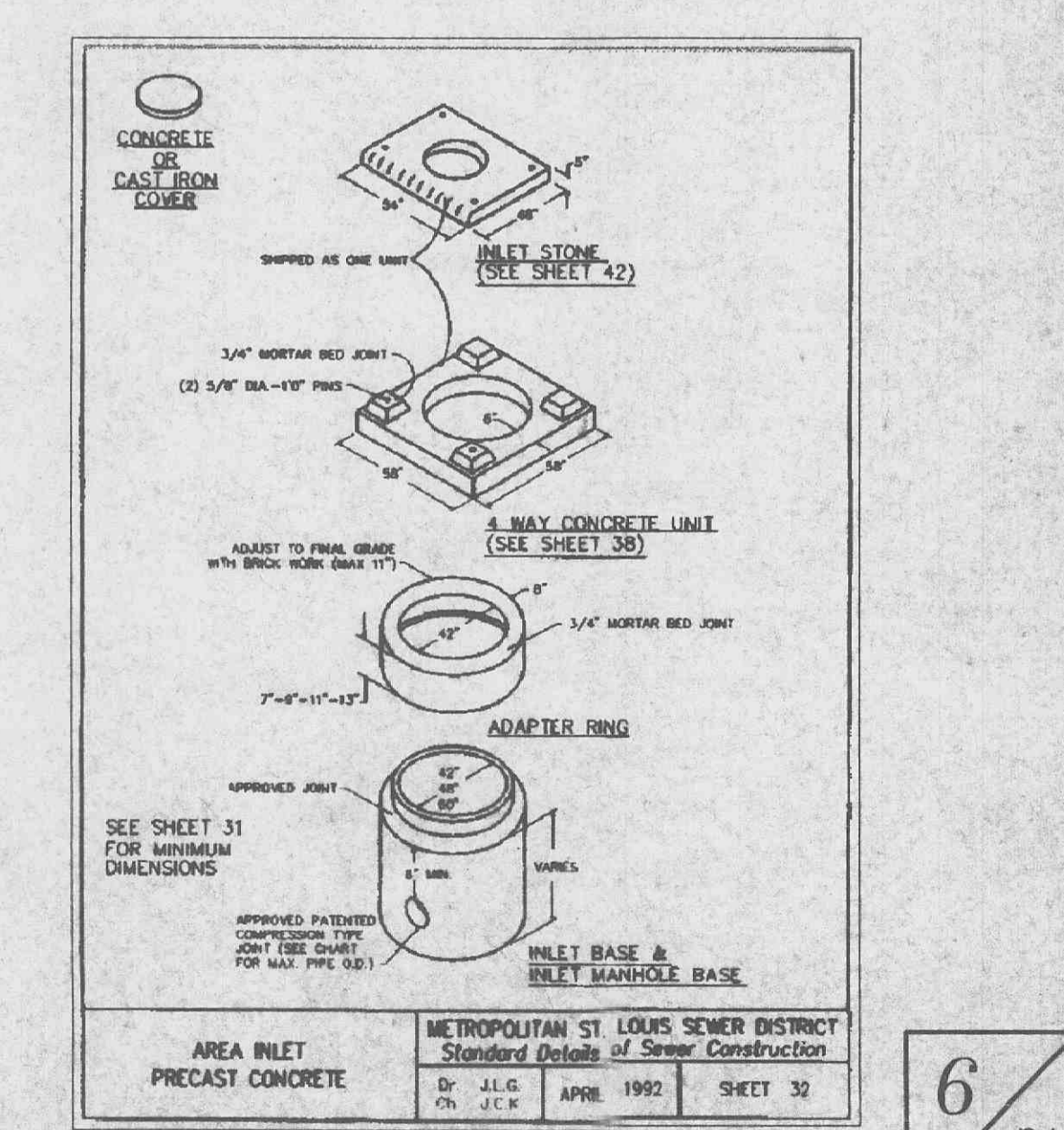
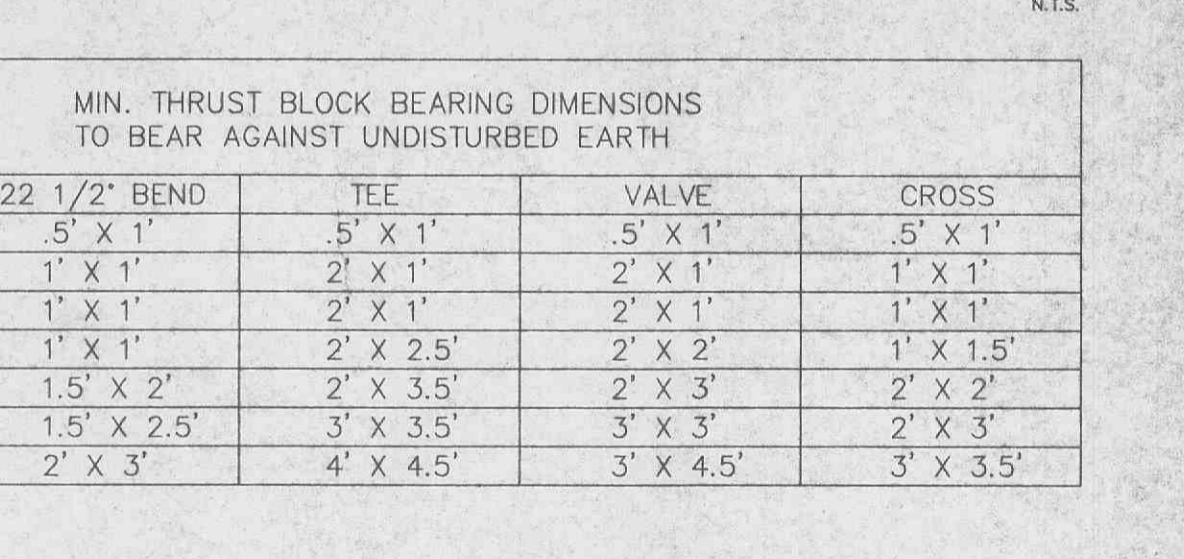
CONCRETE CURB DETAIL NOT TO SCALE



ELEV. AT TRASH ENCLOSURE GATE N.T.S.



TEMPORARY ASPHALT CURB DETAIL N.T.S.



METROPOLITAN ST. LOUIS SEWER DISTRICT
Standard Details of Sewer Construction
Dr. J.L.C. Cr. J.C.F. APRIL 1992 SHEET 32