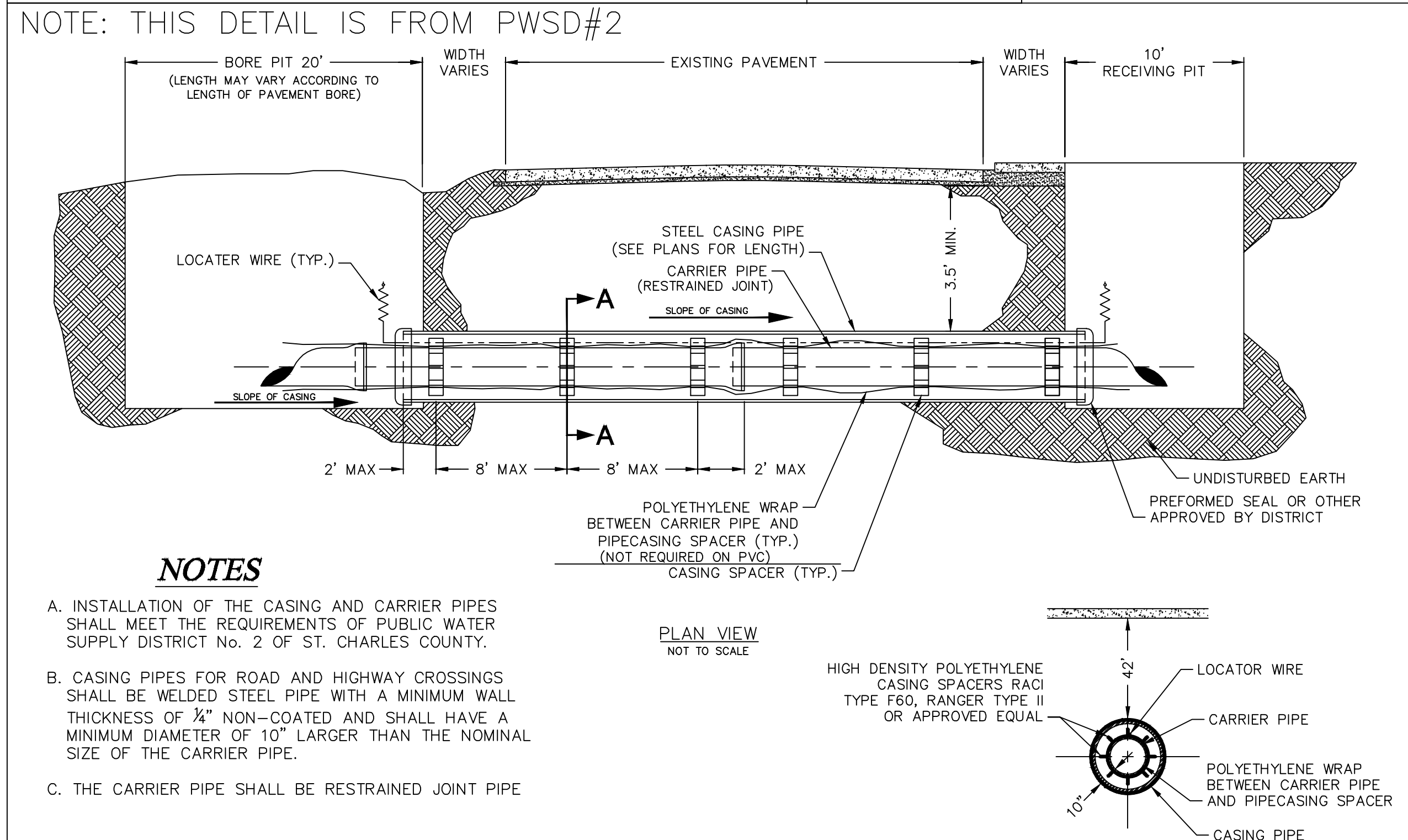


MSD Type 5 Rock Blanket (% By Weight Passing)

Sieve	Maximum	Minimum
12 inch	90	70
6 inch	30	10
1/2 inch	5	0

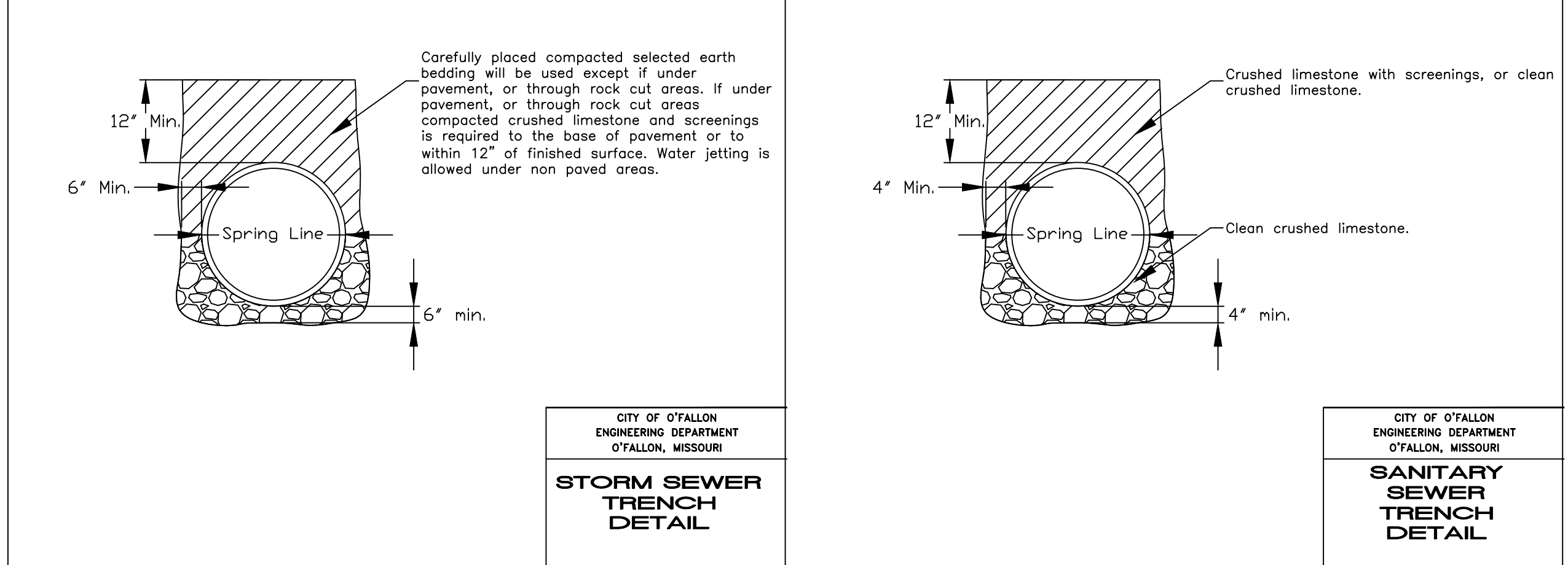
CITY OF O'FALLON
ENGINEERING DEPARTMENT
O'FALLON, MISSOURI

SEWER CONSTRUCTION DETAILS
FLARED END SECTION
(INLET/OUTLET PROTECTION)



FOR SANITARY SEWER BORES, SEE THE MSD DETAIL

TYPICAL WATER BORE AND ENCASEMENT DETAIL "H"



CITY OF O'FALLON
ENGINEERING DEPARTMENT
O'FALLON, MISSOURI

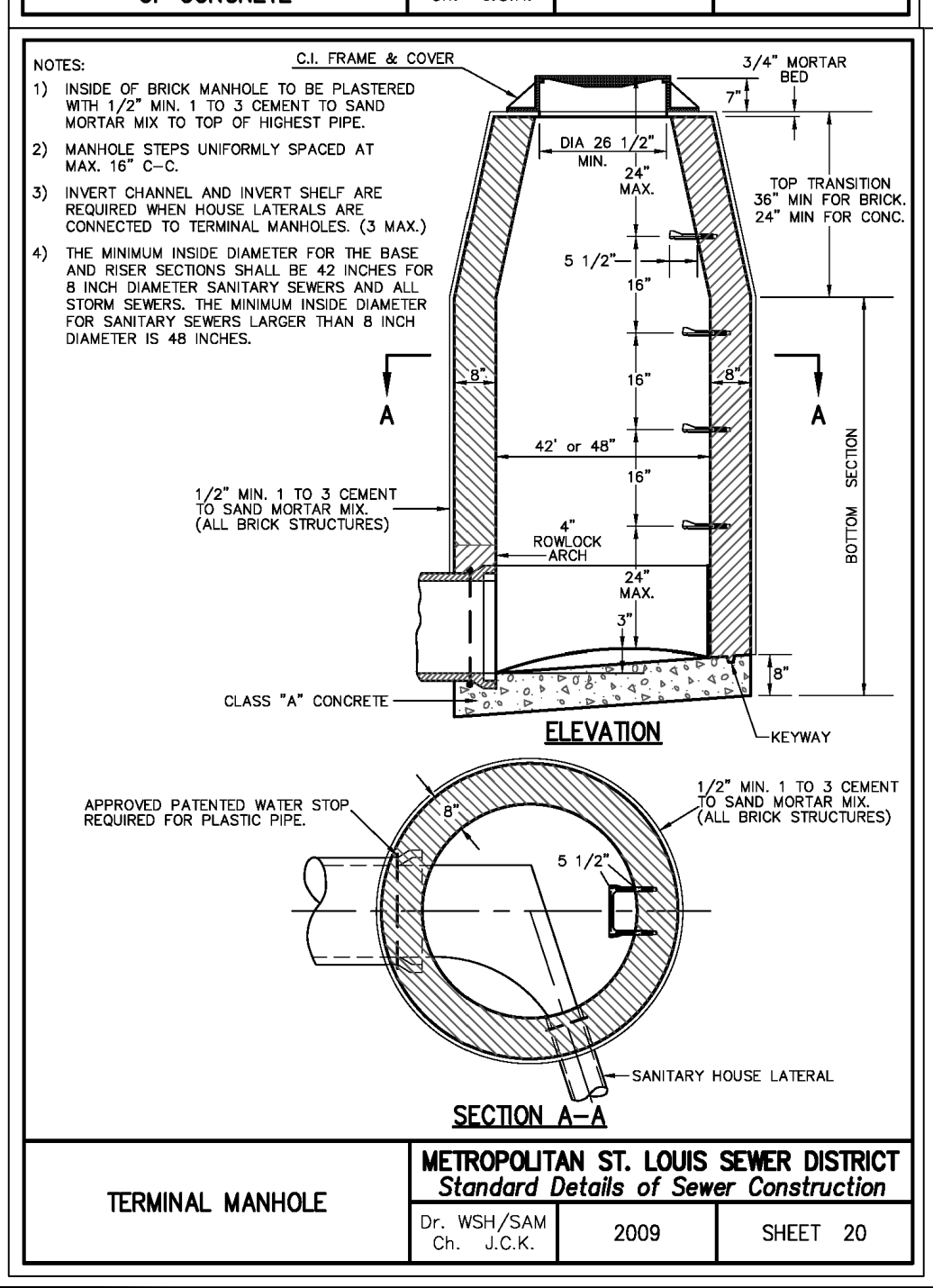
STORM SEWER TRENCH DETAIL

CITY OF O'FALLON
ENGINEERING DEPARTMENT
O'FALLON, MISSOURI

SANITARY SEWER TRENCH DETAIL

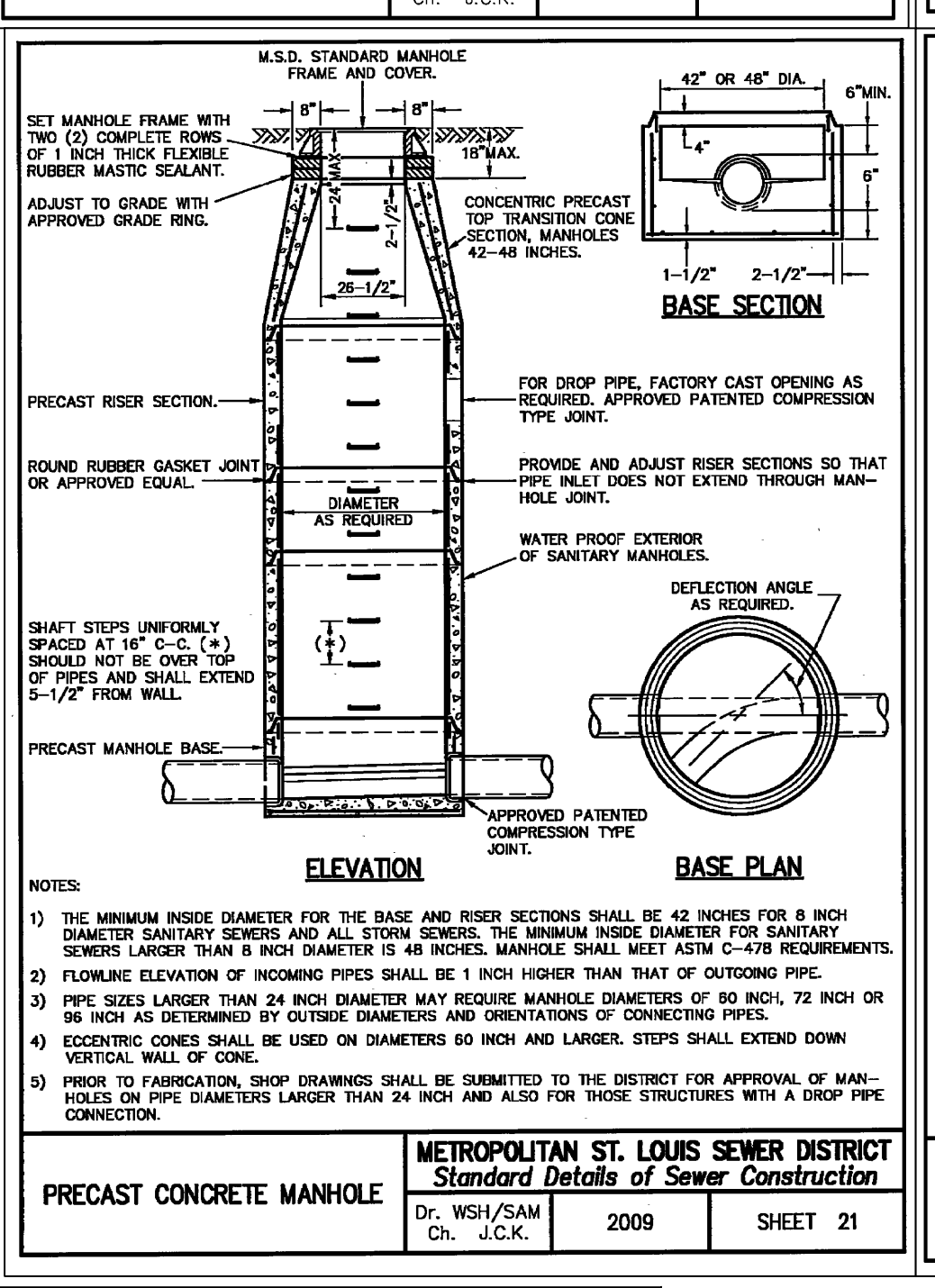
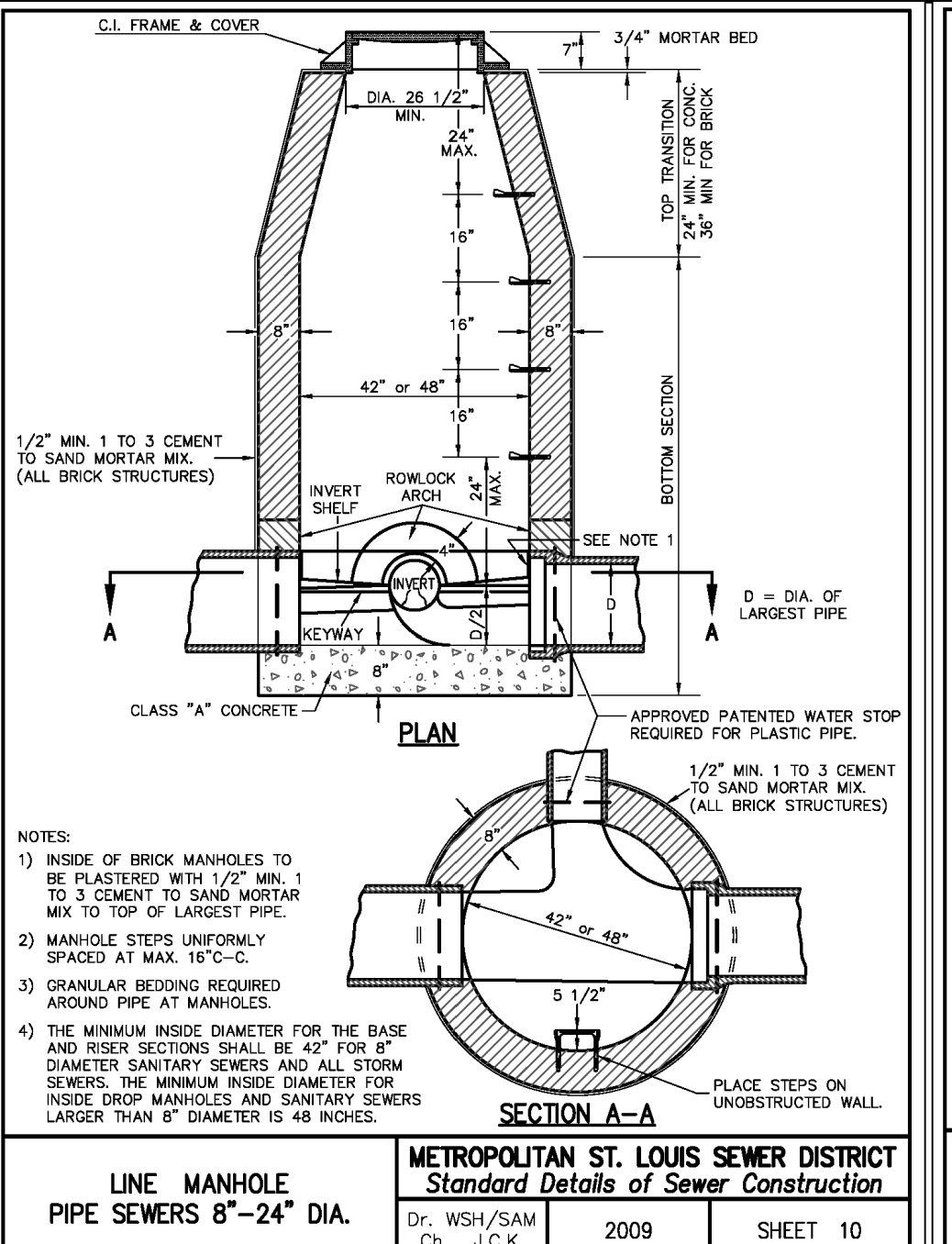
* All other Storm or Sanitary Sewer Details will be by M.S.D. Standards and Specifications.
** All inlets shall have 5/8" trash bar centered with the opening(s).

ROUND PIPE				HORIZONTAL ELLIPTICAL PIPE			
INSIDE DIAMETER OF PIPE (INCHES)	"W" PAYLINE WIDTH OF TRENCH (INCHES)	"W" PAYLINE WIDTH OF TRENCH (FEET)	PAY-VOLUMES CU. FT. PER FT.	INSIDE DIMENSIONS OF PIPE (INCHES)	"W" PAYLINE WIDTH OF TRENCH (INCHES)	"W" PAYLINE WIDTH OF TRENCH (FEET)	PAY-VOLUMES CU. FT. PER FT.
4	30	2.50	3.28				
6	30	2.50	3.28				
8	30	2.50	3.28				
10	30	2.50	4.09				
12	30	2.50	4.25				
15	36	3.00	5.55				
18	36	3.00	5.77	14 x 23	41	3.42	5.94
21	39	3.25	6.61				
24	42	3.50	7.39	19 x 30	49	4.08	7.68
27	45	3.75	8.18	22 x 34	53	4.42	8.61
30	48	4.08	9.30	24 x 38	58	4.83	9.70
33	53	4.42	10.53	27 x 42	62	5.17	10.71
36	56	4.67	11.43	29 x 45	66	5.50	11.72
39	61	5.00	12.61	32 x 49	71	5.92	13.14
42	63	5.25	13.38	34 x 53	75	6.25	14.05
48	70	5.83	15.67	38 x 60	83	6.92	16.18
54	77	6.42	18.15	43 x 68	92	7.67	18.81
60	84	7.00	20.73	48 x 76	101	8.42	21.59
66	91	7.58	23.45	53 x 83	109	9.08	24.35
72	98	8.17	26.37	58 x 91	118	9.83	27.45
78	105	8.75	29.39	63 x 98	126	10.50	30.50
84	112	9.33	32.57	68 x 106	135	11.25	33.91
90	119	9.92	35.90	72 x 113	143	11.92	36.99
96	126	10.50	39.37	77 x 121	152	12.67	40.69
102	133	11.08	42.99	82 x 128	160	13.33	44.45
108	140	11.67	46.75	87 x 136	168	14.00	47.79
114	147	12.25	50.66	92 x 143	176	14.67	51.70
120	154	12.83	54.72	97 x 151	185	15.42	56.01
126	161	13.42	58.92				
132	168	14.00	63.27	106 x 166	202	16.83	64.48
144	182	15.17	72.40	116 x 180	218	18.17	73.59



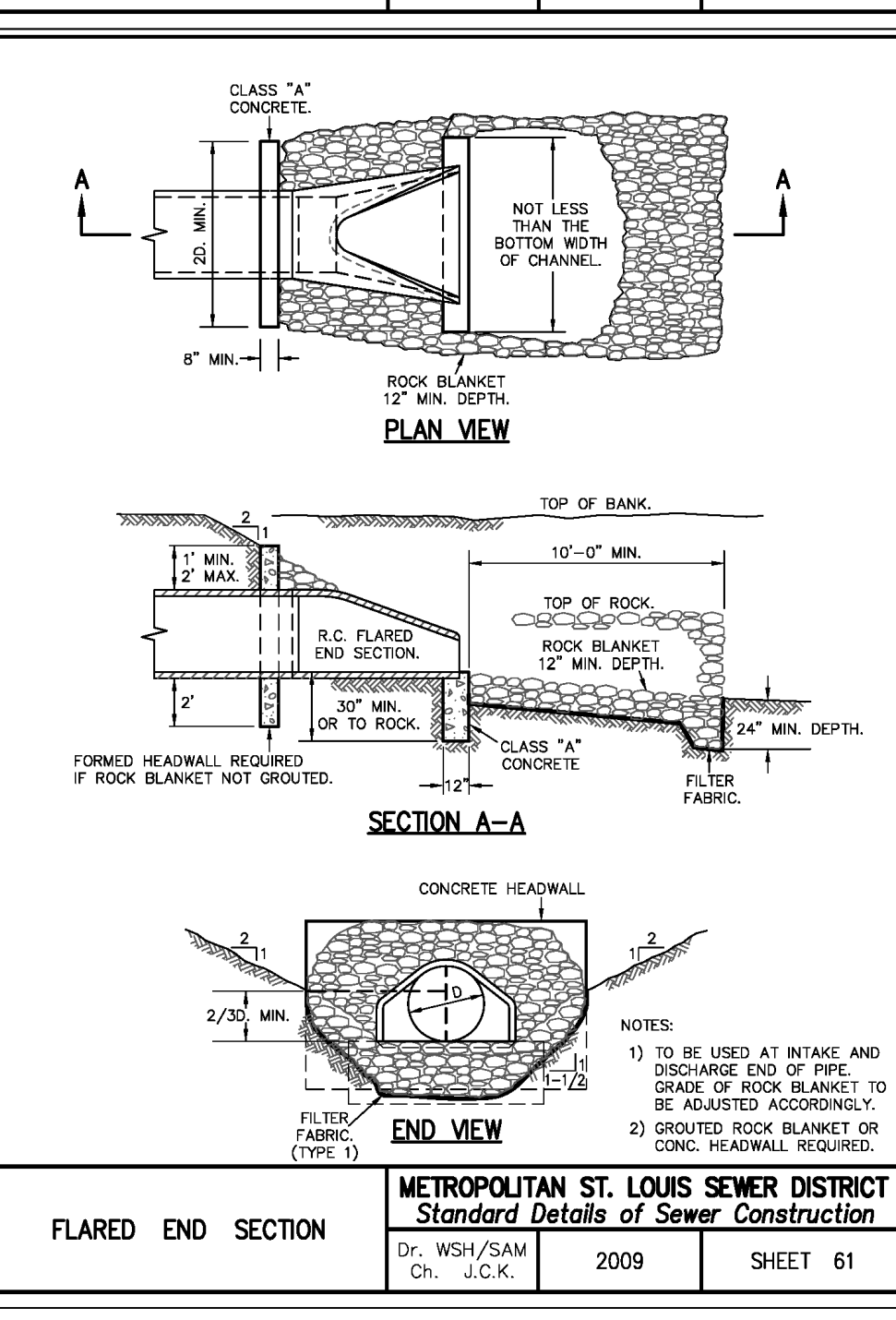
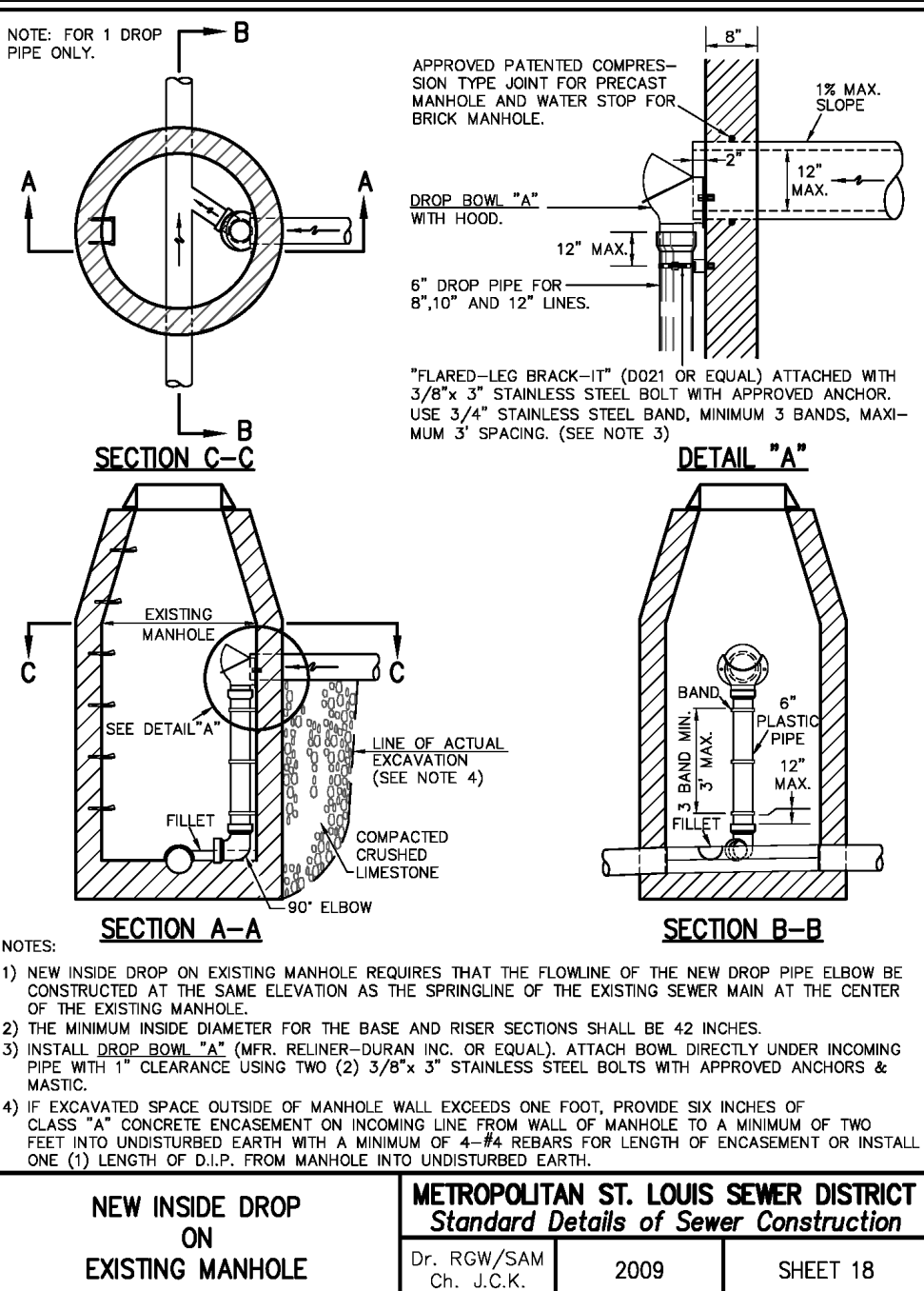
TERMINAL MANHOLE

Dr. WSH/SAM Ch. J.C.K. 2009 SHEET 20



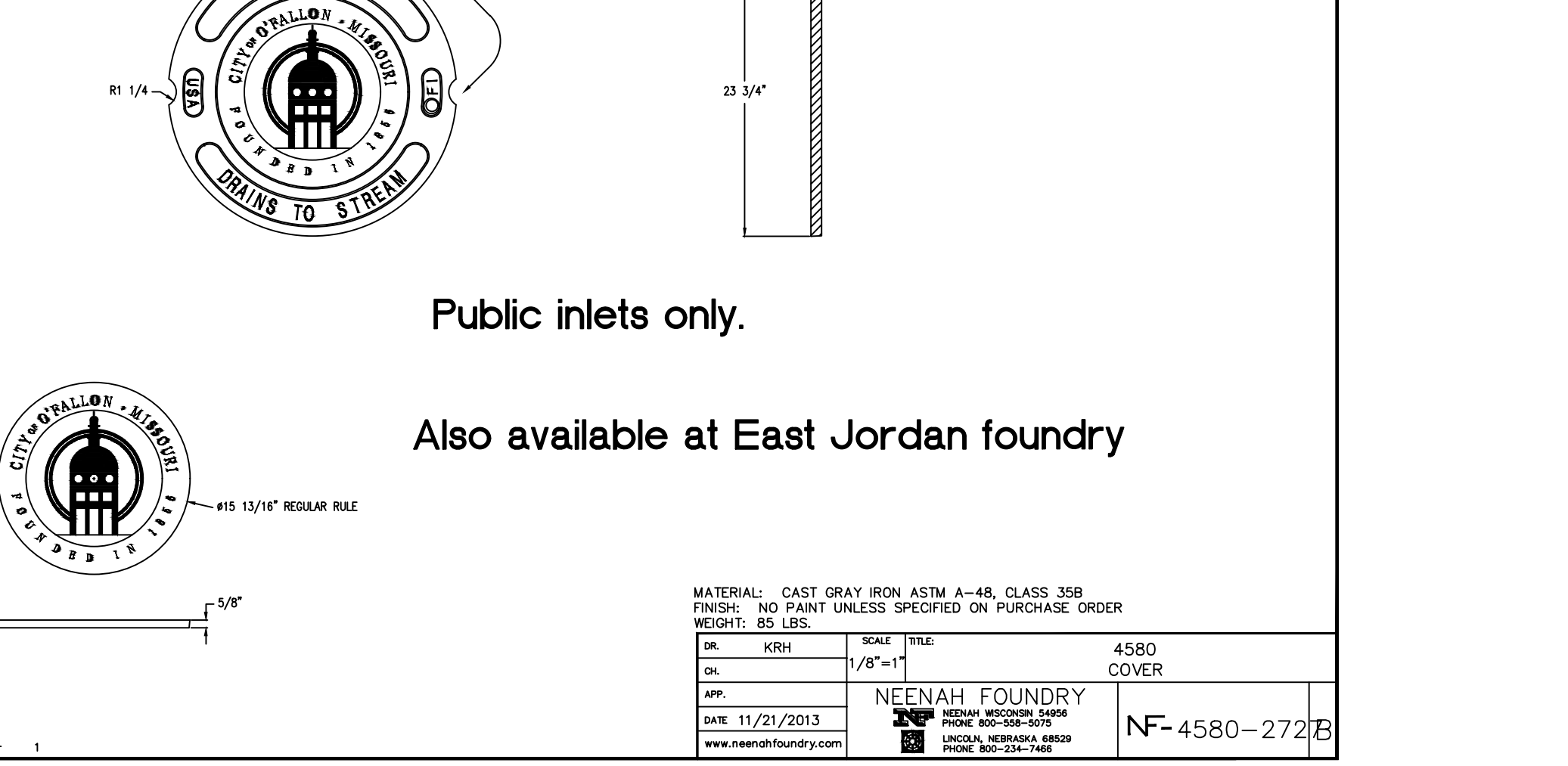
PRECAST CONCRETE MANHOLE

Dr. WSH/SAM Ch. J.C.K. 2009 SHEET 21



FLARED END SECTION

Dr. WSH/SAM Ch. J.C.K. 2009 SHEET 61



Public inlets only.

Also available at East Jordan foundry

NEENAH FOUNDRY
11/21/2013
NF-4580-272B

PROJECT TITLE:
ELLA'S PLACE
EMGE ROAD
CITY OF O'FALLON
ST. CHARLES COUNTY
MO. 63366

ENGINEERING
PLANNING
SURVEYING

22 Point View Blvd.
St. Charles, MO 63301
636-928-5562
FAX 928-1718

DISCLAIMER OF RESPONSIBILITY
I hereby certify that the documents intended to be authorized by my seal are limited to this sheet, and I hereby disclaim any responsibility for all other drawings, specifications, estimates, reports or other documents or instruments relating to or intended to be used for any part or parts of the architectural or engineering project or survey.

REVISIONS

DATE	CITY COMMENTS
11/29/18	CITY COMMENTS
01/09/19	CITY COMMENTS
03/22/21	CLIENT COMMENTS
05/05/21	CITY COMMENTS
05/21/21	CITY COMMENTS

Developer / Owner:
Schneider Custom Homes
429 North Main Street
O'Fallon, MO 63366
636-240-0930

P+Z No. #19-007760
Approval Date: 11/05/2020
City No. #
Page No. 12 of 18

STORM AND SANITARY DETAILS

ENGINEERS SEAL DOES NOT APPLY TO DETAILS ON THIS SHEET.