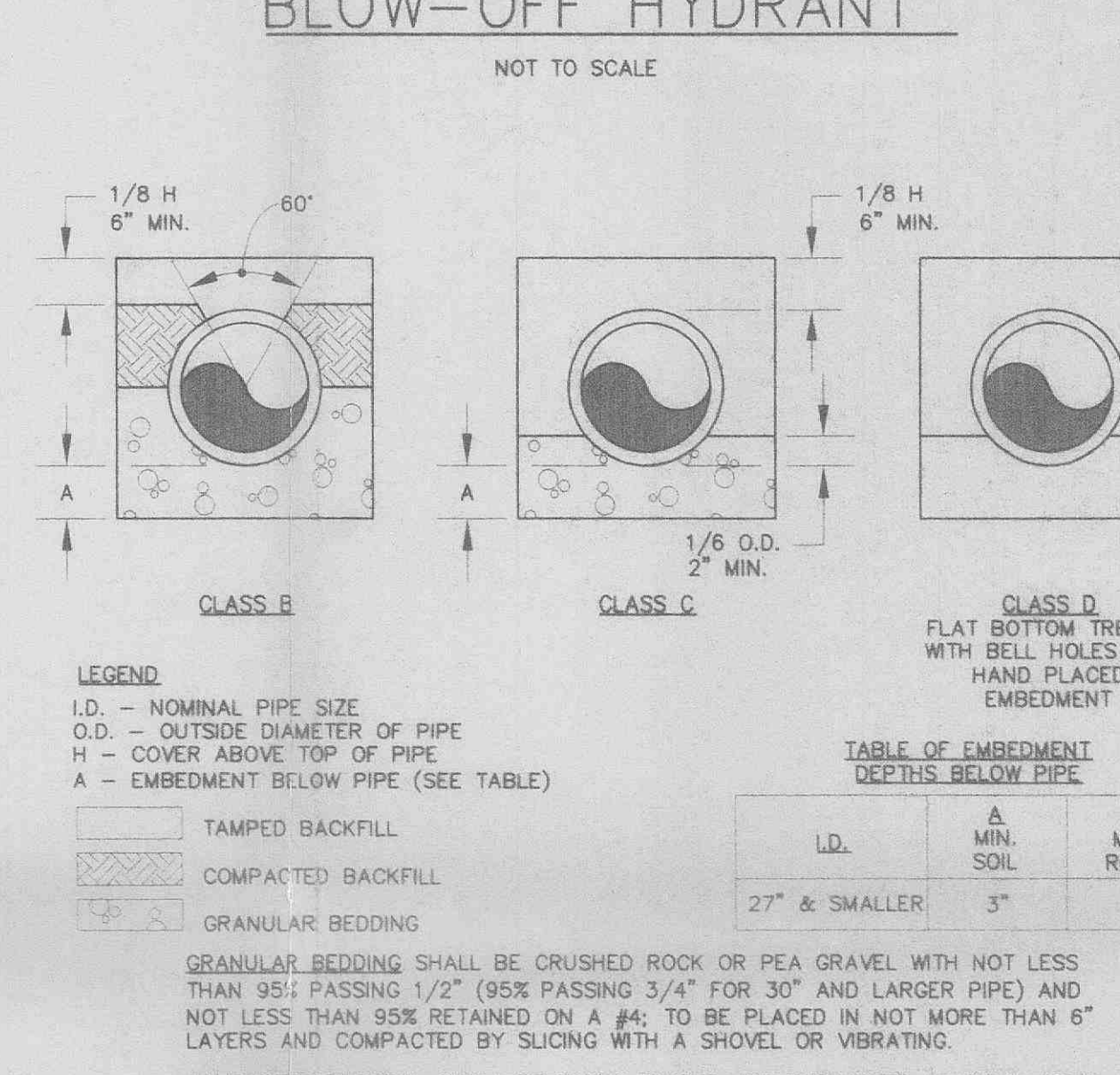
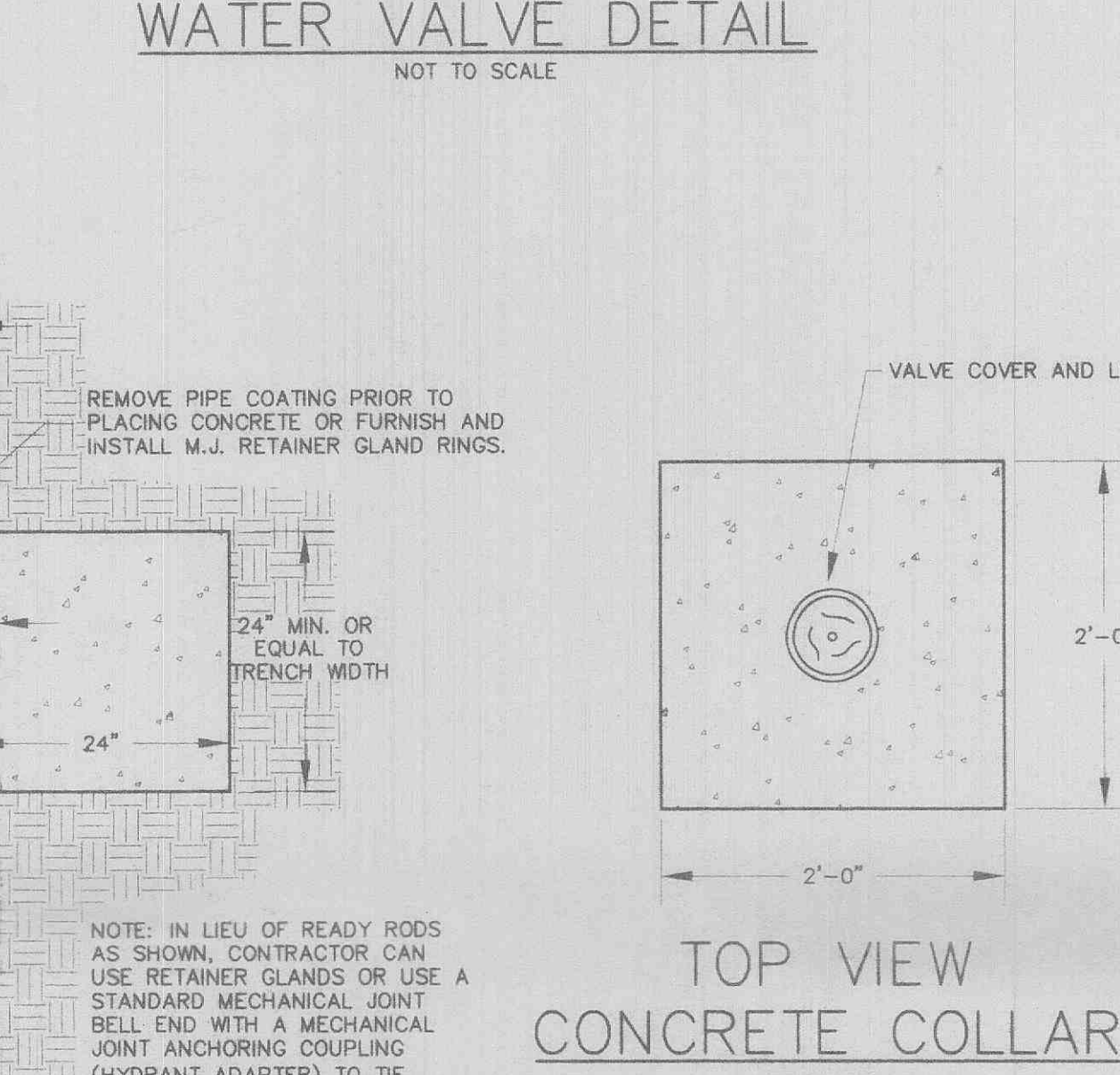
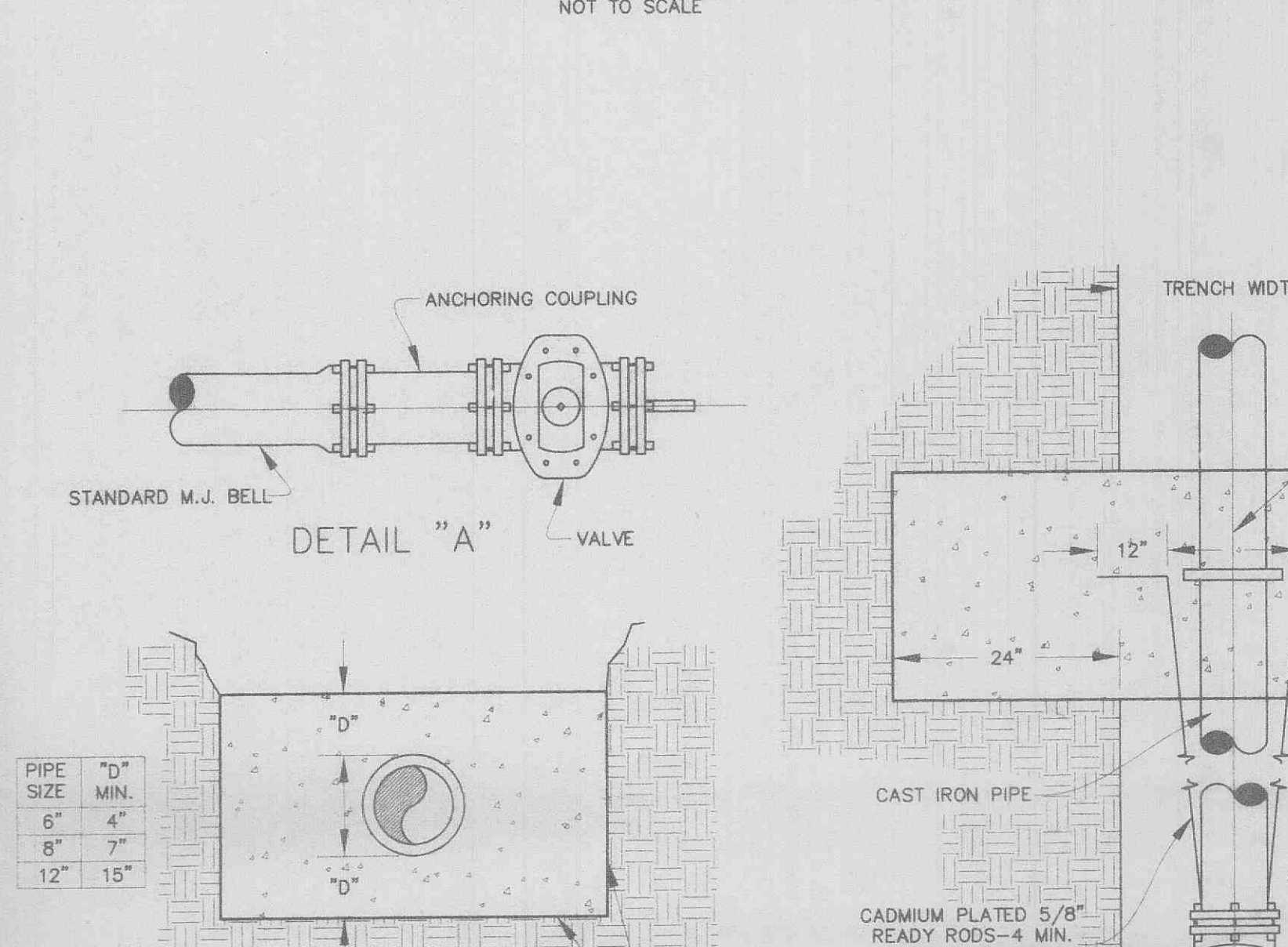
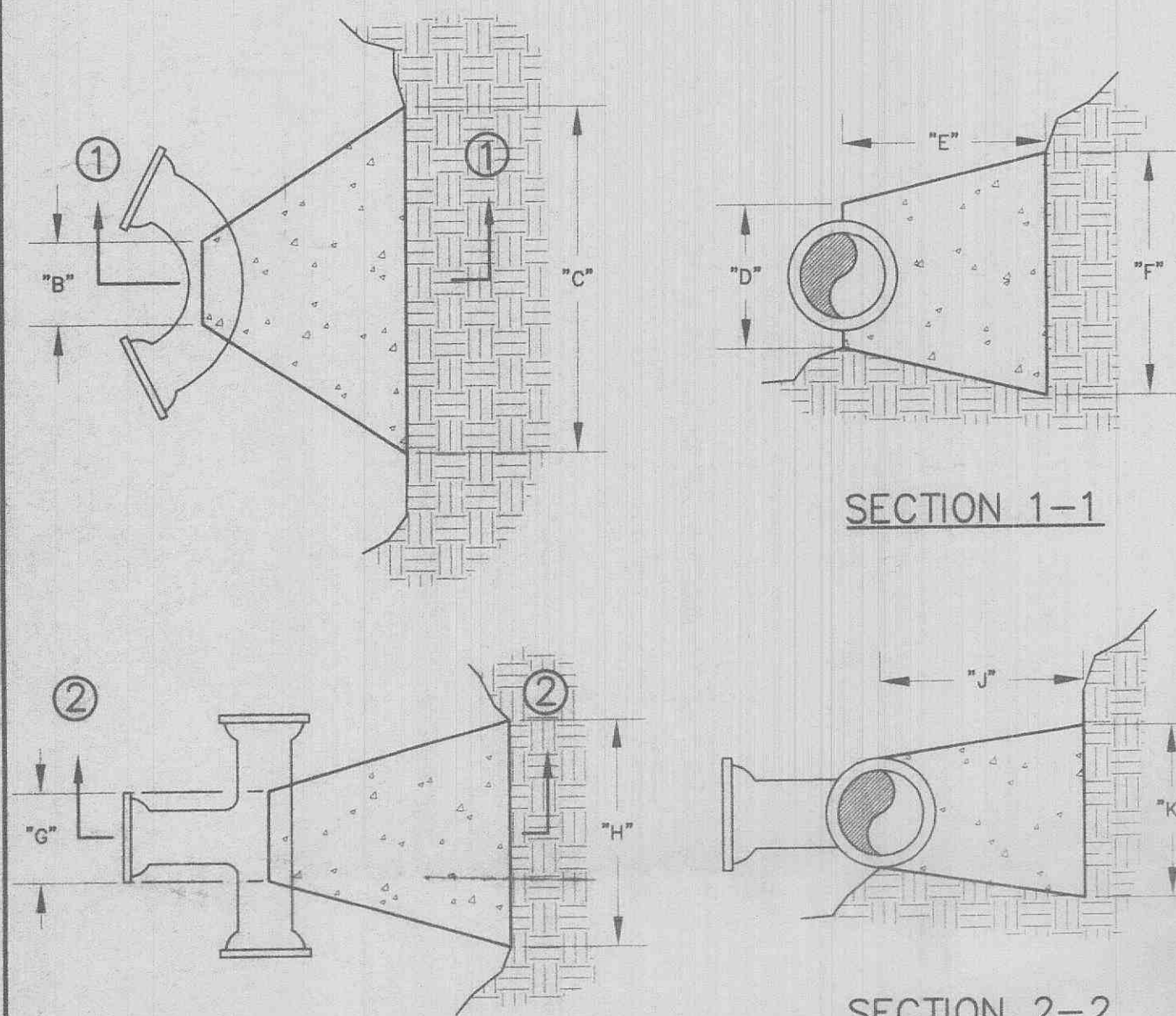
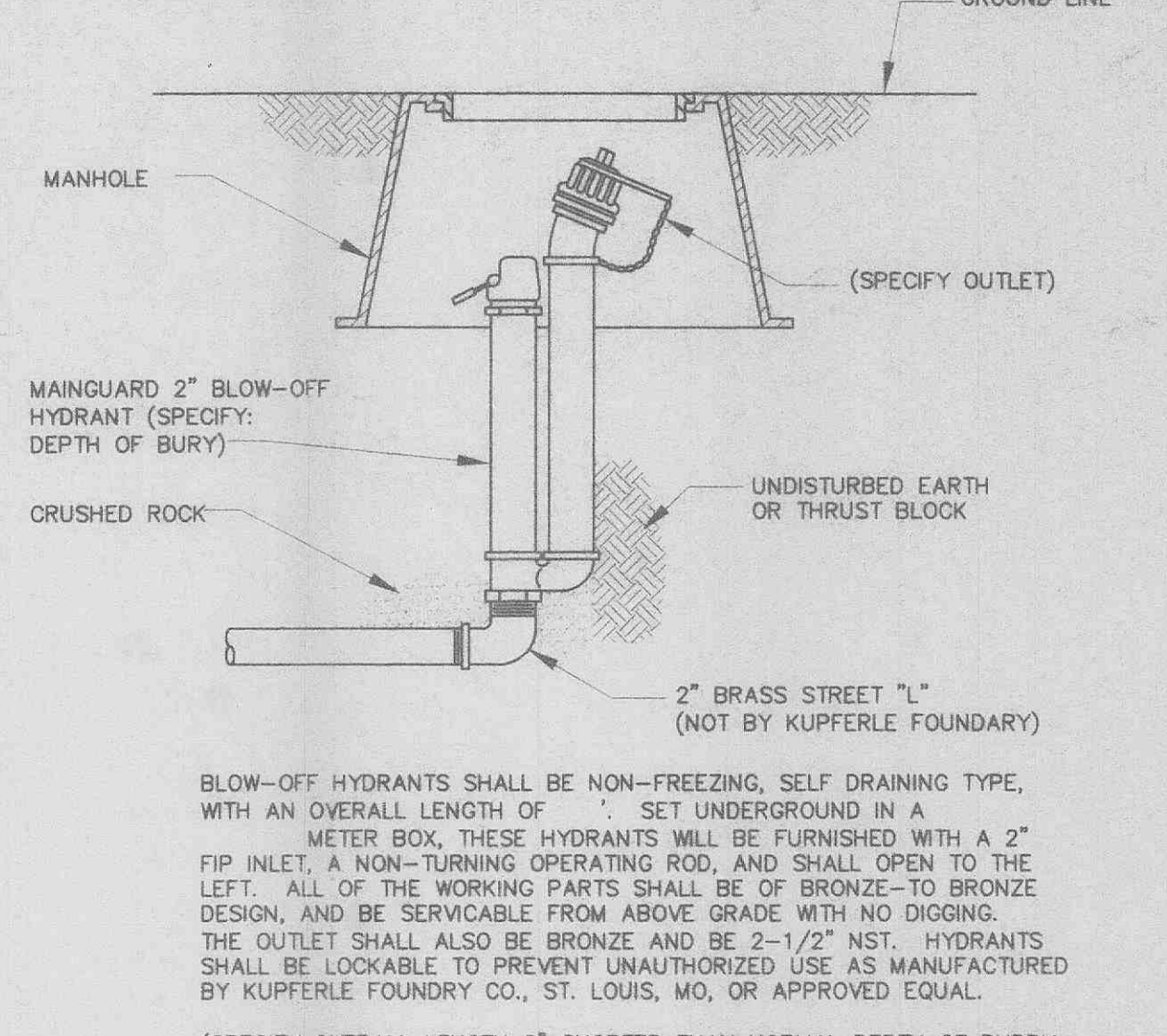
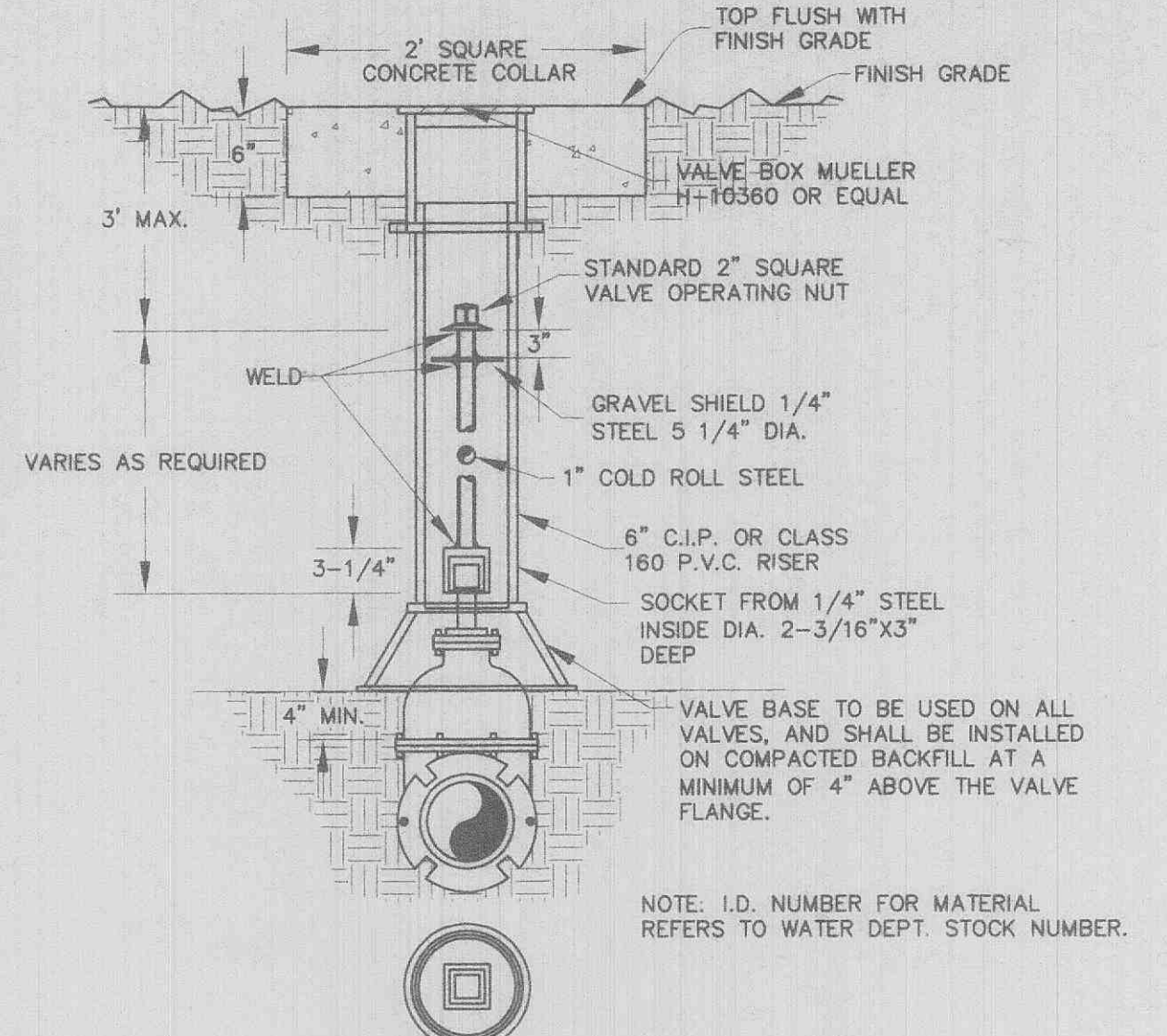
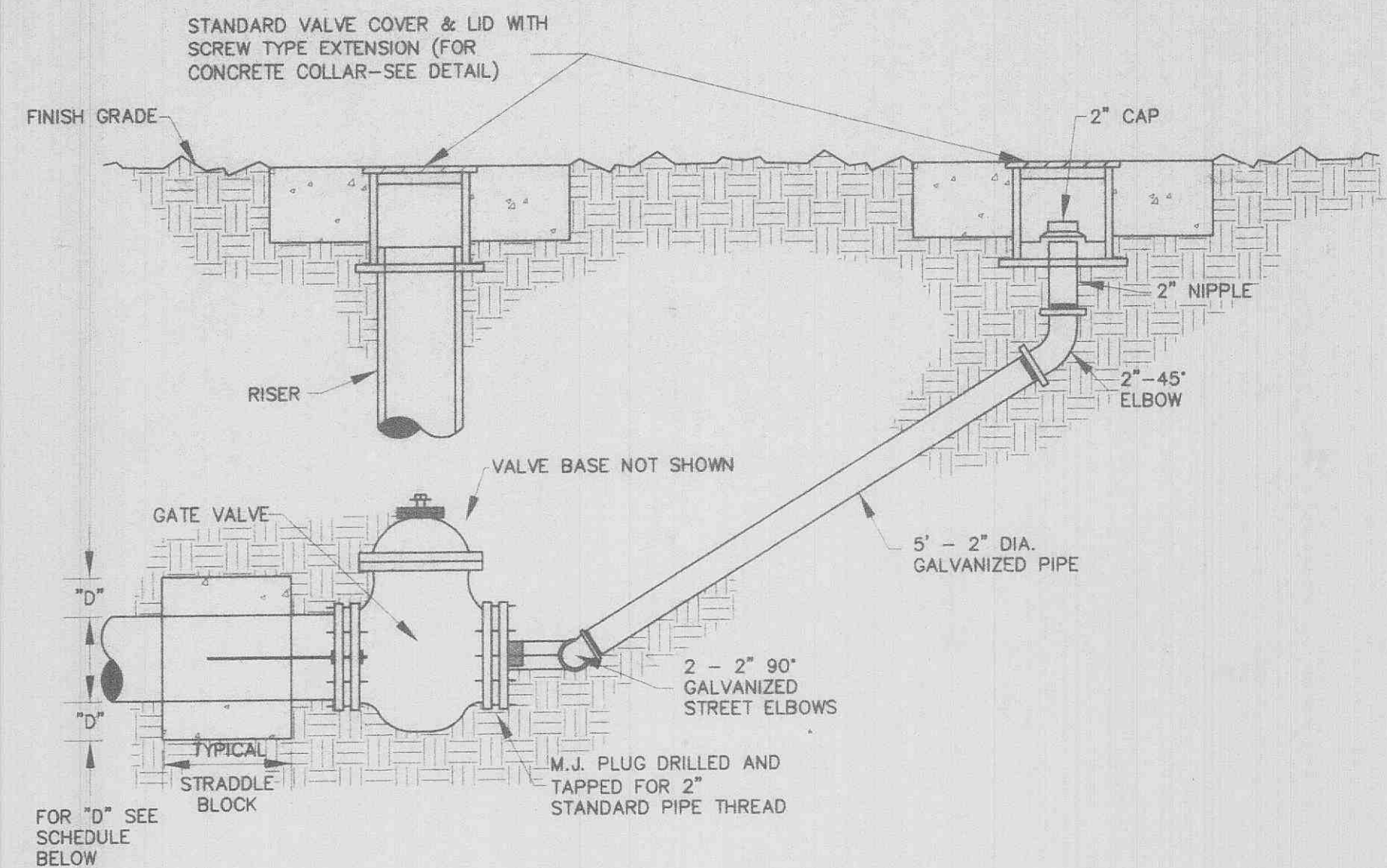
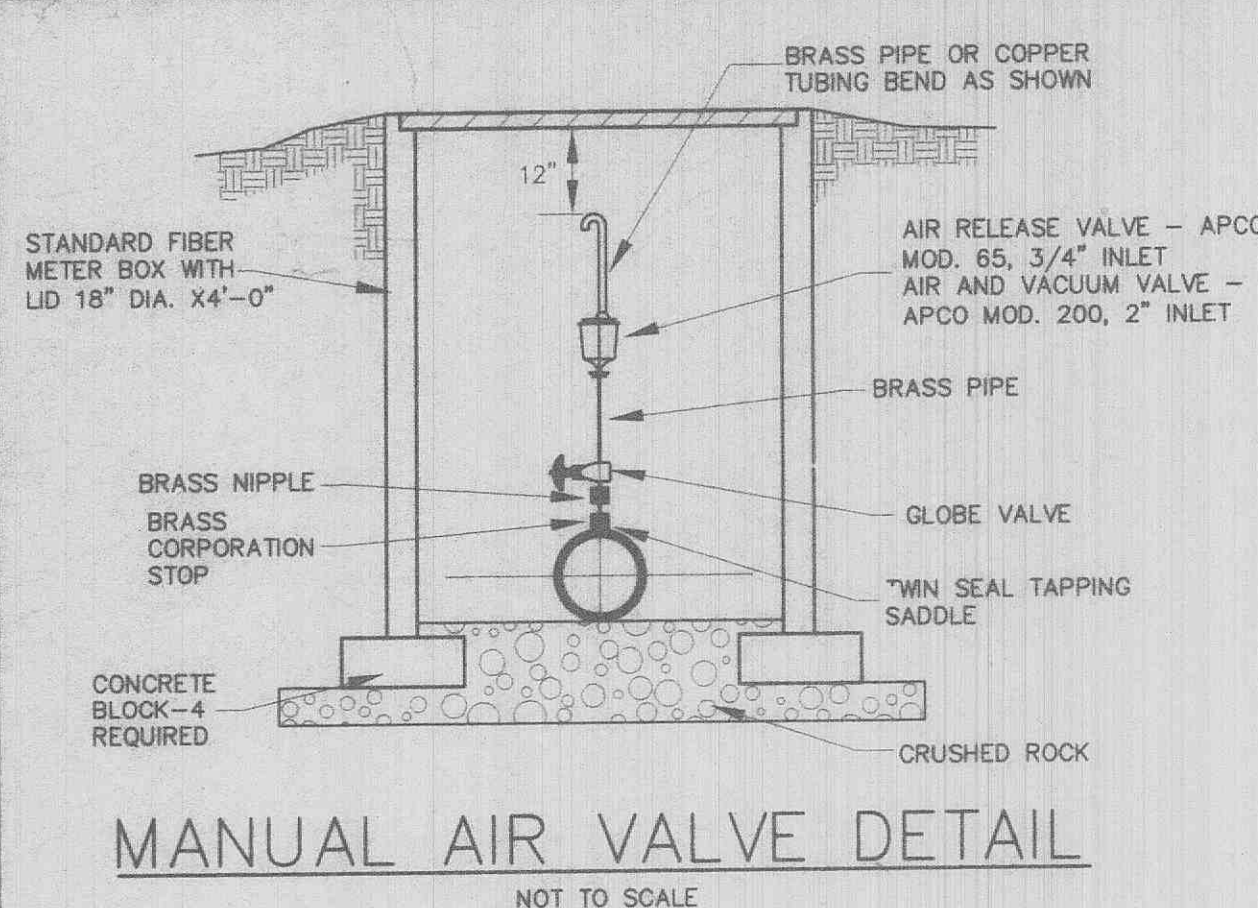




DISCLAIMER OF RESPONSIBILITY
I HEREBY CERTIFY THAT THE DOCUMENTS REFERRED TO ARE AUTHORIZED BY MY SEAL AND LIMITED TO THE SEALS AND I HEREBY DISCLAIM ANY RESPONSIBILITY FOR ALL OTHER DRAWINGS, SPECIFICATIONS, ESTIMATES, REPORTS OR OTHER DOCUMENTS OR INFORMATION RELAYED TO ANYONE TO BE USED FOR ANY PART OR PARTS OF THE ACQUISITION OF OR PERFORMANCE OF ANY PROJECT OR SERVICE.

DESIGNED: _____
CHECKED: _____
DATE: 00/00/00
PROJECT NO.: 00-000



BENDS

BENDS	"B"	"C"	"D"	"E"	"F"
6"-11 1/4"	8"	15"	12"	24"	10"
6"-22 1/2"	8"	19"	12"	24"	13"
6"-45"	8"	30"	12"	24"	14"
6"-90"	8"	30"	12"	24"	27"
8"-11 1/4"	8"	20"	12"	24"	10"
8"-22 1/2"	8"	22"	12"	24"	17"
8"-45"	8"	30"	12"	24"	24"
8"-90"	8"	38"	12"	24"	36"
12"-11 1/4"	8"	30"	12"	24"	15"
12"-22 1/2"	8"	35"	12"	24"	25"
12"-45"	8"	40"	12"	24"	40"
12"-90"	8"	60"	12"	24"	52"

TEES

TEES	"G"	"H"	"J"	"K"
6"x6"x6"	12"	24"	24"	18"
8"x8"x8"	12"	24"	24"	18"
8"x8"x8"	12"	24"	24"	24"
12"x12"x8"	12"	24"	24"	18"
12"x12"x8"	12"	24"	24"	24"
12"x12"x12"	12"	36"	24"	36"

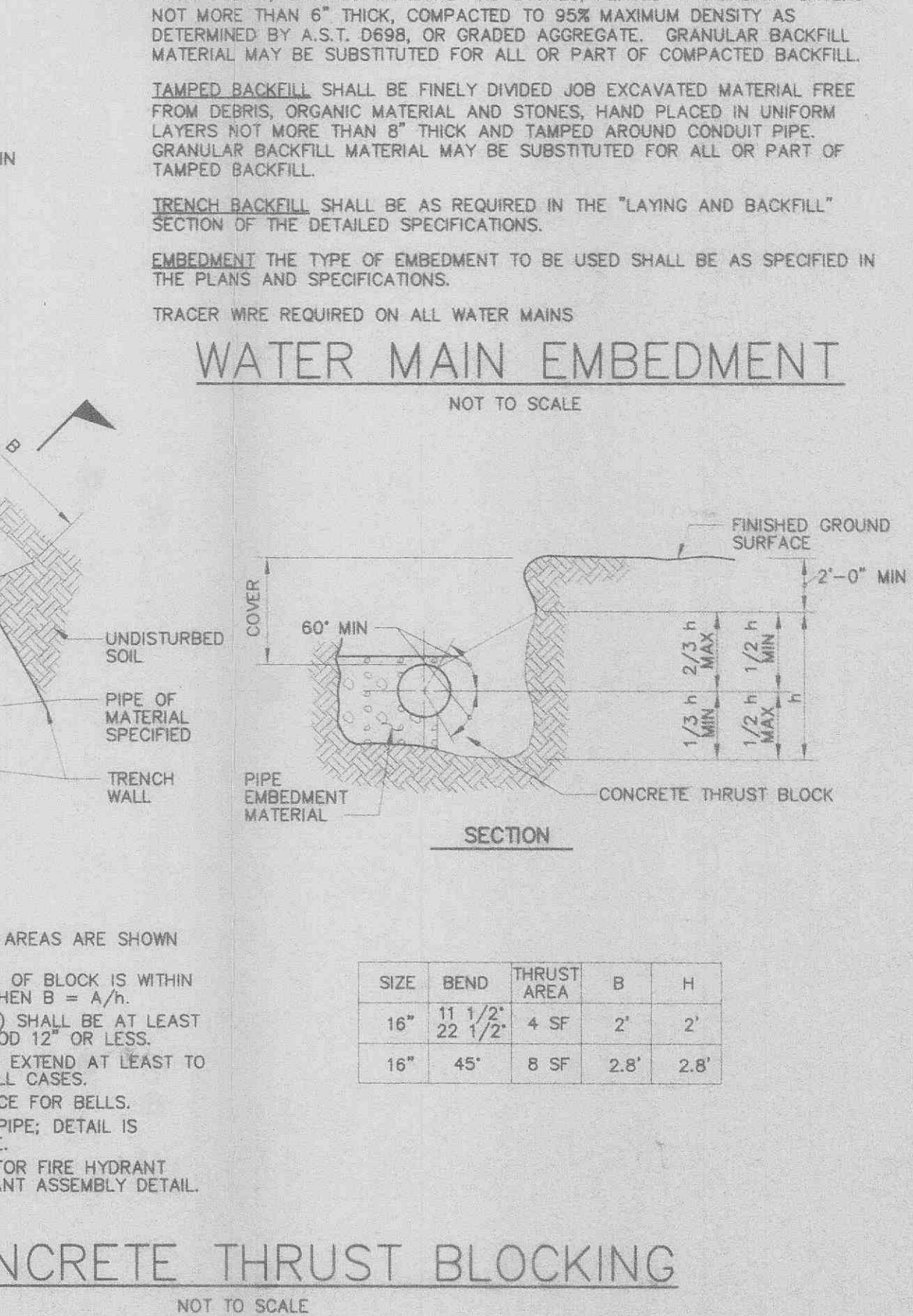
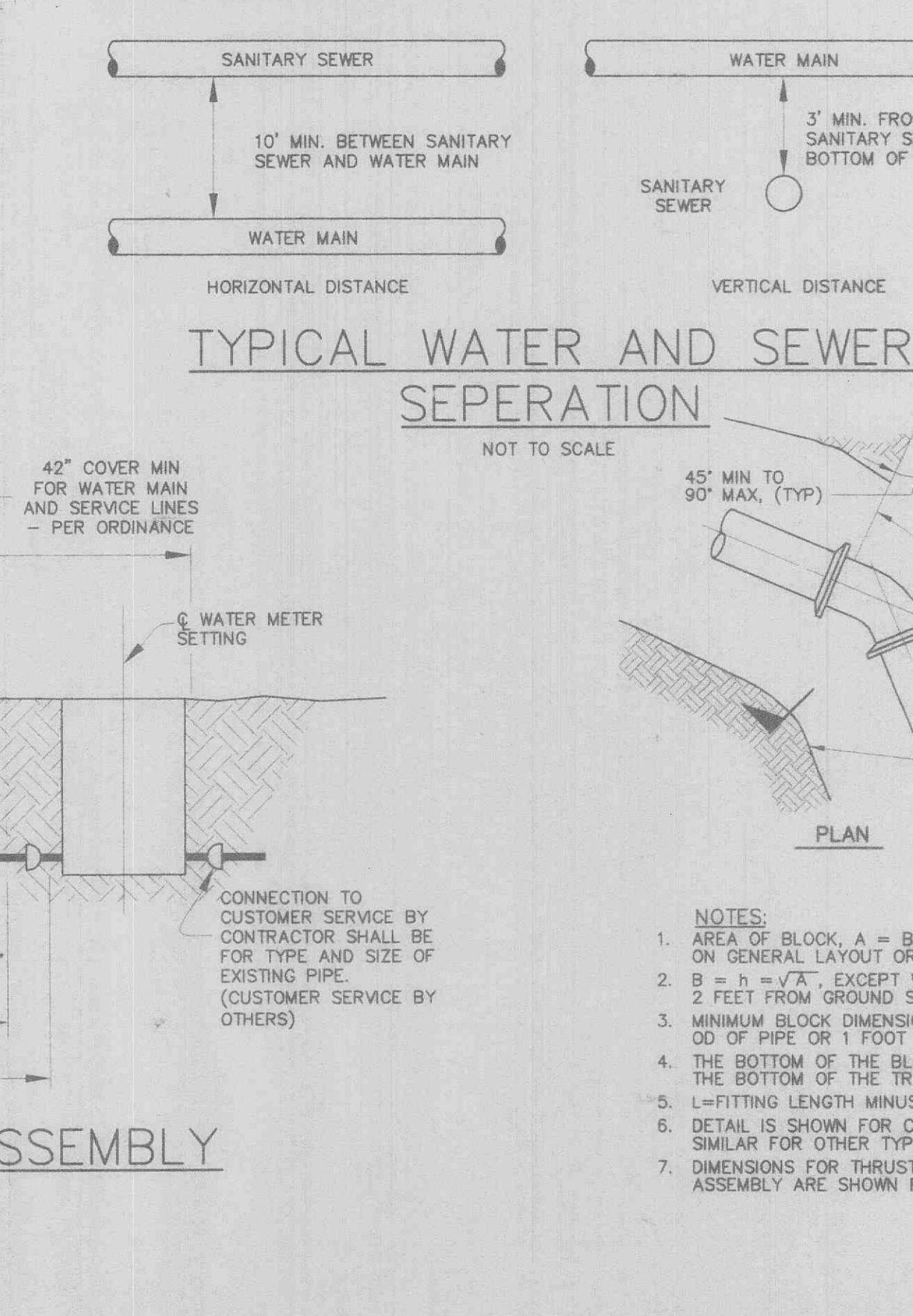
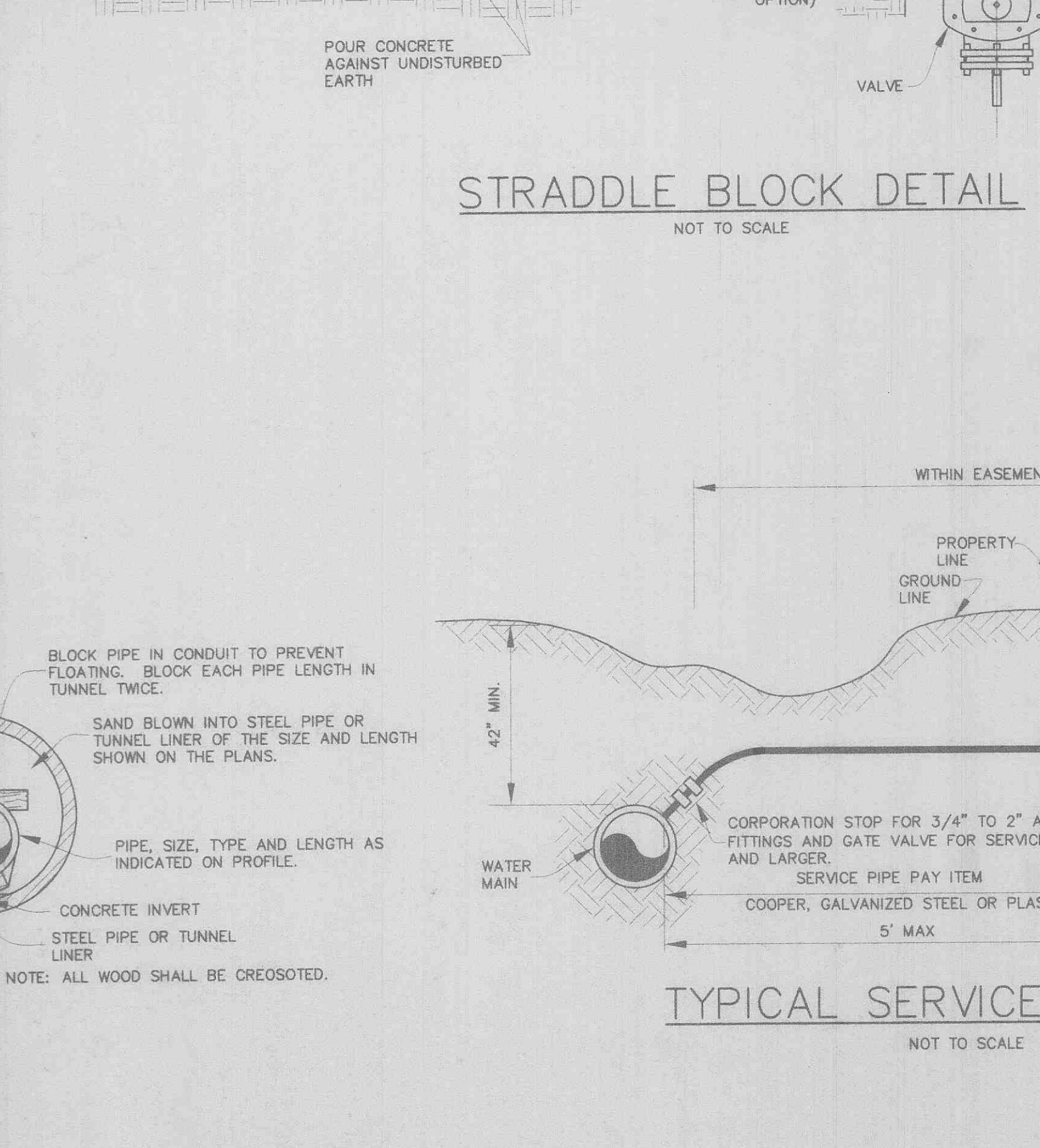
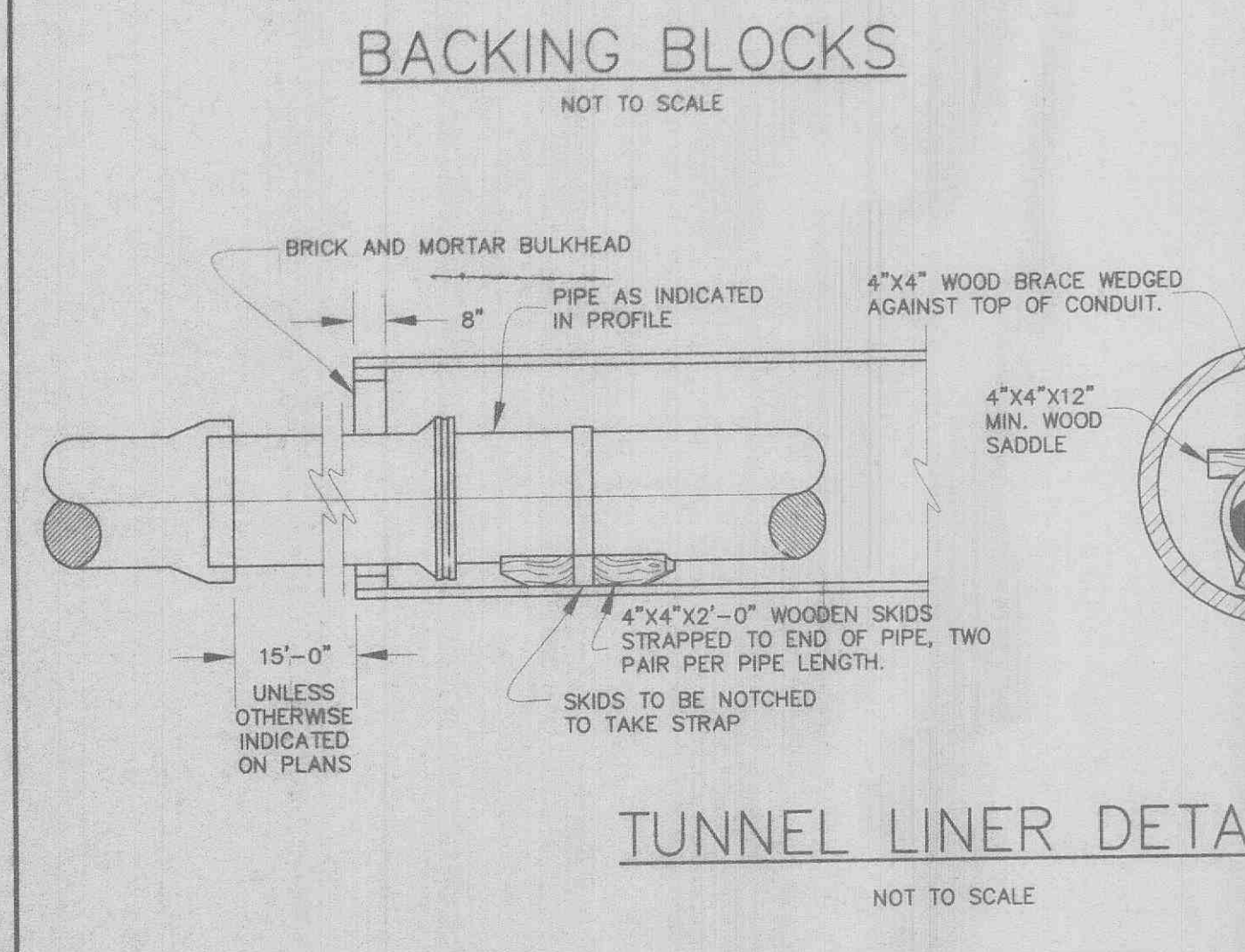
CUBIC FEET OF CONCRETE REQUIRED

BEND	11 1/4"	22 1/2"	45"	90"
6"	1.7	2.4	3.5	5.5
8"	2.1	3.1	5.0	8.5
12"	3.7	5.9	9.7	17.5

TEE X

TEE X	6"	8"	12"	PLUG
6"	4.0	~	~	4.0
8"	4.0	5.0	~	5.0
12"	4.0	5.5	10.5	10.5

NOTES:
1. 2" & 4" FITTINGS EQUIVALENT TO 6" FITTINGS.
2. TAPPING SLEEVES TO HAVE BACKING BLOCKS SAME SIZE AS REQUIRED FOR TEES.



NOTES:

- AREA OF BLOCK, A = Bxh. BLOCK AREAS ARE SHOWN ON GENERAL LAYOUT OR TABLE.
- B = h = √A, EXCEPT WHERE TOP OF BLOCK IS WITHIN 2 FEET FROM GROUND SURFACE, THEN B = A/h.
- MINIMUM BLOCK DIMENSION (B & h) SHALL BE AT LEAST OD OF PIPE OR 1 FOOT FOR PIPE OD 12" OR LESS.
- THE BOTTOM OF THE BLOCK SHALL EXTEND AT LEAST TO THE BOTTOM OF THE TRENCH IN ALL CASES.
- L = FITTING LENGTH MINUS CLEARANCE FOR BELLS.
- DETAIL IS SHOWN FOR CAST IRON PIPE; DETAIL IS SIMILAR FOR OTHER TYPES OF PIPE.
- DIMENSIONS FOR THRUST BLOCKS FOR FIRE HYDRANT ASSEMBLY ARE SHOWN FIRE HYDRANT ASSEMBLY DETAIL.

SIZE	BEND	THRUST AREA	B	H
16"	11 1/2"	4 SF	2'	2'
16"	45"	8 SF	2.8'	2.8'