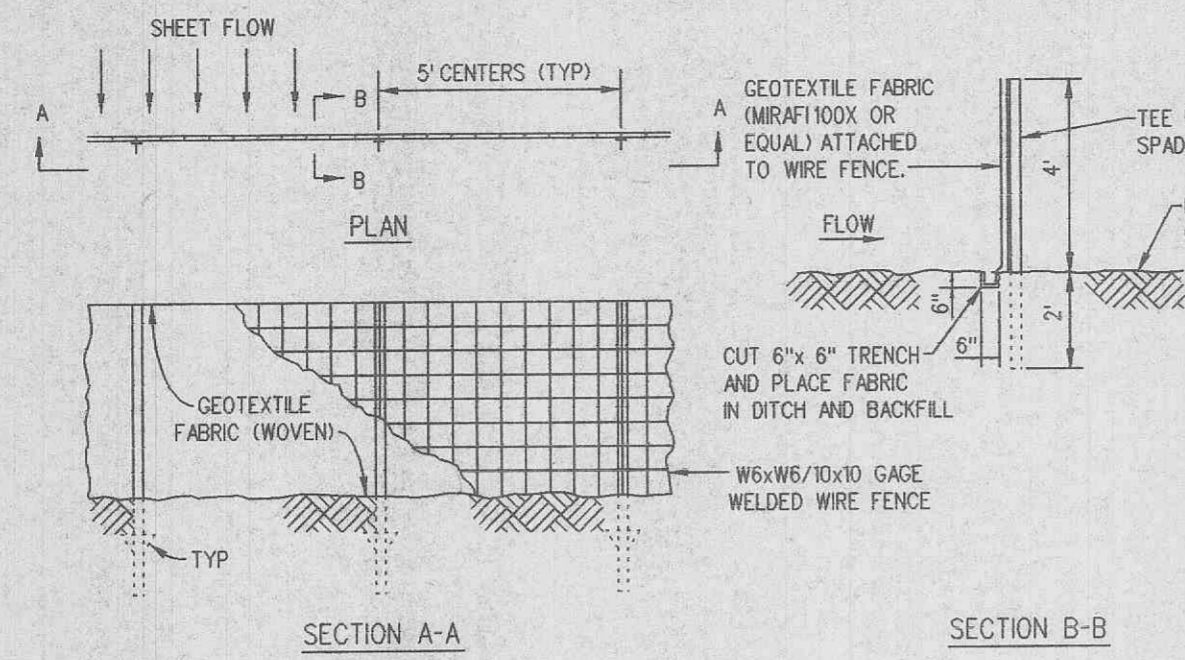
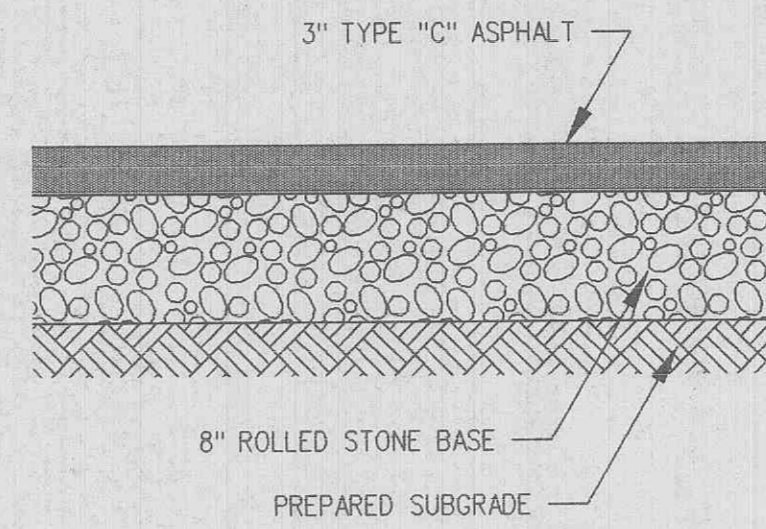


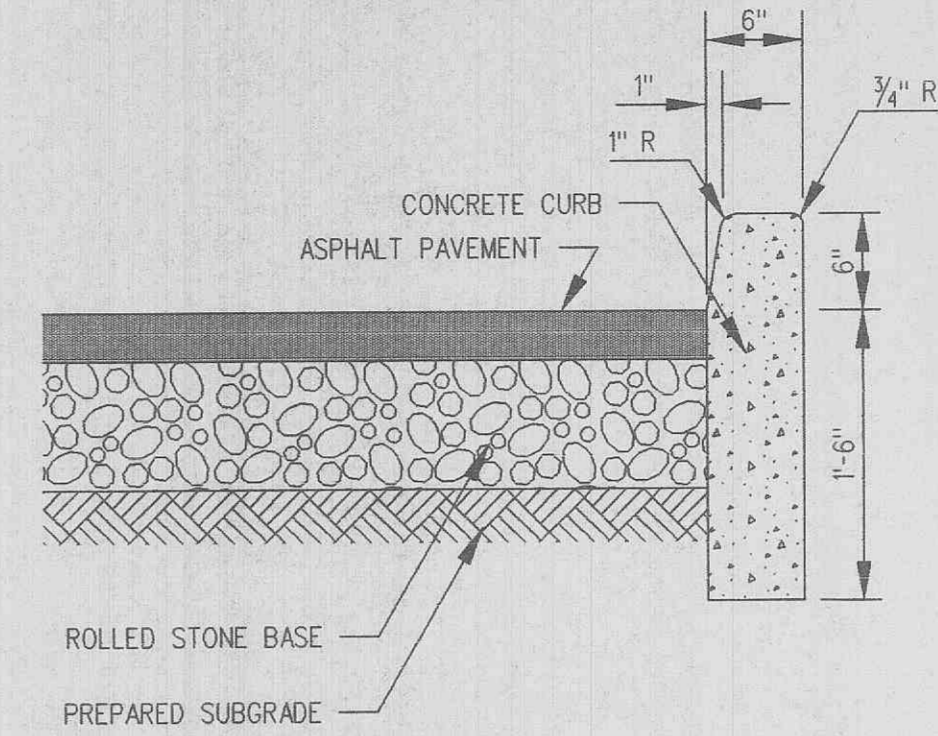
4" CONCRETE SIDEWALK 1  
NTS



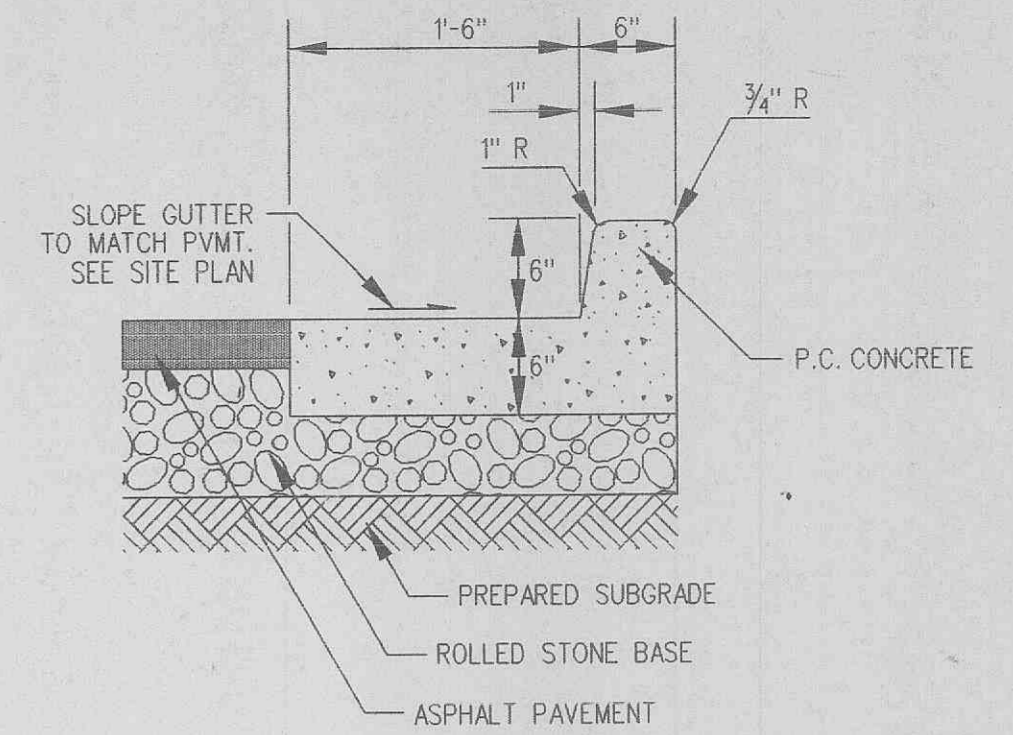
SILTATION CONTROL 17  
NTS



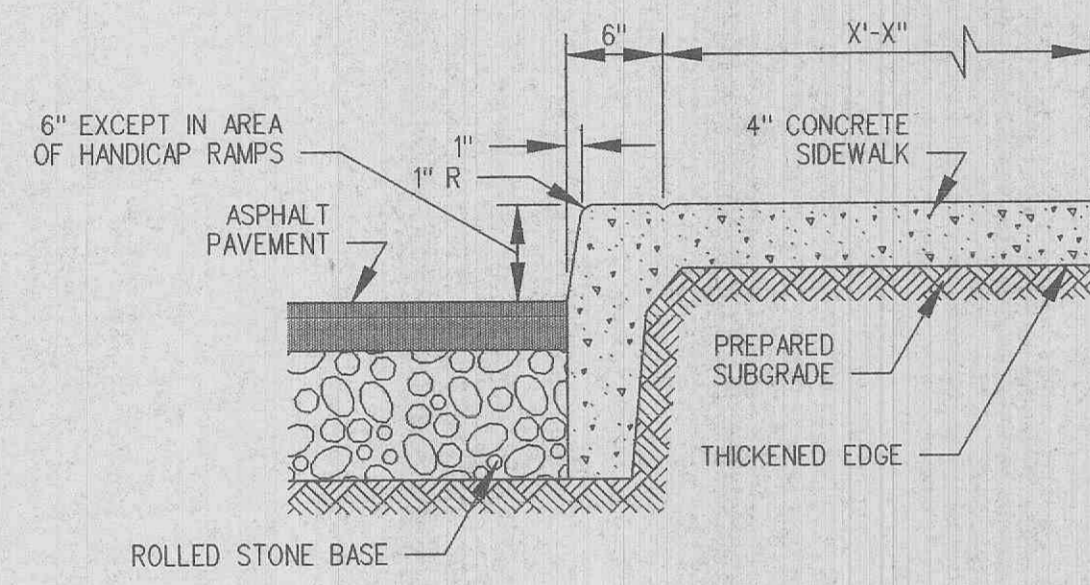
3" ASPHALT PAVEMENT 3  
NTS



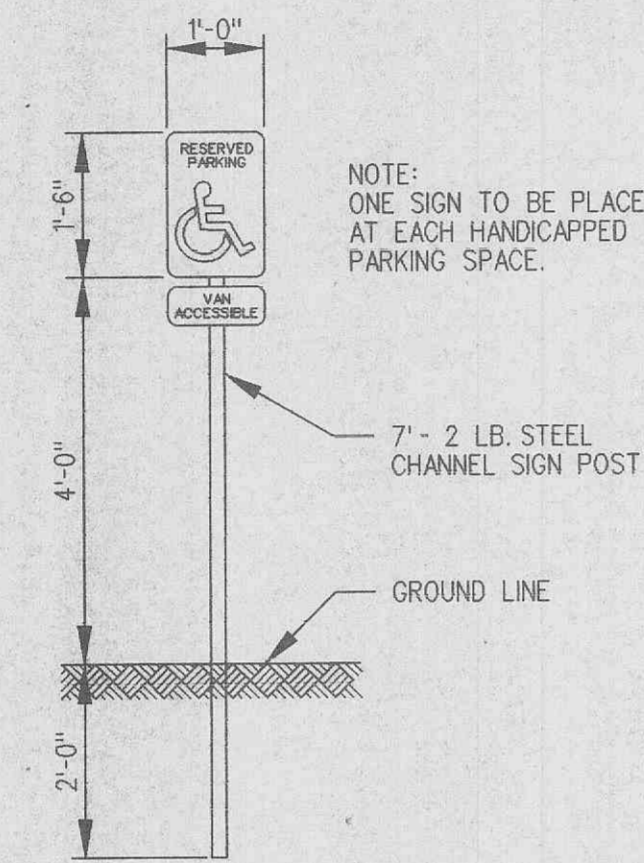
6" CONCRETE CURB 4  
NTS



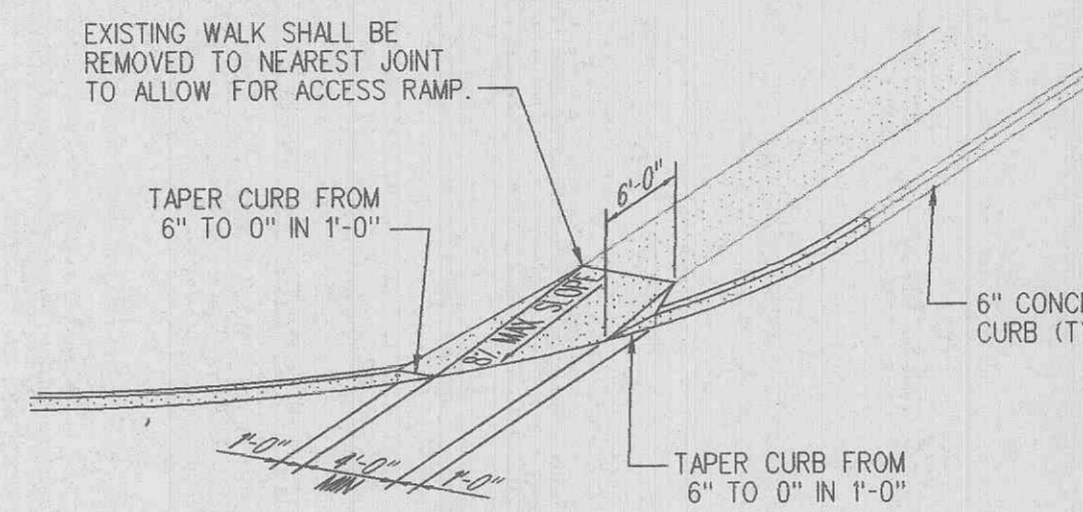
CONCRETE CURB AND GUTTER DETAIL 5  
NTS



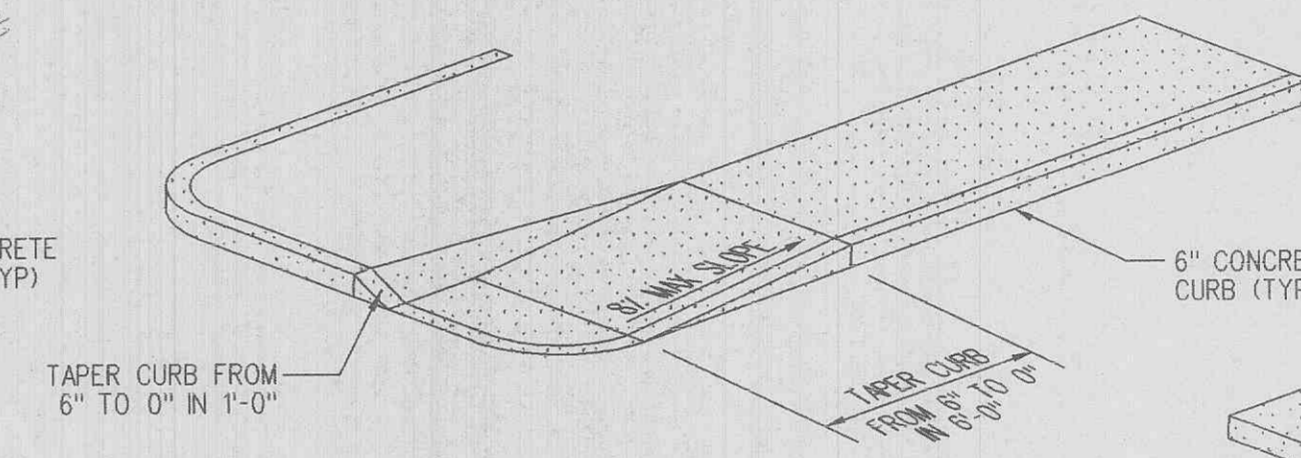
COMBINATION CURB & SIDEWALK 6  
NTS



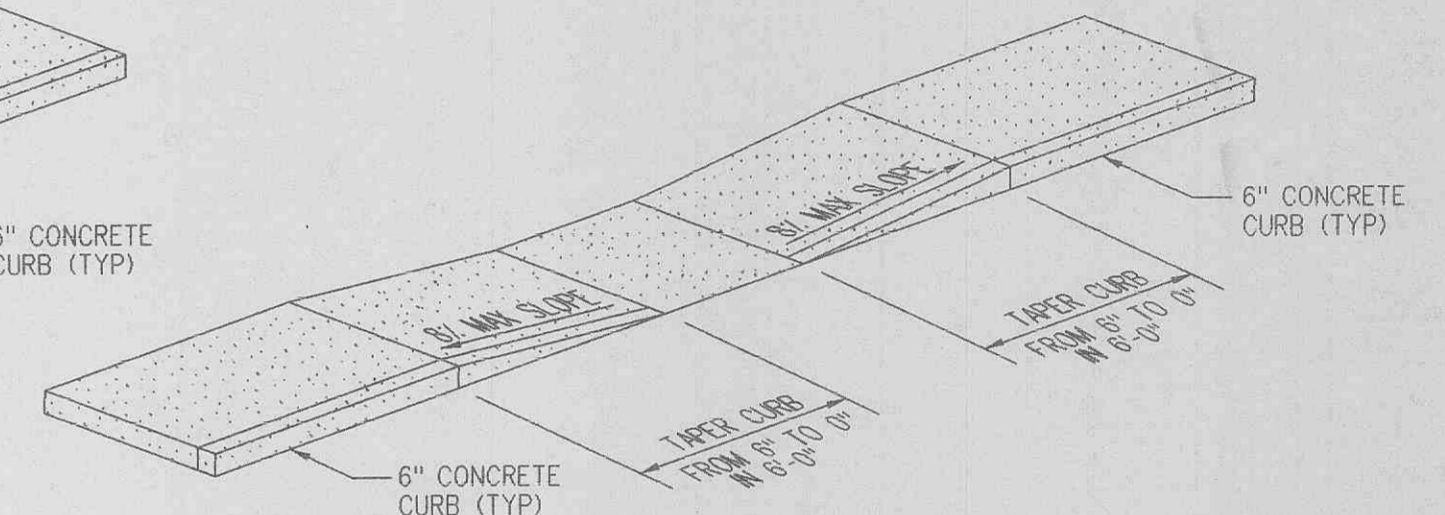
VAN ACCESSIBLE HANDICAPPED PARKING SIGN 7  
NTS



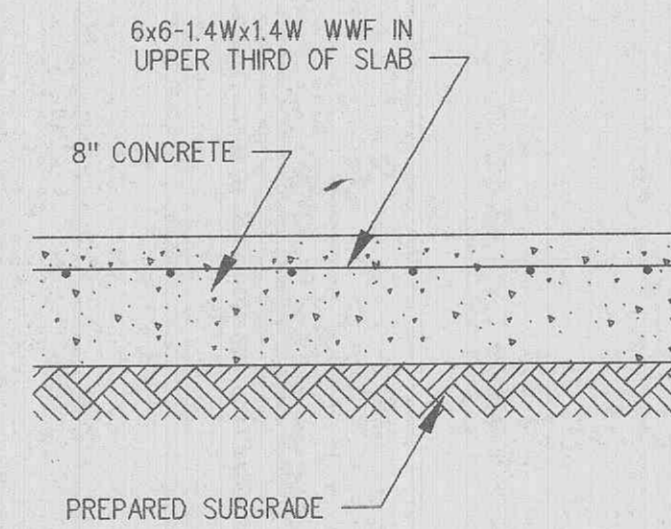
ACCESSIBLE RAMP DETAIL 8  
NTS



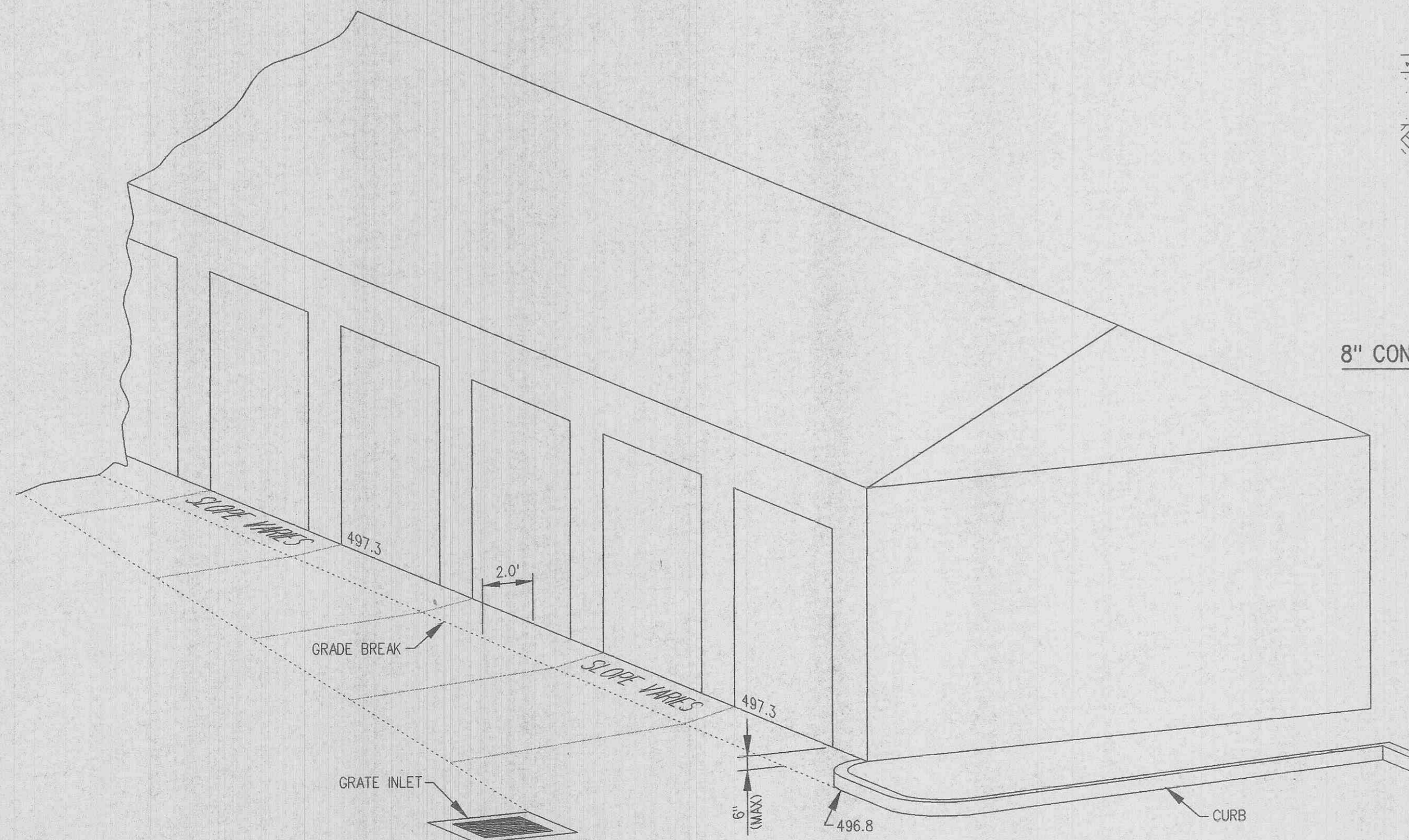
ACCESSIBLE RAMP DETAIL 9  
NTS



ACCESSIBLE RAMP DETAIL 10  
NTS

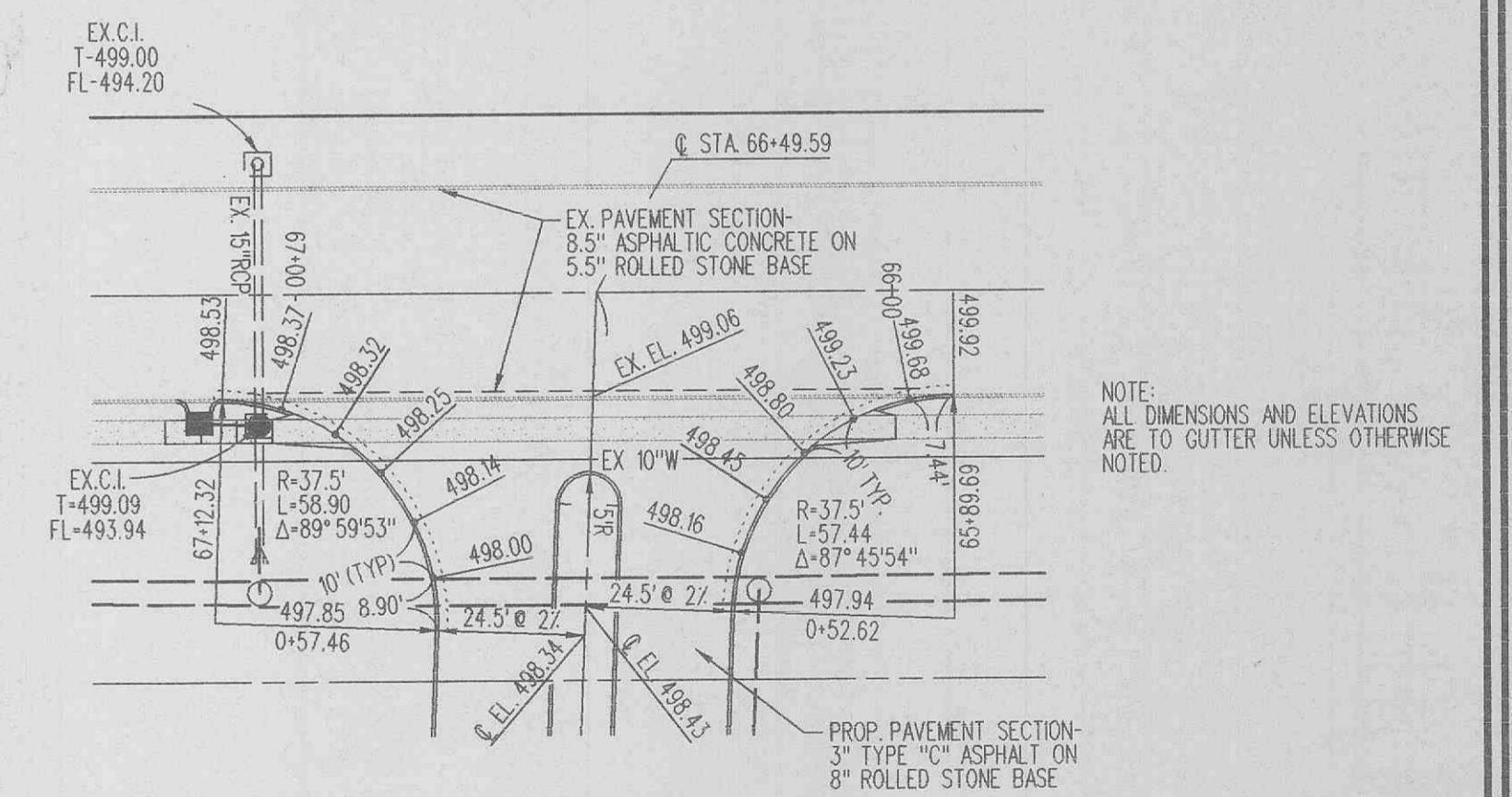


8" CONCRETE PAVEMENT 12  
NTS

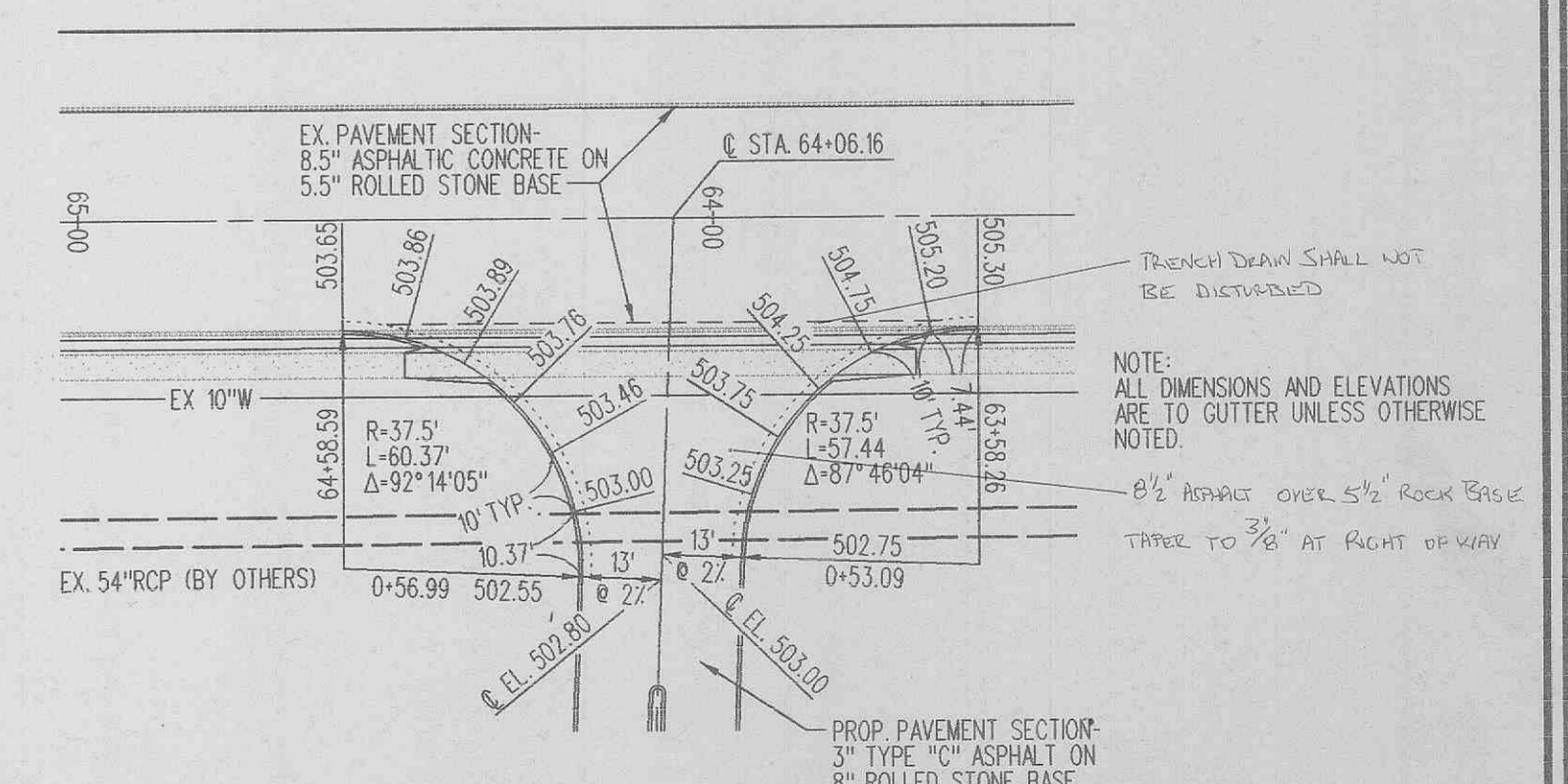


TYPICAL RAMP AT GARAGE ENTRANCE 11  
NTS

NOTE: REFER TO GRADING PLAN FOR ACTUAL ELEVATIONS FOR EACH GARAGE ENTRANCE.



ENTRANCE DETAIL @ 66+49.59 PHOENIX PARKWAY



ENTRANCE DETAIL @ 64+06.16 PHOENIX PARKWAY