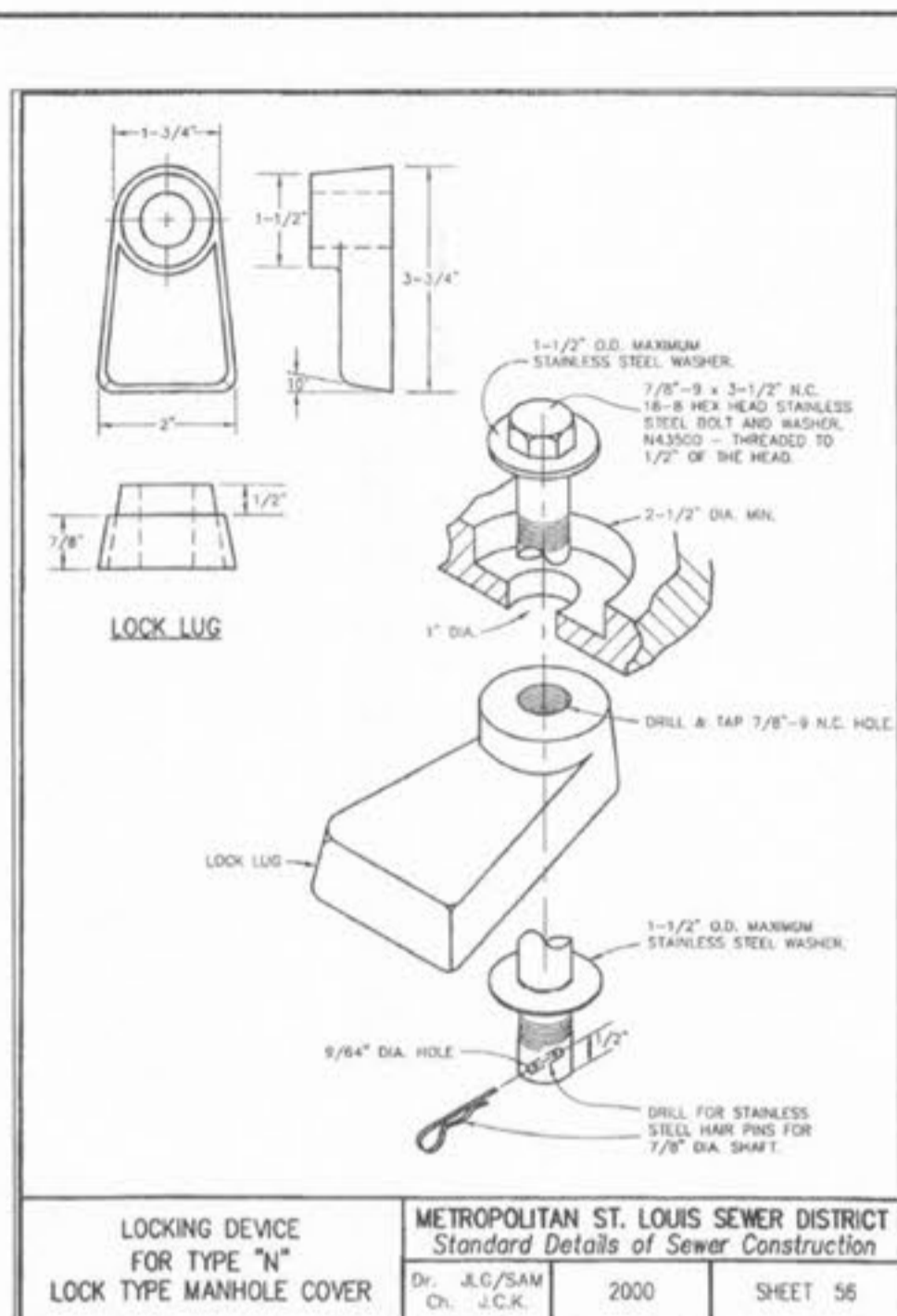
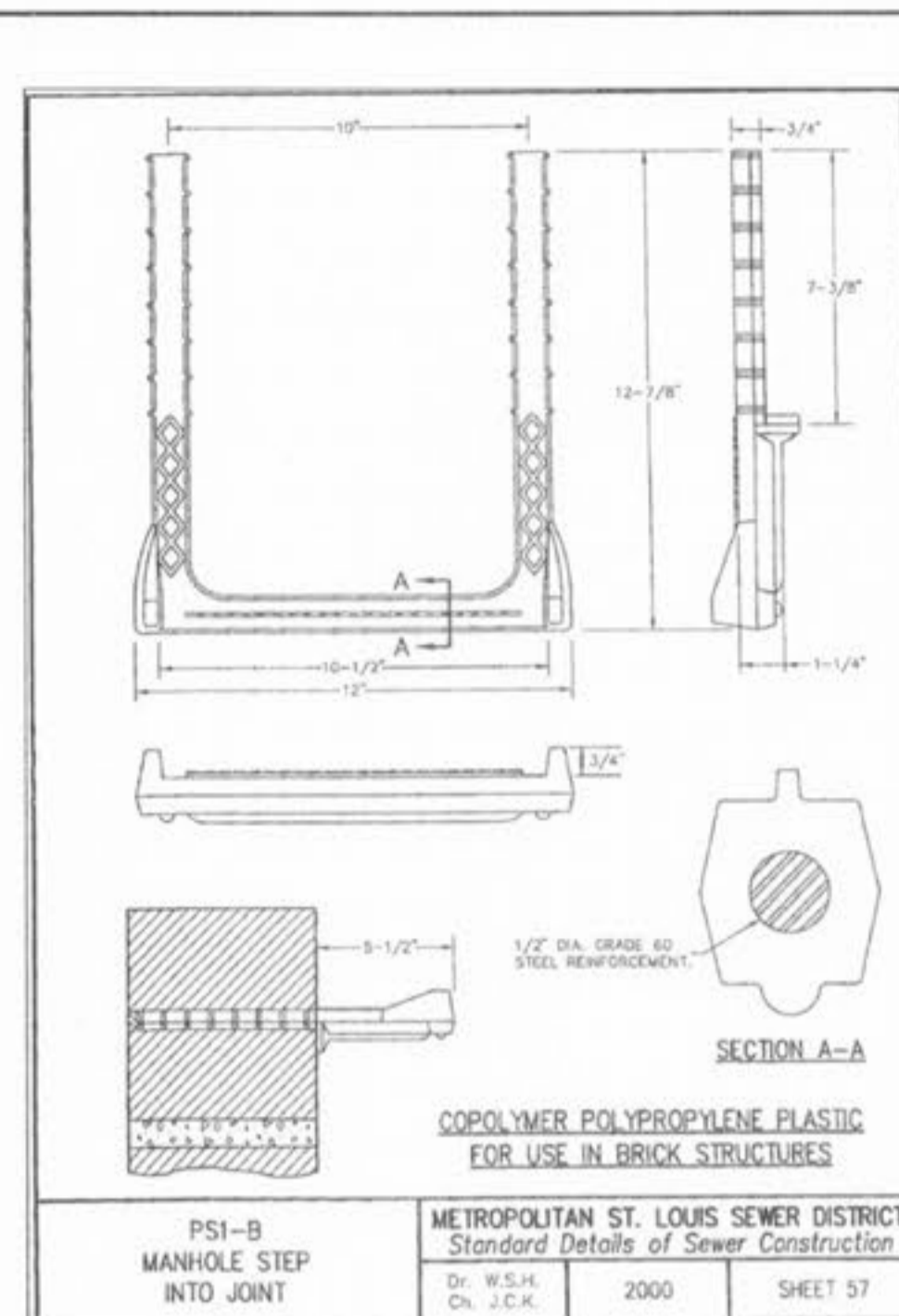


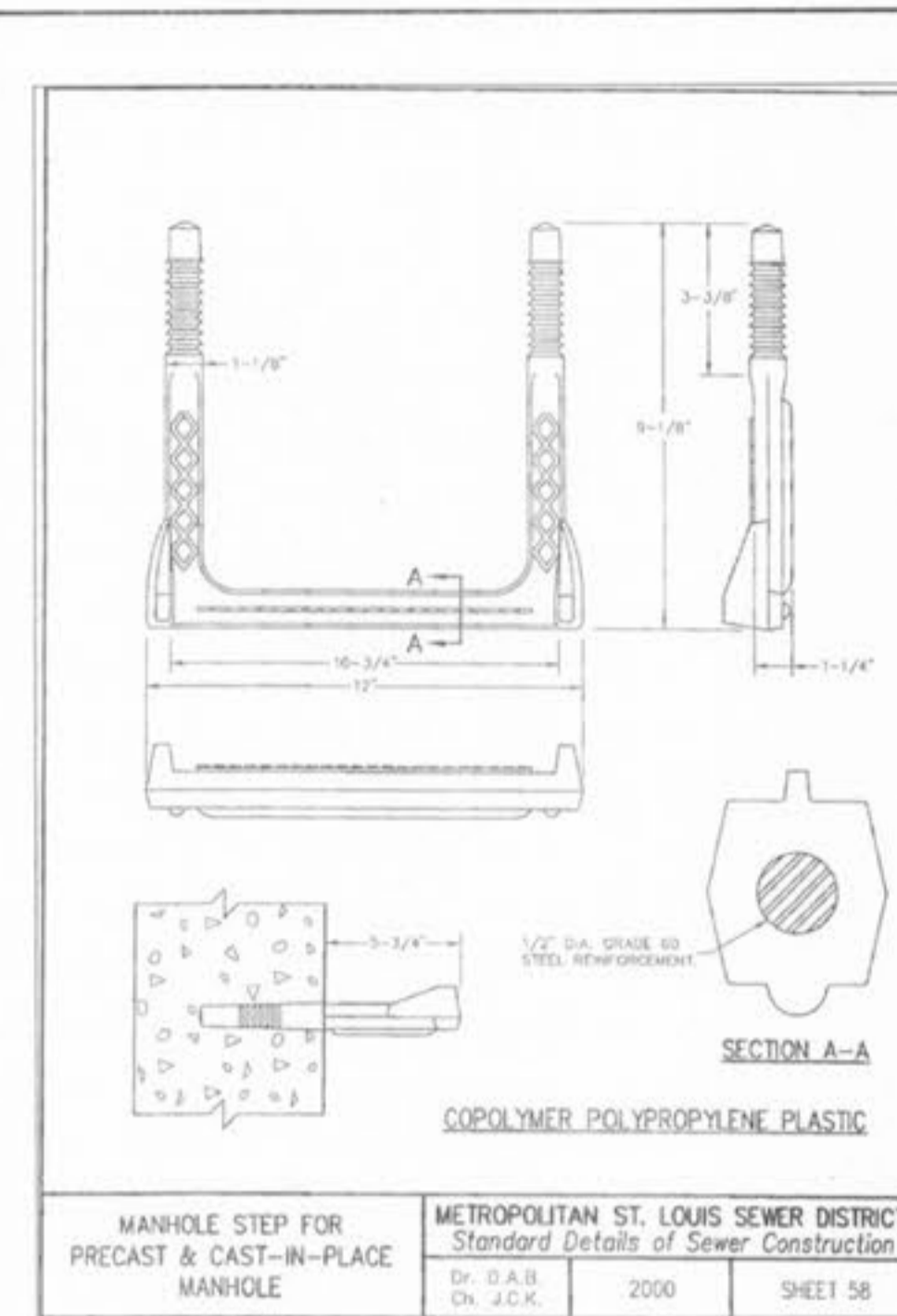
LOCKING DEVICE FOR TYPE "T" LOCK TYPE MANHOLE COVER
 METROPOLITAN ST. LOUIS SEWER DISTRICT Standard Details of Sewer Construction
 Dr. ROW/SAM Ch. J.C.K. 2000 SHEET 55



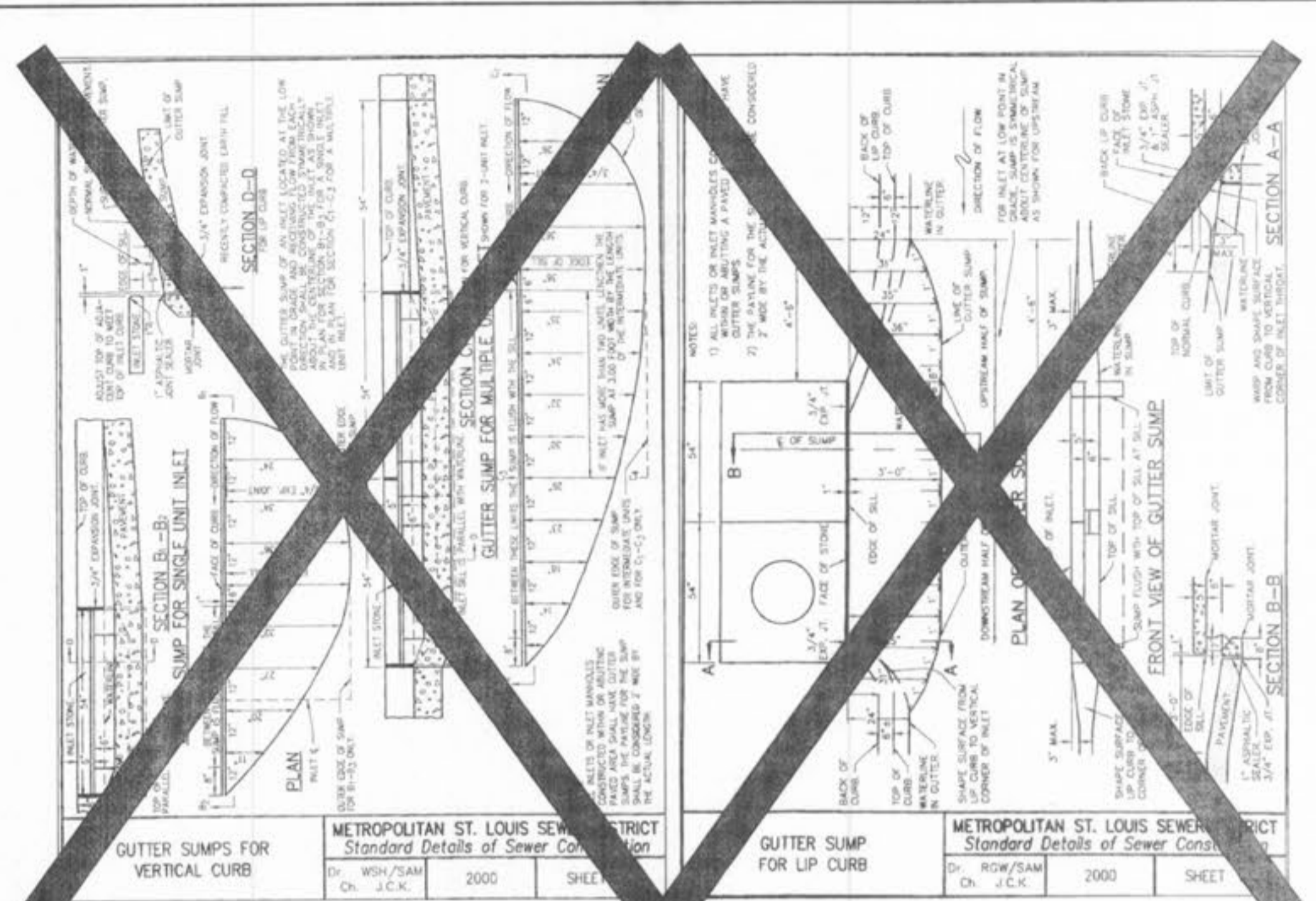
LOCKING DEVICE FOR TYPE "N" LOCK TYPE MANHOLE COVER
 METROPOLITAN ST. LOUIS SEWER DISTRICT Standard Details of Sewer Construction
 Dr. J.G./SAM Ch. J.C.K. 2000 SHEET 56



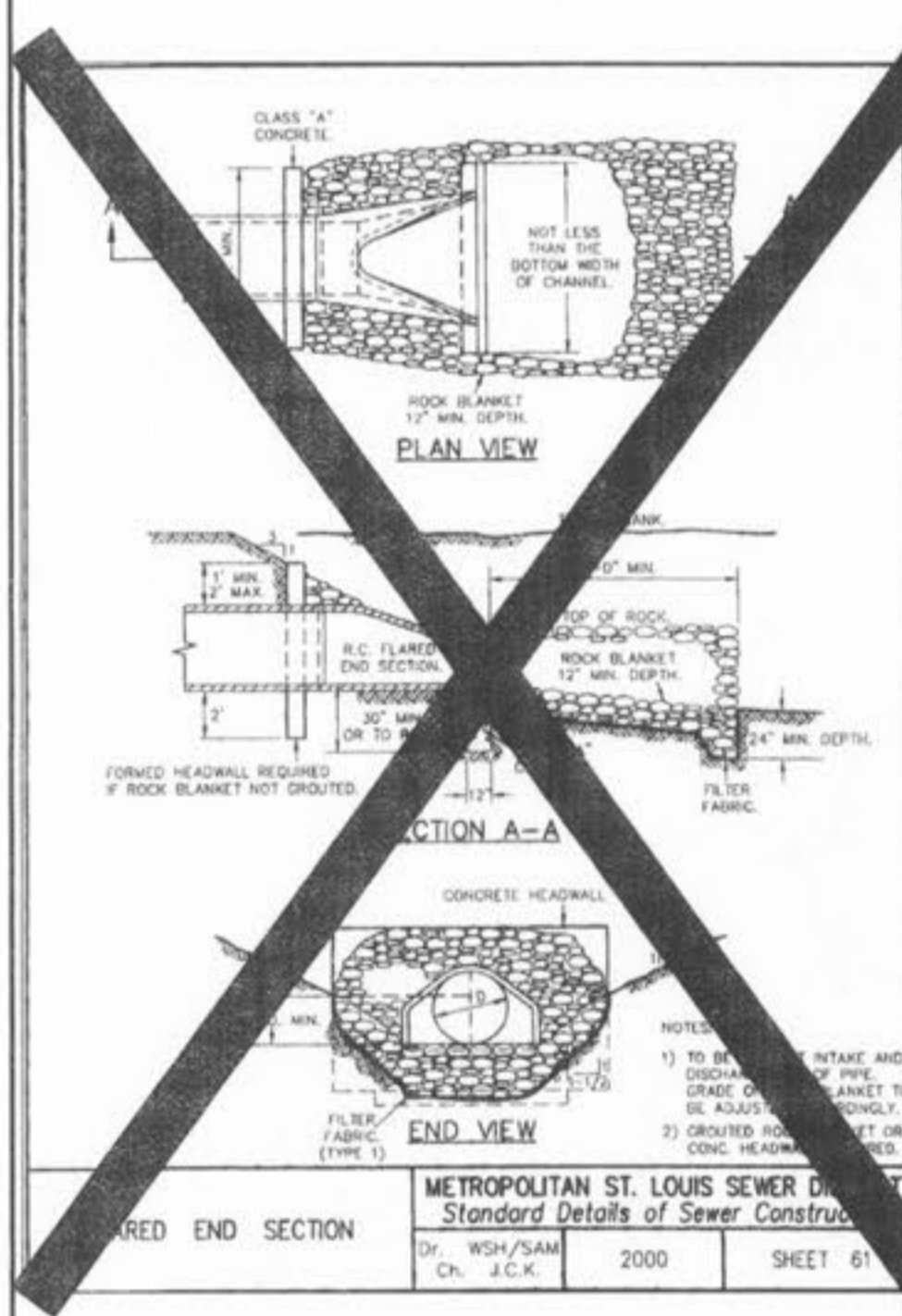
PSI-B MANHOLE STEP INTO JOINT
 METROPOLITAN ST. LOUIS SEWER DISTRICT Standard Details of Sewer Construction
 Dr. W.S.H. Ch. J.C.K. 2000 SHEET 57



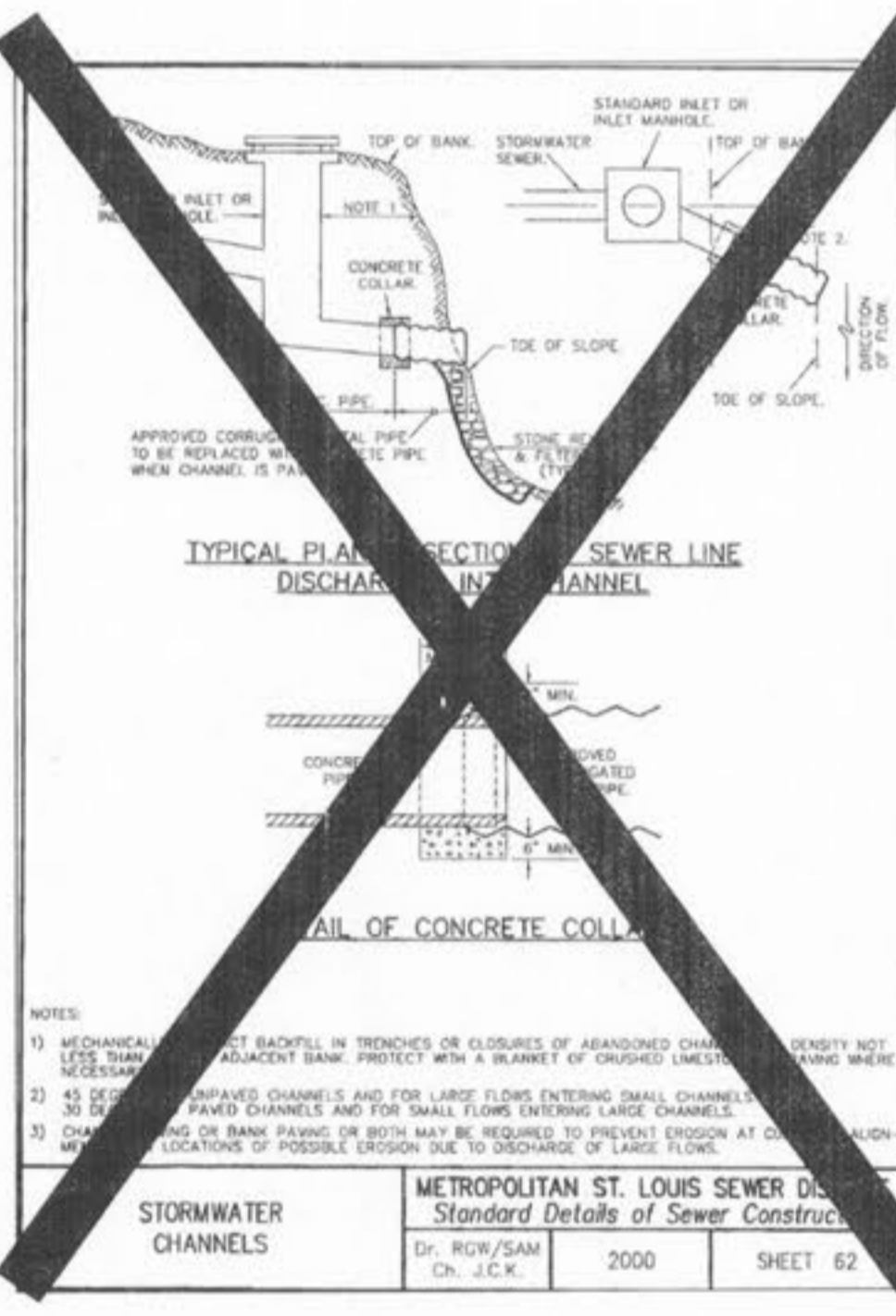
MANHOLE STEP FOR PRECAST & CAST-IN-PLACE MANHOLE
 METROPOLITAN ST. LOUIS SEWER DISTRICT Standard Details of Sewer Construction
 Dr. D.A.B. Ch. J.C.K. 2000 SHEET 58



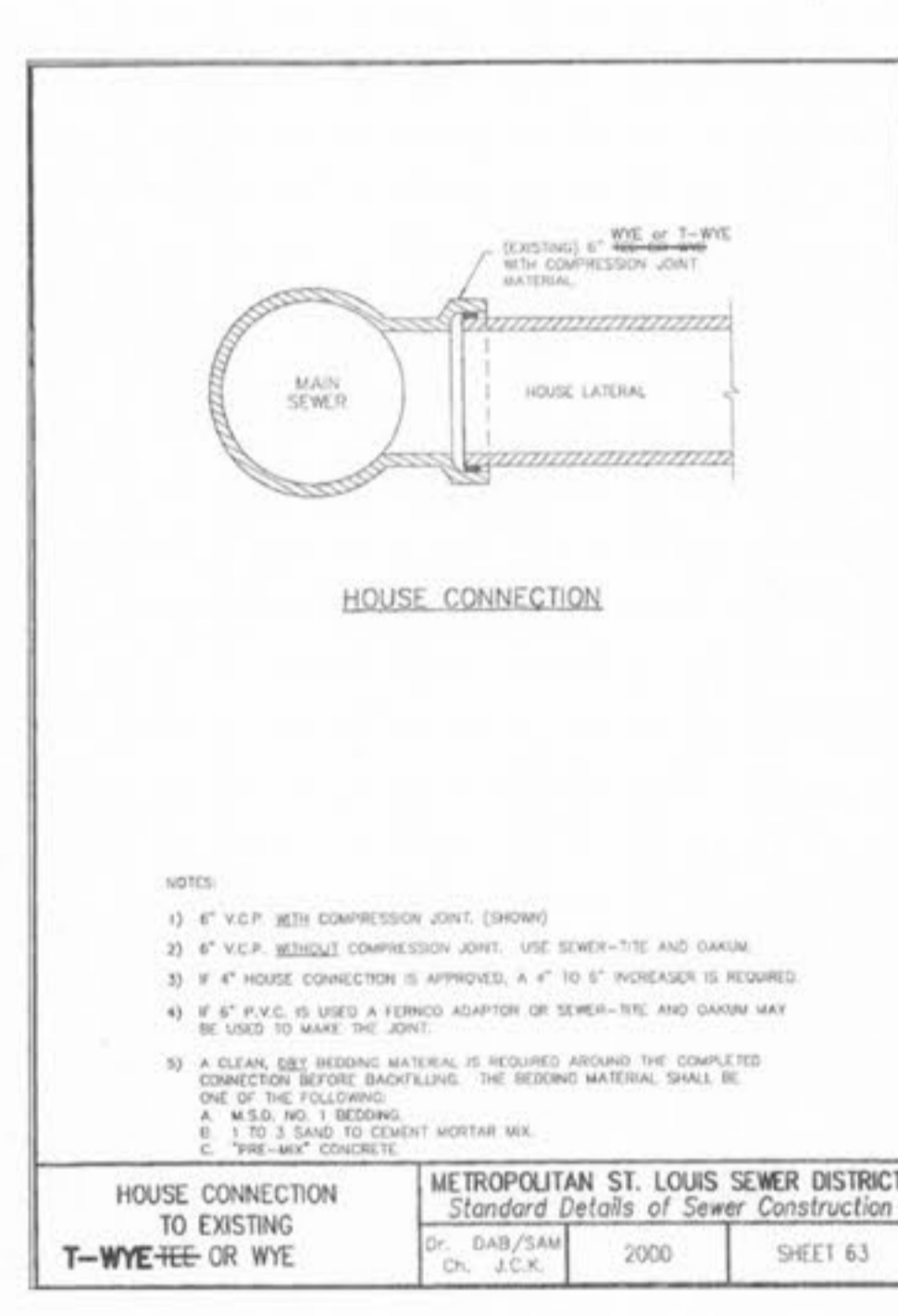
GUTTER SUMPS FOR VERTICAL CURB
 METROPOLITAN ST. LOUIS SEWER DISTRICT Standard Details of Sewer Construction
 Dr. WSH/SAM Ch. J.C.K. 2000 SHEET 59



RED END SECTION
 METROPOLITAN ST. LOUIS SEWER DISTRICT Standard Details of Sewer Construction
 Dr. WSH/SAM Ch. J.C.K. 2000 SHEET 61



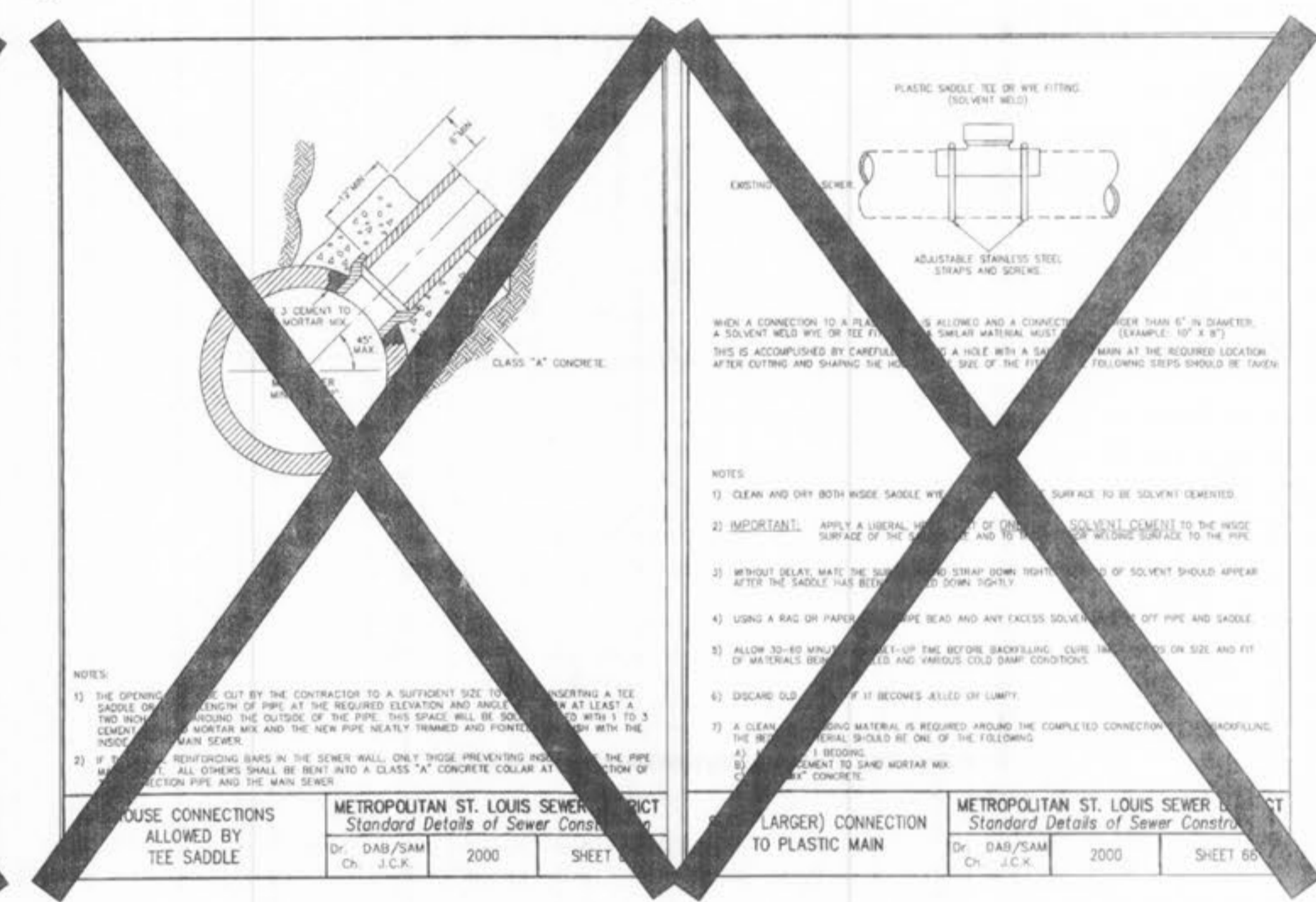
STORMWATER CHANNELS
 METROPOLITAN ST. LOUIS SEWER DISTRICT Standard Details of Sewer Construction
 Dr. ROW/SAM Ch. J.C.K. 2000 SHEET 62



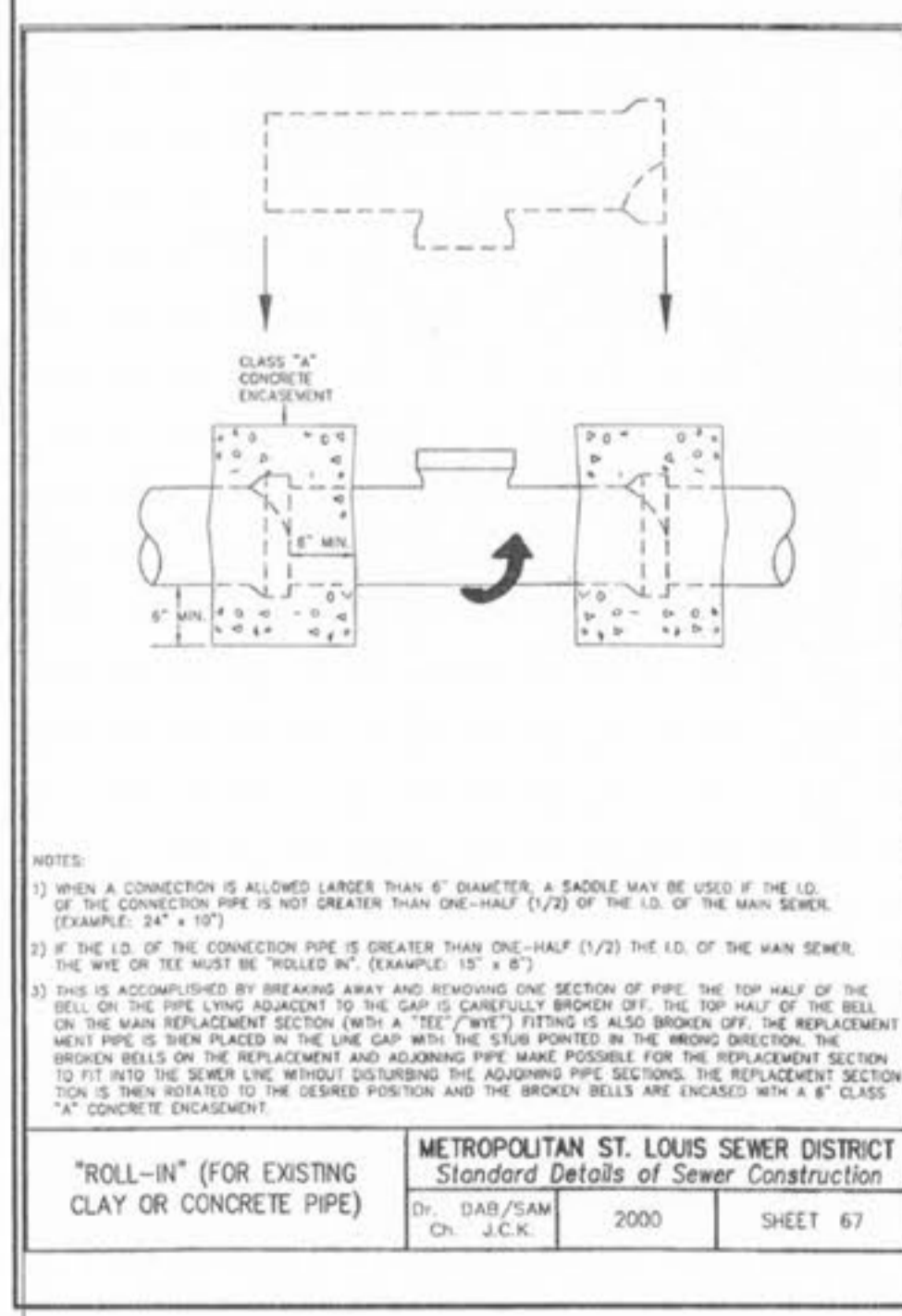
HOUSE CONNECTION TO EXISTING T-WYE OR WYE
 METROPOLITAN ST. LOUIS SEWER DISTRICT Standard Details of Sewer Construction
 Dr. DAB/SAM Ch. J.C.K. 2000 SHEET 63



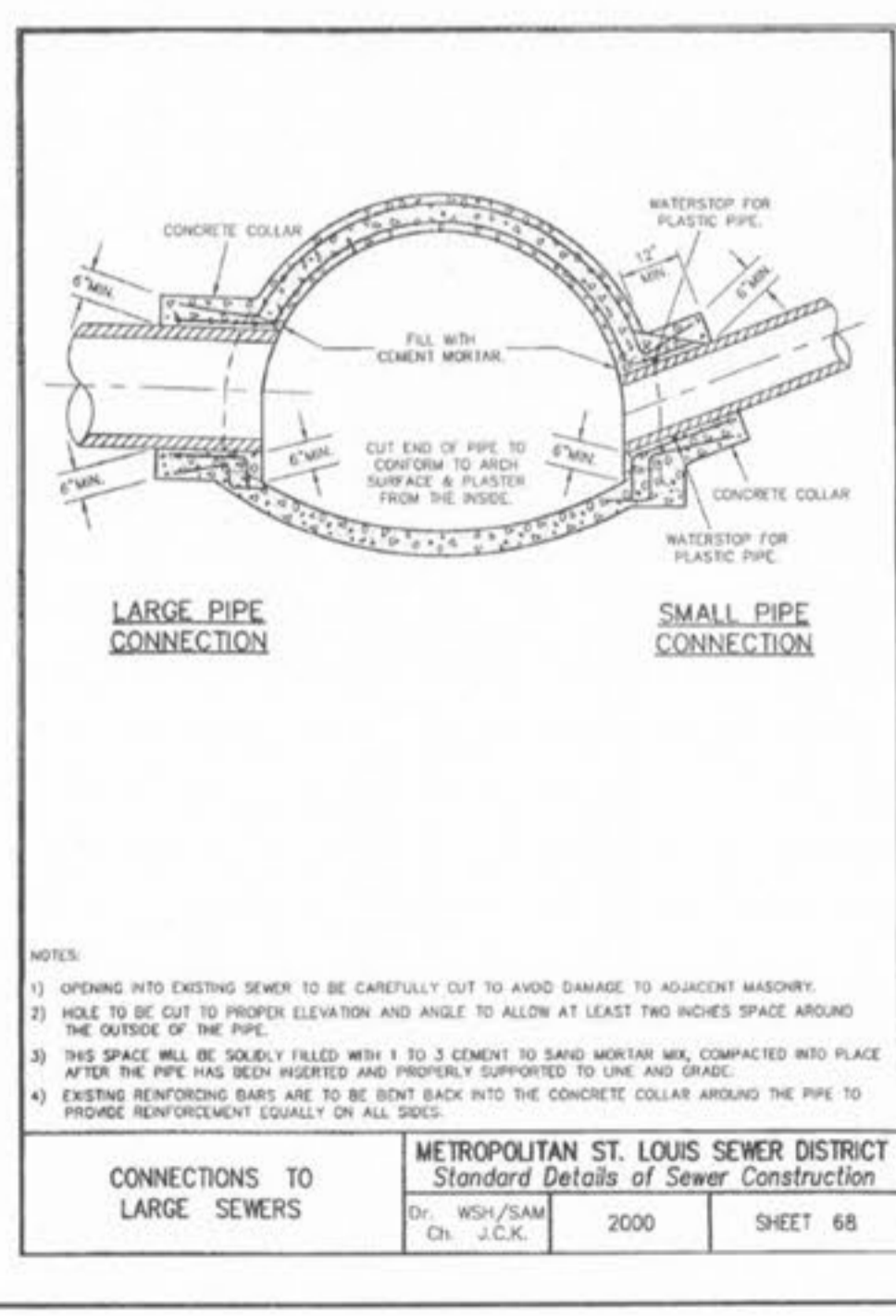
MACHINE TAP
 METROPOLITAN ST. LOUIS SEWER DISTRICT Standard Details of Sewer Construction
 Dr. WSH/SAM Ch. J.C.K. 2000 SHEET 64



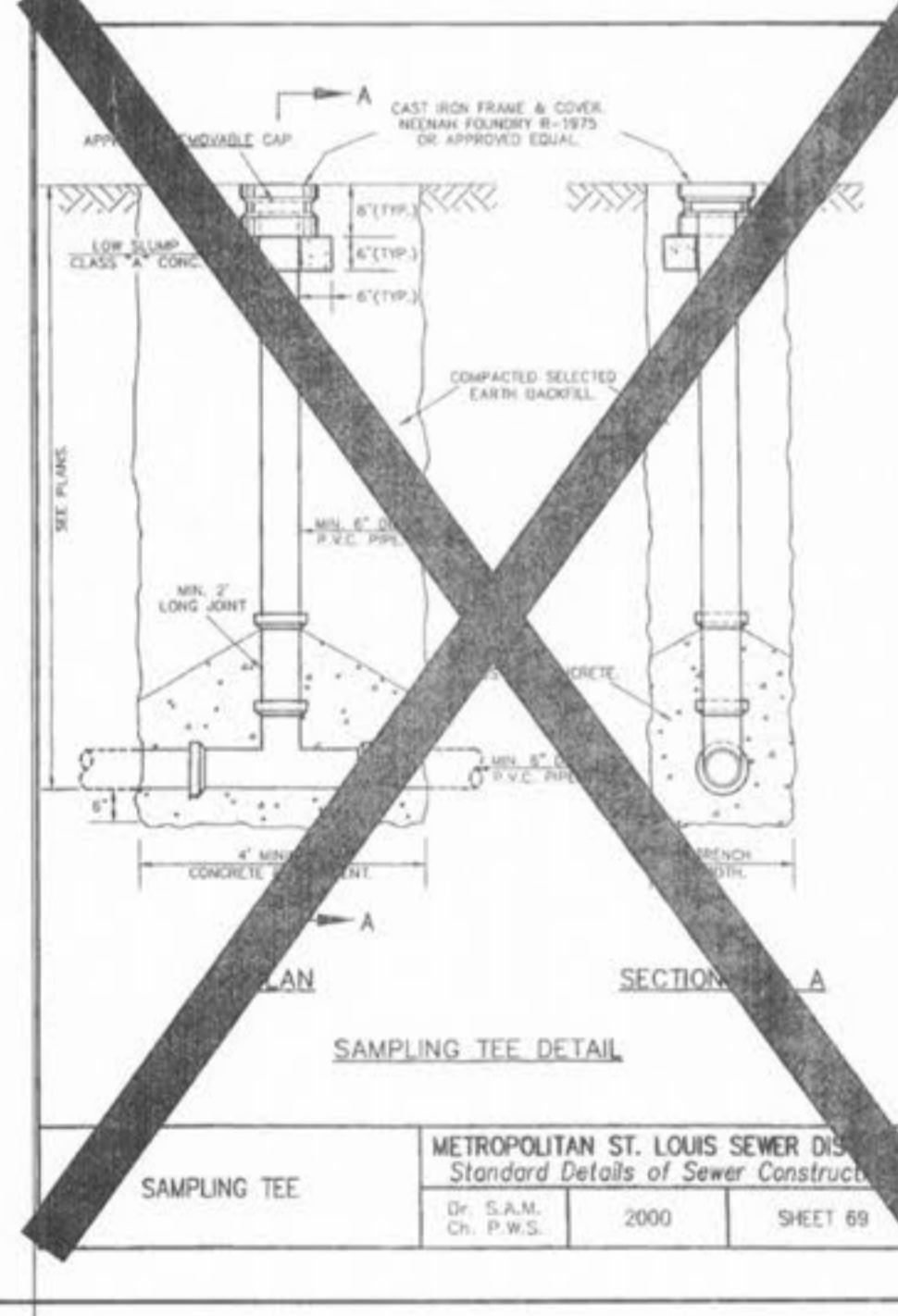
LAGER CONNECTION TO PLASTIC MAIN
 METROPOLITAN ST. LOUIS SEWER DISTRICT Standard Details of Sewer Construction
 Dr. DAB/SAM Ch. J.C.K. 2000 SHEET 65



"ROLL-IN" (FOR EXISTING CLAY OR CONCRETE PIPE)
 METROPOLITAN ST. LOUIS SEWER DISTRICT Standard Details of Sewer Construction
 Dr. DAB/SAM Ch. J.C.K. 2000 SHEET 67



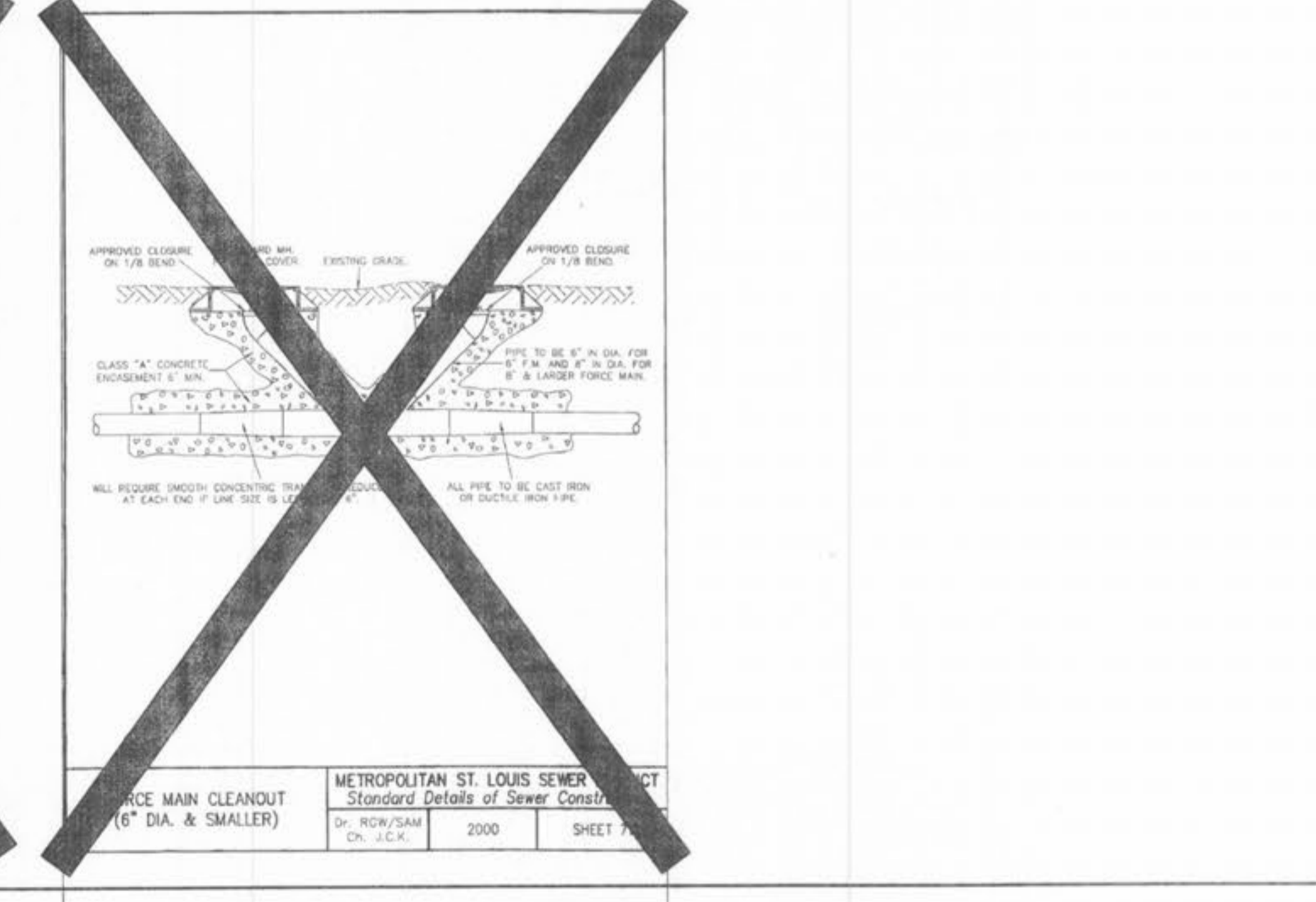
CONNECTIONS TO LARGE SEWERS
 METROPOLITAN ST. LOUIS SEWER DISTRICT Standard Details of Sewer Construction
 Dr. WSH/SAM Ch. J.C.K. 2000 SHEET 68



SAMPLING TEE
 METROPOLITAN ST. LOUIS SEWER DISTRICT Standard Details of Sewer Construction
 Dr. S.A.M. Ch. P.W.S. 2000 SHEET 69



SIGNS
 METROPOLITAN ST. LOUIS SEWER DISTRICT Standard Details of Sewer Construction
 Dr. W.S.H. Ch. J.C.K. 2000 SHEET 70



SPACE MAIN CLEANOUT (6\"/>
 METROPOLITAN ST. LOUIS SEWER DISTRICT Standard Details of Sewer Construction
 Dr. ROW/SAM Ch. J.C.K. 2000 SHEET 71