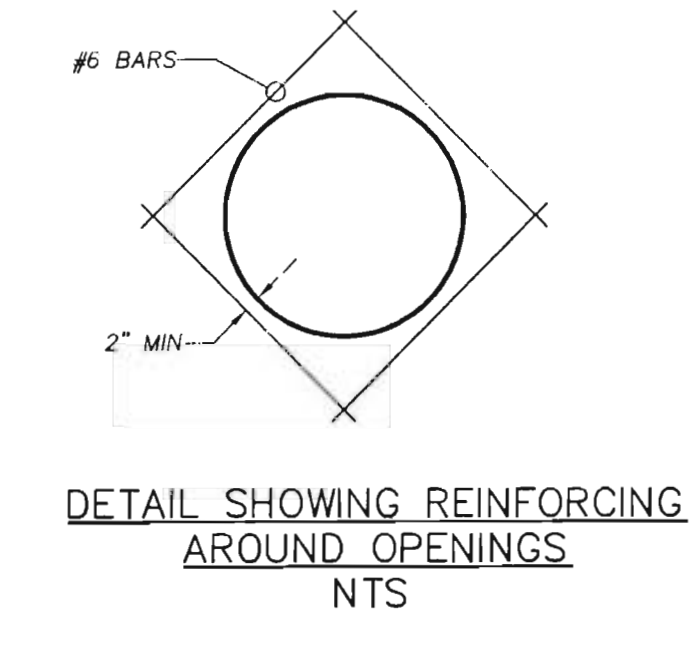
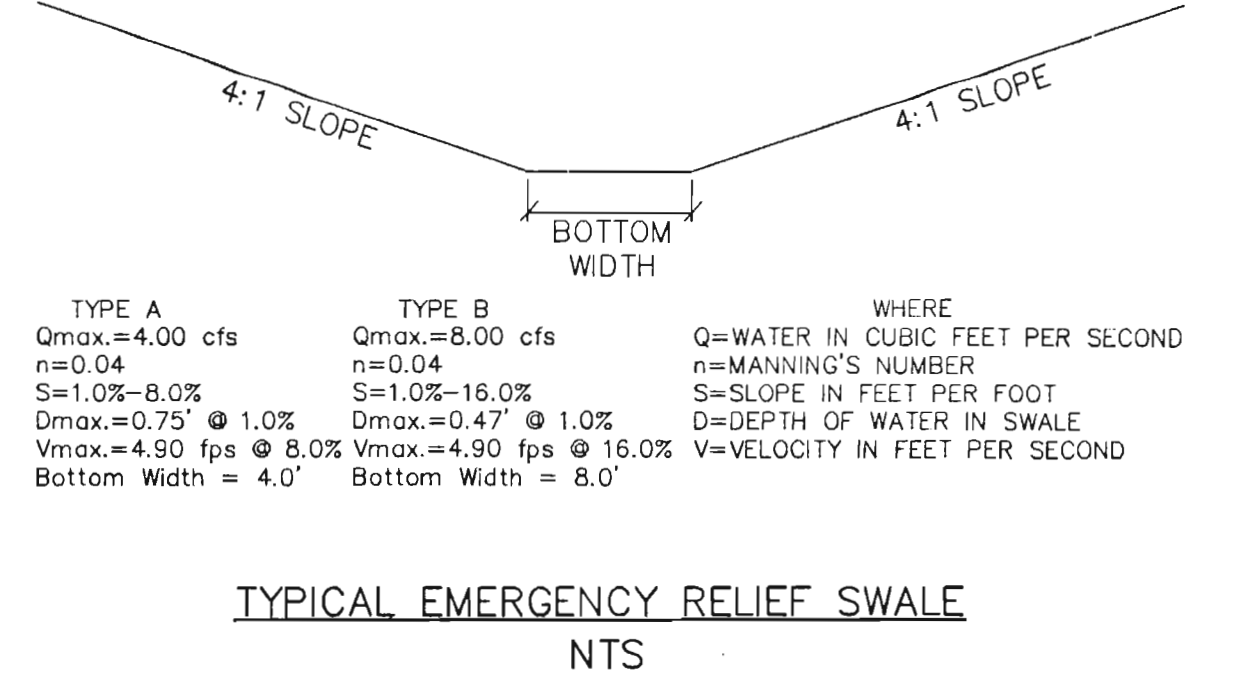
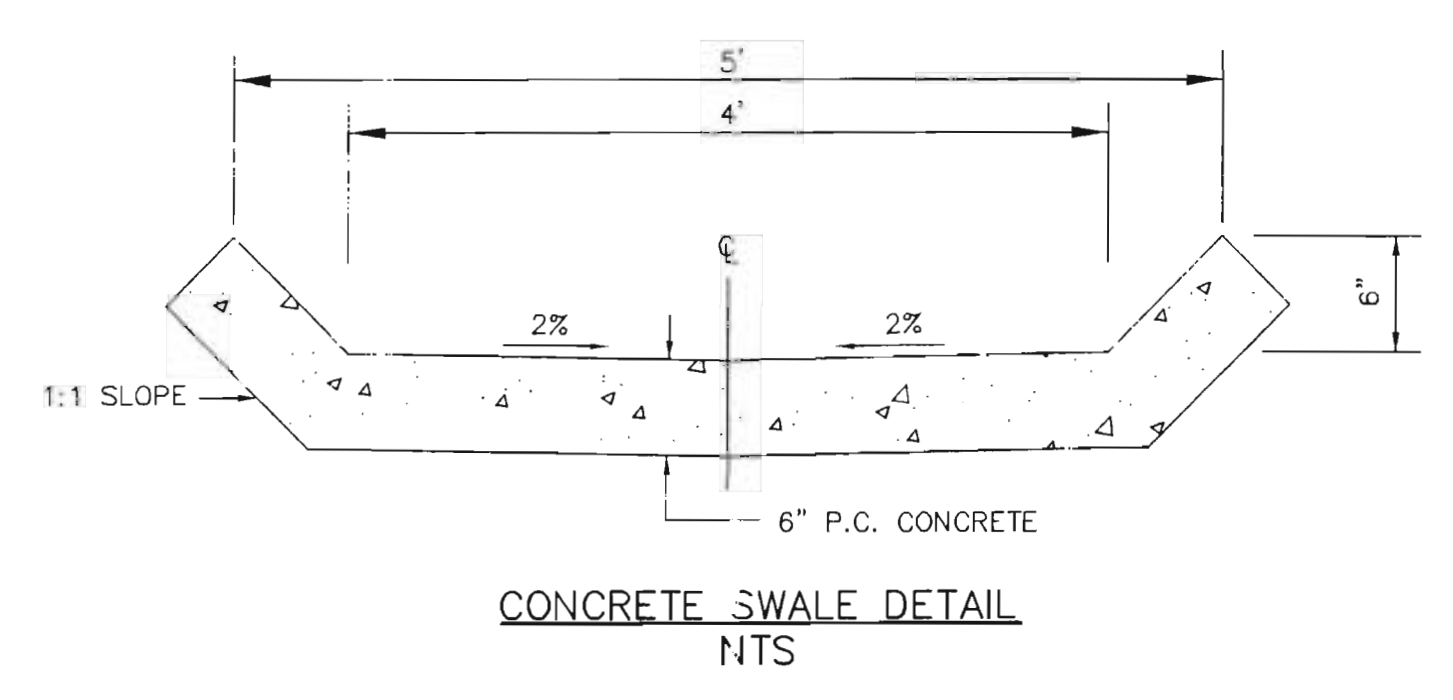
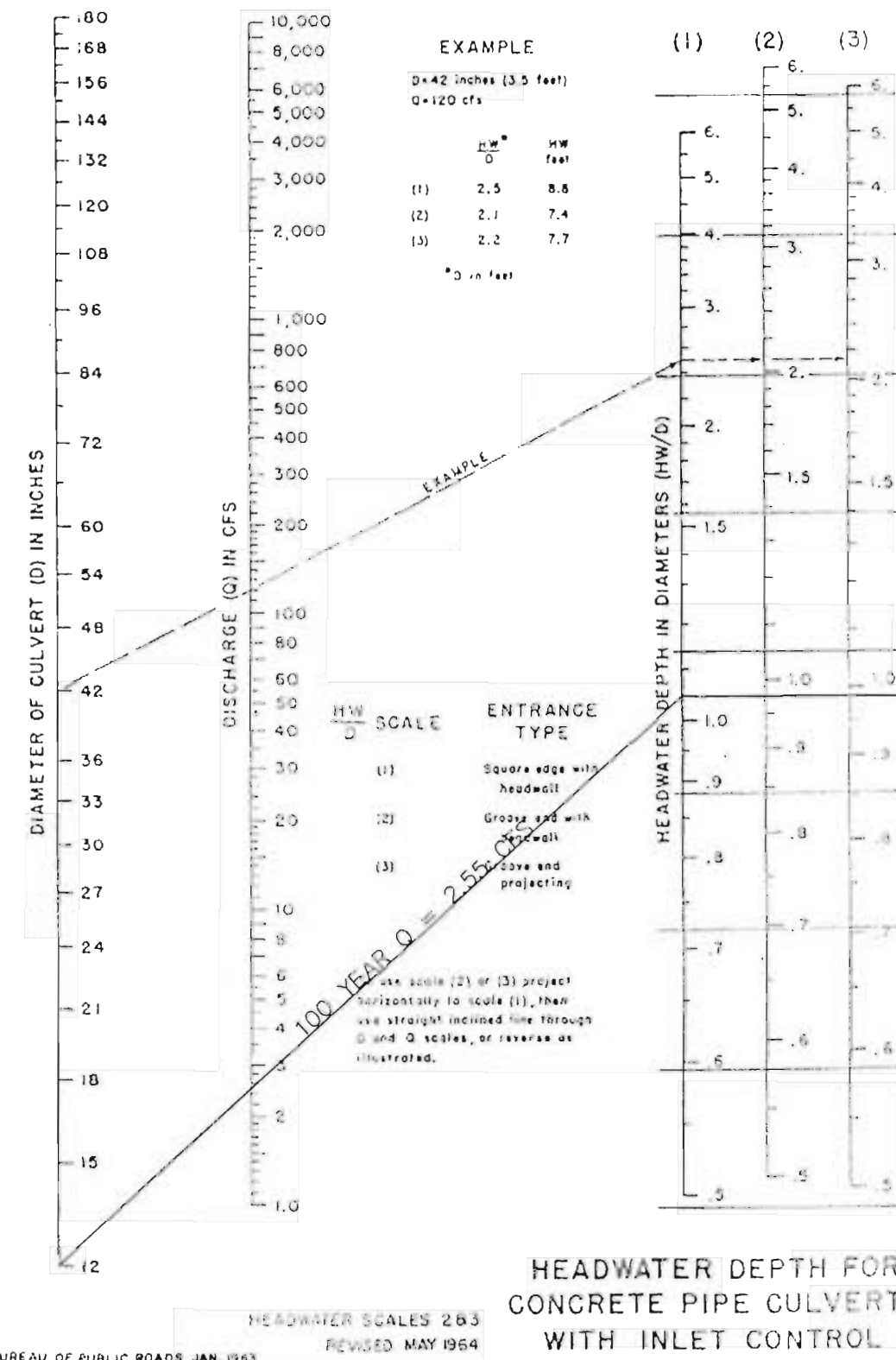


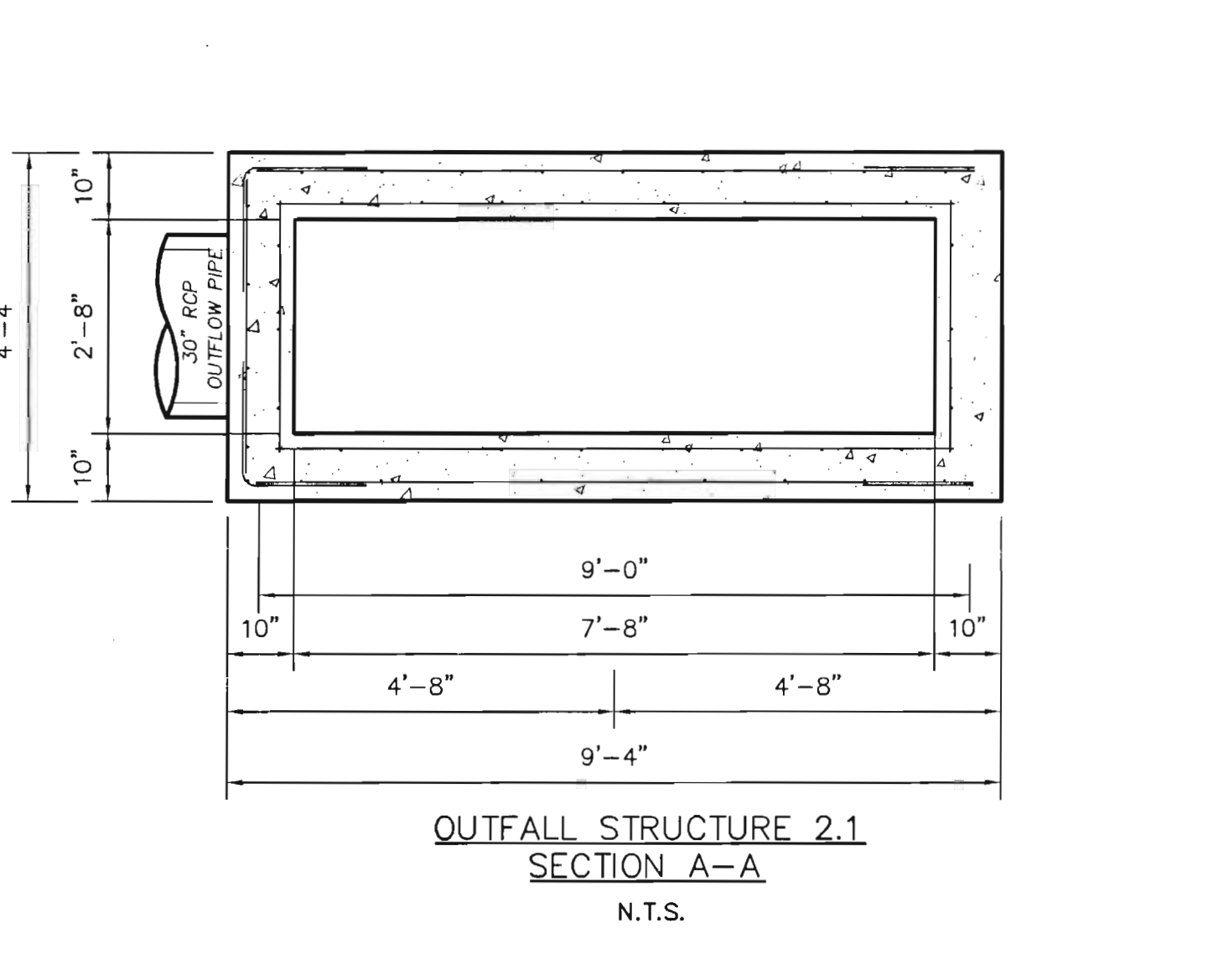
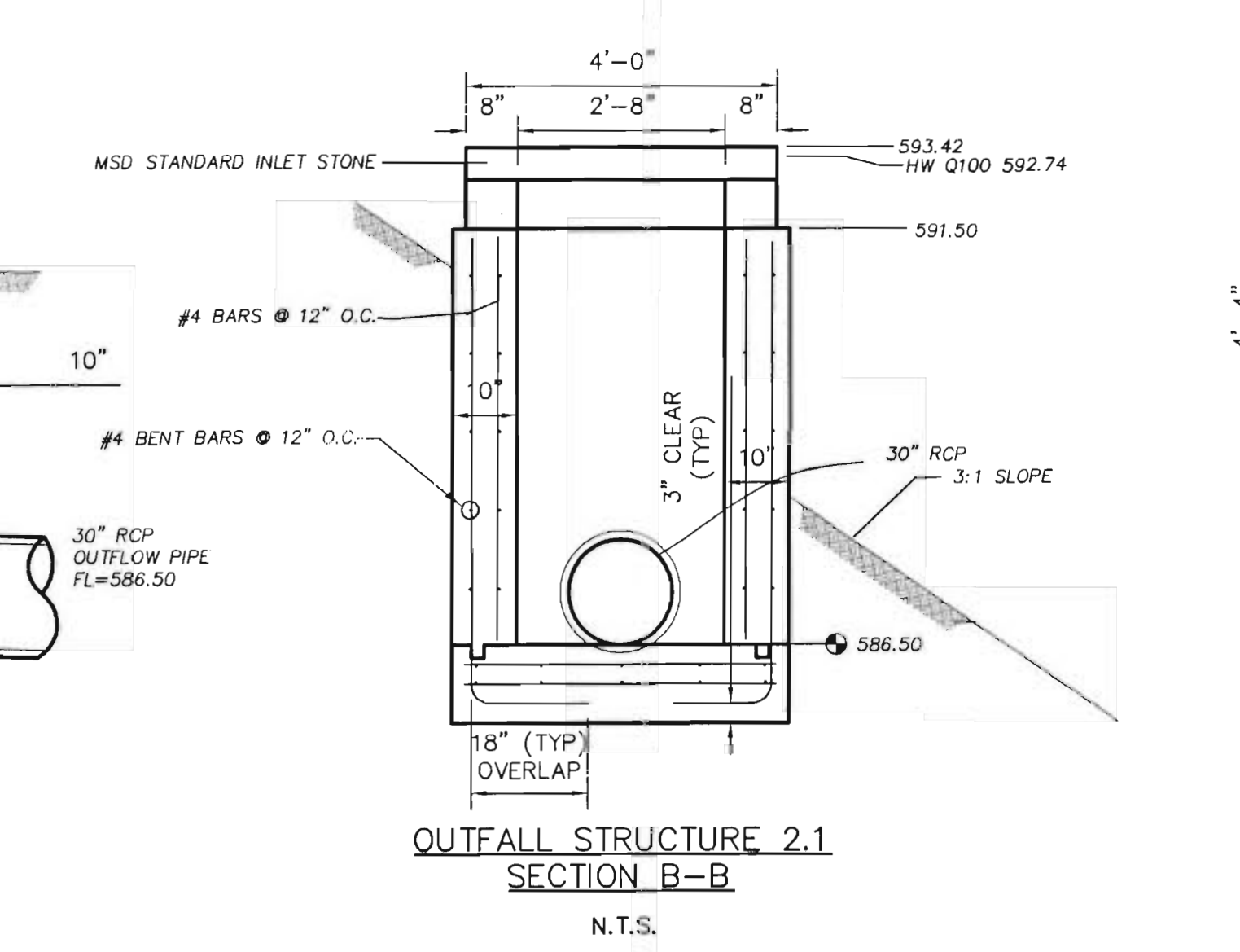
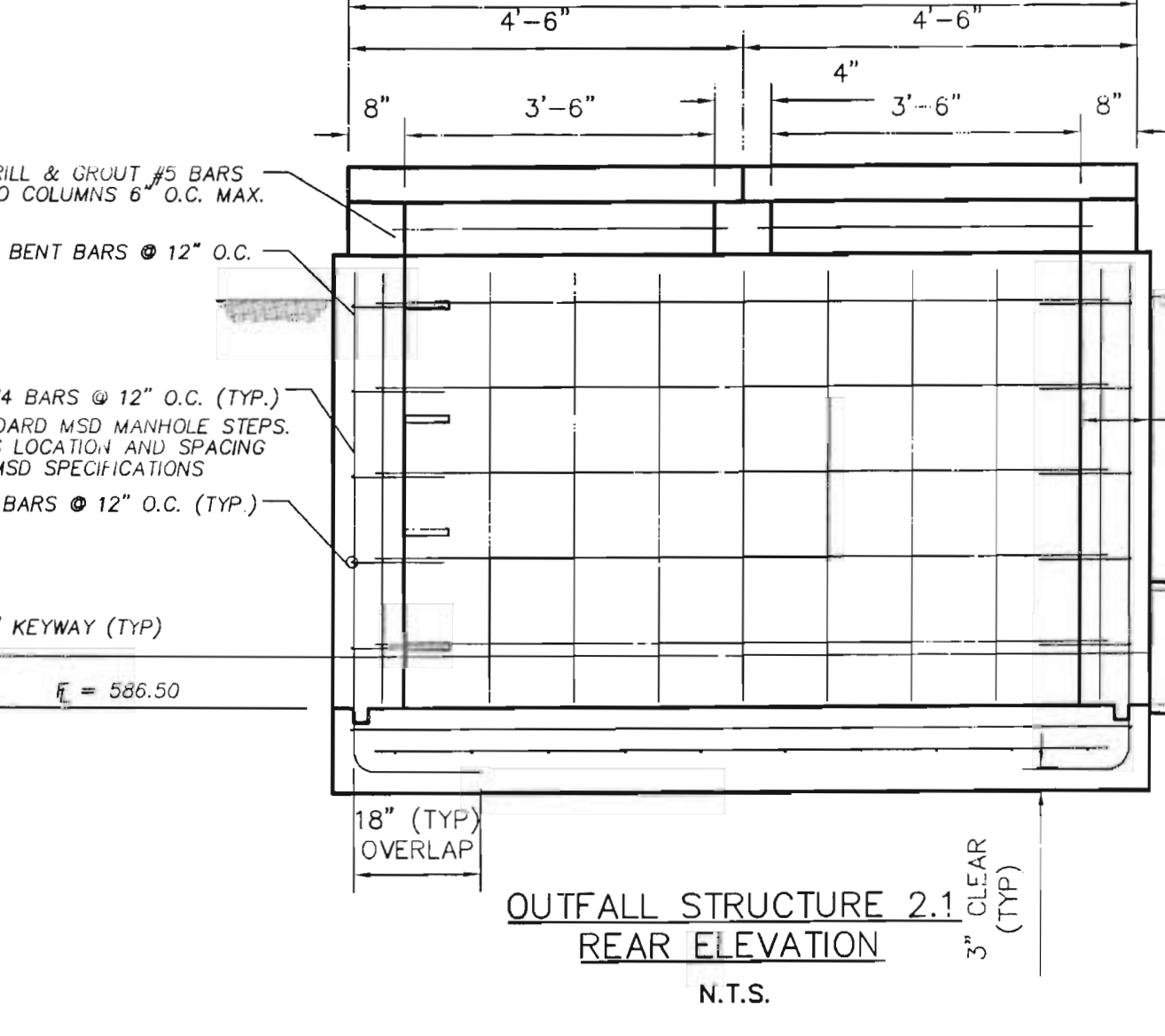
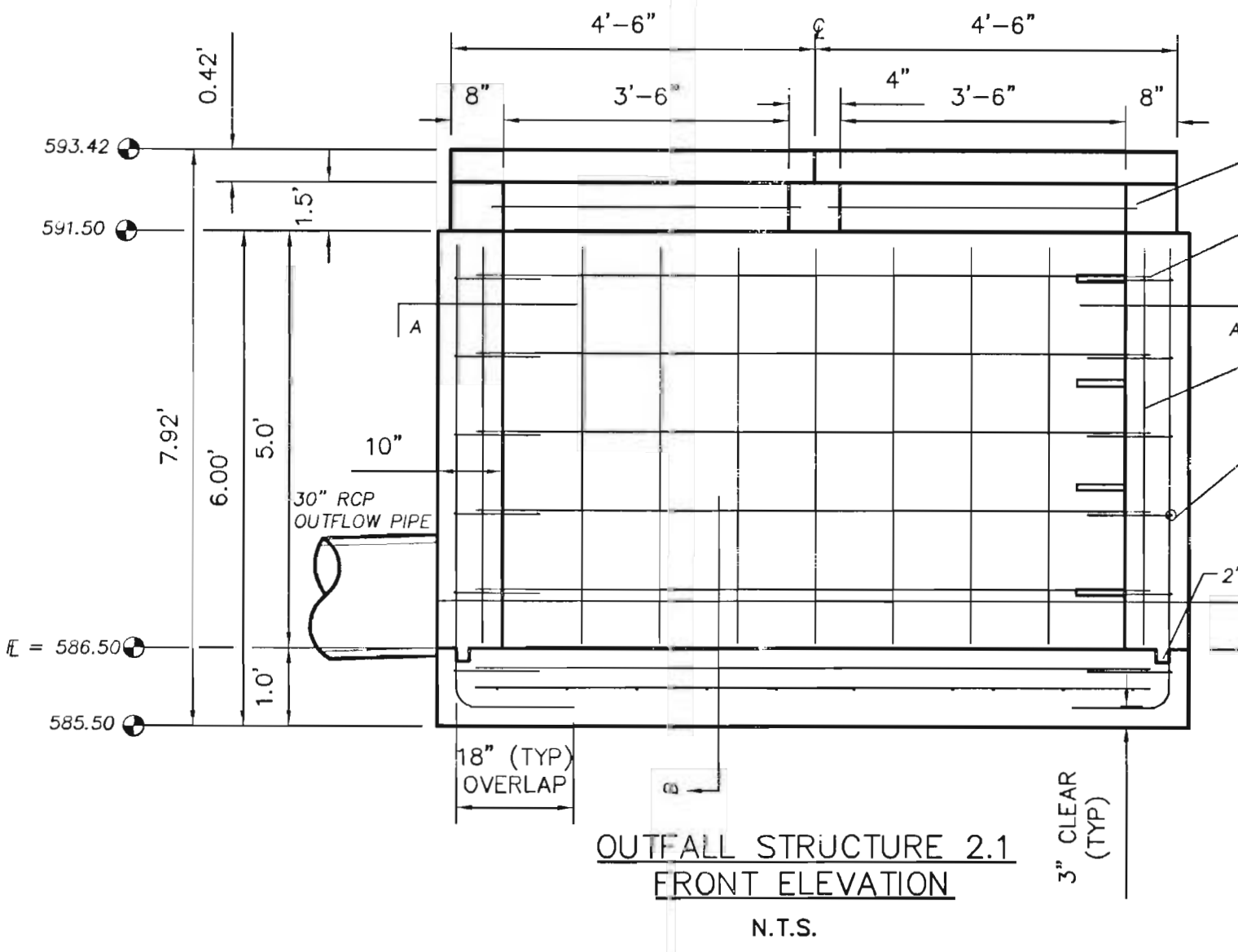
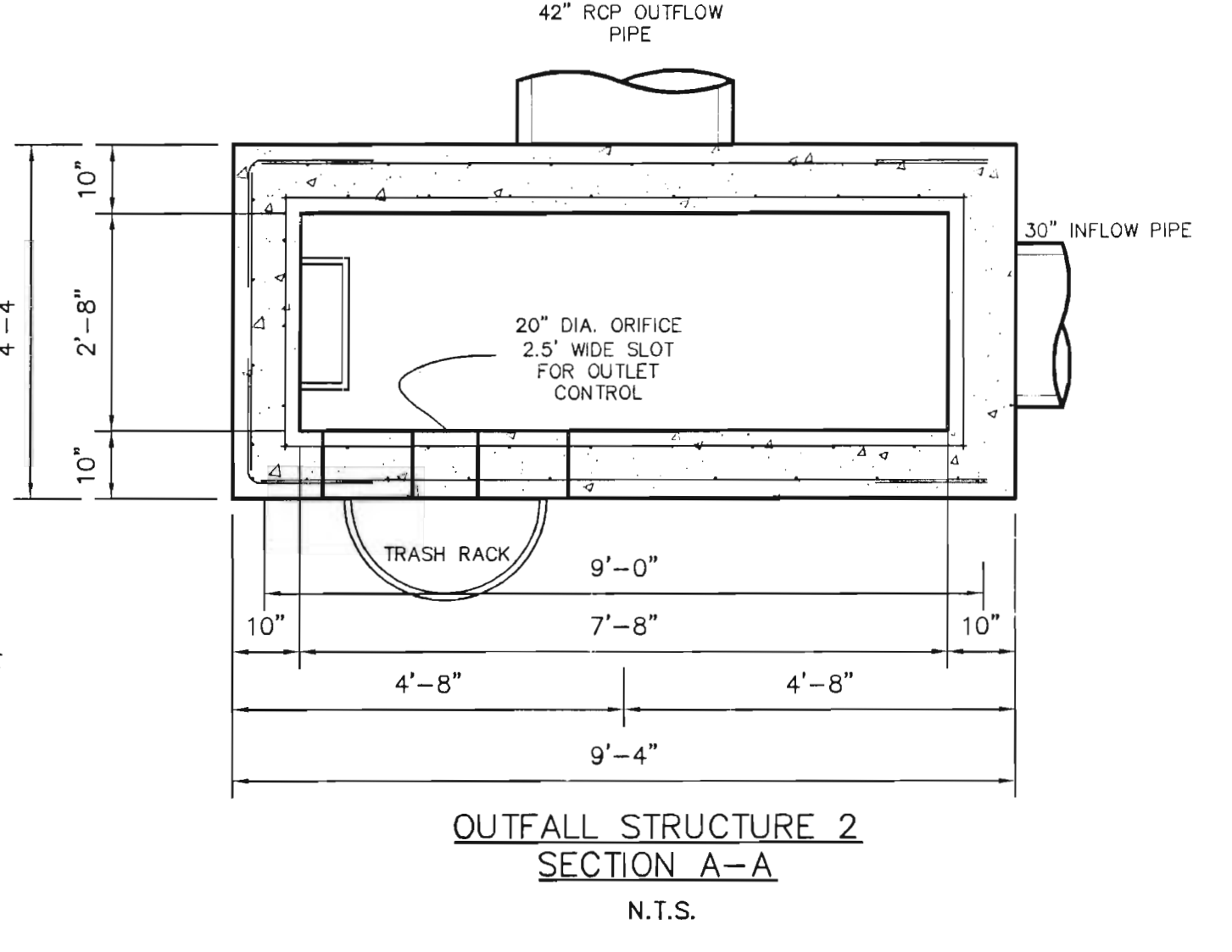
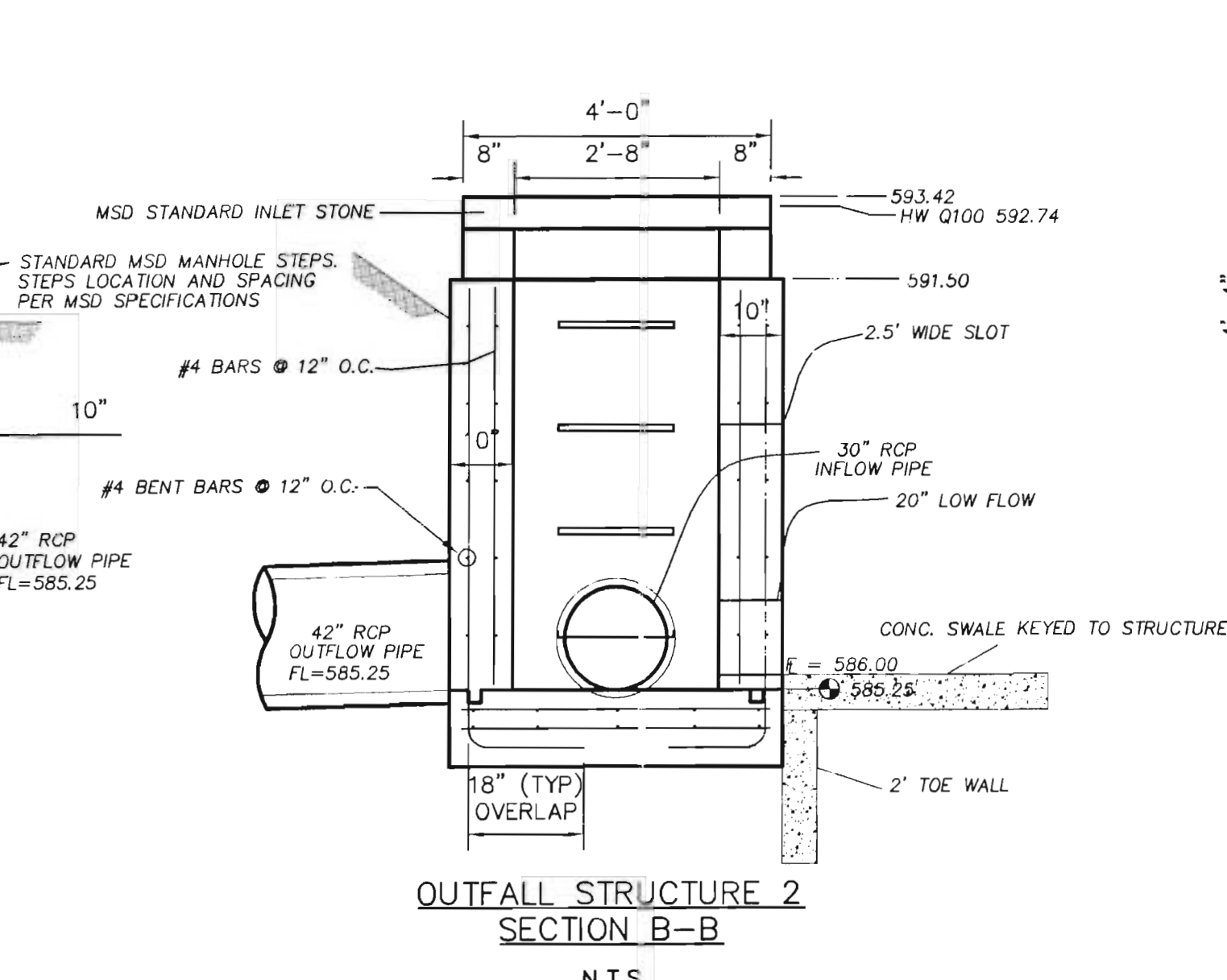
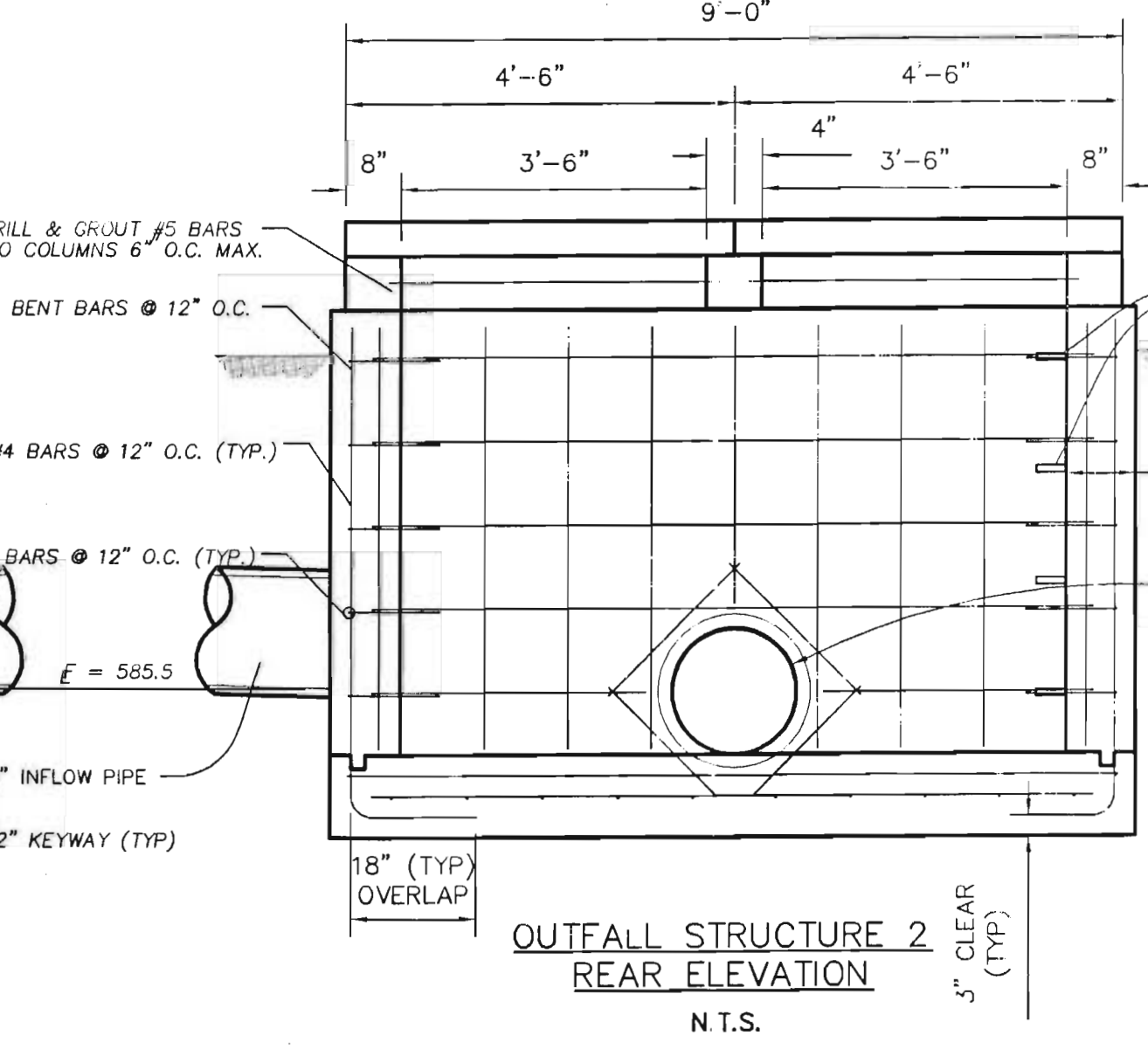
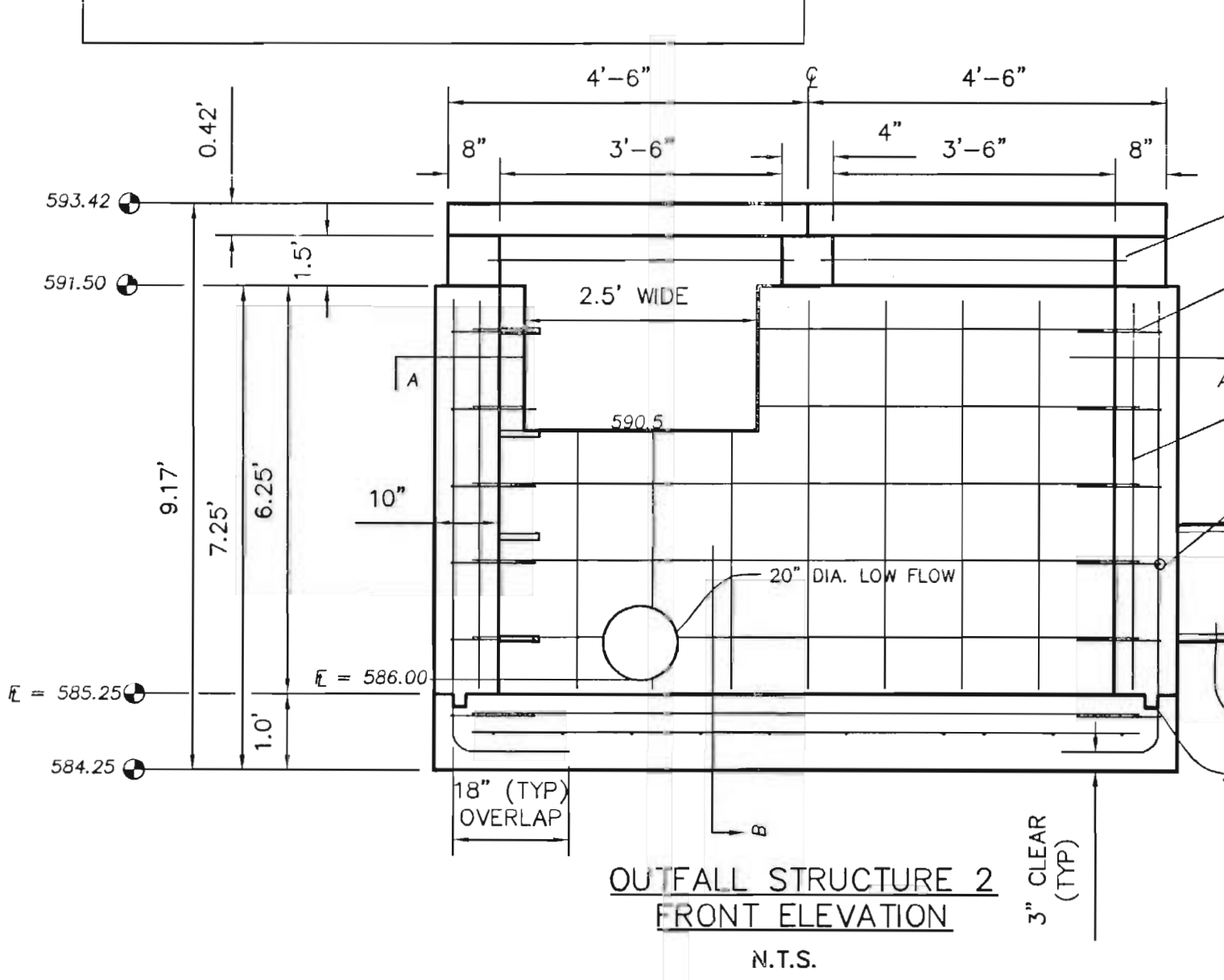
OUTFALL STRUCTURE #2 & #2.1

2 YEAR, 24 HOUR STORM 590.32
 10 YEAR, 24 HOUR STORM 592.19

25 YEAR, 24 HOUR STORM 592.47
 100 YEAR, 24 HOUR STORM 592.74



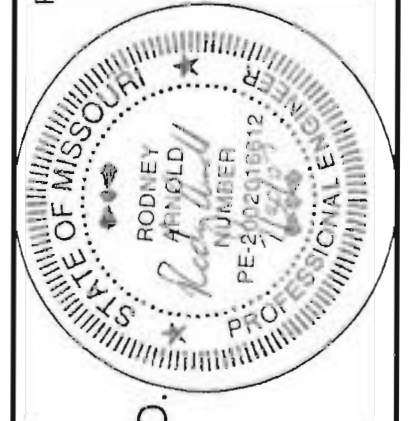
- CONSTRUCTION NOTES:**
- Concrete for the structure shall be "air entrained" and contain at least 6 sack Class "A" Portland Cement per cubic yard. The concrete shall be placed at a slump of 4 inches ± 1/2 inch. The concrete shall be proportioned and transported in accordance with ASTM C-94.
 - Reinforcing steel shall conform to ASTM C-615-60 with deformations conforming to ASTM A-305 and shall have a minimum cover of 2 inches except for 3 inches where concrete is poured against earth.
 - Laps and/or splices in reinforcing steel shall be a minimum of 30 bar diameters.
 - Keyed joints shown are to be 2-inch by 2-inch keyed construction joints.
 - Fy = 60,000 psi
 - Fc = 3,500 psi
 - All exposed edges are to have a 3/4-inch Chamfer.
 - Contractor to provide for bypass of stormwater during construction of structure.
 - Soil density tests shall be obtained by the soils engineer at selected intervals to insure compliance with soils specifications.
 - All soil specifications shall be directed by soils engineer.
 - 2" clear (typ) to closest rebar to concrete surface. Unless noted otherwise.



ISSUE REMARKS/DATE

1	10-17-06	FIRST SUBMITTAL
2	12-11-06	REVISED PER DCSD & PMSD #1 COMMENTS
3	12-28-06	REVISED PER ST. CHARLES CO. COMMENTS
4	07-23-07	REV. PER ST. CHARLES CO. & OFALLON
5	02-09-07	REVISED PER DCSD & PMSD #2 COMMENTS
6	06-29-07	REVISED PER DEVELOPER COMMENTS
7	07-30-07	REV. PER ST. CH. CO. DCSD & PMSD#2 COMM.

PREPARED FOR:
CROSS DEVELOPMENT OF MISSOURI INC.
 1609 PROSPECT VILLAGE DR.
 LAKE ST. LOUIS, MO. 63367
 314-713-4054



PREPARED BY:
THE STERLING CO.
 ENGINEERS & SURVEYORS
 5655 NEW BAUMGARTNER ROAD
 LOUISIANA, MISSOURI 63029
 314-713-4054
 E-Mail: Sterling@sterling-eng-sur.com

PROJECT: **THE ENCLAVE AT SOMMERS POINTE**

NO. **07 06 123**

M.S.D. SHEET **9.1**

DIGITAL FILE LOCATION: **OF**

DRAWN: _____ DESIGNED: _____ CHECKED: _____

SHEET TITLE: **OUTFALL STRUCTURE**