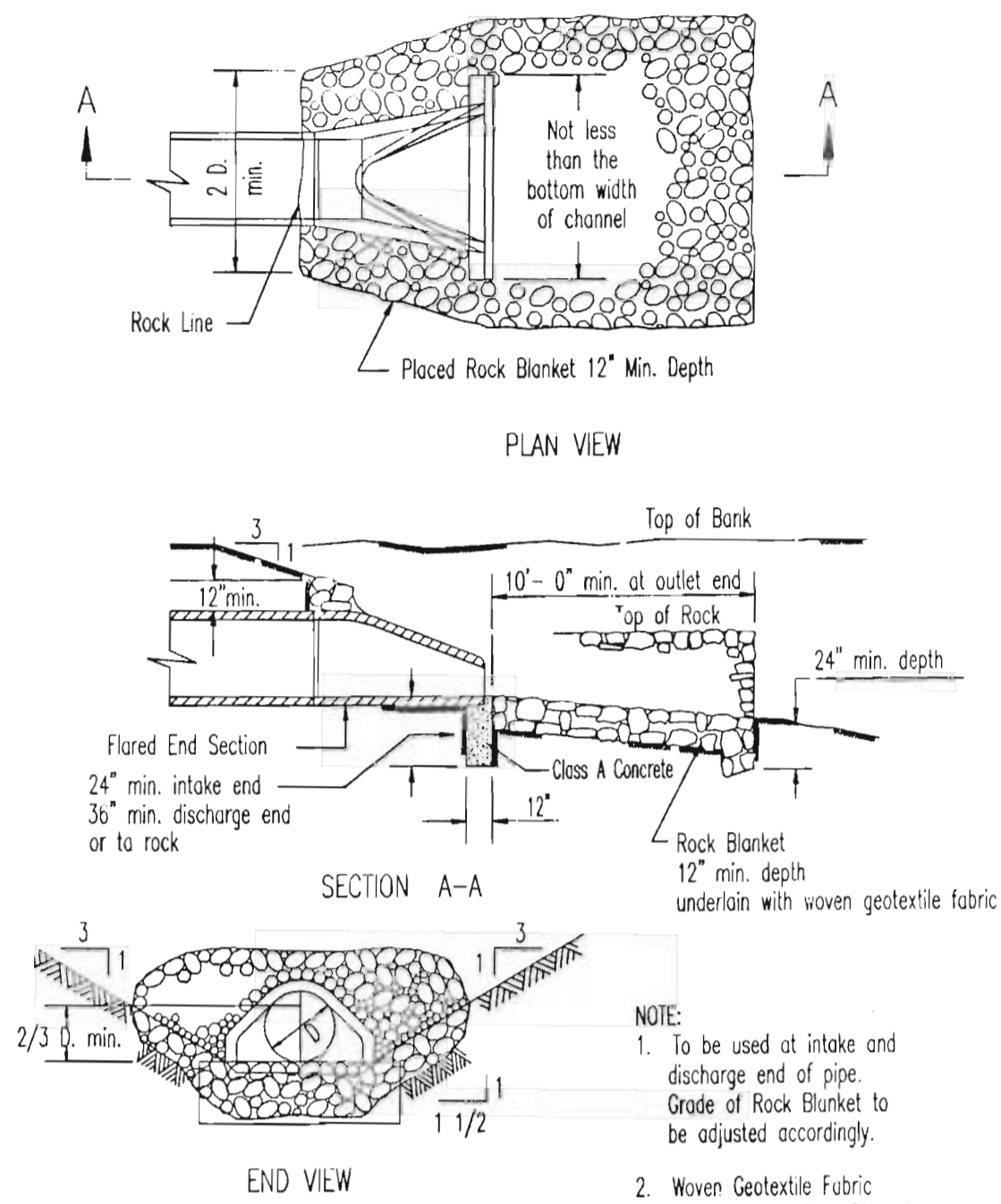
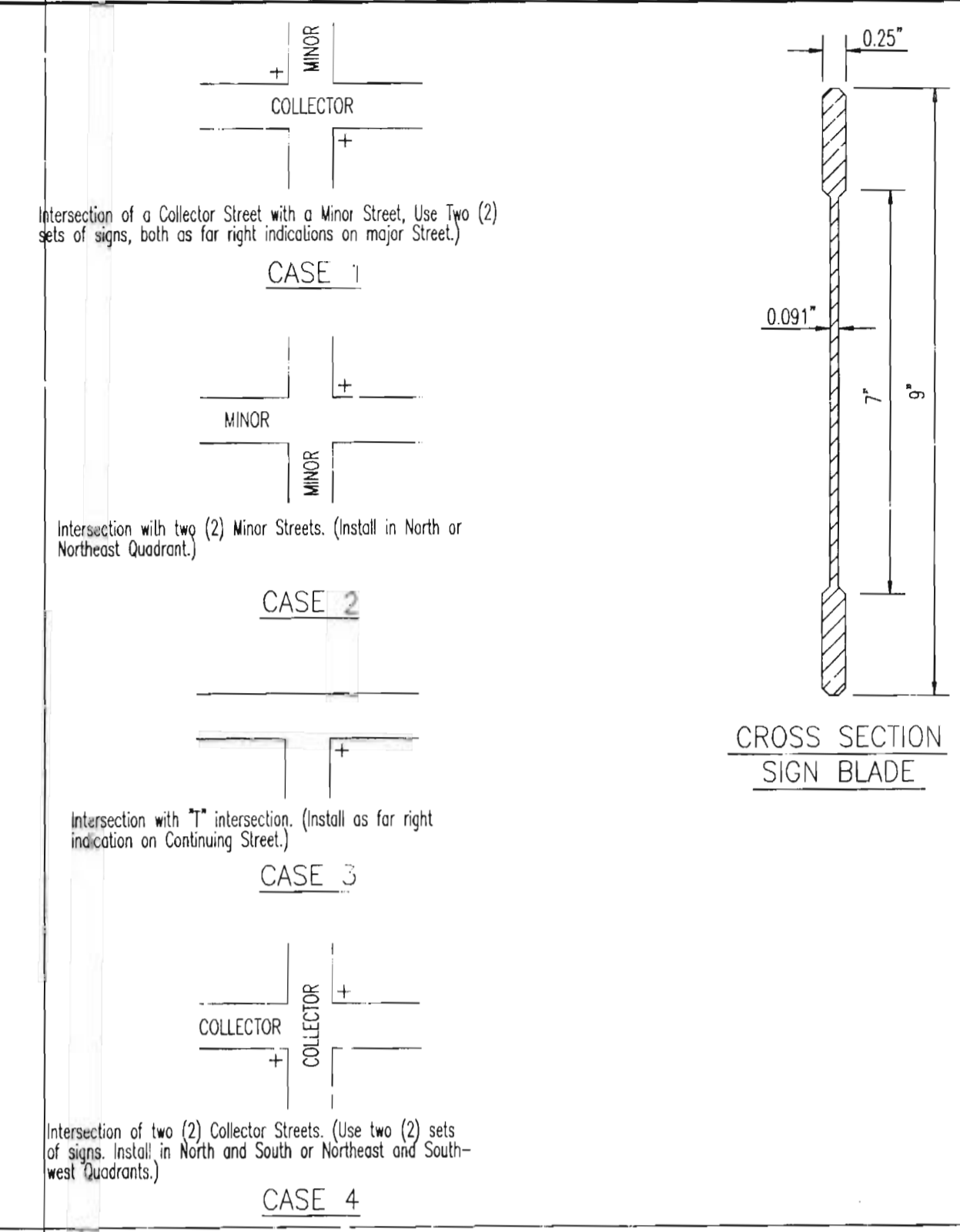


Drawing name: K:\064687-PRINTE LCM\4\4\4\MP\FORM\DETAILS.dwg Plotted on: Jul 10, 2007 - 8:39am Plotted by: jwetkous



NOTE:
 1. To be used at intake and discharge end of pipe. Grade of Rock Blanket to be adjusted accordingly.
 2. Woven Geotextile Fabric required under Rock Blanket.

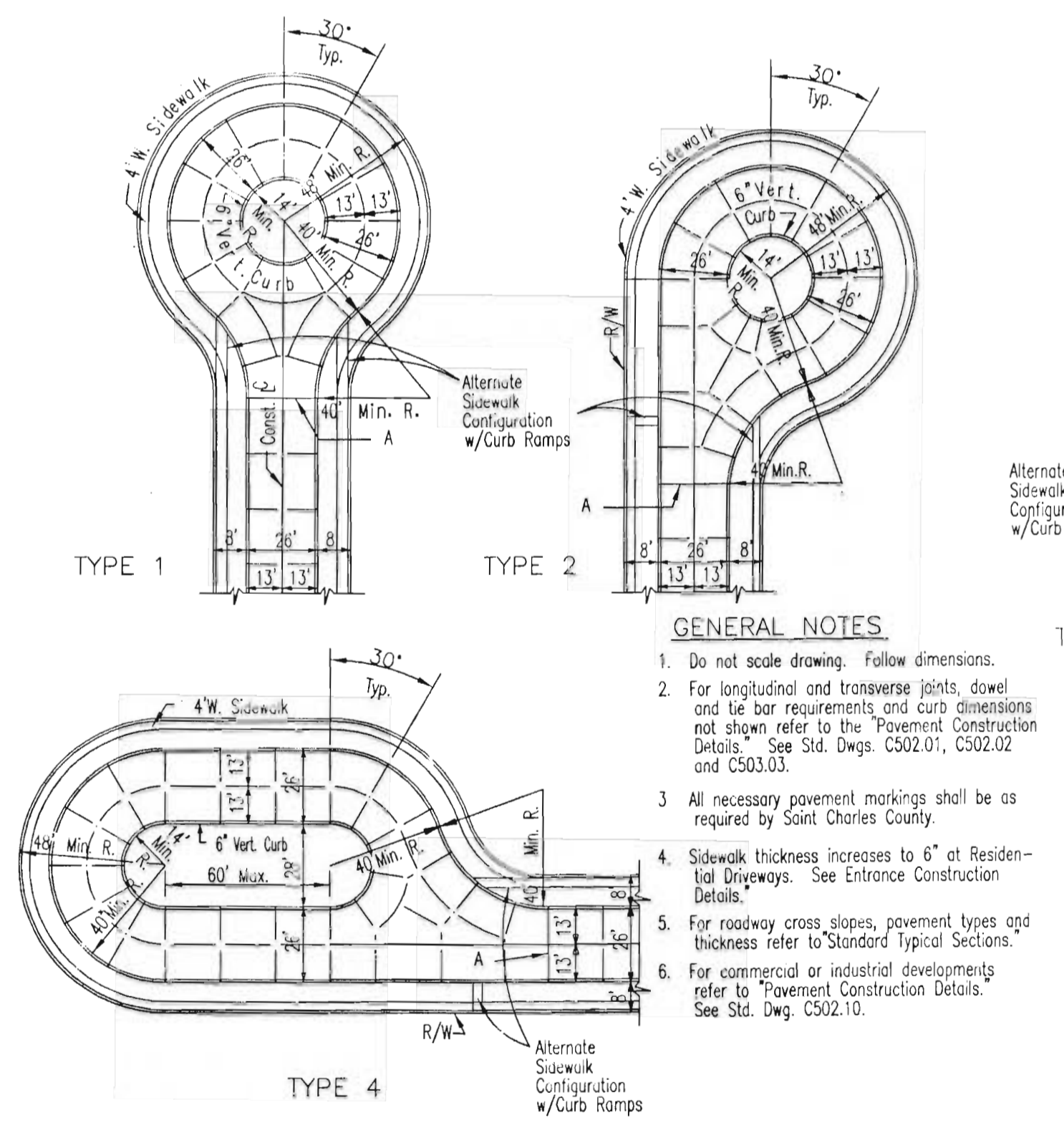
SAINT CHARLES COUNTY
 HIGHWAY DEPARTMENT
 ST. CHARLES, MISSOURI
 SEWER CONSTRUCTION DETAILS
FLARED END SECTION (INLET/OUTLET PROTECTION)
 SHE: September, 2002 DRAWING: C504.42



GENERAL NOTES

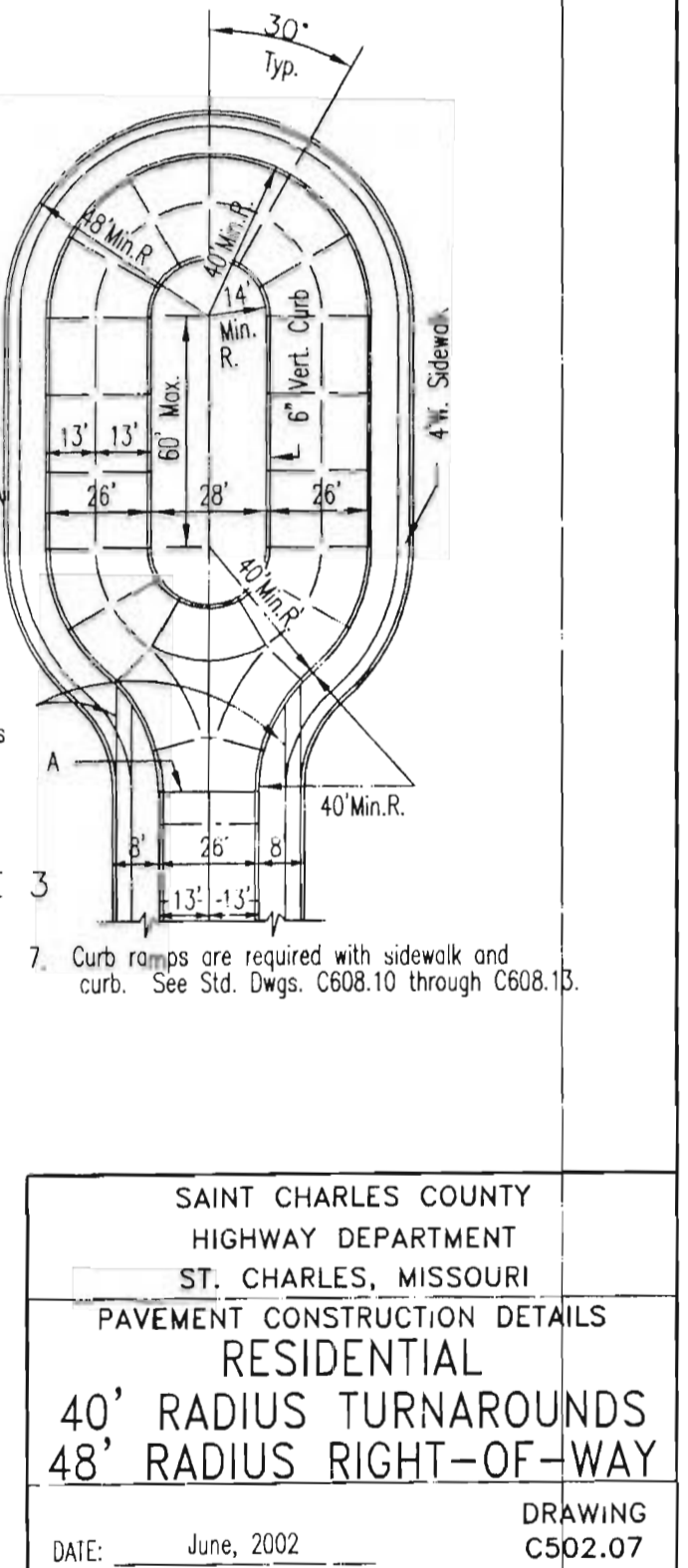
- Street Name Sign plates shall be 9 inches wide extruded aluminum panels in 30, 36, 42, 48, 52 and 54 inch lengths per drawing shown on this exhibit.
- Sign Legend shall be 6 inch Series C Reflective White lettering for Street Name and 4 inch Reflective Series B letters for the suffix on Green Reflective background. All Reflective Sheeting shall be Type II-Enclosed Lens and meet Federal Specification FF-79,1979 Section 633.06 Sheet Reflective materials.
- Sign Posts shall have a 2 3/8 inch outside diameter and be 12 feet in length. They shall be either Schedule 40 Aluminum Pipe or Galvanized Steel with a wall thickness of 0.065 inches. The inside wall shall be galvanized or have a full zinc based organic coating in accordance with ASTM-A513 to obtain a weight of 0.90 oz. per sq. ft. commercial zinc weight (G-90).
- Signs are to be mounted a minimum of 3.5 feet from the back of curb with a minimum clearance from the sidewalk of 1.5 feet.
- Sign posts shall be mounted 18-24 inches in the ground and set in a concrete base.
- The contractor shall be responsible for verification of underground utilities and structures shown or not shown prior to the placement of sign posts.

SAINT CHARLES COUNTY
 HIGHWAY DEPARTMENT
 ST. CHARLES, MISSOURI
STREET NAME SIGNS, DETAILS AND LOCATIONS
 DRAWING: C903.10
 DATE: December, 2000

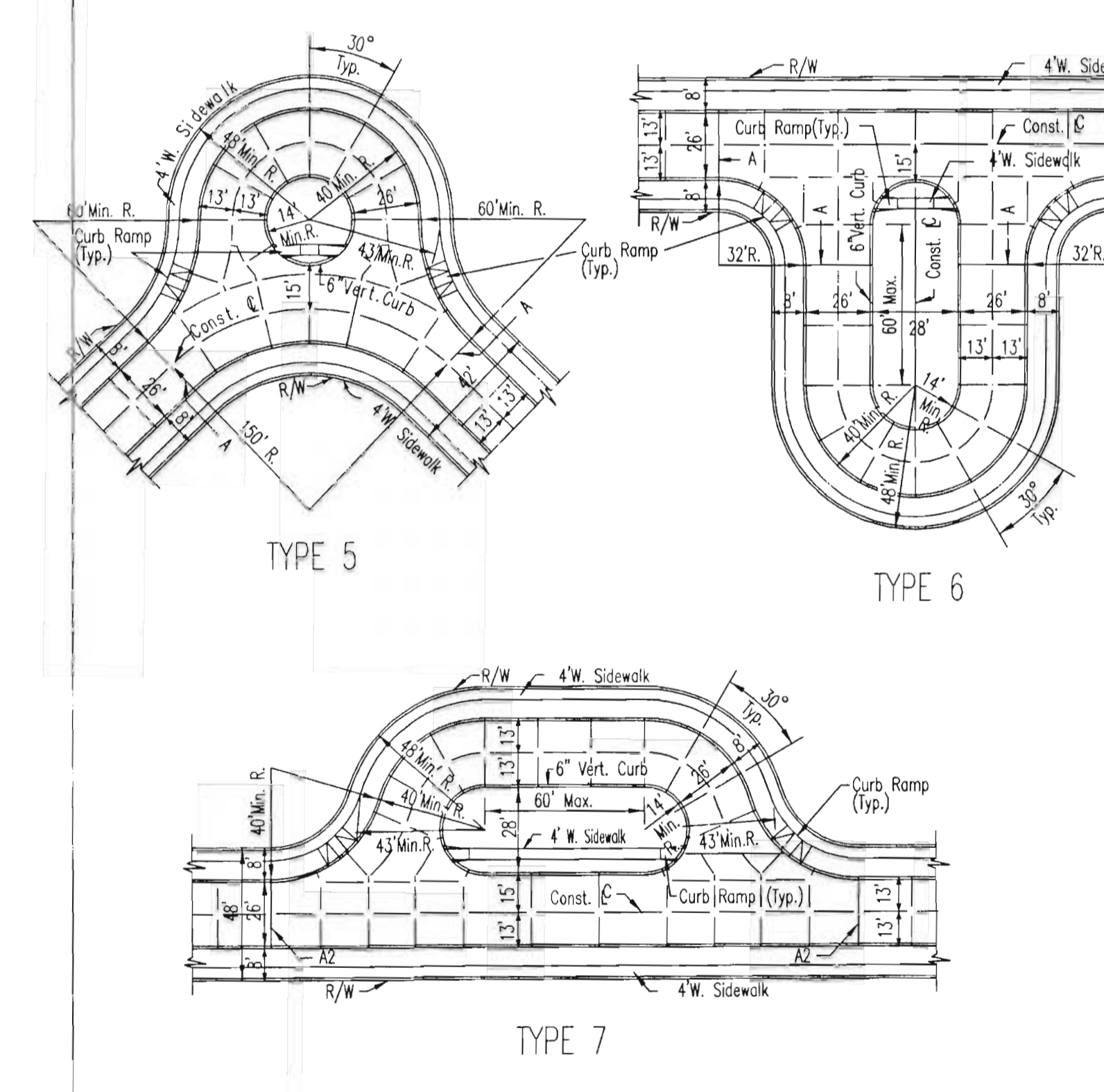


GENERAL NOTES

- Do not scale drawing. Follow dimensions.
- For longitudinal and transverse joints, dowel and tie bar requirements and curb dimensions not shown refer to the "Pavement Construction Details." See Std. Dwg. C502.01, C502.02 and C503.03.
- All necessary pavement markings shall be as required by Saint Charles County.
- Sidewalk thickness increases to 6" at Residential Driveways. See Entrance Construction Details.
- For roadway cross slopes, pavement types and thickness refer to Standard Typical Sections.
- For commercial or industrial developments refer to "Pavement Construction Details." See Std. Dwg. C502.10.



SAINT CHARLES COUNTY
 HIGHWAY DEPARTMENT
 ST. CHARLES, MISSOURI
 PAVEMENT CONSTRUCTION DETAILS
**RESIDENTIAL
 40' RADIUS TURNAROUNDS
 48' RADIUS RIGHT-OF-WAY**
 DATE: June, 2002 DRAWING: C502.07



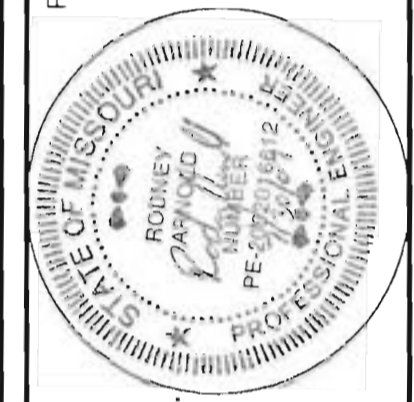
GENERAL NOTES

- Do not scale drawing. Follow dimensions.
- For longitudinal and transverse joints, dowel and tie bar requirements and curb dimensions not shown refer to the "Pavement Construction Details." See Std. Dwg. C502.01, C502.02 and C502.03.
- All necessary pavement markings shall be as required by Saint Charles County.
- Sidewalk thickness increases to 6" at Residential Driveways. See Entrance Construction Details.
- For roadway cross slopes, pavement types and thickness refer to Standard Typical Sections.
- Curb ramps are required with sidewalk and curb. See Std. Dwg. C608.10 through C608.13.

SAINT CHARLES COUNTY
 HIGHWAY DEPARTMENT
 ST. CHARLES, MISSOURI
 PAVEMENT CONSTRUCTION DETAILS
**RESIDENTIAL
 40' RADIUS TURNAROUNDS
 48' RADIUS RIGHT-OF-WAY**
 DATE: June, 2002 DRAWING: C502.08

ISSUE	REMARKS/DATE
1	10-17-06 FIRST SUBMITTAL
2	12-11-06 REVISED PER DCSD & PMSD #2 COMMENTS
3	12-28-06 REVISED PER ST. CHARLES COUNTY COMMENTS
4	01-25-07 REV. PER ST. CHARLES CO. OFFALON
5	02-29-07 REVISED PER DCSD & PMSD #2 COMMENTS
6	05-29-07 REVISED PER DEVELOPER COMMENTS

PREPARED FOR:
CROSS DEVELOPMENT OF MISSOURI INC.
 1609 PROSPECT VILLAGE DR.
 LAKE ST. LOUIS, MO. 63367
 314-713-4054



PREPARED BY:
STERLING CO.
 ENGINEERS & SURVEYORS
 5655 NEW BAUMGARTNER ROAD
 ST. LOUIS, MISSOURI 63123
 (314) 467-0440 FAX: 467-8014
 E-Mail: Sterling@sterling-eng-sur.com

PROJECT: **THE ENCLAVE AT SOMMERS POINTE**
 SHEET TITLE: **DETAILS**
 NO. 07 06 123
 M.S.D. SHEET
 # OF CD3
 OF