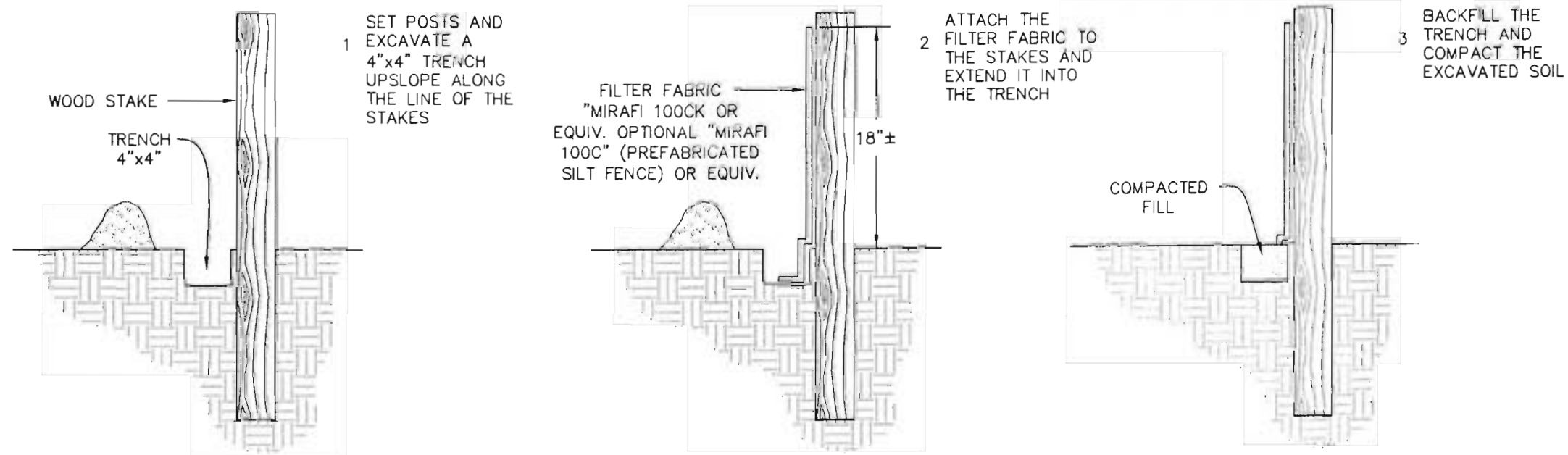
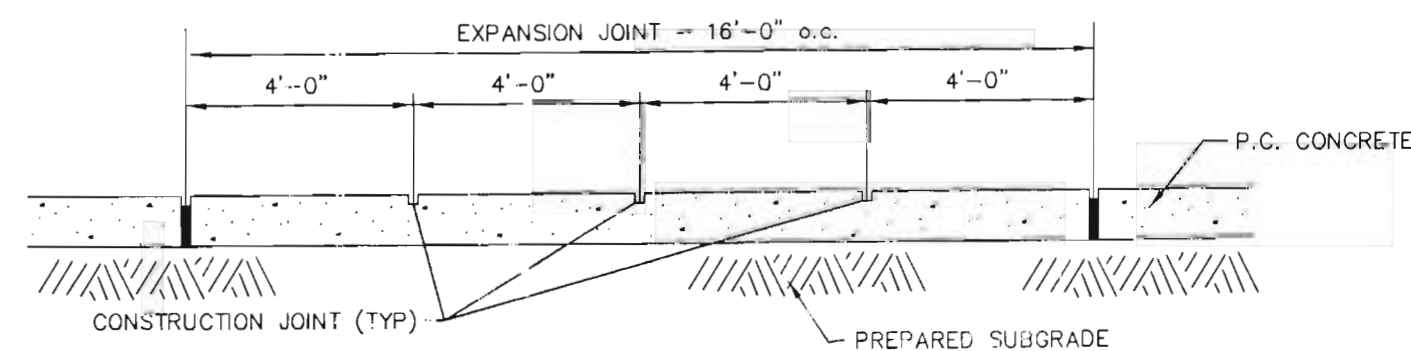


**APPENDIX C
STRAW BALE BARRIERS**
NOT TO SCALE

MAINTENANCE
 1. FILTER BARRIERS SHALL BE INSPECTED IMMEDIATELY AFTER EACH RAINFALL AND AT LEAST DAILY DURING PROLONGED RAINFALL. ANY REQUIRED REPAIRS SHALL BE MADE IMMEDIATELY.
 2. SHOULD THE FABRIC DECOMPOSE OR BECOME INEFFECTIVE PRIOR TO THE END OF THE EXPECTED USABLE LIFE AND THE BARRIER STILL BE NECESSARY, THE FABRIC SHALL BE REPLACED PROMPTLY.
 3. SEDIMENT DEPOSITS SHOULD BE REMOVED AFTER EACH STORM EVENT. THEY MUST BE REMOVED WHEN DEPOSITS REACH APPROXIMATELY HALF THE HEIGHT OF THE BARRIER.
 4. ANY SEDIMENT DEPOSITS REMAINING IN PLACE AFTER THE SILT FENCE OR FILTER BARRIER IS NO LONGER REQUIRED SHALL BE DRESSED TO CONFORM WITH THE EXISTING GRADE, PREPARED AND SEEDED.



TYPICAL SILTATION FENCE
STAKE SPACING 8'-10'

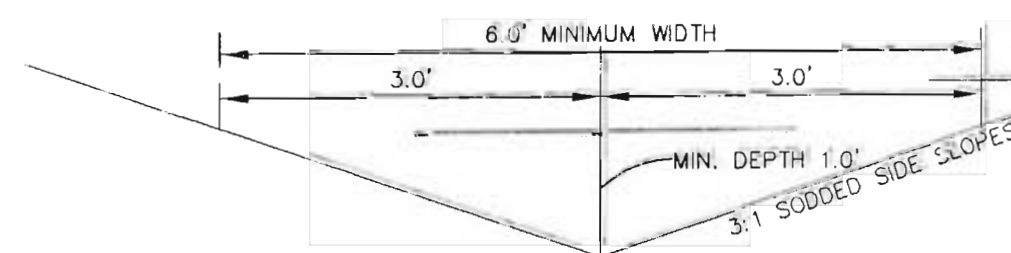


CONCRETE SIDEWALK DETAIL
(NOT TO SCALE)

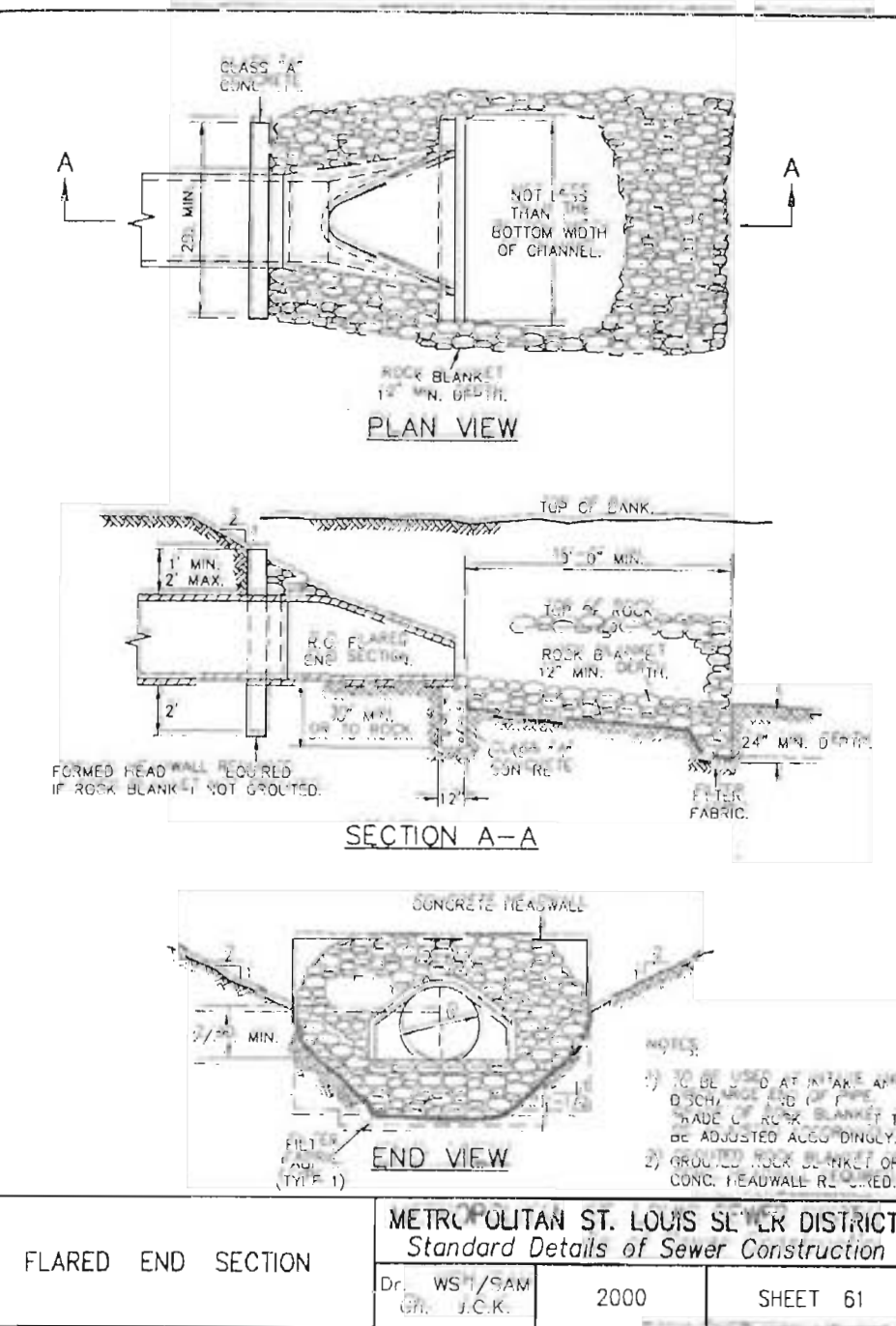
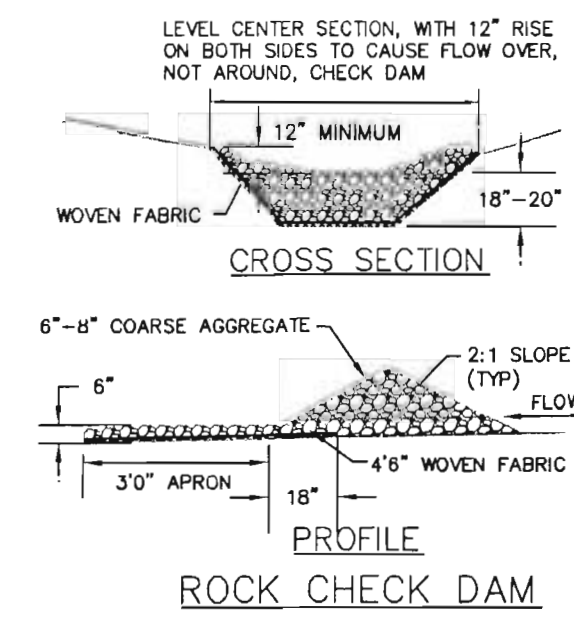
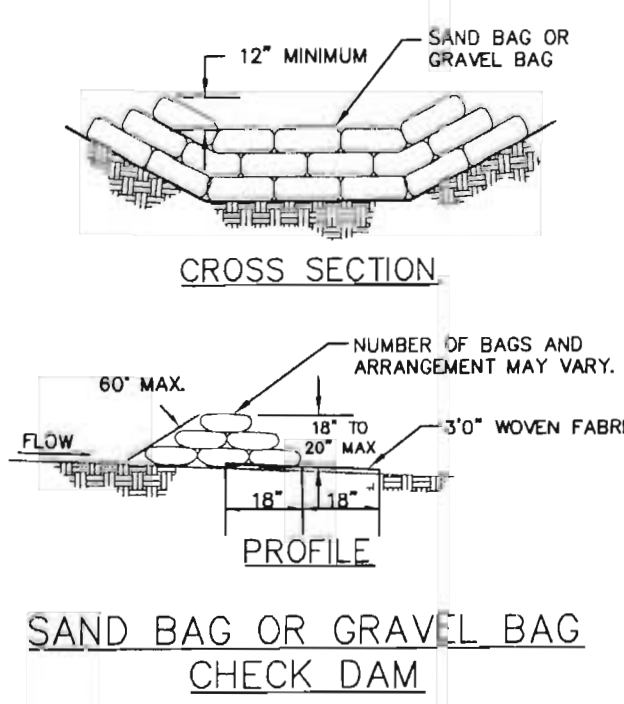
TYPICAL YARD SWALE

Maximum Discharge (Q) = 4.00 cfs
 Maximum Velocity (V) = 4.00 ft/sec
 N = 0.030 (grass)
 Maximum side slopes = 3 (horizontal) : 1 (vertical)

Longitudinal Slope (%)	Discharge (cfs)	Velocity (ft/sec)	Depth (ft)
0.5	4.00	1.89	0.54
1.0	4.00	2.46	0.74
2.0	4.00	3.12	0.65
3.0	4.00	3.71	0.60
4.0	3.51	4.00	0.54
5.0	2.51	4.00	0.46
6.0	1.91	4.00	0.40
7.0	1.52	4.00	0.35
8.0	1.24	4.00	0.32
9.0	1.04	4.00	0.29
10.0	0.89	4.00	0.24



TYPICAL LOT DRAINAGE
N.T.S.



VEGETATION ESTABLISHMENT For Urban Development Sites APPENDIX A

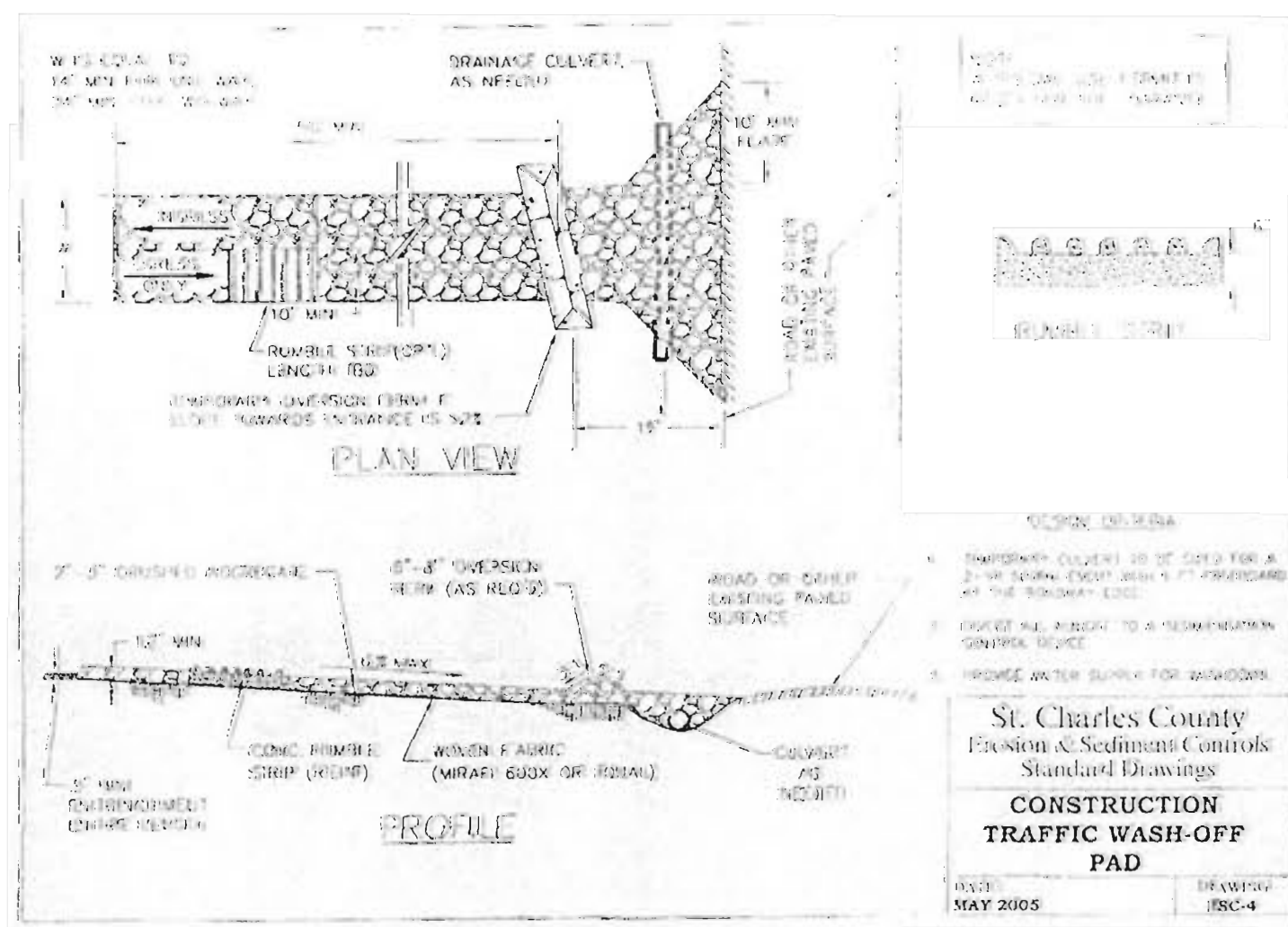
SEEDING RATES:
PERMANENT:
 Tall Fescue - 80 lbs./ac.
 Smooth Brome - 100 lbs./ac.
 Combined - Fescue @ 40 lbs./ac. AND Brome @ 50 lbs./ac.
TEMPORARY:
 Wheat or Rye - 150 lbs./ac. (3.5 lbs. per sq. ft.)
 Oats - 120 lbs./ac. (2.75 lbs. per sq. ft.)

SEEDING PERIODS:
 Fescue or Brome - March 1 to June 1
 August 1 to October 1
 Wheat or Rye - March 15 to November 1
 Oats - March 15 to September 15

MULCH RATES:
 100 lbs. per 1000 sq. ft. (4,356 lbs. per ac.)

FERTILIZER RATES:
 Nitrogen 30 lbs./ac.
 Phosphate 30 lbs./ac.
 Potassium 30 lbs./ac.
 Lime 600 lbs./ac. ENM*

* ENM = effective neutralizing material as per State evaluation of quarried rock



CONSTRUCTION TRAFFIC WASH-OFF PAD
MAY 2005 DRAWING: TRC-4

ISSUE REMARKS/DATE

1	10-27-06 FIRST SUBMITTAL
2	12-11-06 REVISED PER DCS & PMSD #2 COMMENTS
3	12-28-06 REVISED PER ST. CHARLES COUNTY COMMENTS
4	01-25-07 REV. PER ST. CHARLES CO. & CVALCOIN
5	02-08-07 REVISED PER DCS & PMSD #2 COMMENTS
6	06-29-07 REVISED PER DEVELOPER COMMENTS

PREPARED FOR:
CROSS DEVELOPMENT OF MISSOURI INC.
 1609 PROSPECT VILLAGE DR.
 LAKE ST. LOUIS, MO. 63367
 314-713-4054



PREPARED BY:
THE STERLING CO.
 ENGINEERS & SURVEYORS
 5655 NEW BAUMGARTNER ROAD
 ST. LOUIS, MISSOURI 63123
 (314) 487-0440 FAX 487-8844
 E-Mail: Sterling@sterling-eng-sur.com

DRAWN: DESIGNED: CHECKED:

PROJECT: **THE ENCLAVE AT SOMMERS POINTE**
 SHEET TITLE: **DETAILS**

NO. 07 06 123
M.S.D. SHEET
PH CD4
DIGITAL FILE: 10/10/07
DATE: 10/10/07
BY: [Signature]
OF