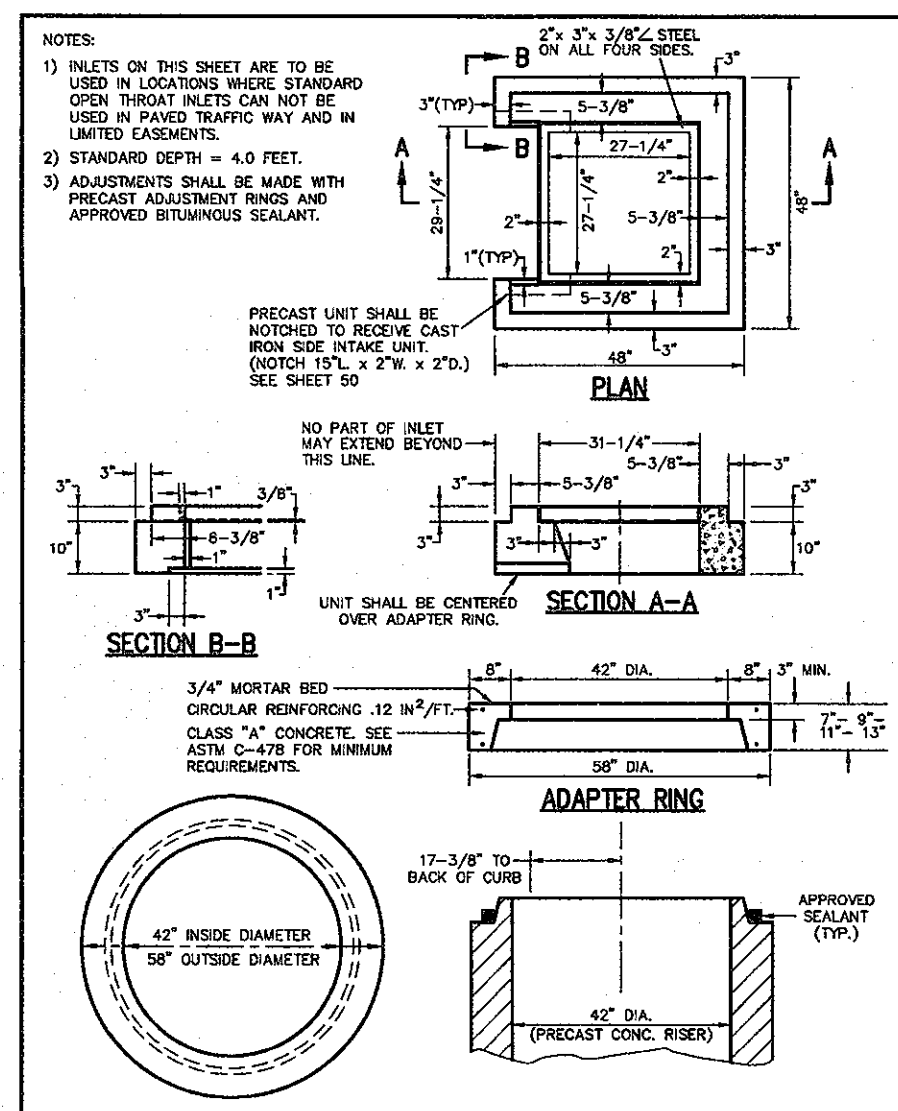


ROUND PIPE				HORIZONTAL ELLIPTICAL PIPE			
INSIDE DIAMETER OF PIPE (INCHES)	PAVING WIDTH OF TRENCH (INCHES)	PAVING WIDTH OF TRENCH (FEET)	PAVING VOLUMES OF CONCRETE ENCASMENT (CU. FT. PER FT.)	INSIDE DIMENSIONS OF PIPE (INCHES)	PAVING WIDTH OF TRENCH (INCHES)	PAVING WIDTH OF TRENCH (FEET)	PAVING VOLUMES OF CONCRETE ENCASMENT (CU. FT. PER FT.)
4	30	2.50	3.28				
6	30	2.50	3.59				
8	30	2.50	3.87				
10	30	2.50	4.09				
12	30	2.50	4.25				
15	36	3.00	5.29				
18	36	3.00	5.77	14 x 23	41	3.42	5.94
21	39	3.25	6.81				
24	42	3.50	7.39	19 x 30	49	4.08	7.68
27	45	3.75	8.18	22 x 34	53	4.42	8.61
30	48	4.00	9.36	24 x 38	58	4.83	9.70
33	51	4.25	10.53	27 x 42	62	5.17	10.71
35	54	4.50	11.43	28 x 45	66	5.50	11.72
39	60	5.00	13.56	32 x 49	71	5.92	13.14
42	63	5.25	14.87	34 x 53	75	6.25	14.00
48	70	5.83	17.87	38 x 60	83	6.92	16.18
54	77	6.42	19.15	43 x 68	92	7.67	18.81
60	84	7.00	20.73	48 x 76	101	8.42	21.59
66	91	7.58	22.45	53 x 83	109	9.08	24.35
72	98	8.17	24.37	58 x 91	118	9.83	27.45
78	105	8.75	26.39	63 x 98	128	10.50	30.50
84	112	9.33	28.57	68 x 105	135	11.25	33.81
90	119	9.92	30.90	72 x 113	143	11.92	36.59
96	126	10.50	33.37	77 x 121	152	12.67	40.69
102	133	11.08	35.99	82 x 128	160	13.33	44.45
108	140	11.67	38.76	87 x 136	168	14.00	47.79
114	147	12.25	41.66	92 x 143	176	14.67	51.70
120	154	12.83	44.72	97 x 151	185	15.42	56.01
126	161	13.42	47.92				
132	168	14.00	51.27				
144	182	15.17	72.40				

TABLE 1
PAYLINE WIDTHS OF TRENCH AND PAVING QUANTITIES OF CONCRETE

METROPOLITAN ST. LOUIS SEWER DISTRICT
Standard Details of Sewer Construction

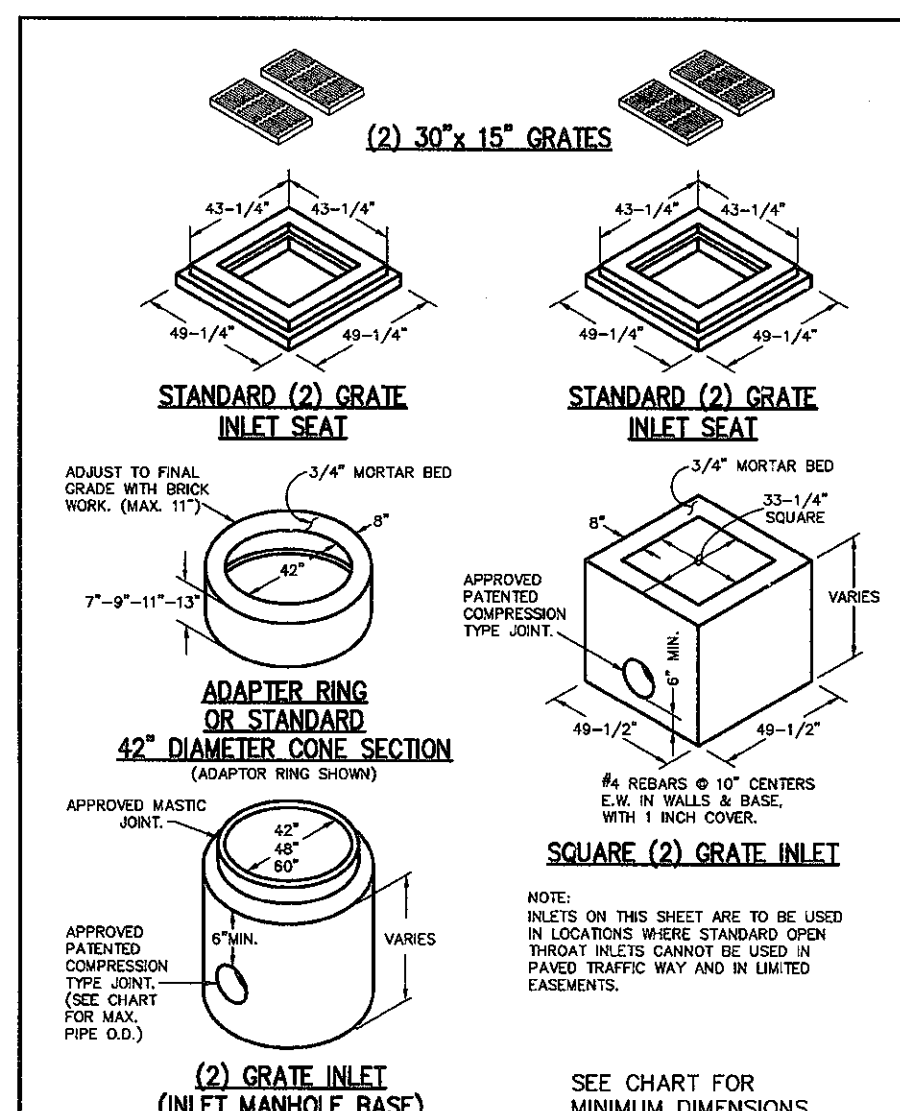
Dr. B.E.B./J.C.K. 2009 SHEET 1



GRATE SEAT FOR 2x30 INCH INLET WITH SIDE INTAKE

METROPOLITAN ST. LOUIS SEWER DISTRICT
Standard Details of Sewer Construction

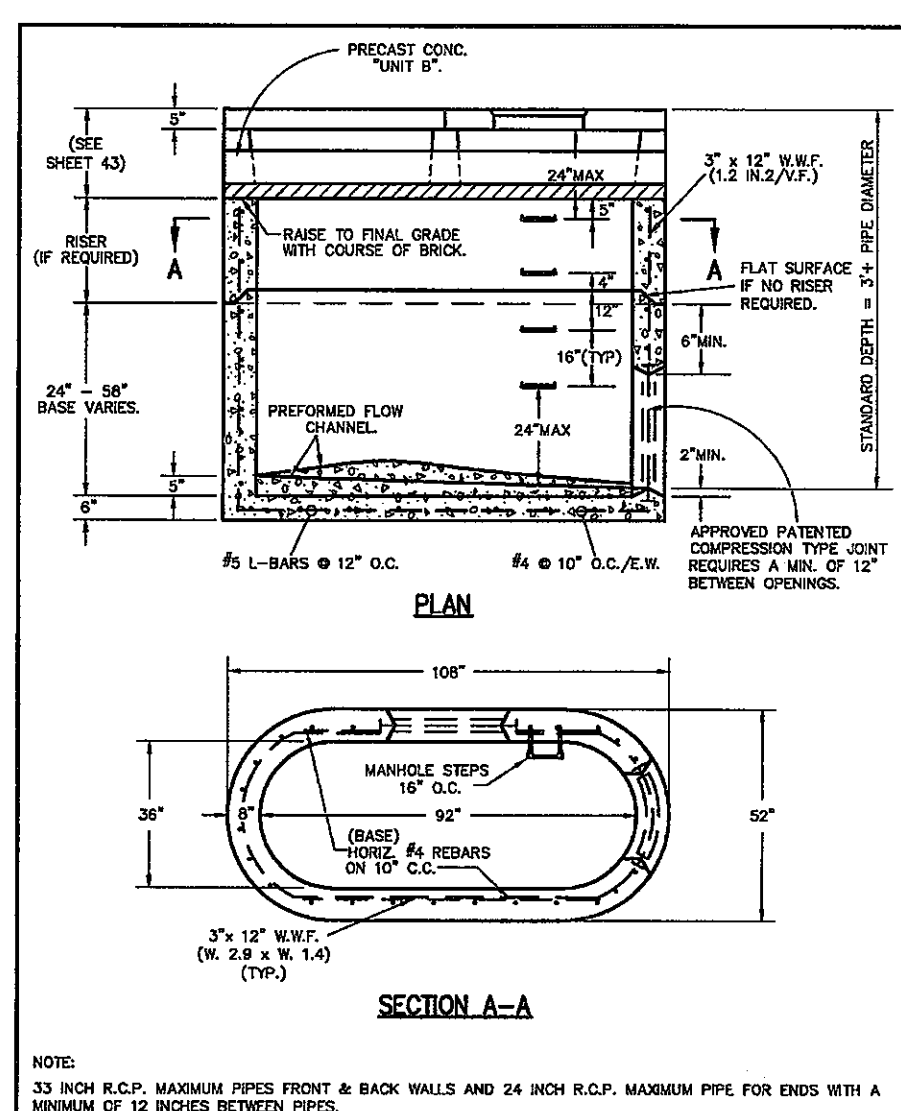
Dr. WSH/SAM/Ch. J.C.K. 2009 SHEET 32



2 GRATE INLETS PRECAST CONCRETE

METROPOLITAN ST. LOUIS SEWER DISTRICT
Standard Details of Sewer Construction

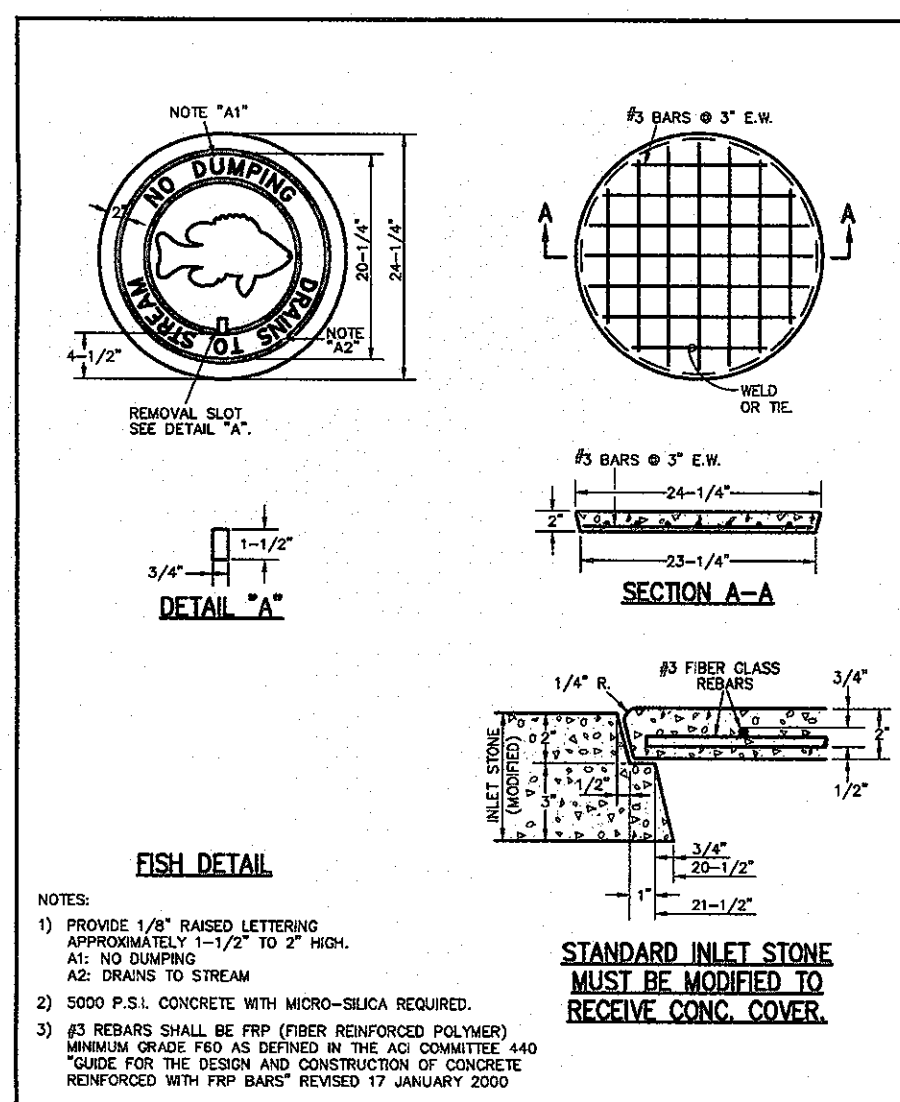
Dr. J.L.G./SAM/Ch. J.C.K. 2009 SHEET 35



DOUBLE UNTRAPPED STREET INLET PRECAST CONCRETE

METROPOLITAN ST. LOUIS SEWER DISTRICT
Standard Details of Sewer Construction

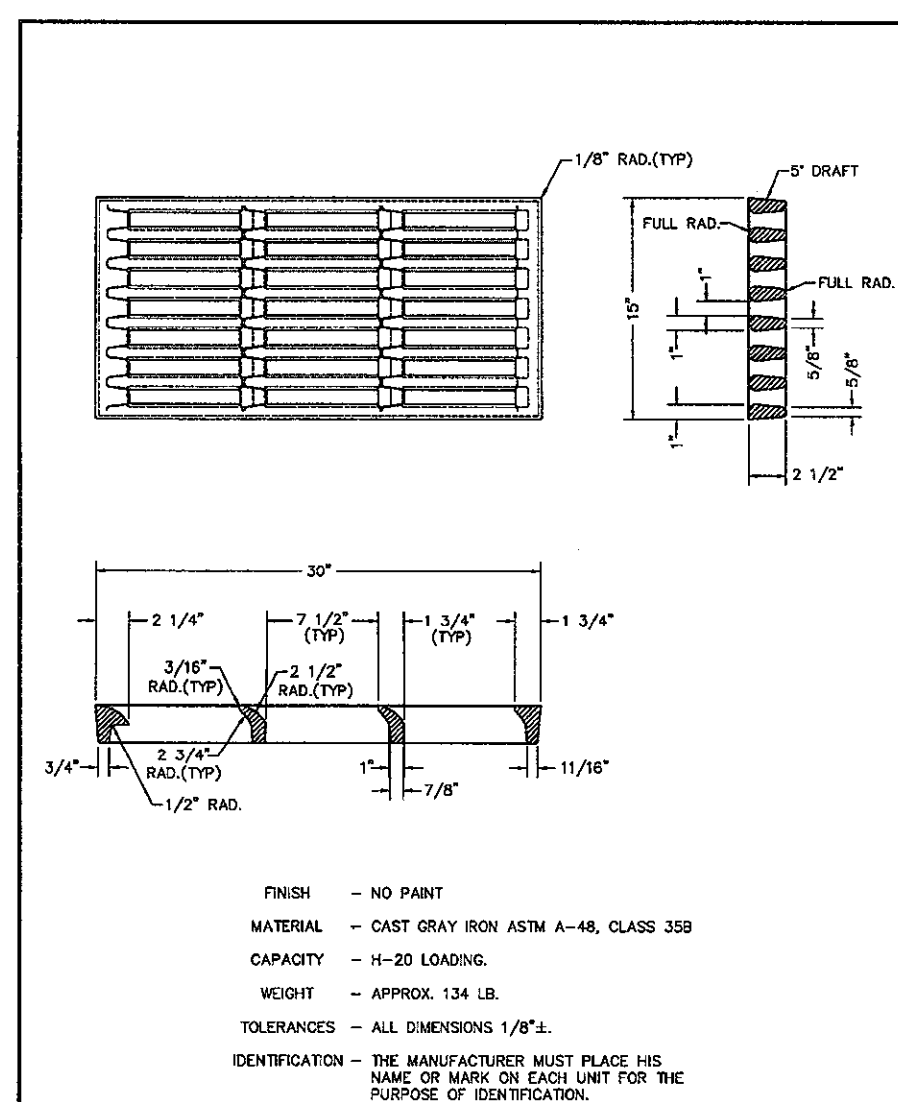
Dr. J.L.G./SAM/Ch. J.C.K. 2009 SHEET 37



PRECAST CONCRETE INLET COVER & STONE

METROPOLITAN ST. LOUIS SEWER DISTRICT
Standard Details of Sewer Construction

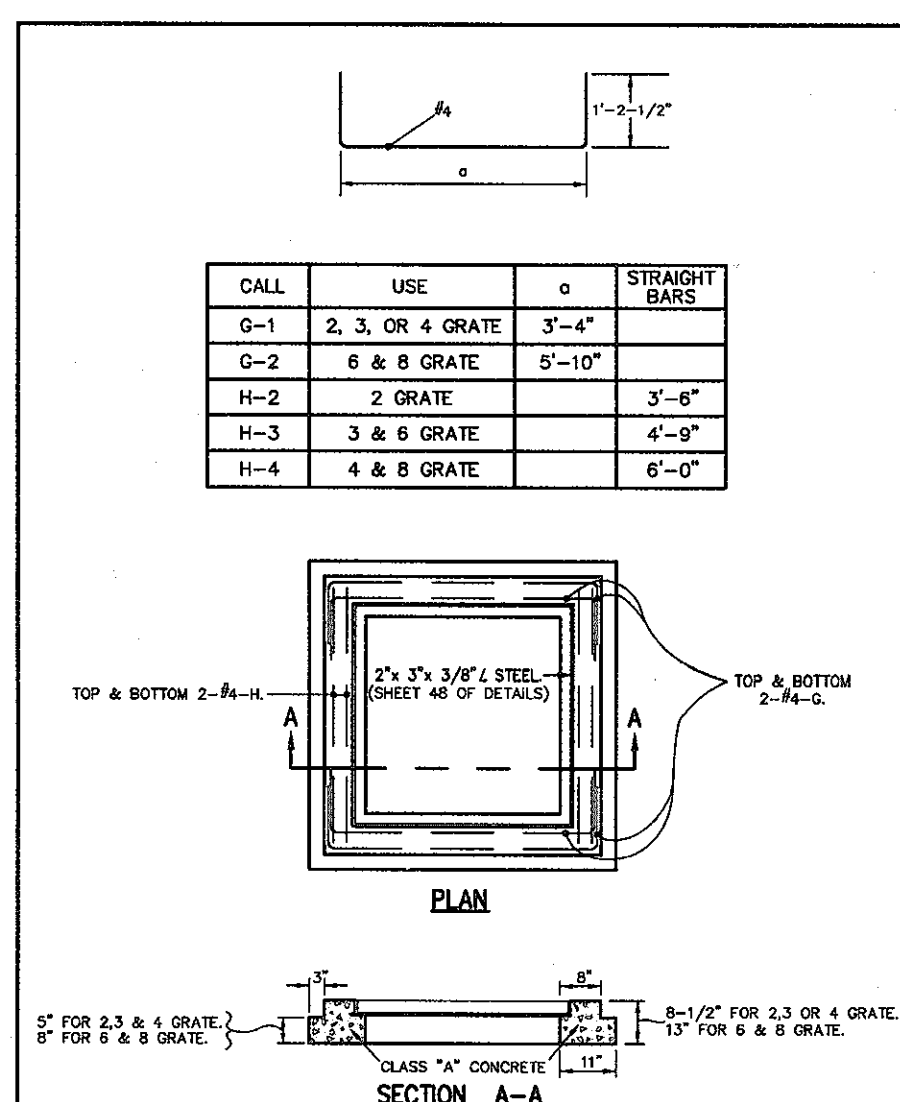
Dr. SAM/Ch. J.C.K. 2009 SHEET 46



DETAIL OF STEEL VANE GRATE

METROPOLITAN ST. LOUIS SEWER DISTRICT
Standard Details of Sewer Construction

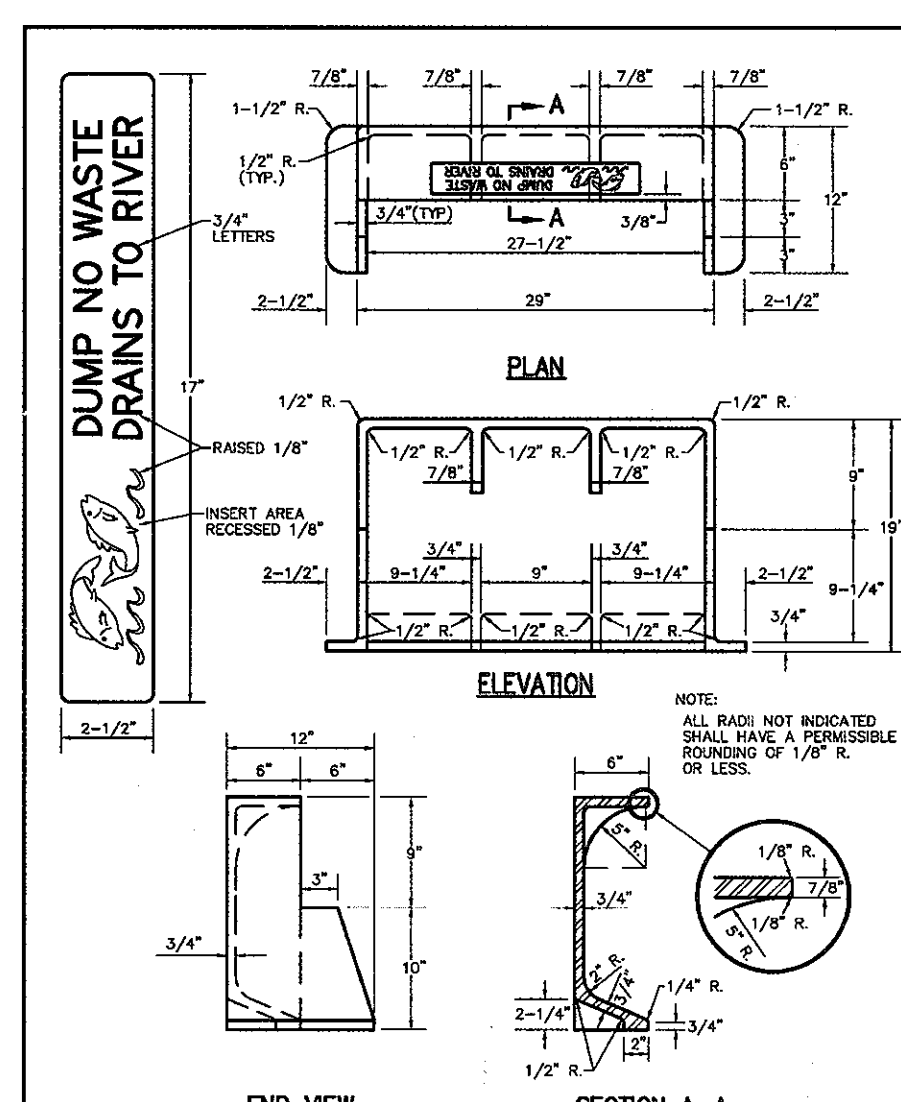
Dr. M.C.K./Ch. P.W.S. 2009 SHEET 49



STEEL REQUIREMENTS FOR GRATE INLET SEAT

METROPOLITAN ST. LOUIS SEWER DISTRICT
Standard Details of Sewer Construction

Dr. WSH/SAM/Ch. J.C.K. 2009 SHEET 50



CAST IRON SIDE INTAKE UNIT FOR GRATE INLETS 249 LBS.

METROPOLITAN ST. LOUIS SEWER DISTRICT
Standard Details of Sewer Construction

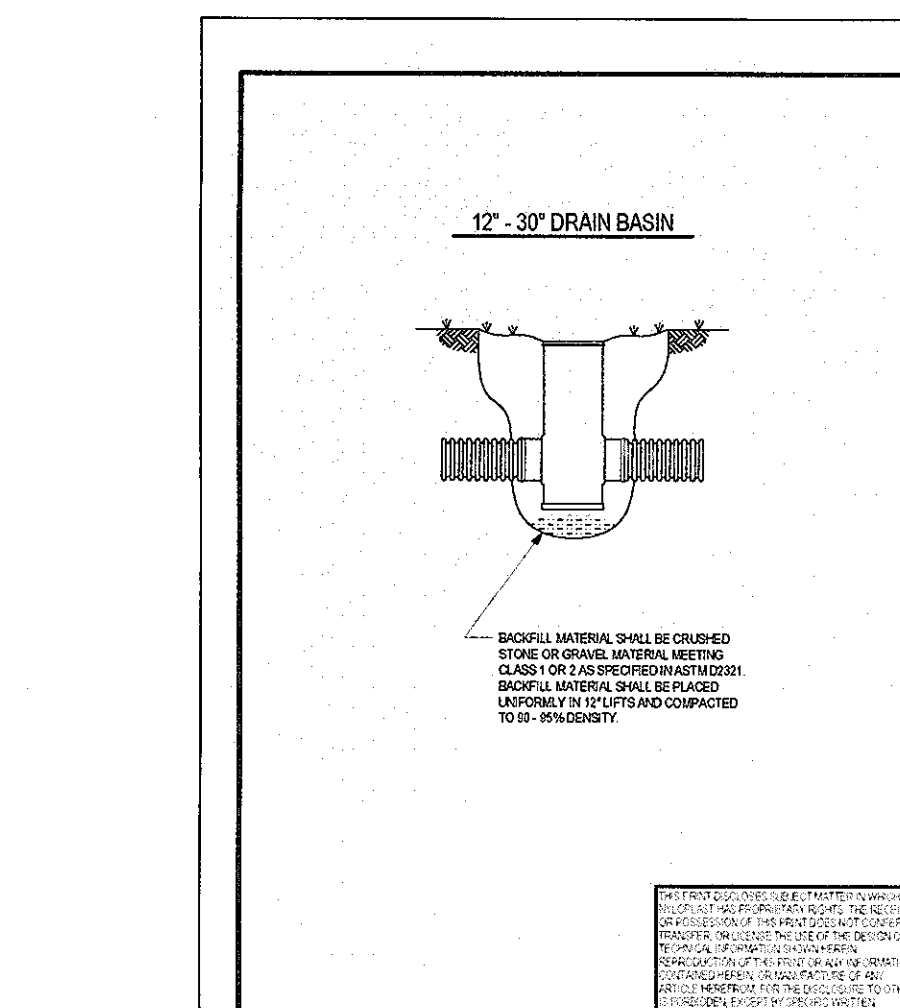
Dr. ROY/SAM/Ch. J.C.K. 2009 SHEET 51



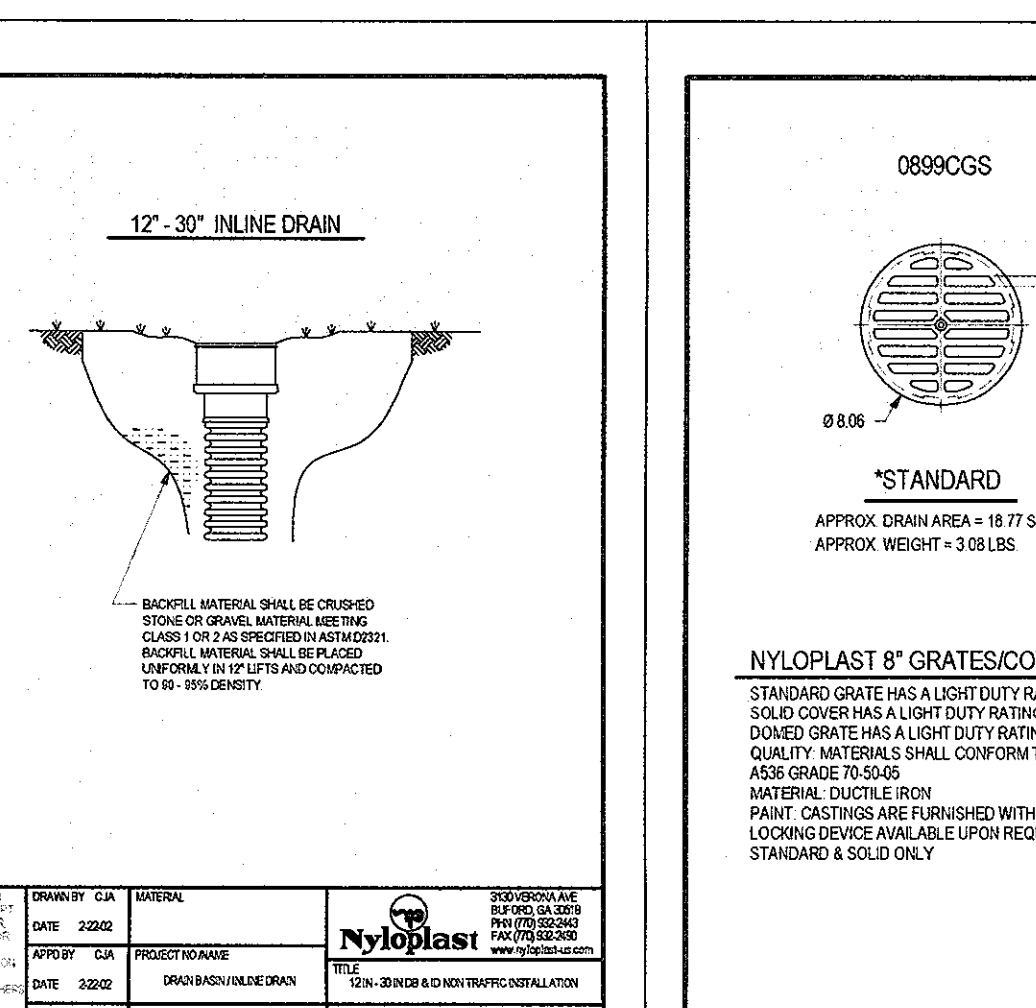
FLEXFORM HD INLET FILTERS FOR USE IN CONCRETE STRUCTURES

Product Selection and Specification Drawing

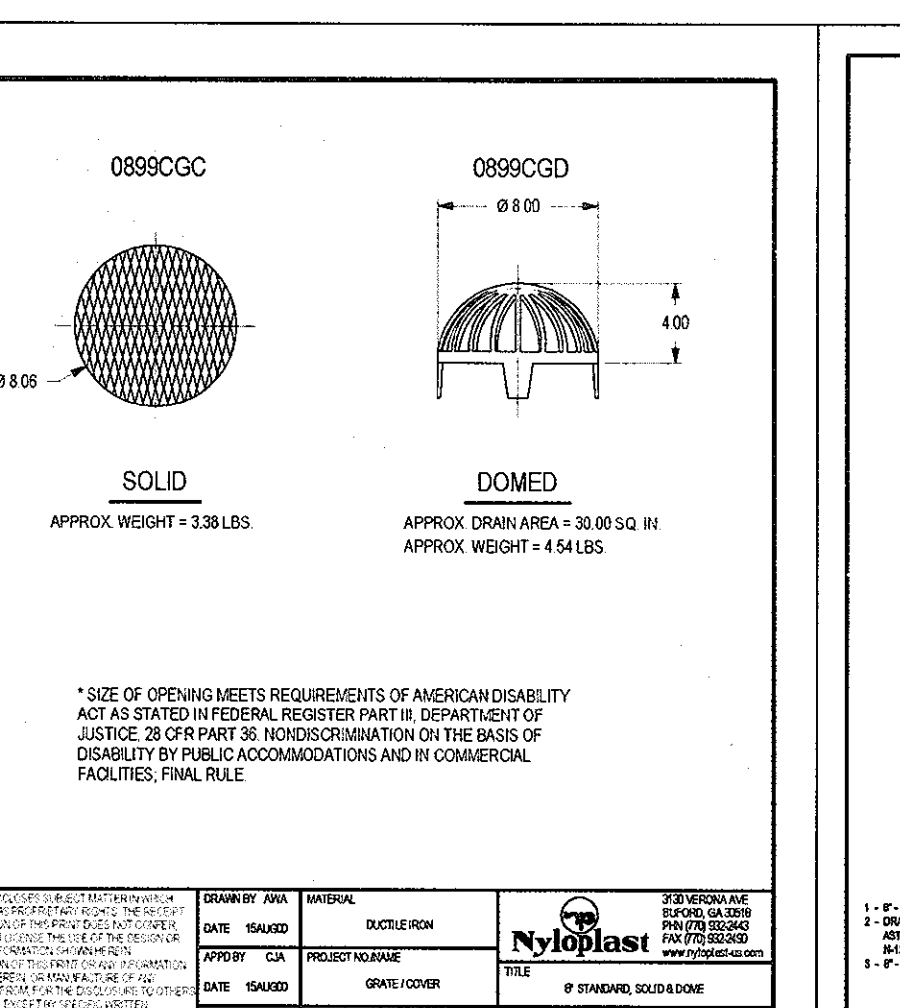
Model	Flow (GPM)	Flow (MGD)	Flow (MGD)	Flow (MGD)	Flow (MGD)
Small	1.8	0.024	0.024	0.024	0.024
Medium	2.7	0.036	0.036	0.036	0.036
Large	4.2	0.056	0.056	0.056	0.056
Very Large	5.7	0.076	0.076	0.076	0.076



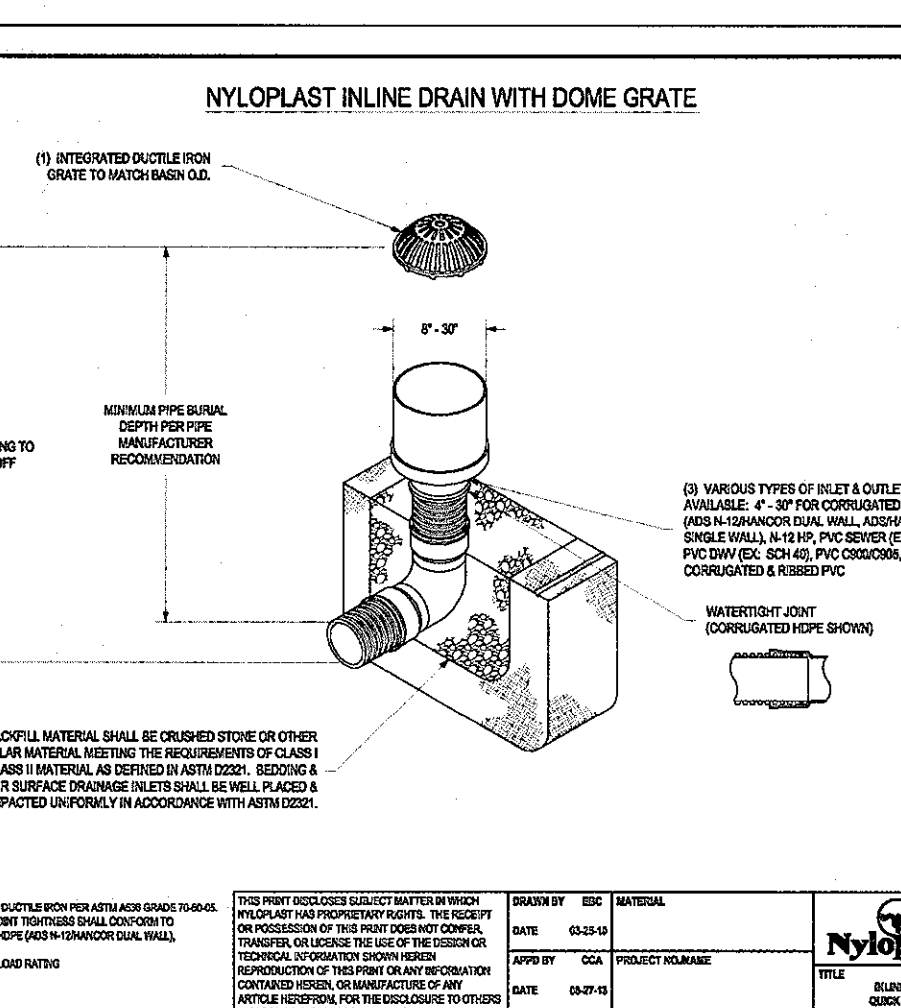
12' x 30" DRAIN BASIN



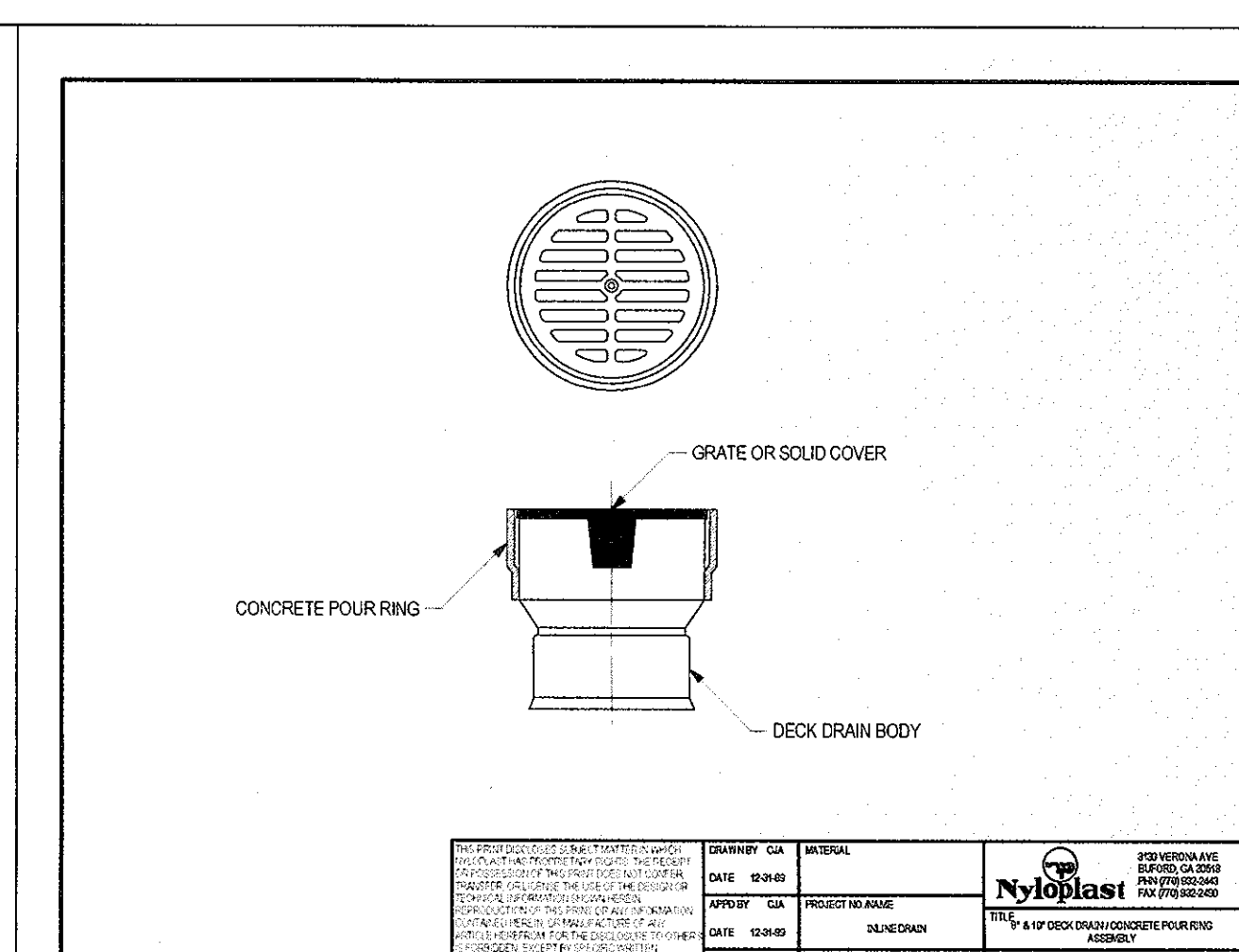
12' x 30" INLINE DRAIN



NYLOPLAST 8" GRATE COVERS



NYLOPLAST INLINE DRAIN WITH DOME GRATE



DECK DRAIN BODY

ENGINEERS SEAL DOES NOT APPLY TO MSD AND NYLOPLAST DETAILS ON THIS SHEET.

PROJECT TITLE:
RENOVATIONS FOR THE
CITY OF O'FALLON
ENVIRONMENTAL
SERVICES BUILDING

ENGINEERING
PLANNING
SURVEYING
221 Pointe West Blvd.
St. Charles, MO 63301
636-928-6582
FAX 636-928-1718



DISCLAIMER OF RESPONSIBILITY
I hereby specify that the documents intended to be
authenticating by my seal are limited to this sheet,
and I hereby disclaim any responsibility for all other
Drawings, Specifications, Estimates, Reports or other
documents or instruments relating to or intended to
be used for any part or parts of the architectural or
engineering work.

LARRY DAVID
Walker
Professional Engineer
No. 09/01/10

Engineer License No. 2007020343
Copyright 2016
Box Engineering Company, Inc.
Engineering Authority No. 000655
Surveying Authority No. 000444
All Rights Reserved

REVISIONS	DATE	BY	DESCRIPTION
08-19-16			CITY COMMENTS
08-31-16			ADDENDUM 1

Developer / Owner:
CITY OF O'FALLON
100 N. MAIN STREET
O'FALLON, MO 63366
636-379-5513

P+Z No. #05-11.01
Approved 06-02-16
City No. #
Page No. 10 of 10

DETAILS