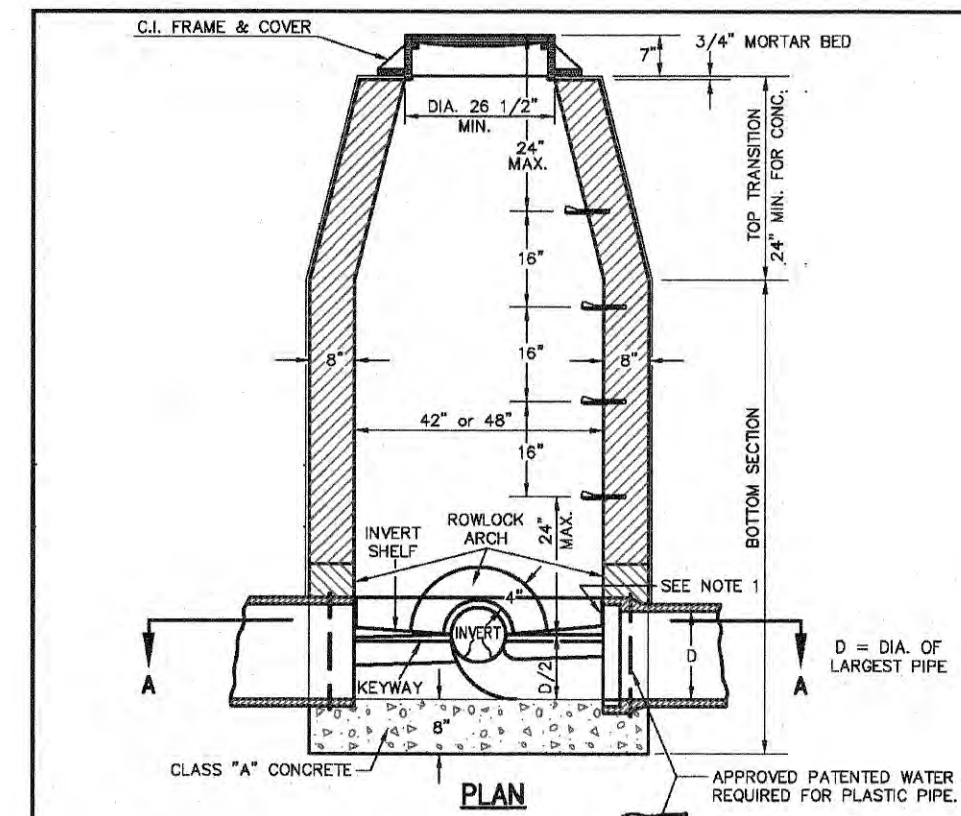


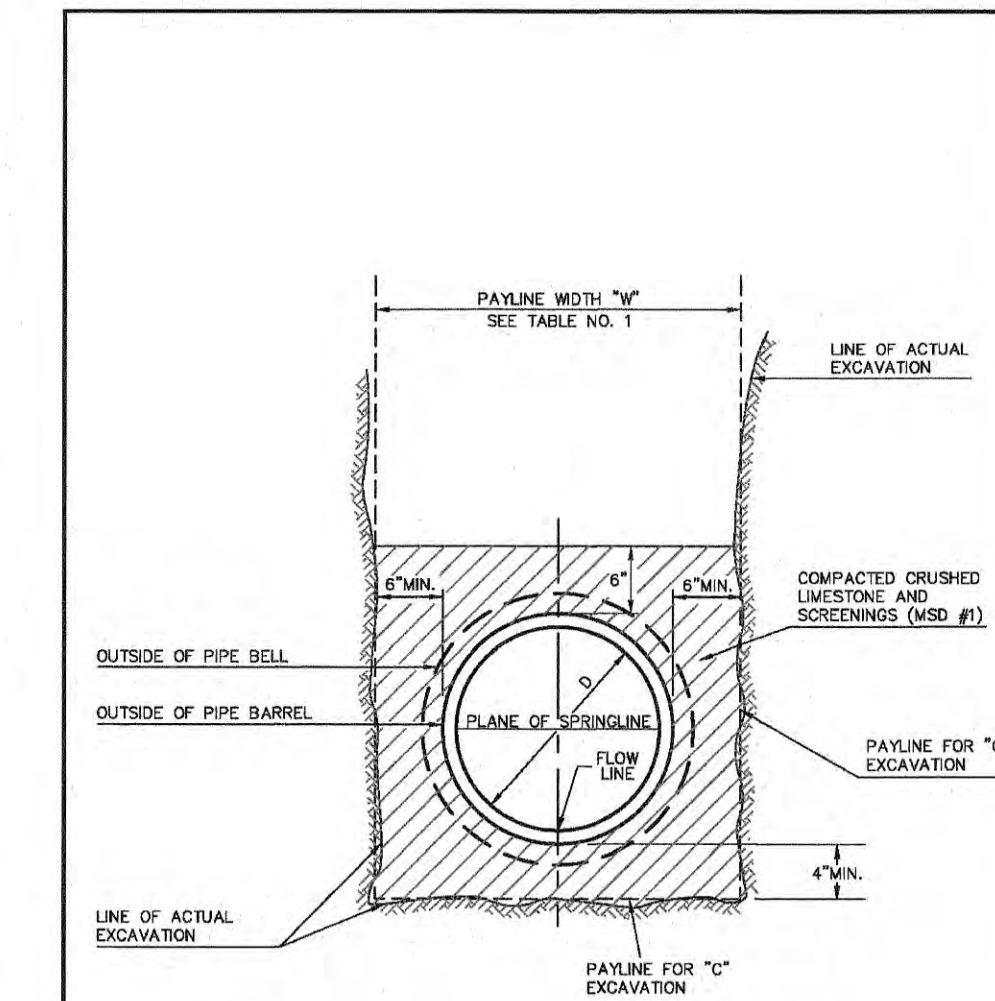
NOTES:  
 1) THE MINIMUM INSIDE DIAMETER FOR THE BASE AND RISER SECTIONS SHALL BE 42 INCHES FOR 8 INCH DIAMETER SANITARY SEWERS AND ALL STORM SEWERS. THE MINIMUM INSIDE DIAMETER FOR SANITARY SEWERS LARGER THAN 8 INCH DIAMETER IS 48 INCHES. MANHOLE SHALL MEET ASTM C-478 REQUIREMENTS.  
 2) FLOWLINE ELEVATION OF INCOMING PIPES SHALL BE 1 INCH HIGHER THAN THAT OF OUTGOING PIPE.  
 3) PIPE SIZES LARGER THAN 24 INCH DIAMETER MAY REQUIRE MANHOLE DIAMETERS OF 60 INCH, 72 INCH OR 84 INCH AS DETERMINED BY OUTSIDE DIAMETERS AND ORIENTATIONS OF CONNECTING PIPES.  
 4) ECCENTRIC CONES SHALL BE USED ON DIAMETERS 60 INCH AND LARGER. STEPS SHALL EXTEND DOWN VERTICAL WALL OF CONE.  
 5) PRIOR TO FABRICATION, SHOP DRAWINGS SHALL BE SUBMITTED TO THE DISTRICT FOR APPROVAL OF MANHOLES ON PIPE DIAMETERS LARGER THAN 24 INCH AND ALSO FOR THOSE STRUCTURES WITH A DROP PIPE CONNECTION.

**PRECAST CONCRETE MANHOLE**  
 METROPOLITAN ST. LOUIS SEWER DISTRICT  
 Standard Details of Sewer Construction  
 Dr. WSH/SAM Ch. J.C.K. 2009 SHEET 21

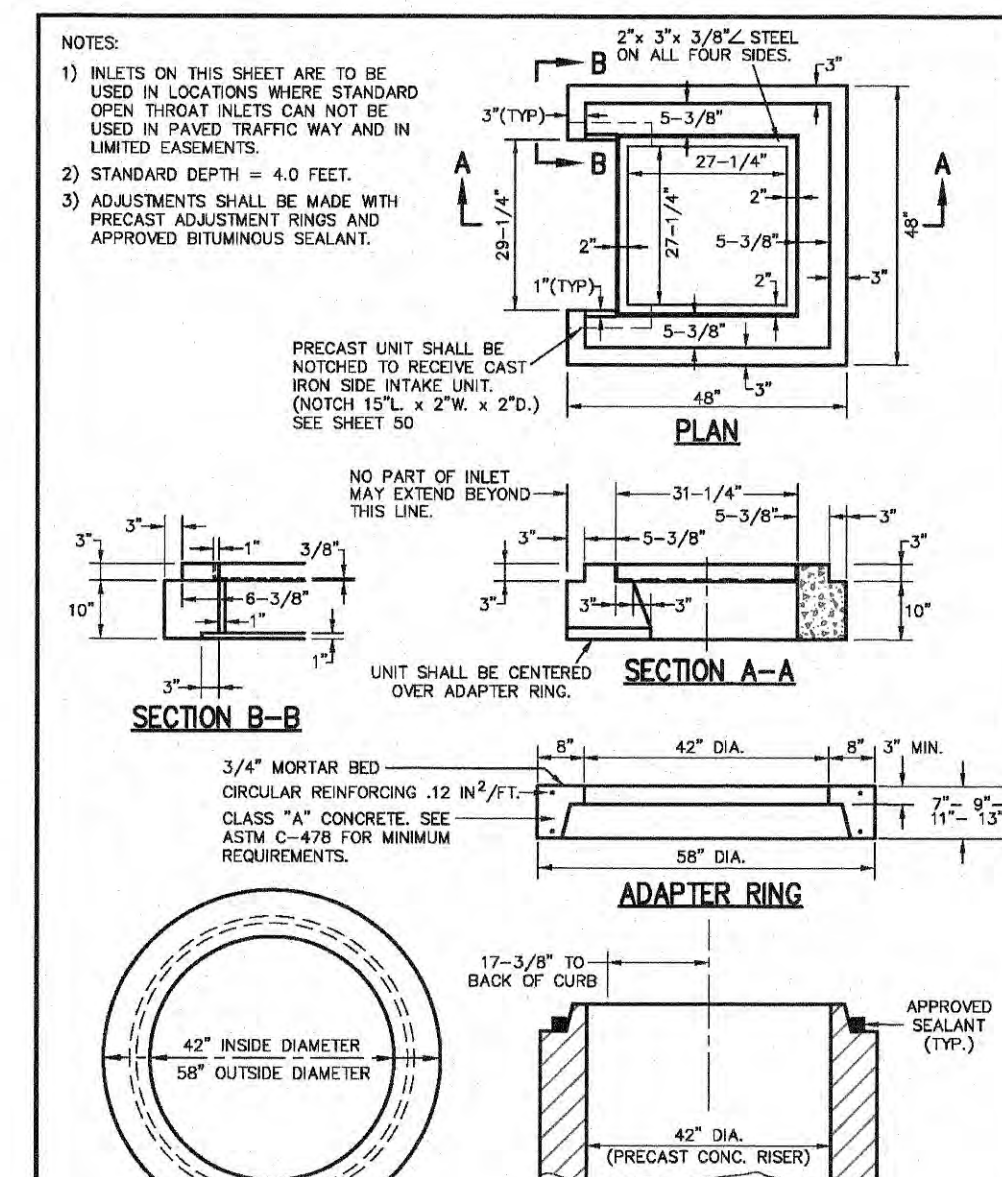


NOTES:  
 2) MANHOLE STEPS UNIFORMLY SPACED AT MAX. 18" C-C.  
 3) GRANULAR BEDDING REQUIRED AROUND PIPE AT MANHOLES.  
 4) THE MINIMUM INSIDE DIAMETER FOR THE BASE AND RISER SECTIONS SHALL BE 42" FOR 8" DIAMETER SANITARY SEWERS AND ALL STORM SEWERS. THE MINIMUM INSIDE DIAMETER FOR INSIDE DROP MANHOLES AND SANITARY SEWERS LARGER THAN 8" DIAMETER IS 48 INCHES.

**LINE MANHOLE**  
 PIPE SEWERS 8"-24" DIA.  
 METROPOLITAN ST. LOUIS SEWER DISTRICT  
 Standard Details of Sewer Construction  
 Dr. WSH/SAM Ch. J.C.K. 2009 SHEET 10



**PIPE BEDDING CLASS "C"**  
 (FOR ALL 6" to 18" PIPE EXCEPT REINFORCED CONCRETE PIPE)  
 METROPOLITAN ST. LOUIS SEWER DISTRICT  
 Standard Details of Sewer Construction  
 Dr. W.S.H. Ch. J.C.K. 2009 SHEET 4



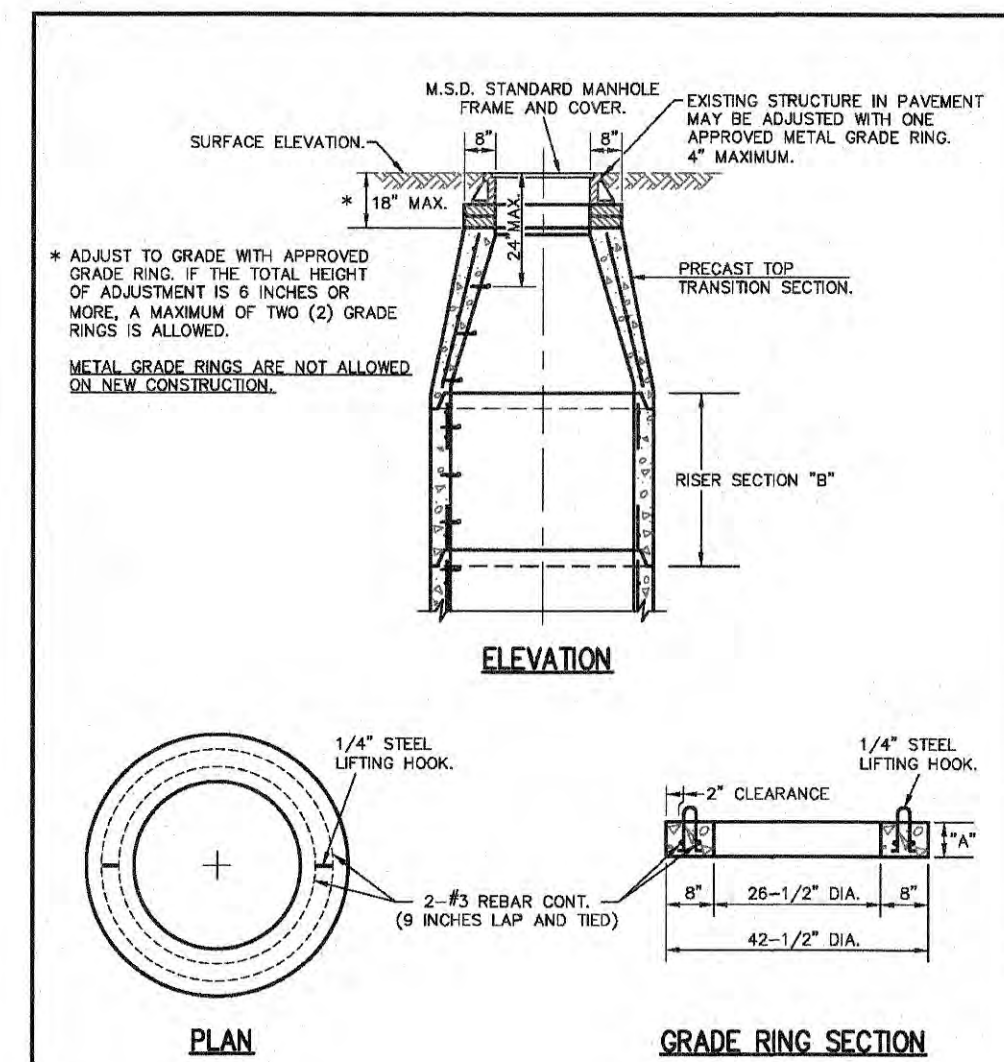
NOTES:  
 1) INLETS ON THIS SHEET ARE TO BE USED IN LOCATIONS WHERE STANDARD OPEN THROAT INLETS CAN NOT BE USED IN PAVED TRAFFIC WAY AND IN LIMITED EASEMENTS.  
 2) STANDARD DEPTH = 4.0 FEET.  
 3) ADJUSTMENTS SHALL BE MADE WITH PRECAST ADJUSTMENT RINGS AND APPROVED BITUMINOUS SEALANT.

PRECAST UNIT SHALL BE NOTCHED TO RECEIVE CAST IRON SIDE INTAKE UNIT. (NOTCH 15" L x 2" W x 2" D.) SEE SHEET 50.

NO PART OF INLET MAY EXTEND BEYOND THIS LINE.

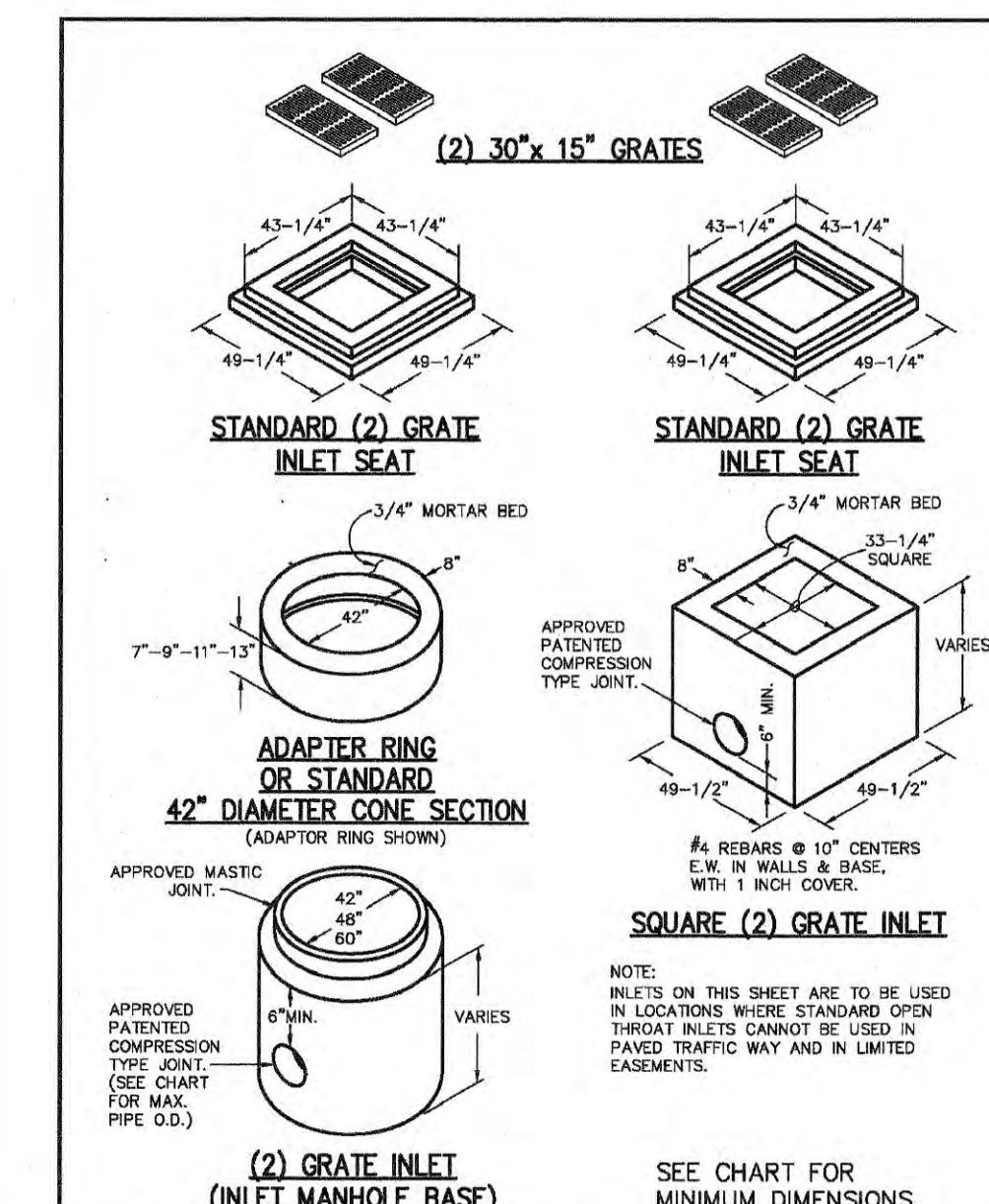
UNIT SHALL BE CENTERED OVER ADAPTER RING.

**GRATE SEAT FOR 2 GRATE INLET WITH SIDE INTAKE**  
 METROPOLITAN ST. LOUIS SEWER DISTRICT  
 Standard Details of Sewer Construction  
 Dr. WSH/AMK Ch. J.C.K. 2009 SHEET 32



NOTES:  
 1)  
 2) IF MANHOLE IS BURIED MORE THAN 18 INCHES, A RISER SECTION WILL HAVE TO BE ADDED.  
 3) DIMENSION "A" SIDING GRADE RING HEIGHT OPTIONS. (3 INCHES MINIMUM TO 31 INCHES MAXIMUM.)  
 4) DIMENSION "B" SIDING RISER SECTION HEIGHT OPTIONS. (2 INCH, 24 INCH, 36 INCH AND 48 INCH)

**ADJUST TO GRADE**  
 METROPOLITAN ST. LOUIS SEWER DISTRICT  
 Standard Details of Sewer Construction  
 Dr. S.A.M. Ch. P.W.S. 2009 SHEET 23



NOTES:  
 1)  
 2) INLETS ON THIS SHEET ARE TO BE USED IN LOCATIONS WHERE STANDARD OPEN THROAT INLETS CANNOT BE USED IN PAVED TRAFFIC WAY AND IN LIMITED EASEMENTS.

**(2) GRATE INLET (INLET MANHOLE BASE)**  
 SEE CHART FOR MINIMUM DIMENSIONS.

**2 GRATE INLETS PRECAST CONCRETE**  
 METROPOLITAN ST. LOUIS SEWER DISTRICT  
 Standard Details of Sewer Construction  
 Dr. J.G./SAM Ch. J.C.K. 2009 SHEET 35

**PROJECT TITLE:**  
 FALLON CREST TOWNHOMES

**ENGINEERING SURVEYING**  
 221 Point West Blvd.  
 St. Charles, MO 63301  
 636-928-5532  
 FAX 636-928-1718

REFERENCE DRAWINGS ONLY, ENGINEERS SEAL DOES NOT APPLY TO THESE DETAILS

REVISIONS	
8-15-19	city comments
9-3-19	city comments

**Developer / Owner:**  
 CORPORATE GROUP INC.  
 2500 S. OLD HWY 94, SUITE 200  
 ST. CHARLES, MO. 63303  
 636-946-0761

**STORM DETAILS**

**P+Z No.** # 19-005136  
**Approval Date:** July 18, 2019  
**City No.** #  
**Page No.**  
 17 of 20

\* All other Storm or Sanitary Sewer Details will be by M.S.D. 2000 Standards and Specifications.  
 \*\* All inlets shall have 5/8" trash bar centered with the opening(s).