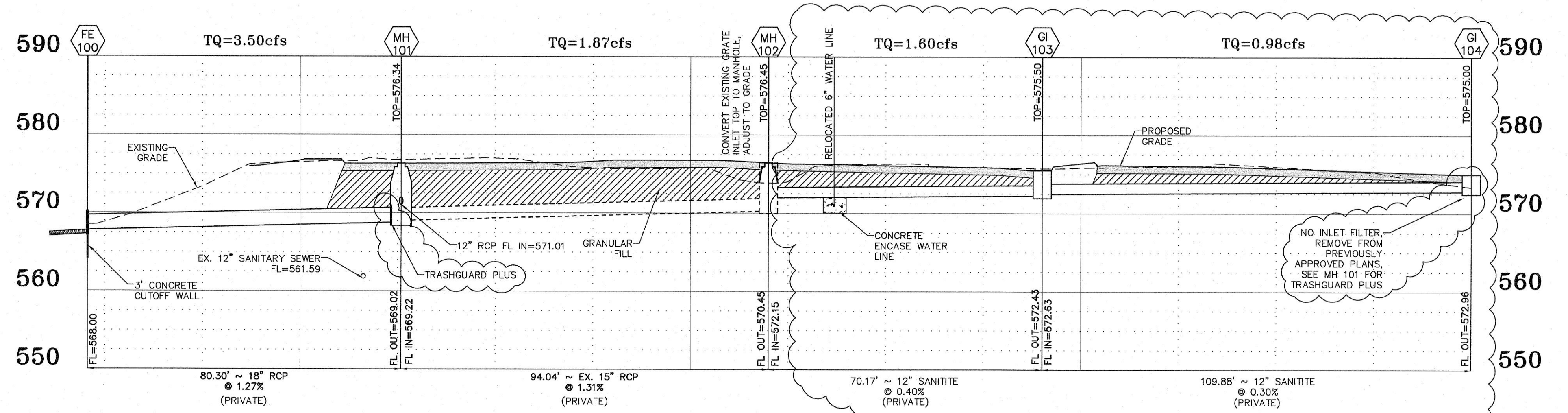


STORM SEWER PROFILE
 HORIZONTAL SCALE: 1"=20'
 VERTICAL SCALE: 1"=10'



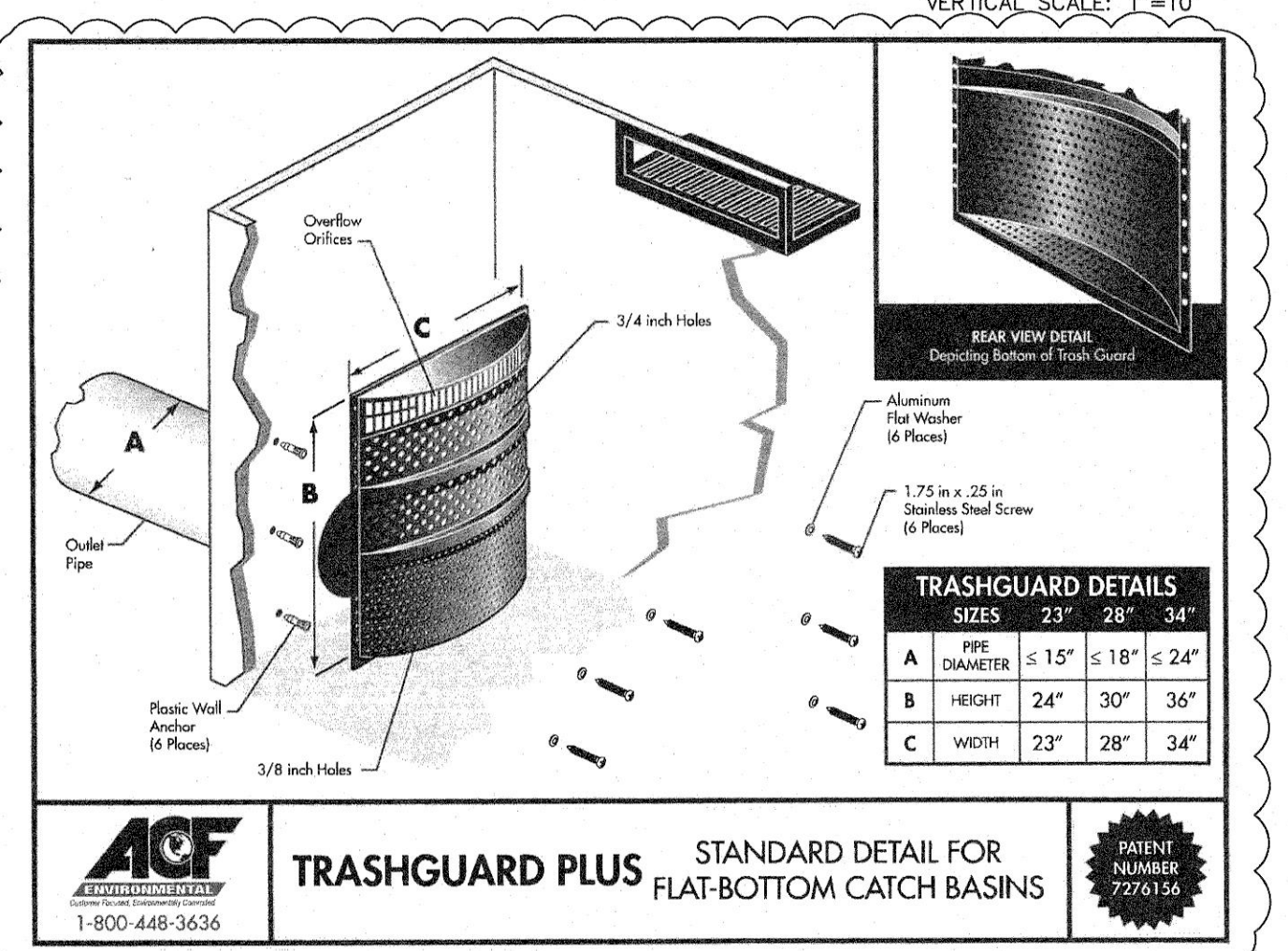
STORM SEWER PROFILE
 HORIZONTAL SCALE: 1"=20'
 VERTICAL SCALE: 1"=10'

BAX PROJECT NAME :
 BAX PROJECT NO. :
 DESIGN DATE :
 DESIGNED BY :

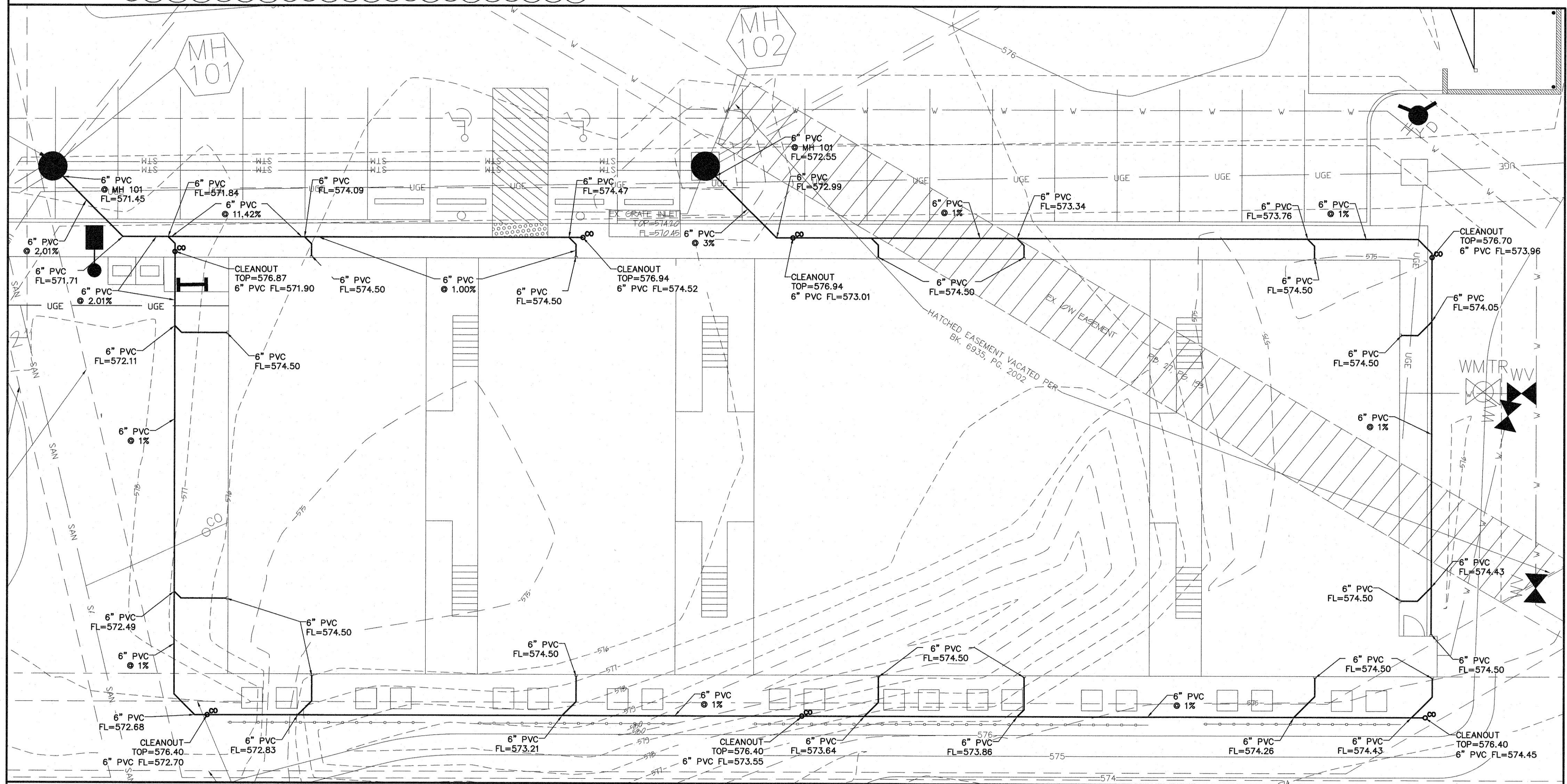
SUBMITTED: FILENAME: 1820FREY

UPP STR	LOW STR	L DIA	UPPER FL LN	LOWER FL LN	PS	UPPER ST EL	DEPTH HY GR	UPPER HY EL	LOWER HY EL	HYDR GRADE	FR HEAD	VEL	VEL HEAD	JUNC LOSS	TURN LOSS	CURVE LOSS	STR GRADE	INL CAP	DR AREA	PI	Q	TQ	PIPE CAP	LINE NUMBER	REMARKS
GI105	MH101	49	12 571.50	571.01	0.99	575.50	2.86	572.64*	572.58	.00080	0.04	1.25	0.02	0.02	0.00	0.00	0.00	0.00	0.00	0.00	0.00	0.98	3.55	1	
GI104	GI103	110	12 571.57	571.13	0.40	575.00	2.01	572.99*	572.89	.00080	0.08	1.25	0.02	0.02	0.00	0.00	0.00	0.00	0.00	0.00	0.00	0.98	2.25	2	
GI103	GI102	70	12 570.93	570.65	0.40	575.50	2.61	572.89	572.70	.00200	0.14	2.04	0.06	0.05	0.01	0.00	0.00	0.00	0.00	0.00	0.00	1.60	2.25	3	
MH102	MH101	94	15 570.45	569.22	1.31	576.45	3.75	572.70	572.58	.00080	0.08	1.52	0.04	0.04	0.00	0.00	0.00	0.00	0.00	0.00	0.00	1.87	7.39	4	
MH101	FE100	80	18 569.02	568.00	1.27	576.34	3.76	572.58	572.45	.00110	0.09	1.98	0.06	0.04	0.02	0.00	0.00	0.00	0.00	0.00	0.00	3.50	11.84	5	572.45

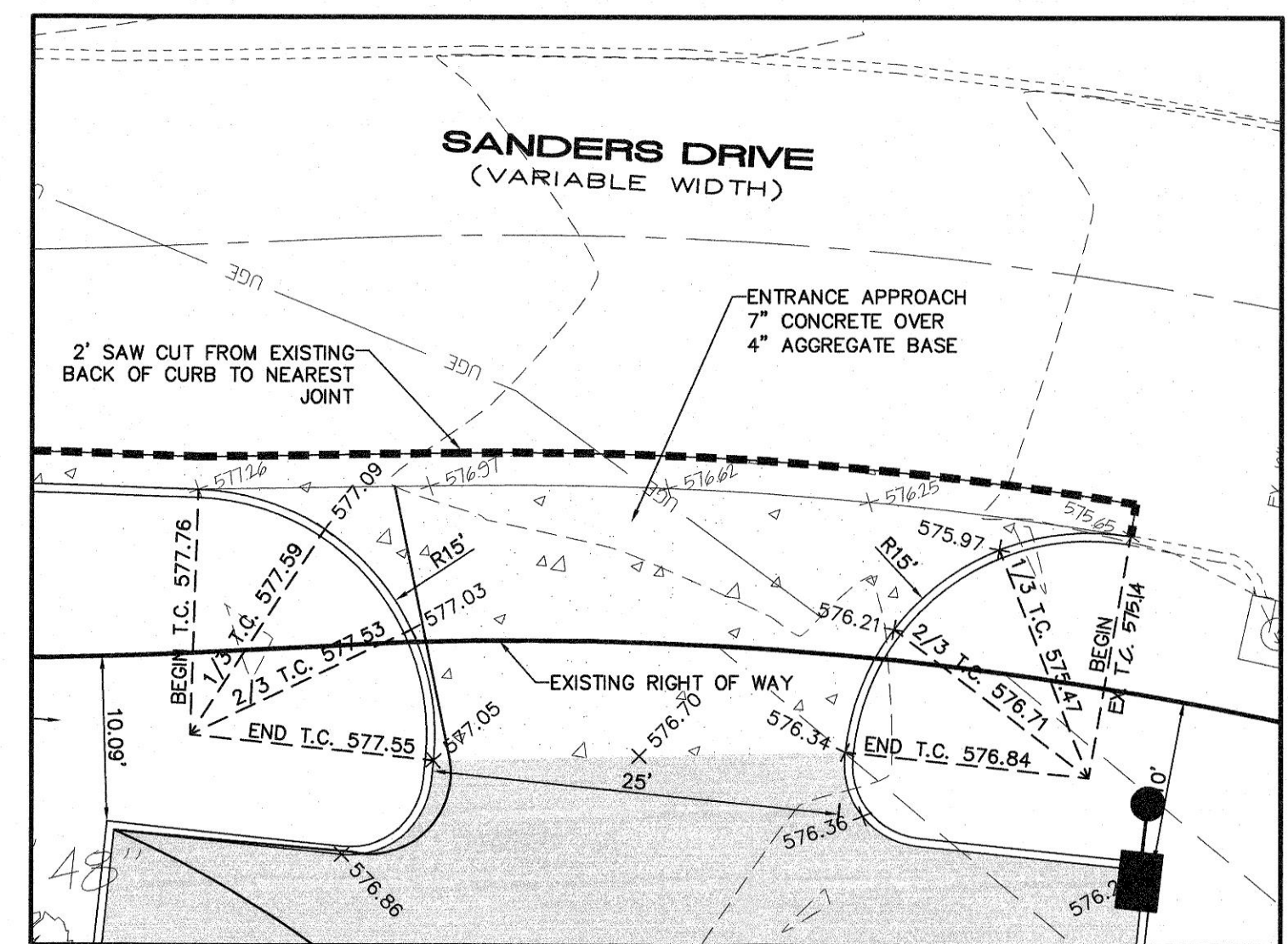
* INDICATES CRITICAL DEPTH



TRASHGUARD PLUS STANDARD DETAIL FOR FLAT-BOTTOM CATCH BASINS



DOWNSPOUT PLAN
 HORIZONTAL SCALE: 1"=10'



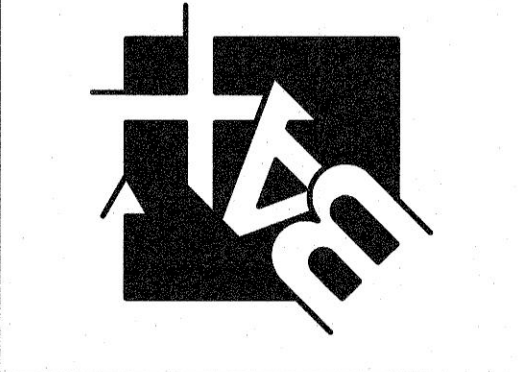
ENTRANCE DETAIL
 HORIZONTAL SCALE: 1"=10'

APPROVED

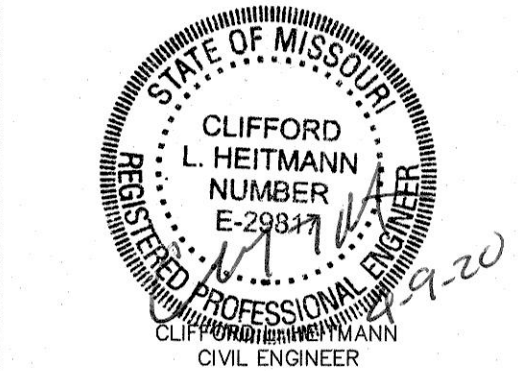
Jamie Greenlee 04/15/2020

PROJECT TITLE:
 FALLON CREST TOWNHOMES

ENGINEERING PLANNING SURVEYING
 221 Point View Blvd.
 St. Charles, MO 63301
 636-928-5562
 FAX 636-928-1718



DISCLAIMER OF RESPONSIBILITY
 I hereby specify that the documents intended to be authorized by my seal are limited to this sheet, and I hereby disclaim any responsibility for all other drawings, specifications, estimates, reports or other documents or instruments relating to or intended to be used for any part or parts of the architectural or engineering project or survey.



Copyright 2020
 Box Engineering Company, Inc.
 Engineering Authority No. 000655
 Surveying Authority No. 000144
 All Rights Reserved

REVISIONS

8-15-19	city comments
9-3-19	city comments
4-9-20	storm sewer rev

Developer / Owner:
 CORPORATE GROUP INC.
 2500 S. OLD HWY 94, SUITE 200
 ST. CHARLES, MO. 63303
 636-946-0761

STORM PROFILES AND ENTRANCE DETAIL

P+Z No. # 19-005136
Approval Date: July 18, 2019

City No. #

Page No.
 8 of 20

Bax Project # 85-1820F Issue Date: 7/22/2019