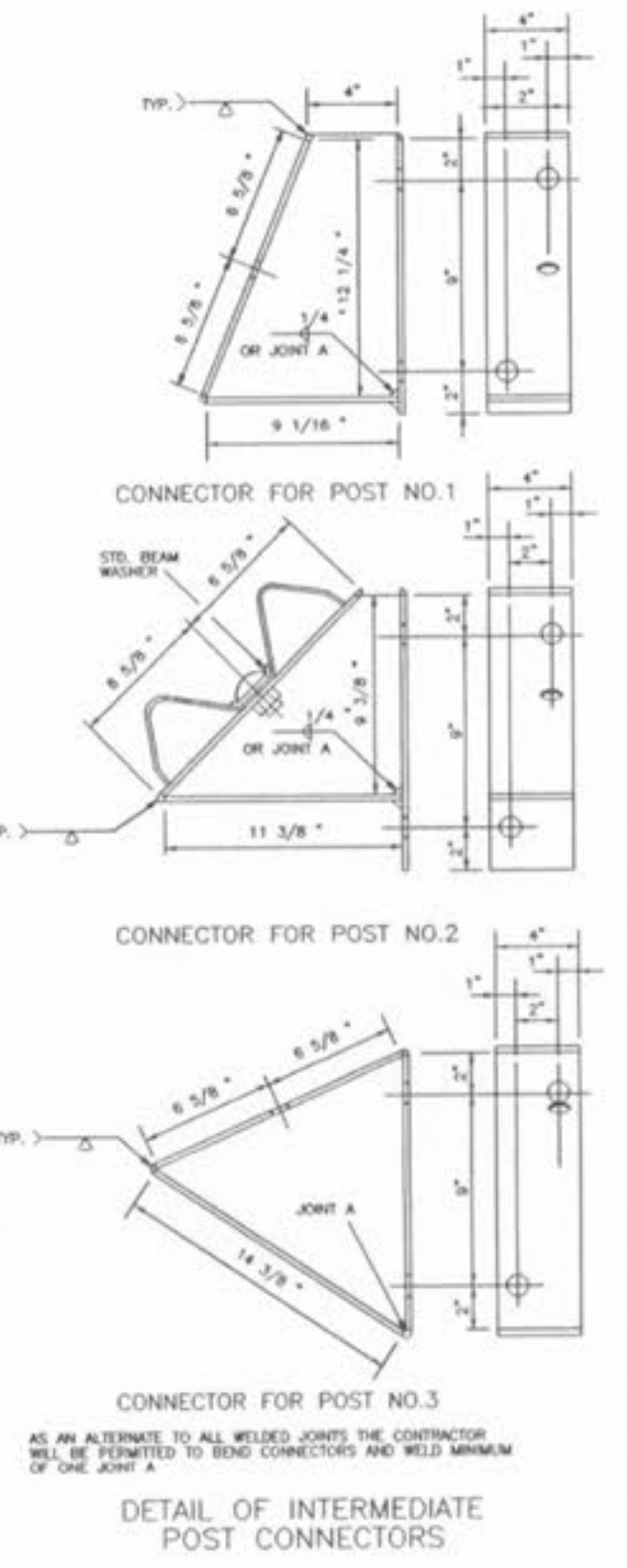
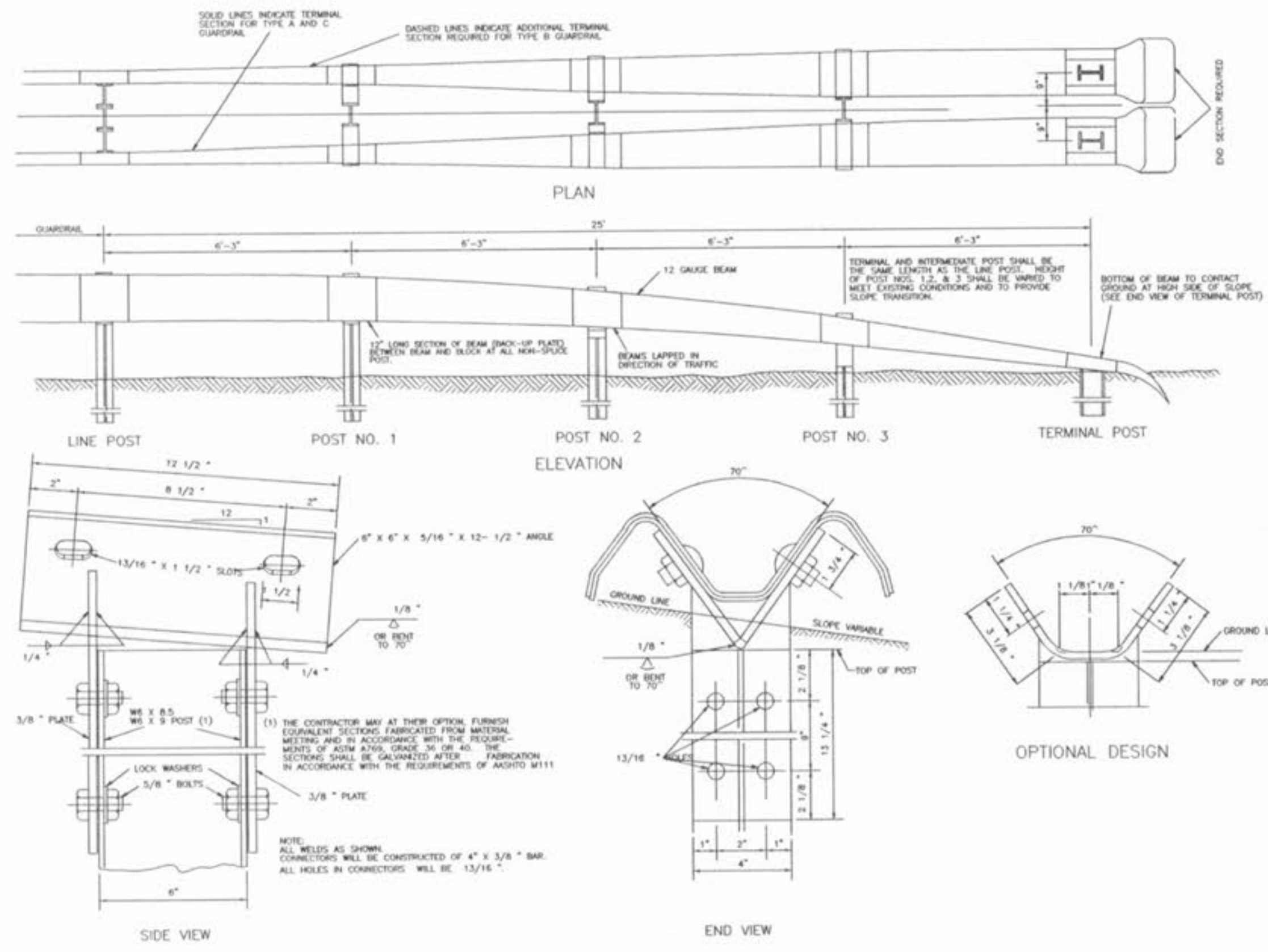


GUARDRAIL DETAIL

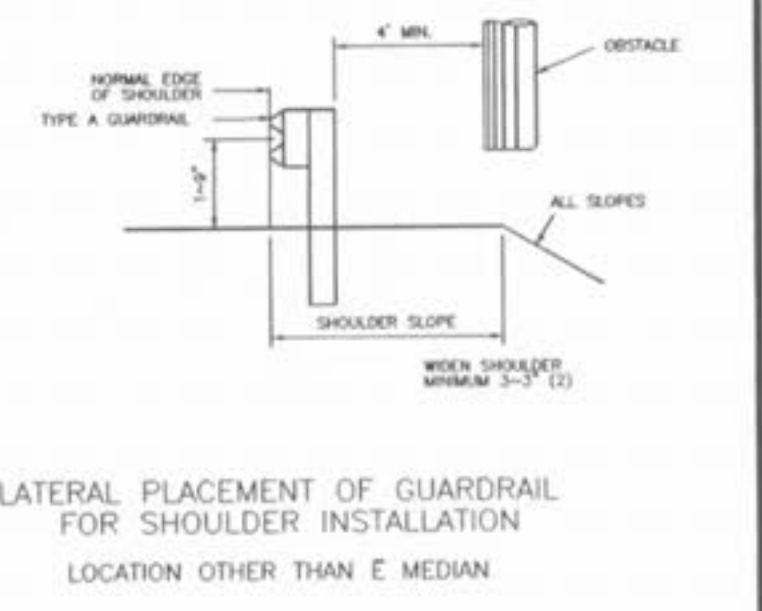
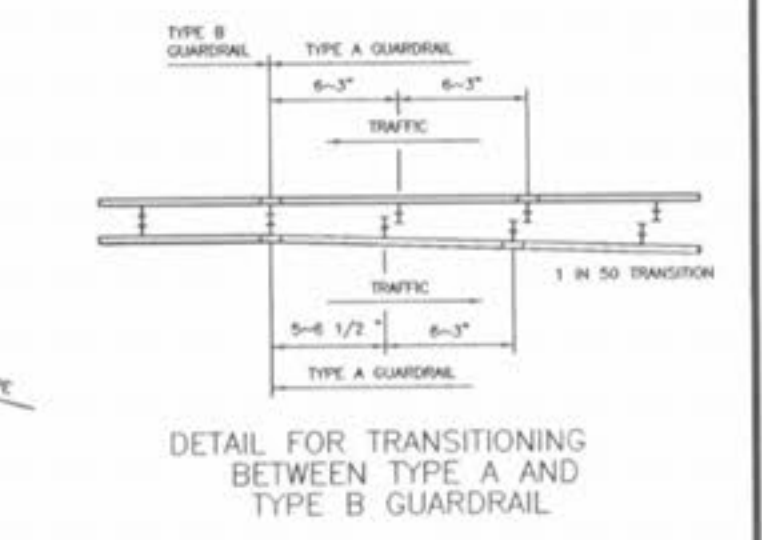
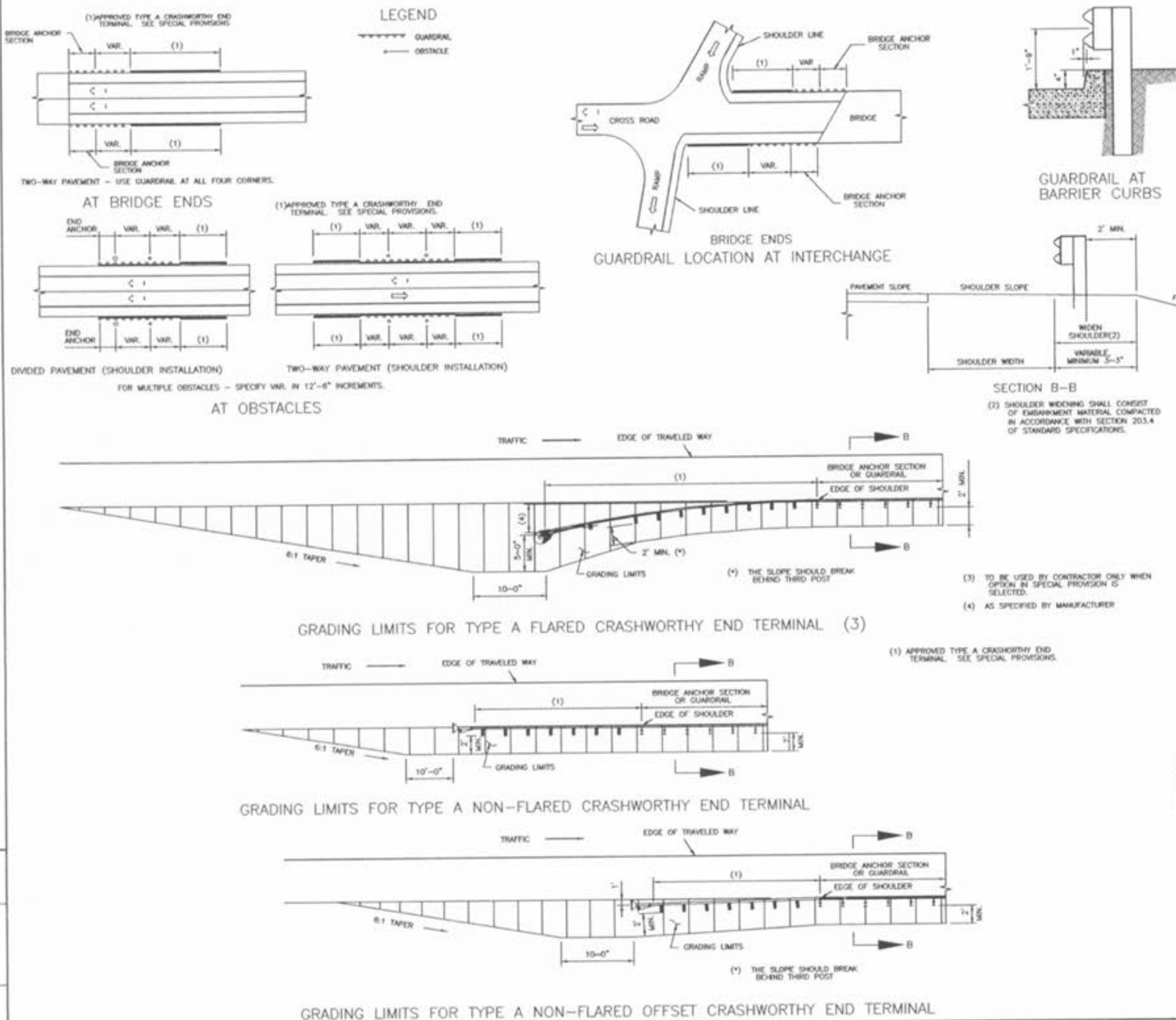


DETAIL OF TERMINAL POST CONNECTOR

SAINT CHARLES COUNTY
 HIGHWAY DEPARTMENT
 ST. CHARLES, MISSOURI

TERMINAL SECTION

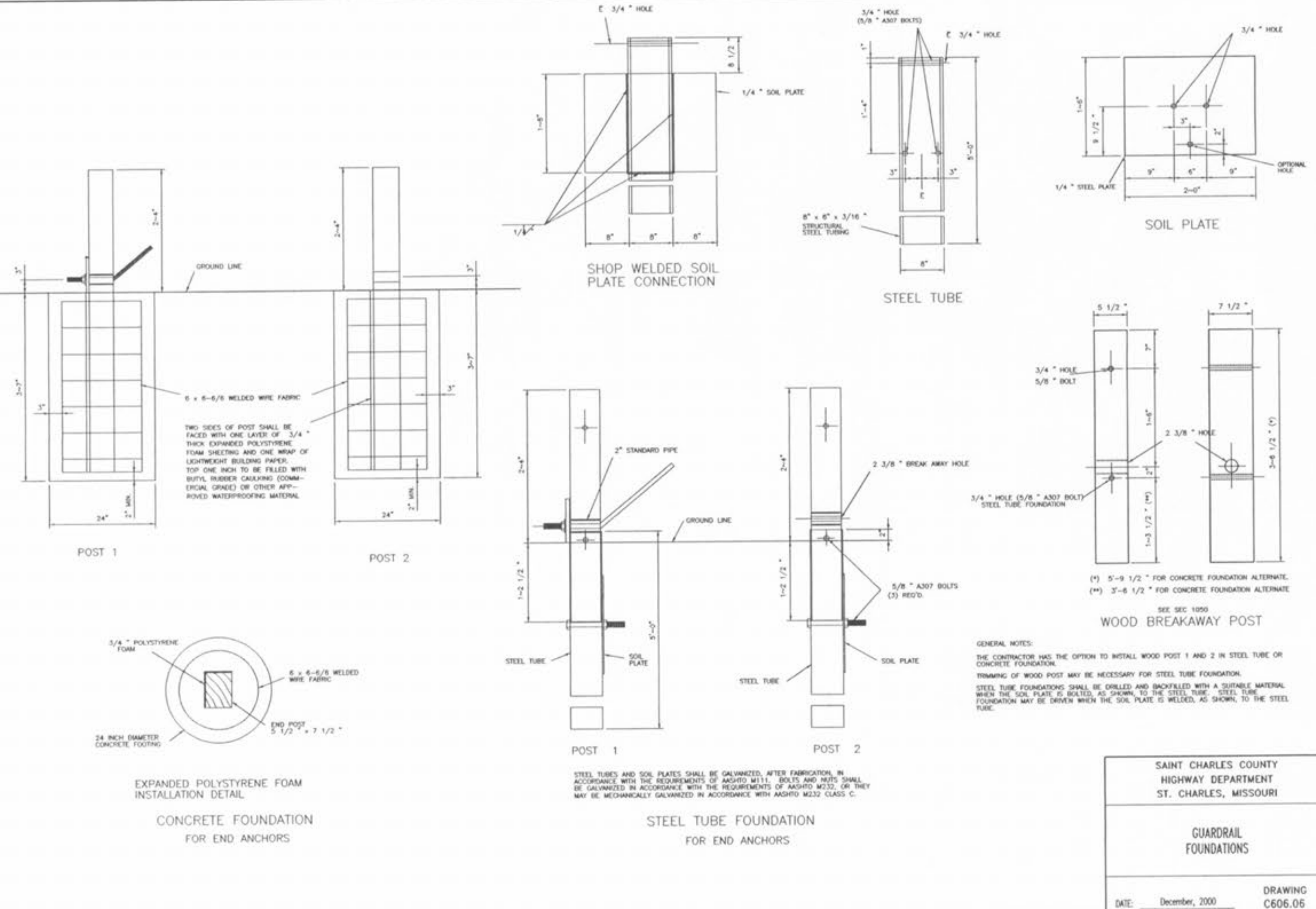
DATE: December, 2000 DRAWING: C606.11



SAINT CHARLES COUNTY
 HIGHWAY DEPARTMENT
 ST. CHARLES, MISSOURI

GUARDRAIL

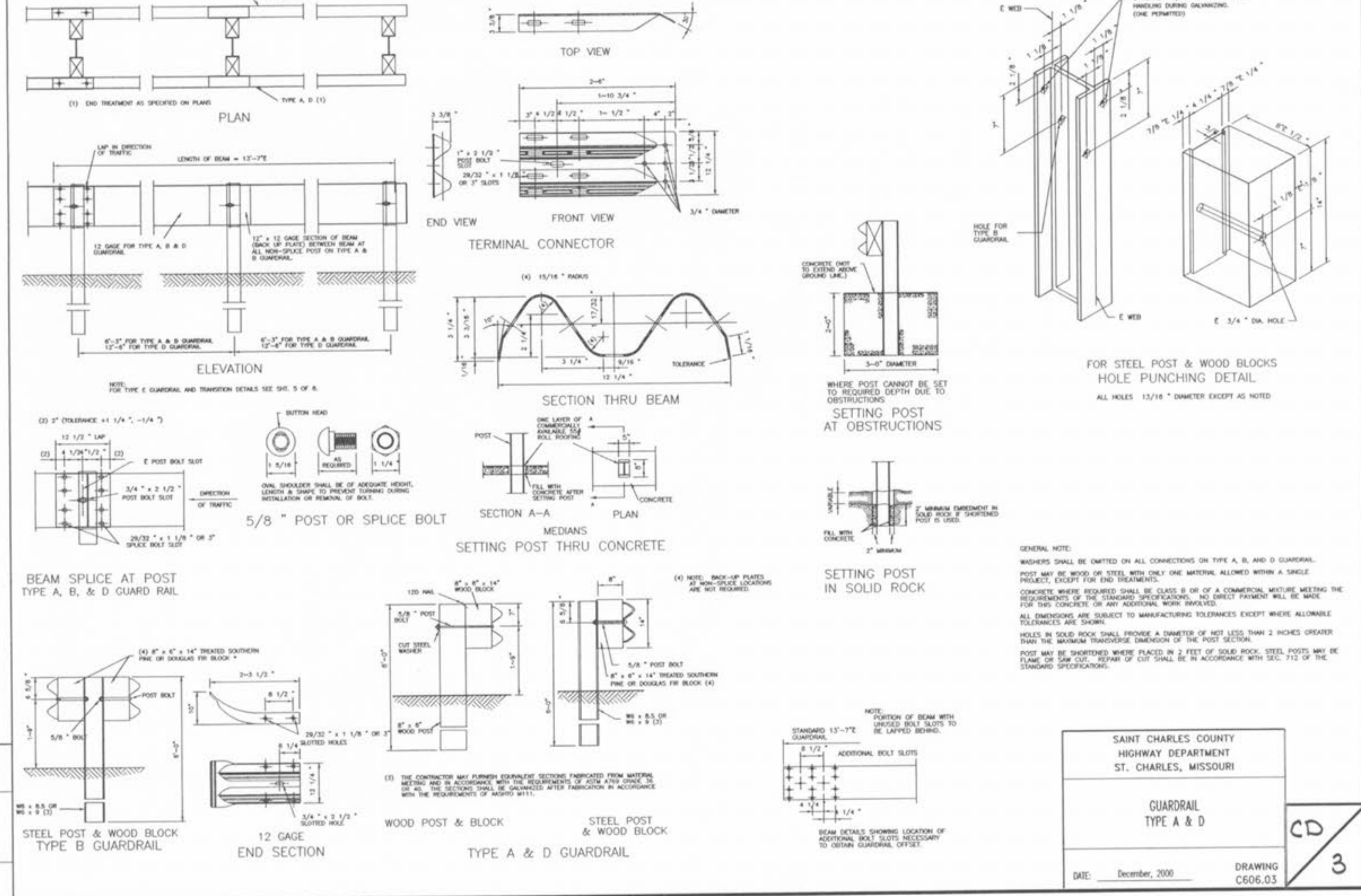
DATE: December, 2000 DRAWING: C606.00



SAINT CHARLES COUNTY
 HIGHWAY DEPARTMENT
 ST. CHARLES, MISSOURI

GUARDRAIL FOUNDATIONS

DATE: December, 2000 DRAWING: C606.06



SAINT CHARLES COUNTY
 HIGHWAY DEPARTMENT
 ST. CHARLES, MISSOURI

GUARDRAIL TYPE A & D

DATE: December, 2000 DRAWING: C606.03