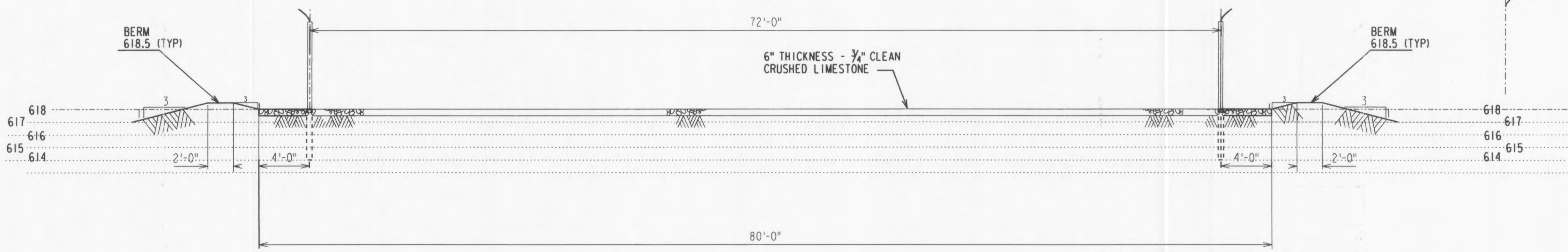
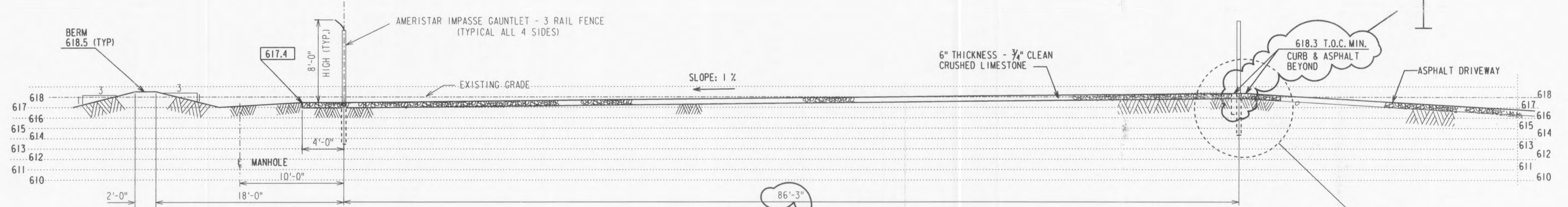


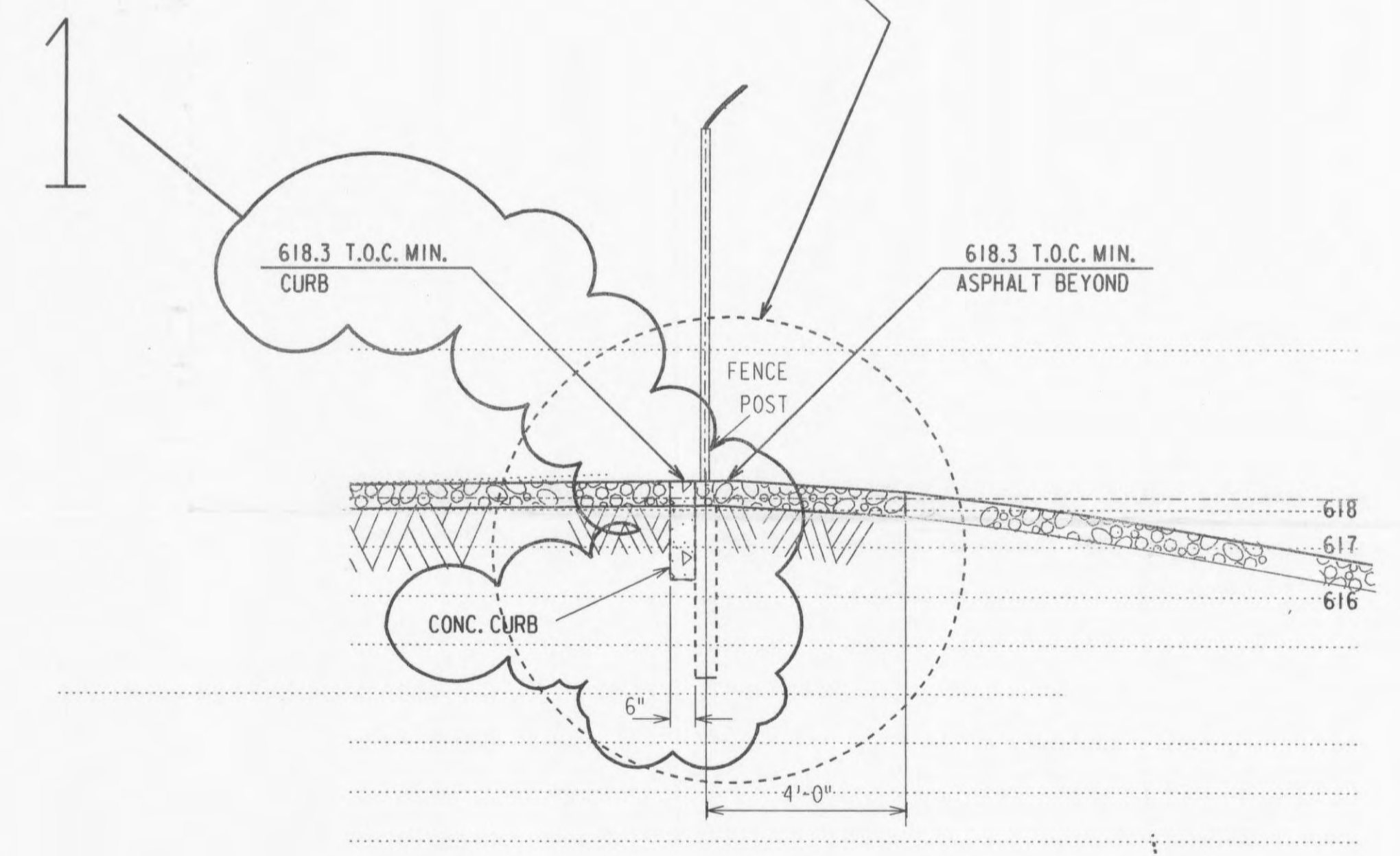
REVISIONS			
REV. 0	W.O. M572	DATE	DRAWN MEJ
FIRST ISSUE			
REV. 1	DATE 03/26/07	DRAWN MEJ	
CHKD NOT	SUPV	APPD	
W.O. 14572	FILM		
PERMITTING CHANGES			



SECTION '1-1'
SCALE: 3/16" = 1'-0"



SECTION '2-2'
SCALE: 3/16" = 1'-0"



CITY OF O'FALLON
COMMUNITY DEVELOPMENT DEPARTMENT
ACCEPTED FOR CONSTRUCTION PROPERTY - GRADING, SURFACING & FENCE
DATE: 4/9/07
PROFESSIONAL ENGINEER'S SEAL
INDICATES RESPONSIBILITY FOR DESIGN

APPROVED FOR CONSTRUCTION
JOB NO. INITIALS

NOTICE OF LIMITED RESPONSIBILITY
THE RESPONSIBILITY OF THE UNDERSIGNED ENGINEER IS LIMITED TO THE DESIGN WORK SHOWN ON PROJECT DRAWINGS AND DOCUMENTS BEARING HIS/HER SEAL, SIGNATURE OR INITIALS. HE/SHE DOES NOT HAVE AUTHORITY OVER THE PROJECT AS A WHOLE. THE UNDERSIGNED DISCLAIMS ANY RESPONSIBILITY FOR WORK DONE UNDER SUBSEQUENT REVISIONS AND ANY OTHER DOCUMENTS ASSOCIATED WITH THE PROJECT WHICH DO NOT BEAR HIS/HER SEAL, SIGNATURE OR INITIALS.

DRAWN 02-23-2007
M.E.J.
CHKD. NOT
NOT
SUPV. D.P.S.
APPD. 02-26-2007
B.L. CALLAWAY

STATE OF MISSOURI
BRUCE L. CALLAWAY
NUMBER B-20724
PROFESSIONAL ENGINEER
3-27-07

P & DD FILE NO. 0607

PREPARED FOR **Ameren UE**

GRADING, SURFACING AND FENCE

FEISE SUBSTATION

CLASS 02010

ST. LOUIS, MISSOURI 9442-Y-183305

REV. 1