

REVISIONS			
REV.	W.O.	DATE	DRAWN
0	14572		MEJ

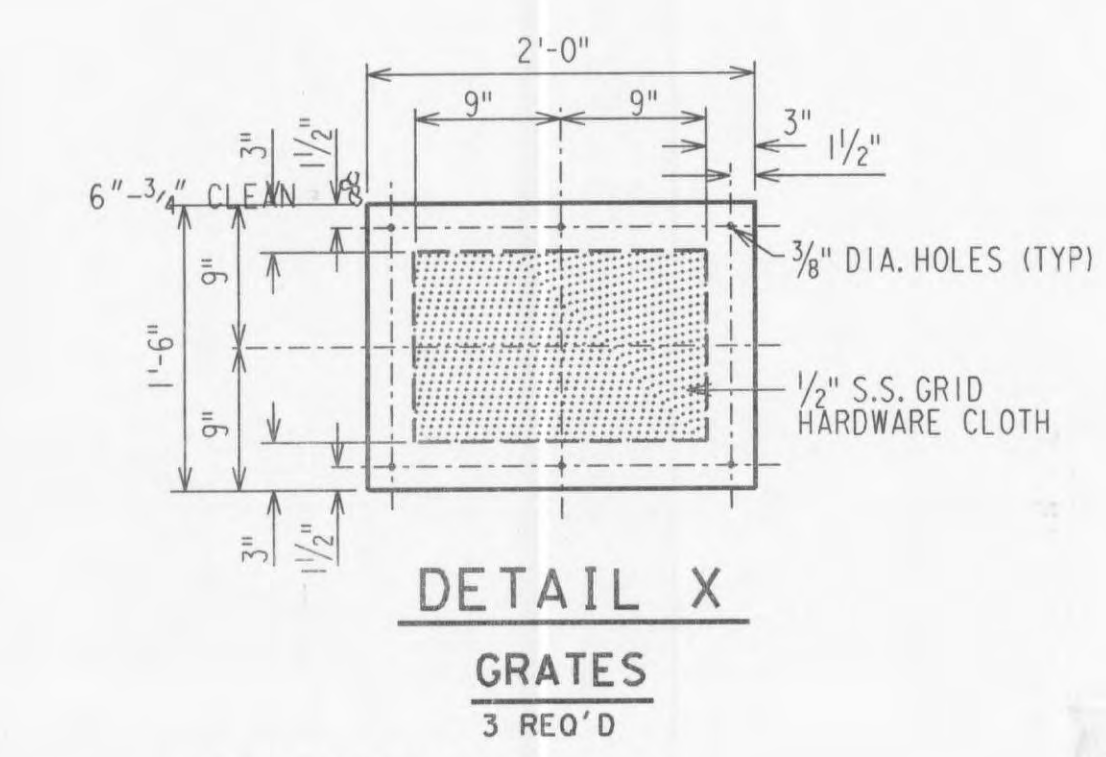
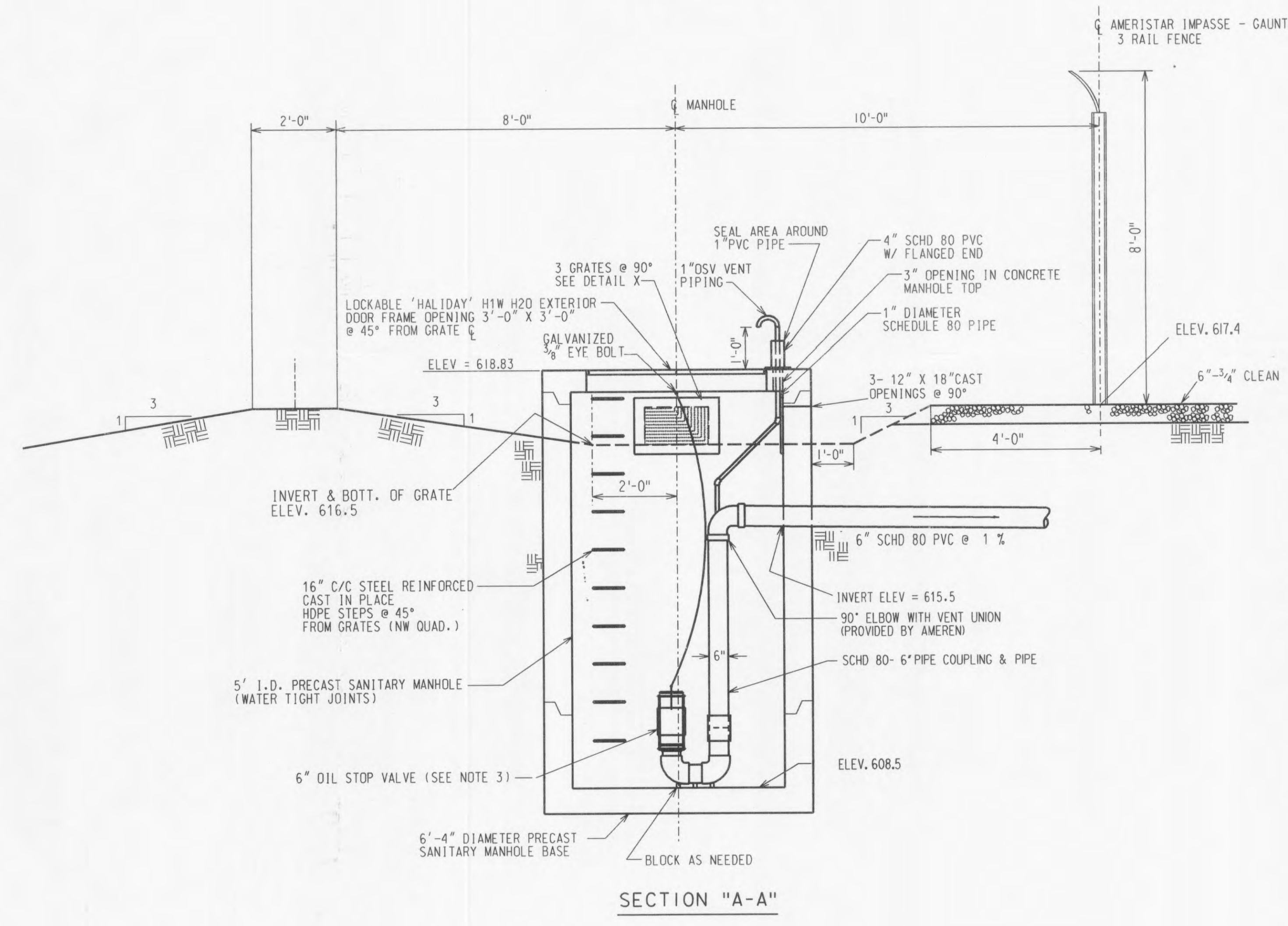
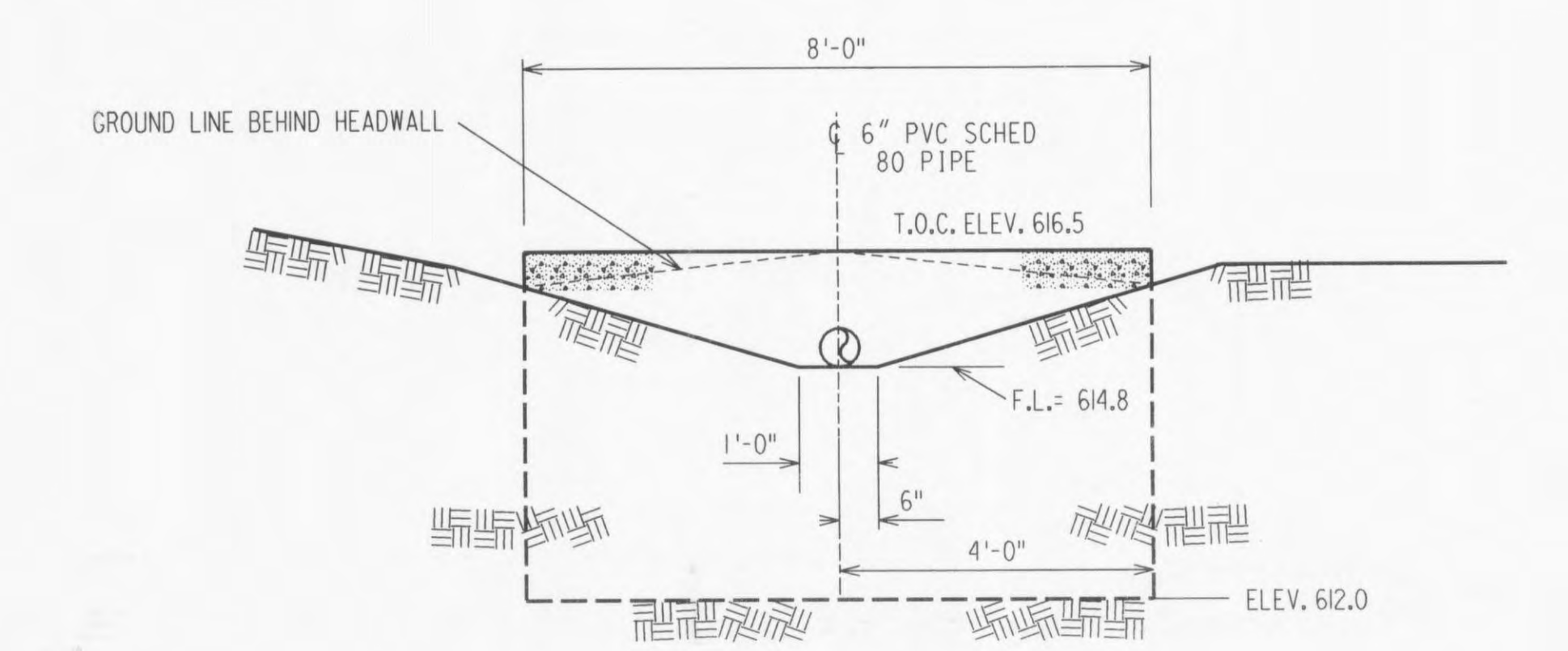
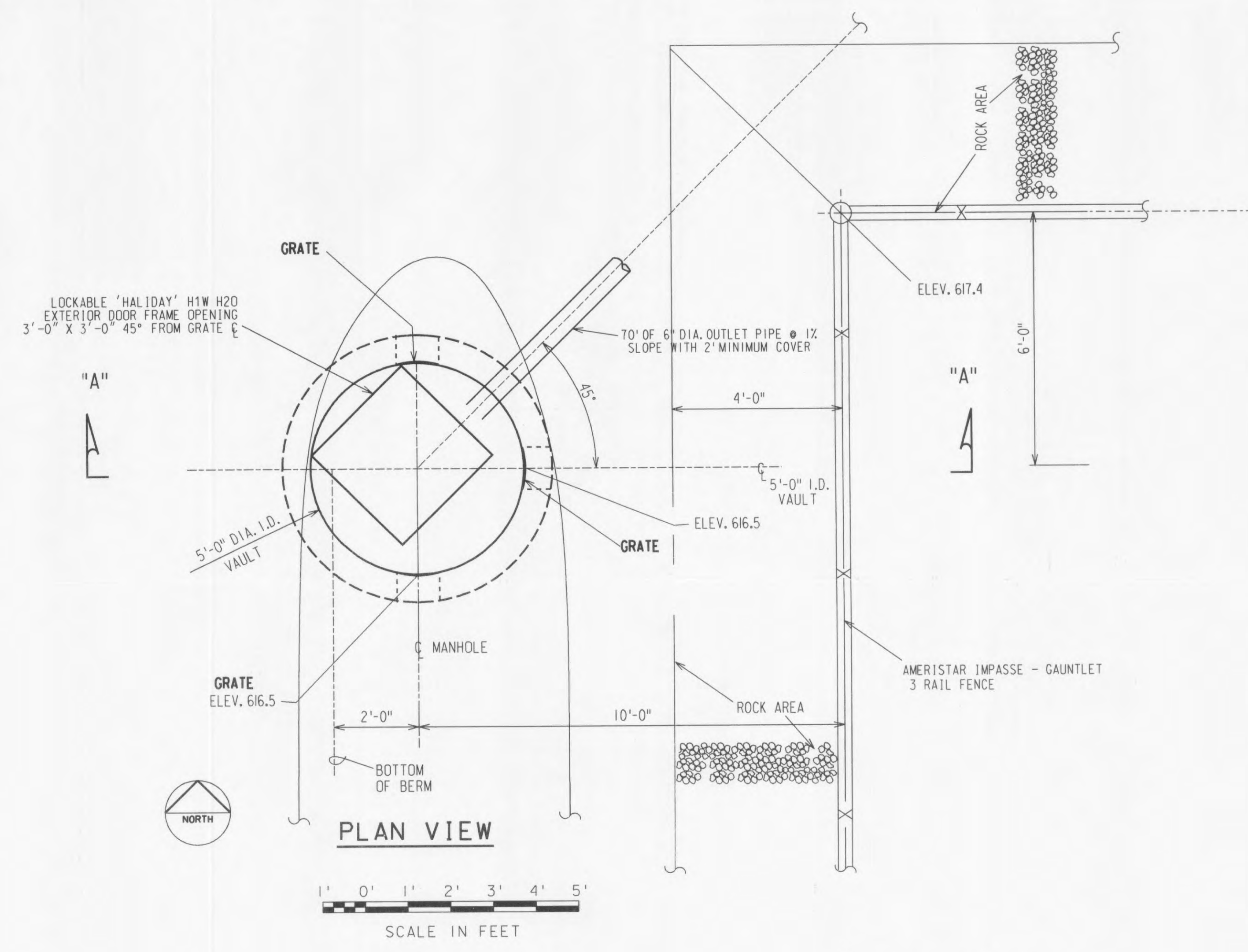
FIRST ISSUE

REV.	DATE	DRAWN
1	032607	MEJ

CHKD	SUPV	APPD
NOT		

W.O.	FILM
14572	

PERMITTING CHANGES



- GRATE NOTES:**
- 1/8" X 18" X 24" S.S (304) PLATE.
 - 1/2" S.S (304) HARDWARE CLOTH PLACED BETWEEN 304 S.S. PLATE AND MANHOLE.
 - BEND S.S. PLATE TO MATCH MANHOLE O.D.
 - ATTACH TO INSIDE OF MANHOLE WITH 6-1/4" X 2" COMPRESSION TYPE RED HEAD WITH WASHERS.

- GENERAL NOTES:**
1. THE MANHOLE SHALL BE PRECAST SANITARY SEWER MANHOLE WITH A FLAT TOP AND A LOCKABLE CAST-IN-PLACE 'HALIDAY' DOOR.
 2. ALL JOINTS IN THE MANHOLE, INCLUDING THE JOINT BETWEEN THE BASE AND THE BOTTOM RING, SHALL BE WATER TIGHT. ALL PIPE PENETRATIONS SHALL BE WATERTIGHT.
 3. THE OIL STOP VALVE SHALL BE PROVIDED BY AMEREN AND INSTALLED BY THE CONTRACTOR. THE STOP VALVE SHALL BE MANUFACTURED BY AFL INDUSTRIES, OR EQUIVALENT.
 4. IF THE OIL STOP VALVE IS NOT AVAILABLE FOR INSTALLATION AT THE TIME OF MANHOLE CONSTRUCTION, THE CONTRACTOR SHALL EXTEND THE SIX INCH PVC LINE A MINIMUM OF 12 INCHES INTO THE MANHOLE FOR LATER CONNECTION TO THE STOP VALVE.

CITY OF FALLON
 DEVELOPMENT DEPARTMENT
 PREPARED FOR CONSTRUCTION
 DATE: *4/10/07*
 PROFESSIONAL ENGINEER'S SEAL
 RESPONSIBILITY FOR DESIGN

PROPERTY - GRADING, SURFACING & FENCE 9442-Y-183301
 PROPERTY - TOPOGRAPHIC SURVEY 9442-Y-170990

P & DD FILE NO. 0607

APPROVED FOR CONSTRUCTION
 JOB NO. INITIALS

NOTICE OF LIMITED RESPONSIBILITY

THE RESPONSIBILITY OF THE UNDERSIGNED ENGINEER IS LIMITED TO THE DESIGN WORK SHOWN ON PROJECT DRAWINGS AND DOCUMENTS BEARING HIS/HER SEAL, SIGNATURE OR INITIALS. HE/SHE DOES NOT HAVE AUTHORITY OVER THE PROJECT AS A WHOLE. THE UNDERSIGNED DISCLAIMS ANY RESPONSIBILITY FOR WORK DONE UNDER SUBSEQUENT REVISIONS AND ANY OTHER DOCUMENTS ASSOCIATED WITH THE PROJECT WHICH DO NOT BEAR HIS/HER SEAL, SIGNATURE OR INITIALS.

3-27-07
 STATE OF MISSOURI
 BRUCE L. CALLAWAY
 NUMBER 220724
 PROFESSIONAL ENGINEER

PREPARED FOR **Ameren UE**

**STRUCTURE - MISC. DETAILS
 OIL SPILL CONTAINMENT &
 WATER DISCHARGE**

APPD. 02-26-07 LOCATION 004724 CLASS 04030
 B.L. CALLAWAY
 FEISE SUBSTATION
 9442-Y-183302
 ST. LOUIS, MISSOURI
 REV. 1