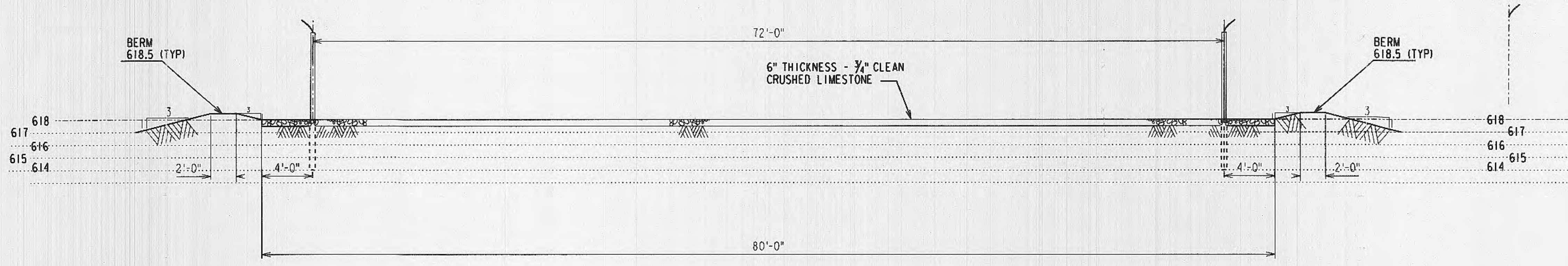
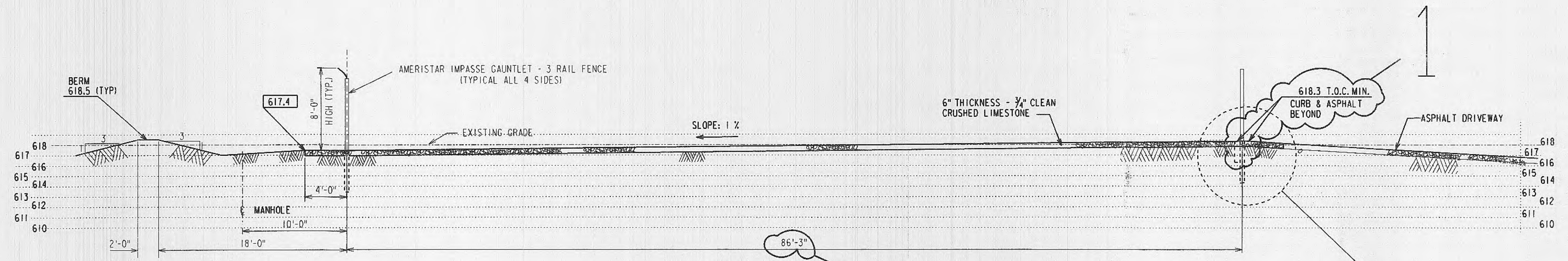


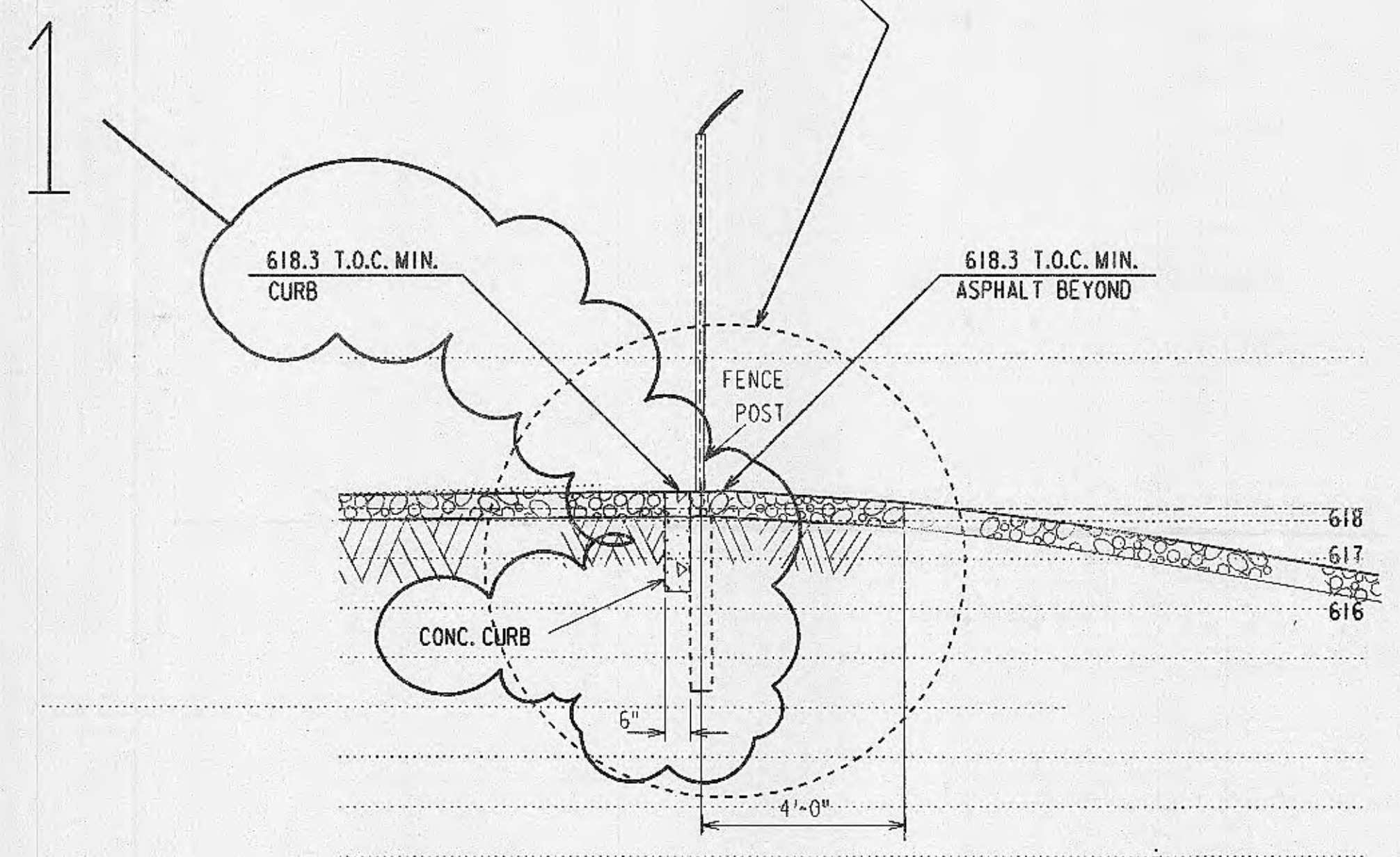
REVISIONS			
REV.	W.O.	DATE	DRAWN
0	14572		MEJ
FIRST ISSUE			
REV.	DATE	SUPV.	APPD.
1	032607		
CHKD.	NOT.	W.O.	F.L.M.
		14572	
PERMITTING CHANGES			



SECTION '1-1'
SCALE: 3/8" = 1'-0"



SECTION '2-2'
SCALE: 3/8" = 1'-0"



CITY OF O'FALLON
 COMMUNITY DEVELOPMENT DEPARTMENT
 ACCEPTED FOR CONSTRUCTION PROPERTY - GRADING, SURFACING & FENCE 9442-Y-183301
 BY: [Signature] DATE: 4/19/07 PROPERTY - FENCE DETAILS 9442-Y-183307
 PROFESSIONAL ENGINEER'S SEAL
 INDICATES RESPONSIBILITY FOR DESIGN

APPROVED FOR CONSTRUCTION
 JOB NO. INITIALS

NOTICE OF LIMITED RESPONSIBILITY
 THE RESPONSIBILITY OF THE UNDERSIGNED ENGINEER IS LIMITED TO THE DESIGN WORK SHOWN ON PROJECT DRAWINGS AND DOCUMENTS BEARING HIS SEAL, SIGNATURE OR INITIALS. HE/SHE DOES NOT HAVE AUTHORITY OVER THE PROJECT AS A WHOLE. THE UNDERSIGNED DISCLAIMS ANY RESPONSIBILITY FOR WORK DONE UNDER SUBSEQUENT REVISIONS AND ANY OTHER DOCUMENTS ASSOCIATED WITH THE PROJECT WHICH DO NOT BEAR HIS/HER SEAL, SIGNATURE OR INITIALS.

DRAWN 02-23-2007
 M.E.J.
 CHKD. NOT
 SUPV. D.P.S.
 APPD. 02-26-2007
 B.L. CALLAWAY

ST. LOUIS, MISSOURI
 3-27-07

P & DD FILE NO. 0607

PREPARED FOR Ameren UE

GRADING, SURFACING AND FENCE

FEISE SUBSTATION CLASS 02010
 9442-Y-183305 REV. 1