

PRECAST CONCRETE STORMWATER STRUCTURES

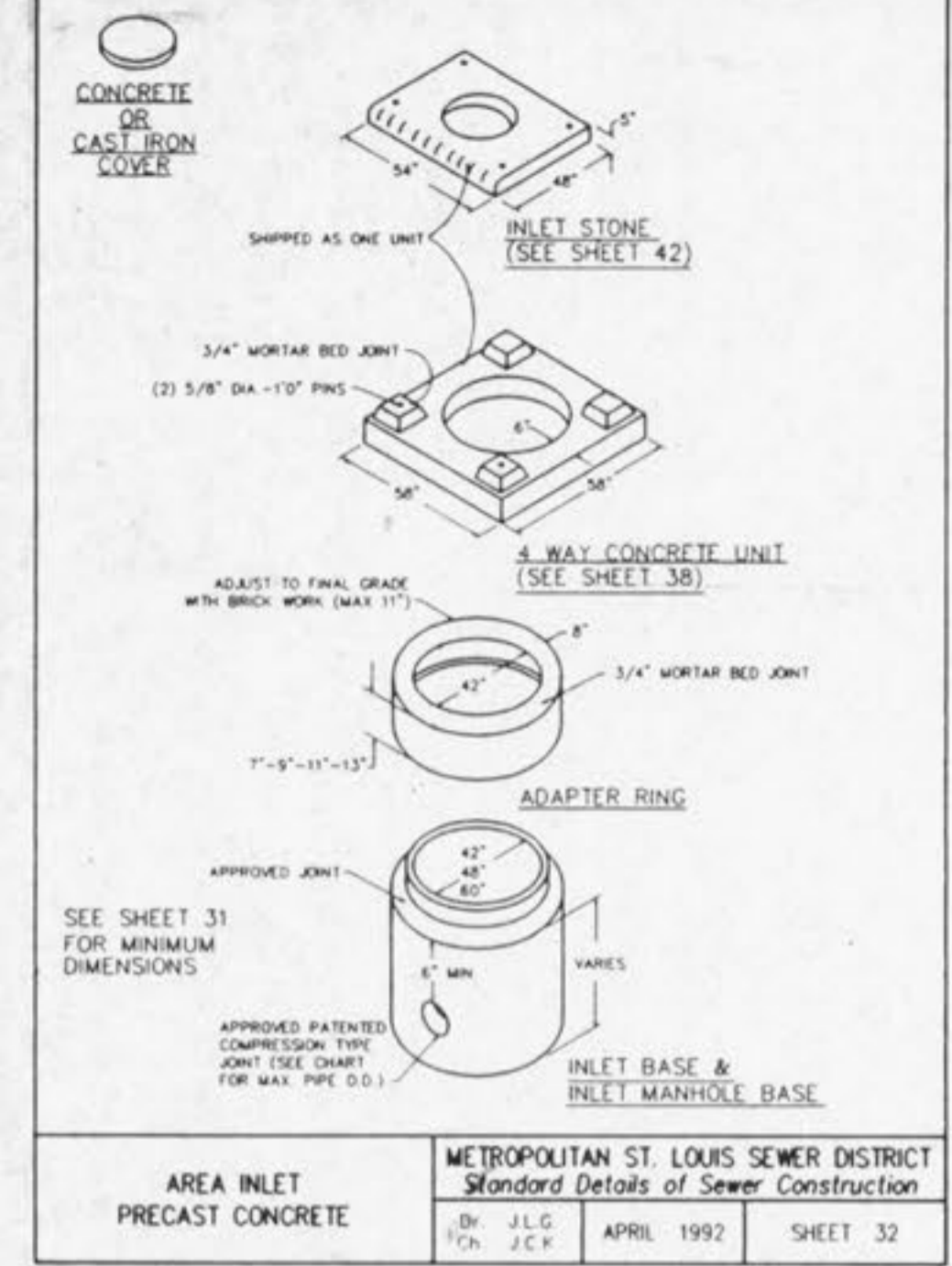
MINIMUM DISTANCE FLOWLINE TO TOP OF STONE OR GRATE

PPIC #1 NOMINAL INCHES	AREA INLET		2 GRATE INLET				SINGLE STREET INLET			
	CIRCULAR BASE DIA.	SQUARE BASE DIA.	CIRCULAR BASE DIA.	SQUARE BASE DIA.	CIRCULAR BASE DIA.	RECTANGULAR BASE DIA.	CIRCULAR BASE DIA.	RECTANGULAR BASE DIA.	CIRCULAR BASE DIA.	RECTANGULAR BASE DIA.
12"	45"	38"	45"	38"	31"	48"	41"	34"	51"	44"
15"	48"	41"	48"	41"	34"	51"	44"	37"	55"	48"
18"	52"	44"	52"	44"	40"	56"	47"	40"	60"	51"
21"	55"	47"	55"	47"	43"	59"	50"	43"	63"	54"
24"	58"	50"	58"	50"	46"	62"	53"	46"	66"	57"
27"	61"	53"	61"	53"	49"	65"	56"	49"	69"	60"
30"	64"	56"	64"	56"	52"	68"	59"	52"	72"	63"
33"	67"	59"	67"	59"	55"	71"	62"	55"	75"	66"

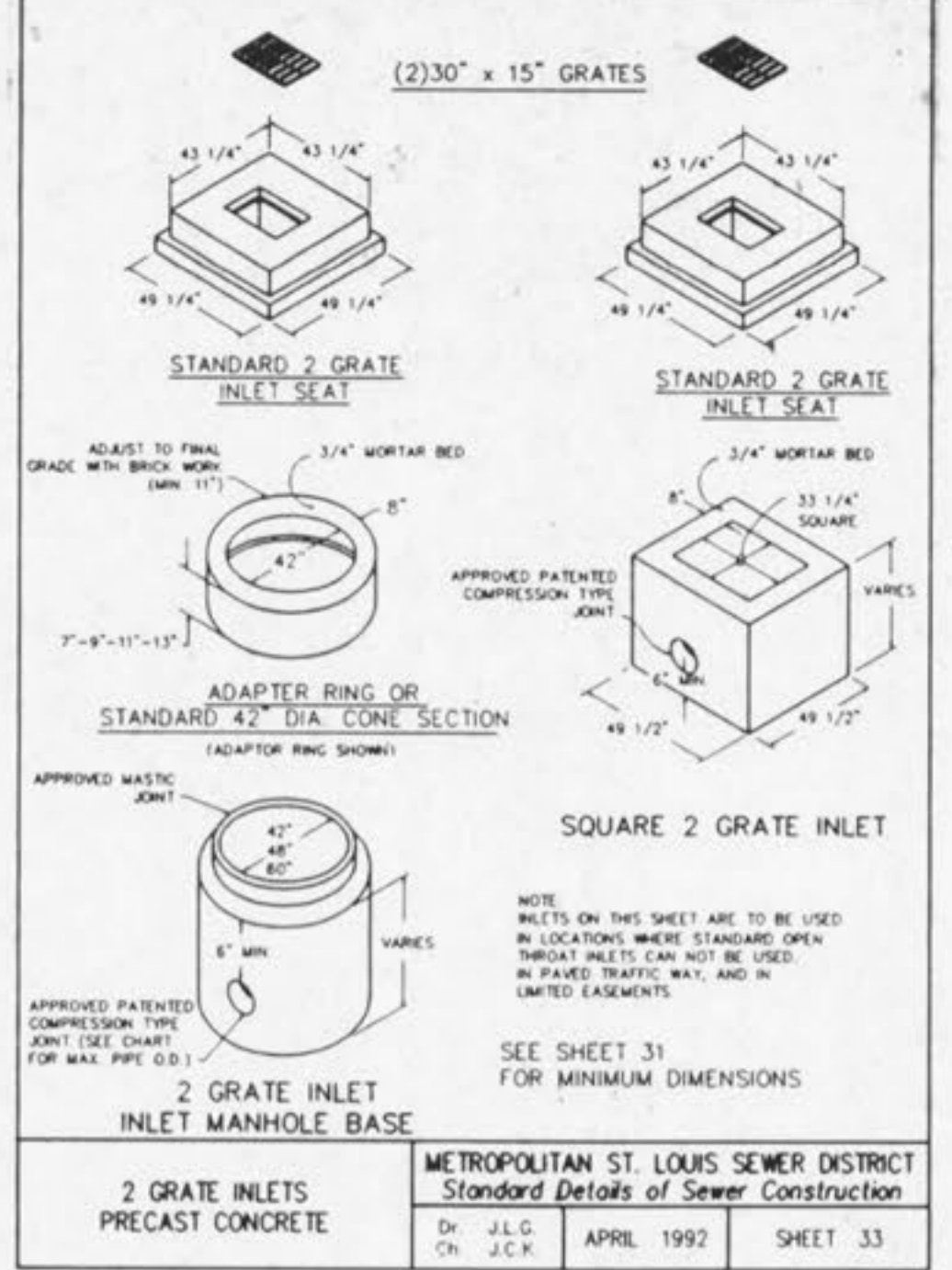
(SEE SHEET 32 FOR DETAILS) (SEE SHEET 33 FOR DETAILS) (SEE SHEET 34 FOR DETAILS)

- NOTE 1: 48" DIA. BASE REQUIRES 7" HIGH TRANSITION SECTION TO 42" DIA. SIMILAR TO "ADAPTER RING" SHEET 32.
 NOTE 2: 60" DIA. BASE REQUIRES 24" HIGH CONCENTRIC REDUCER TRANSITION TO 42" DIA. SIMILAR TO "ADAPTER RING" SHEET 32.

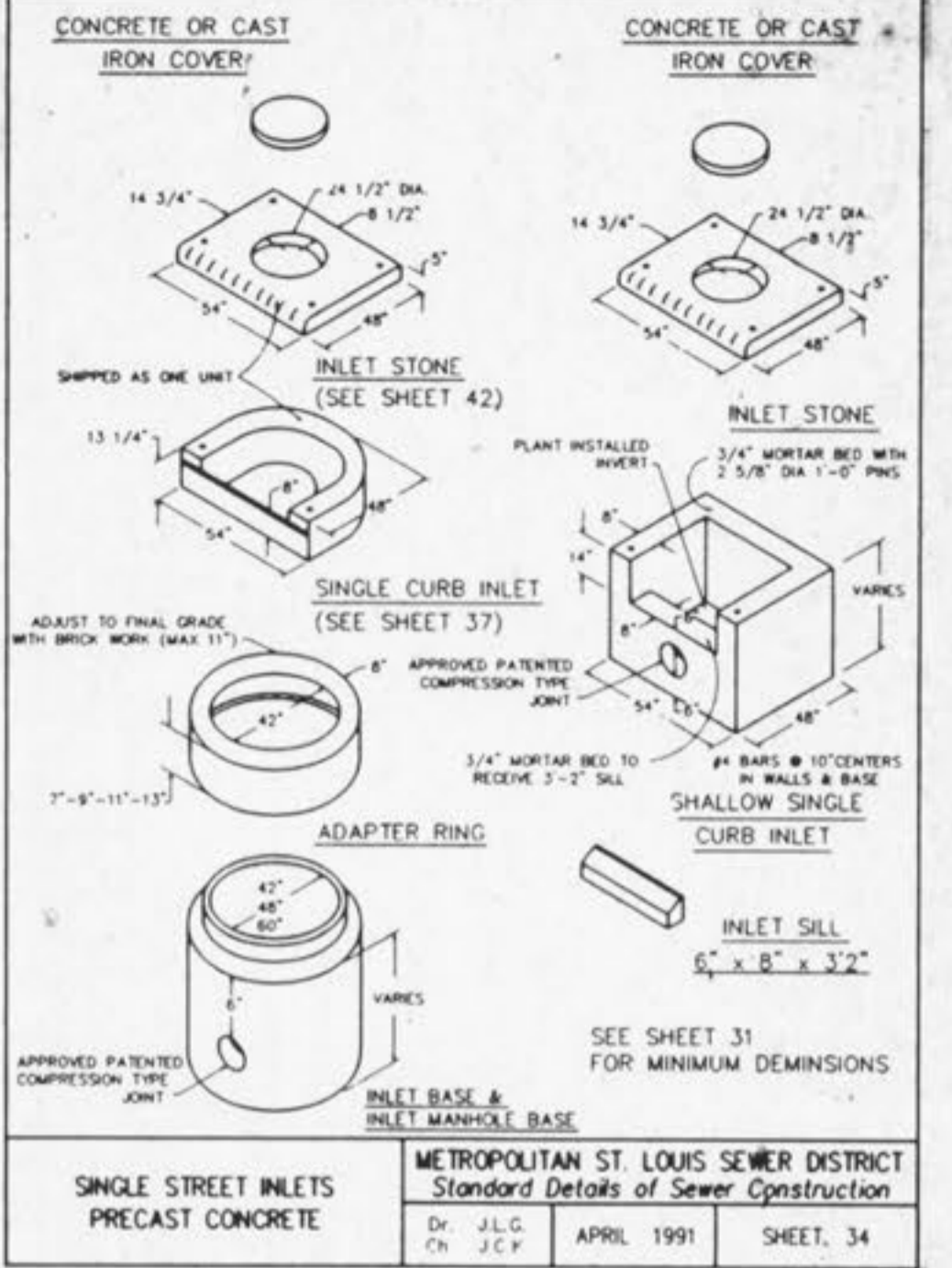
PRECAST CONCRETE STORMWATER STRUCTURES
 METROPOLITAN ST. LOUIS SEWER DISTRICT
 Standard Details of Sewer Construction
 Dr. J.L.G. Ch. J.C.K. SEPT. 1990 SHEET 31



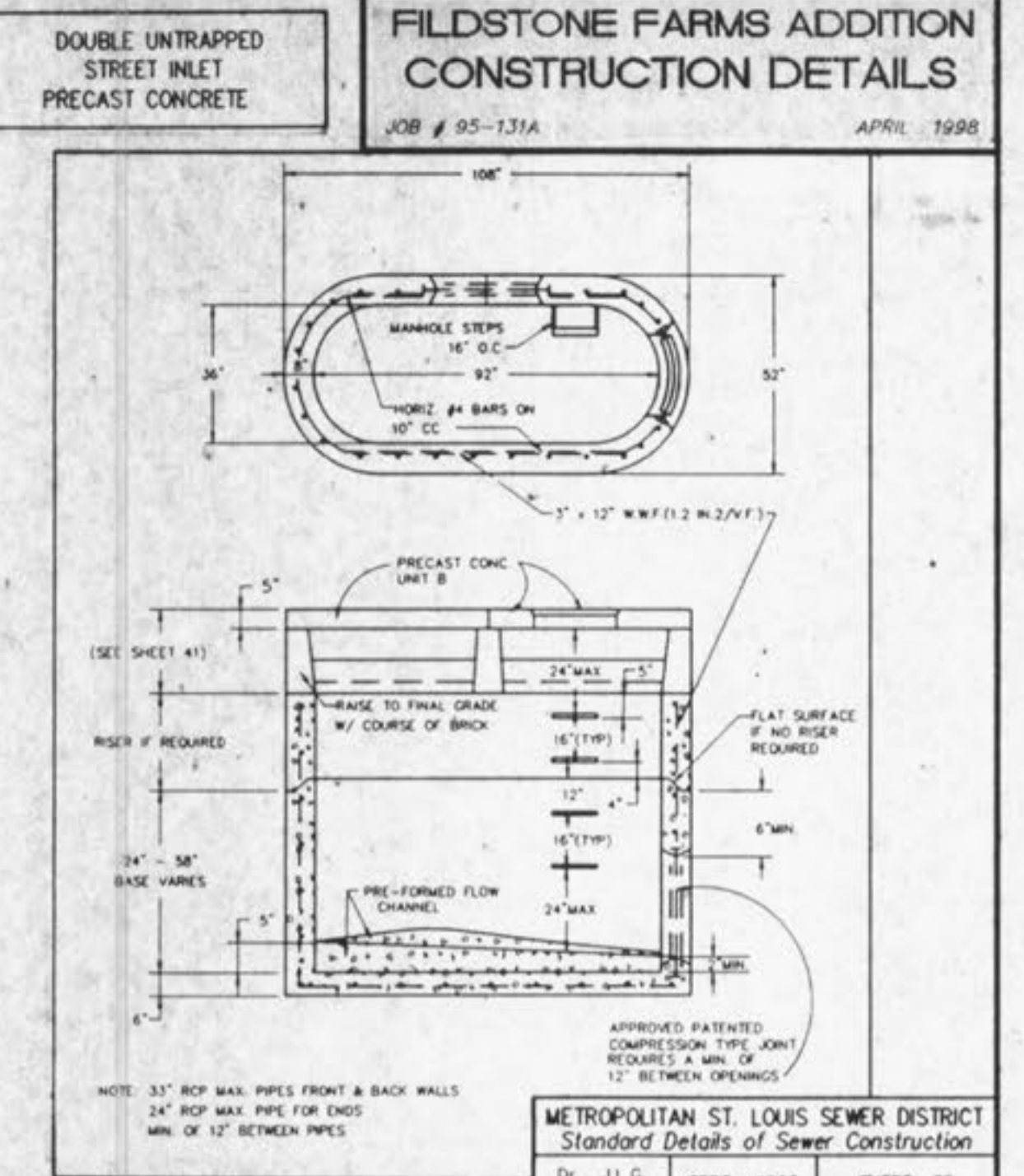
AREA INLET PRECAST CONCRETE
 METROPOLITAN ST. LOUIS SEWER DISTRICT
 Standard Details of Sewer Construction
 Dr. J.L.G. Ch. J.C.K. APRIL 1992 SHEET 32



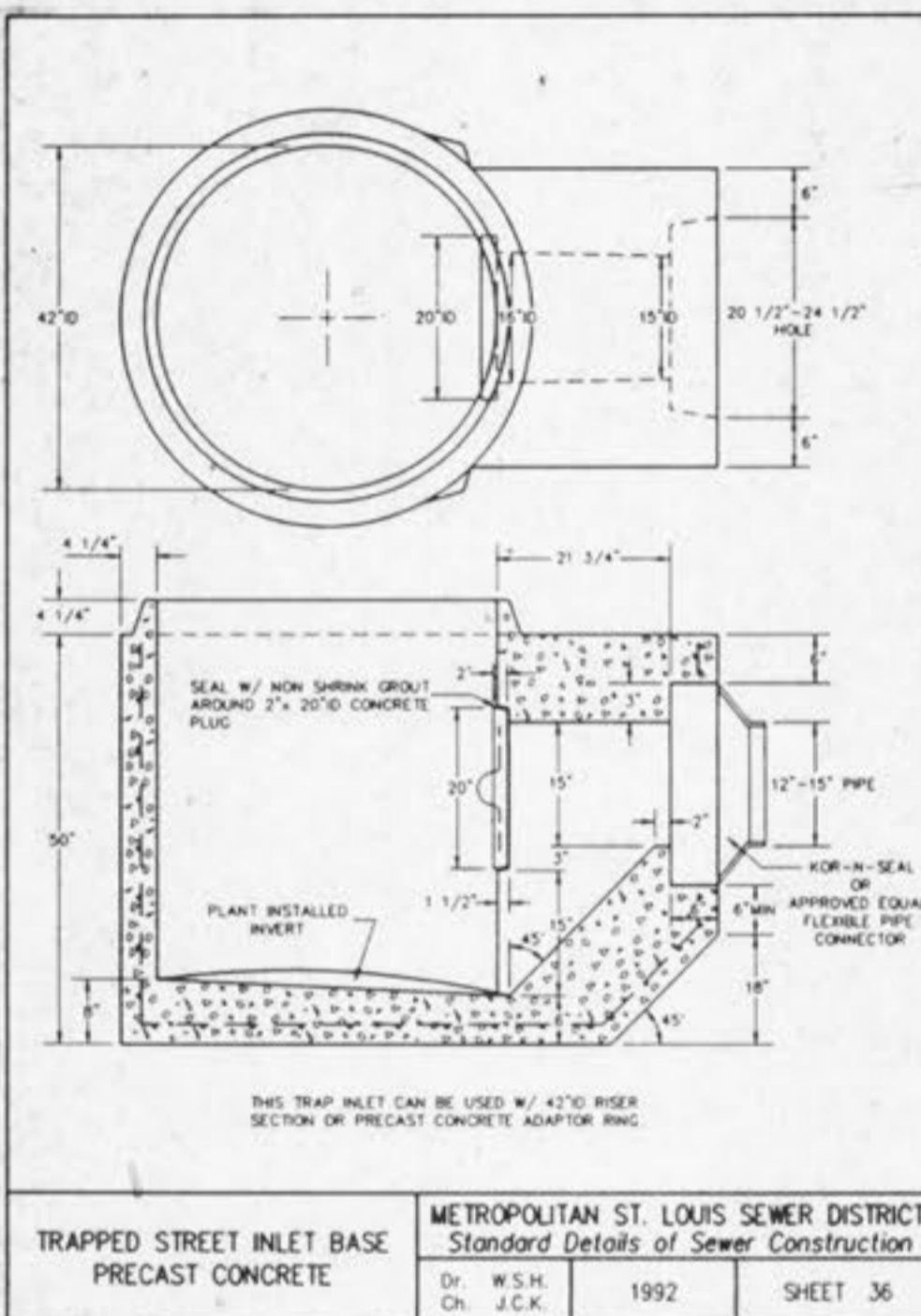
2 GRATE INLETS PRECAST CONCRETE
 METROPOLITAN ST. LOUIS SEWER DISTRICT
 Standard Details of Sewer Construction
 Dr. J.L.G. Ch. J.C.K. APRIL 1992 SHEET 33



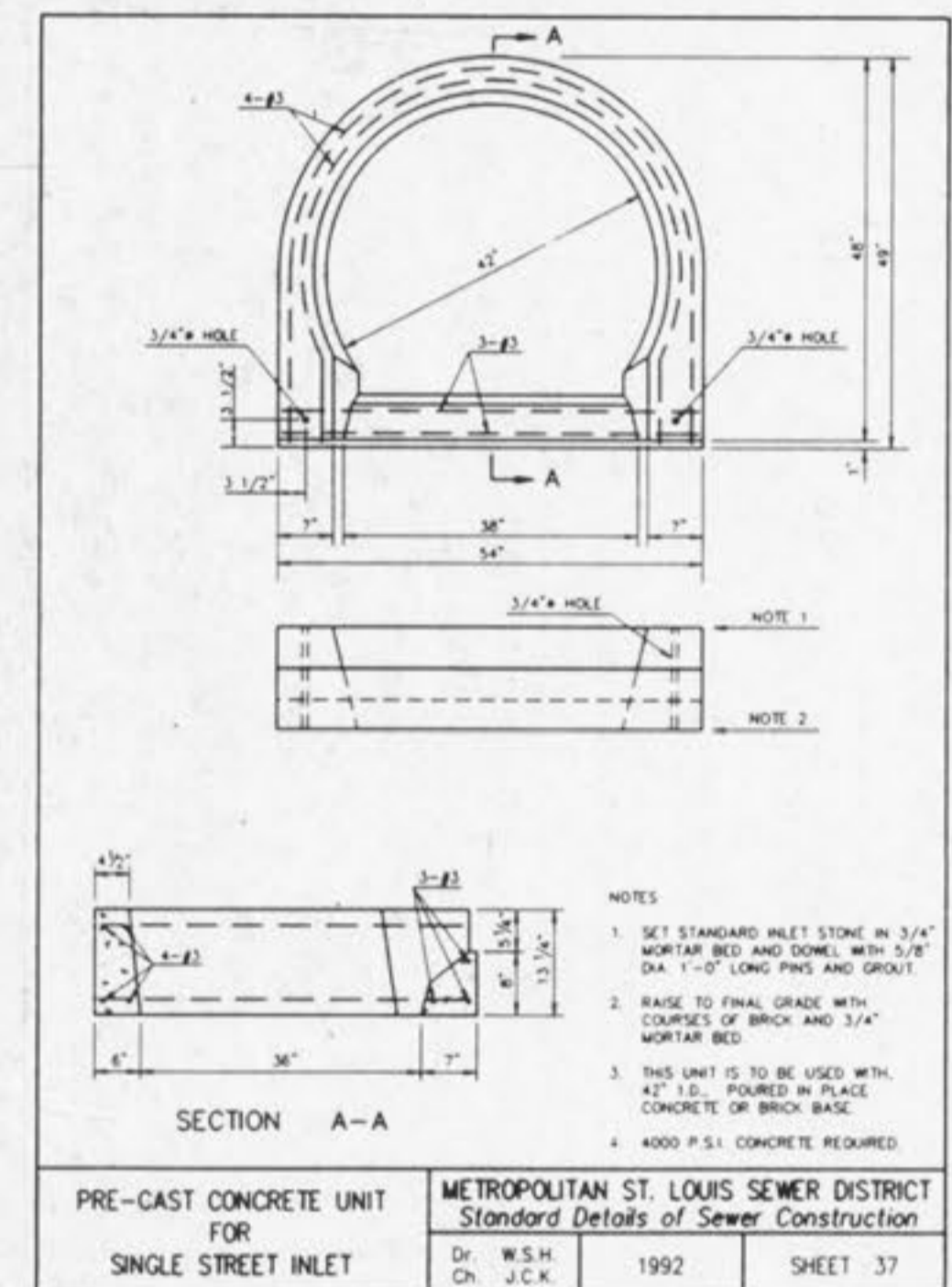
SINGLE STREET INLETS PRECAST CONCRETE
 METROPOLITAN ST. LOUIS SEWER DISTRICT
 Standard Details of Sewer Construction
 Dr. J.L.G. Ch. J.C.K. APRIL 1991 SHEET 34



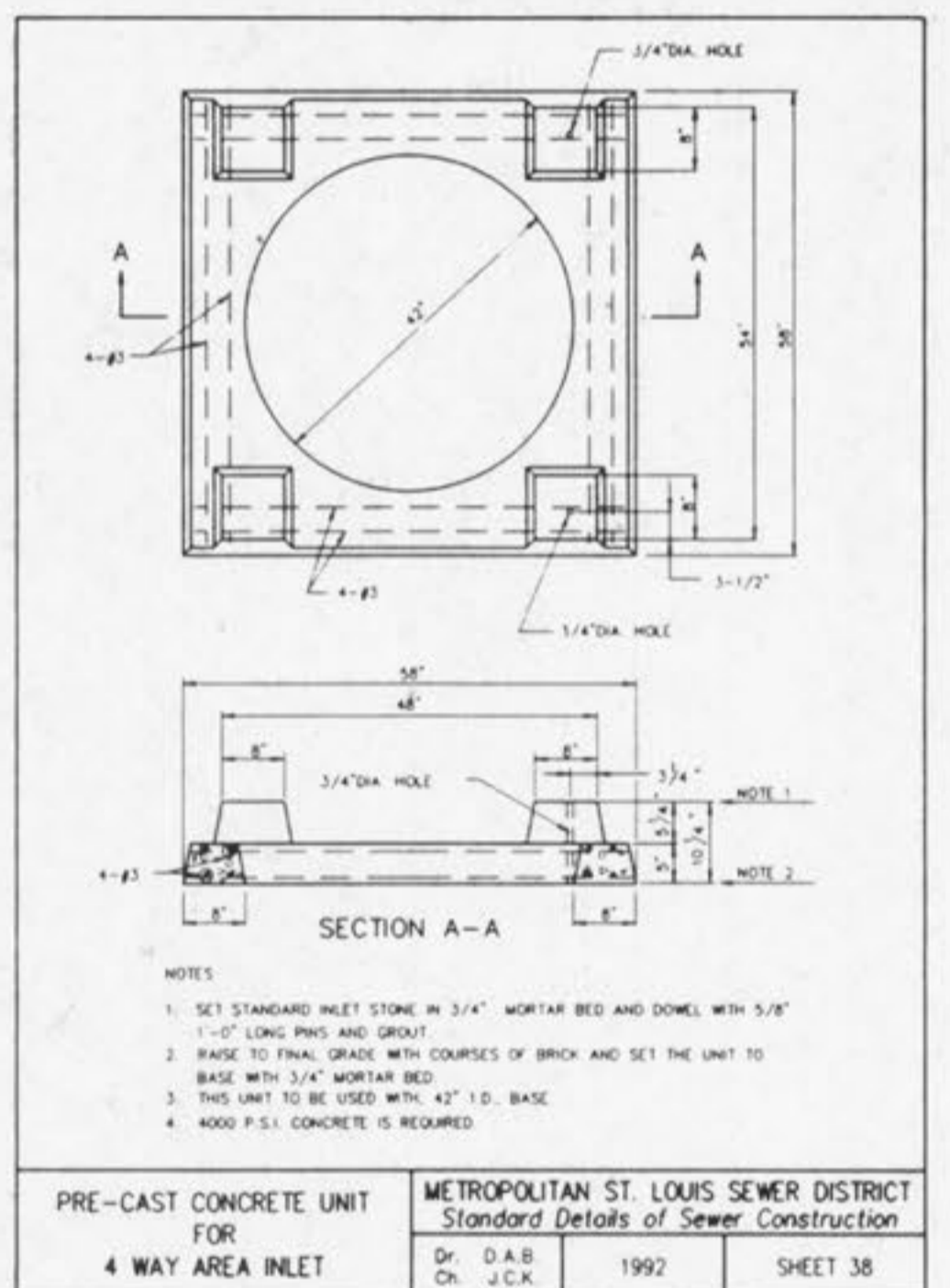
DOUBLE UNTRAPPED STREET INLET PRECAST CONCRETE
 METROPOLITAN ST. LOUIS SEWER DISTRICT
 Standard Details of Sewer Construction
 Dr. J.L.G. Ch. J.C.K. SEPT. 1992 SHEET 35



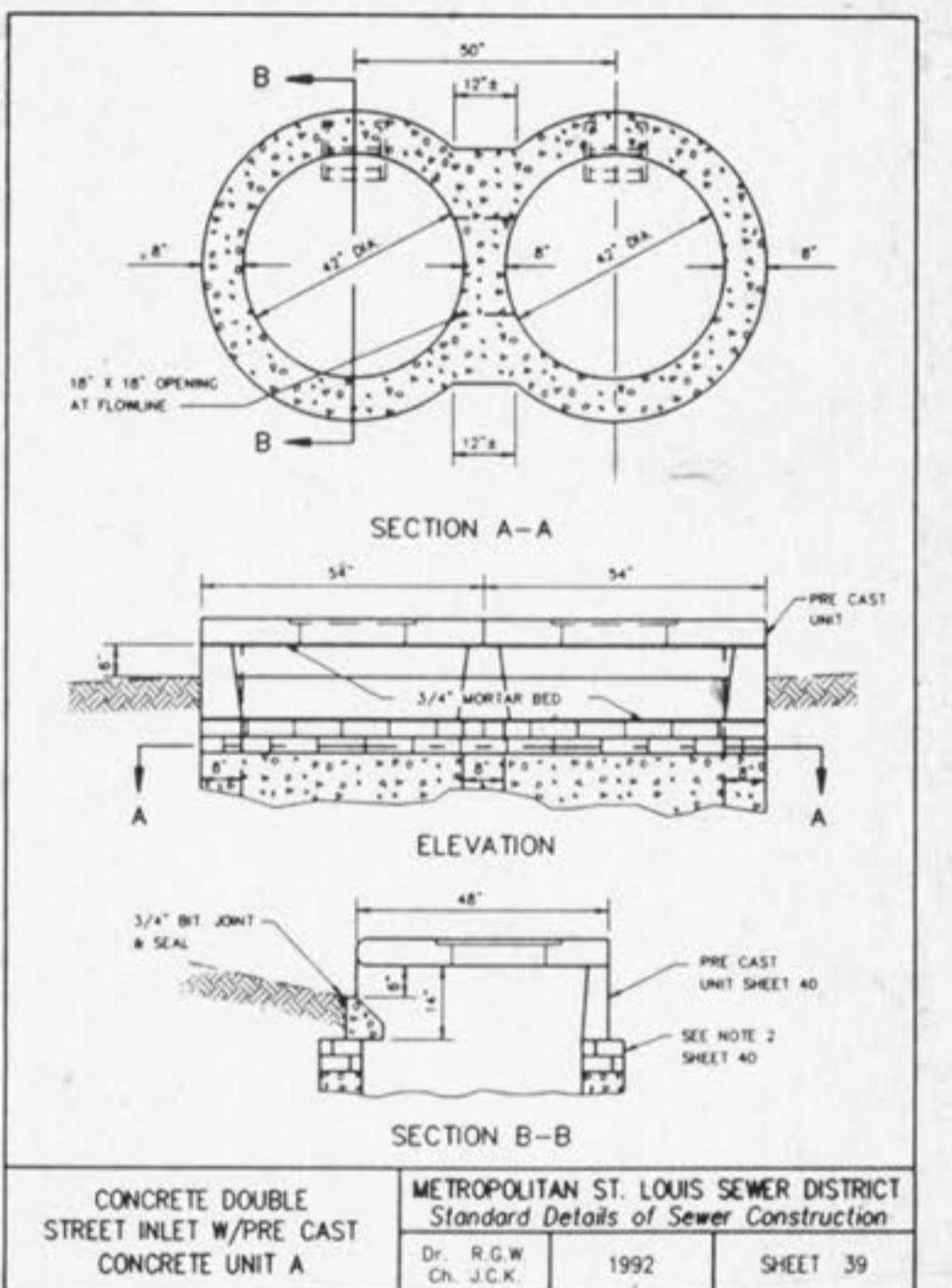
TRAPPED STREET INLET BASE PRECAST CONCRETE
 METROPOLITAN ST. LOUIS SEWER DISTRICT
 Standard Details of Sewer Construction
 Dr. W.S.H. Ch. J.C.K. 1992 SHEET 36



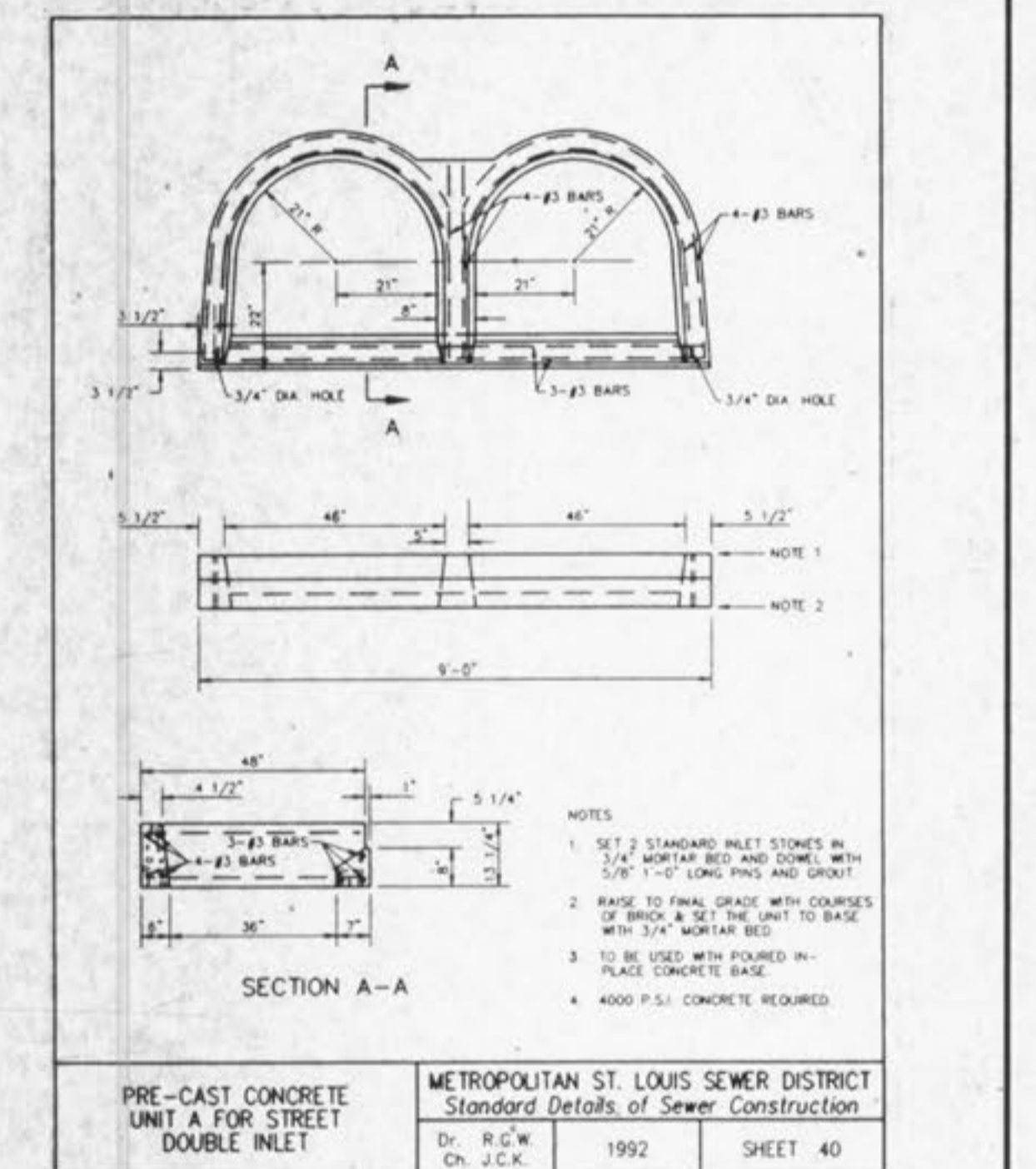
PRE-CAST CONCRETE UNIT FOR SINGLE STREET INLET
 METROPOLITAN ST. LOUIS SEWER DISTRICT
 Standard Details of Sewer Construction
 Dr. D.A.B. Ch. J.C.K. 1992 SHEET 37



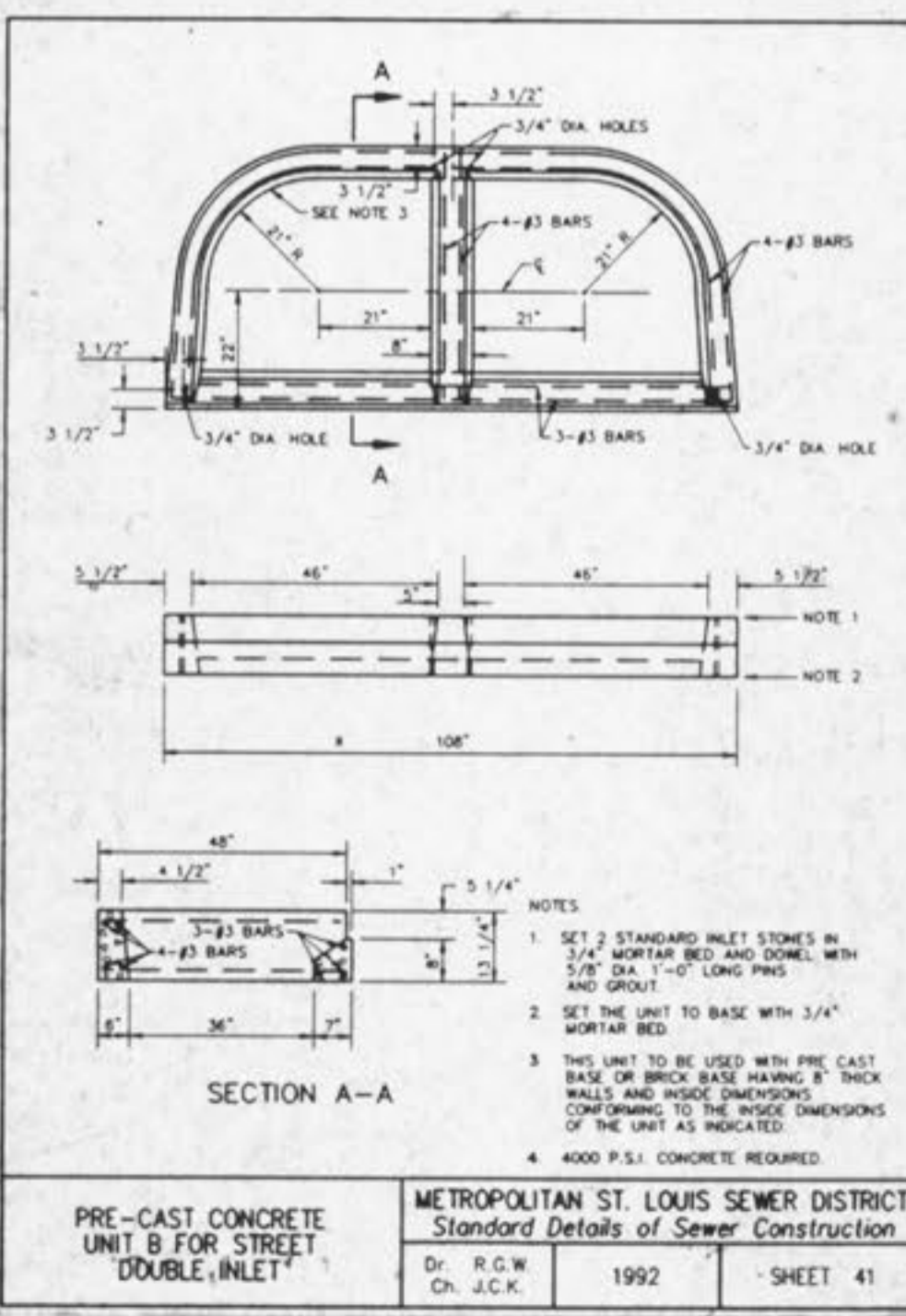
PRE-CAST CONCRETE UNIT FOR 4-WAY AREA INLET
 METROPOLITAN ST. LOUIS SEWER DISTRICT
 Standard Details of Sewer Construction
 Dr. D.A.B. Ch. J.C.K. 1992 SHEET 38



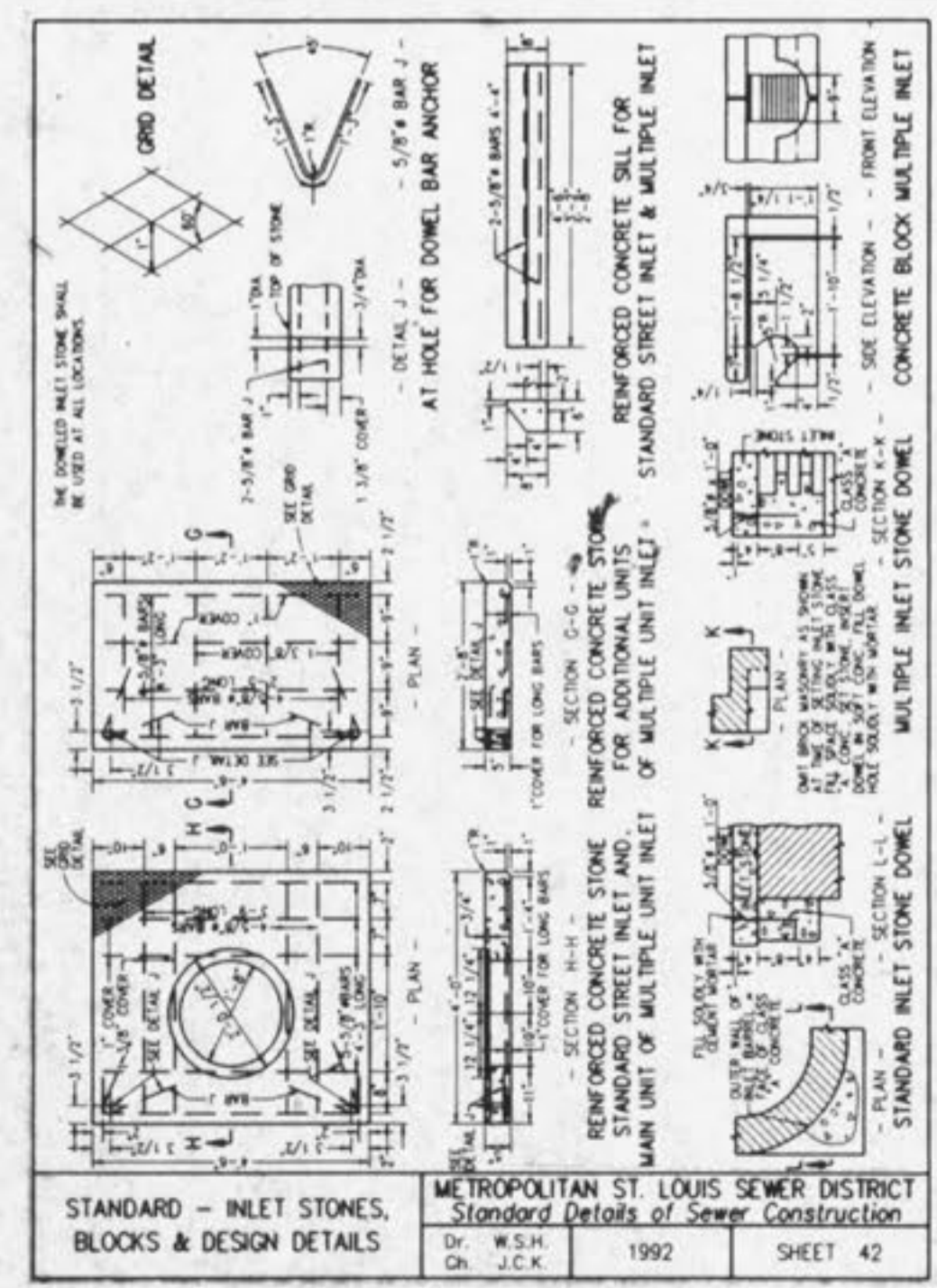
CONCRETE DOUBLE STREET INLET W/ PRE-CAST CONCRETE UNIT A
 METROPOLITAN ST. LOUIS SEWER DISTRICT
 Standard Details of Sewer Construction
 Dr. R.G.W. Ch. J.C.K. 1992 SHEET 39



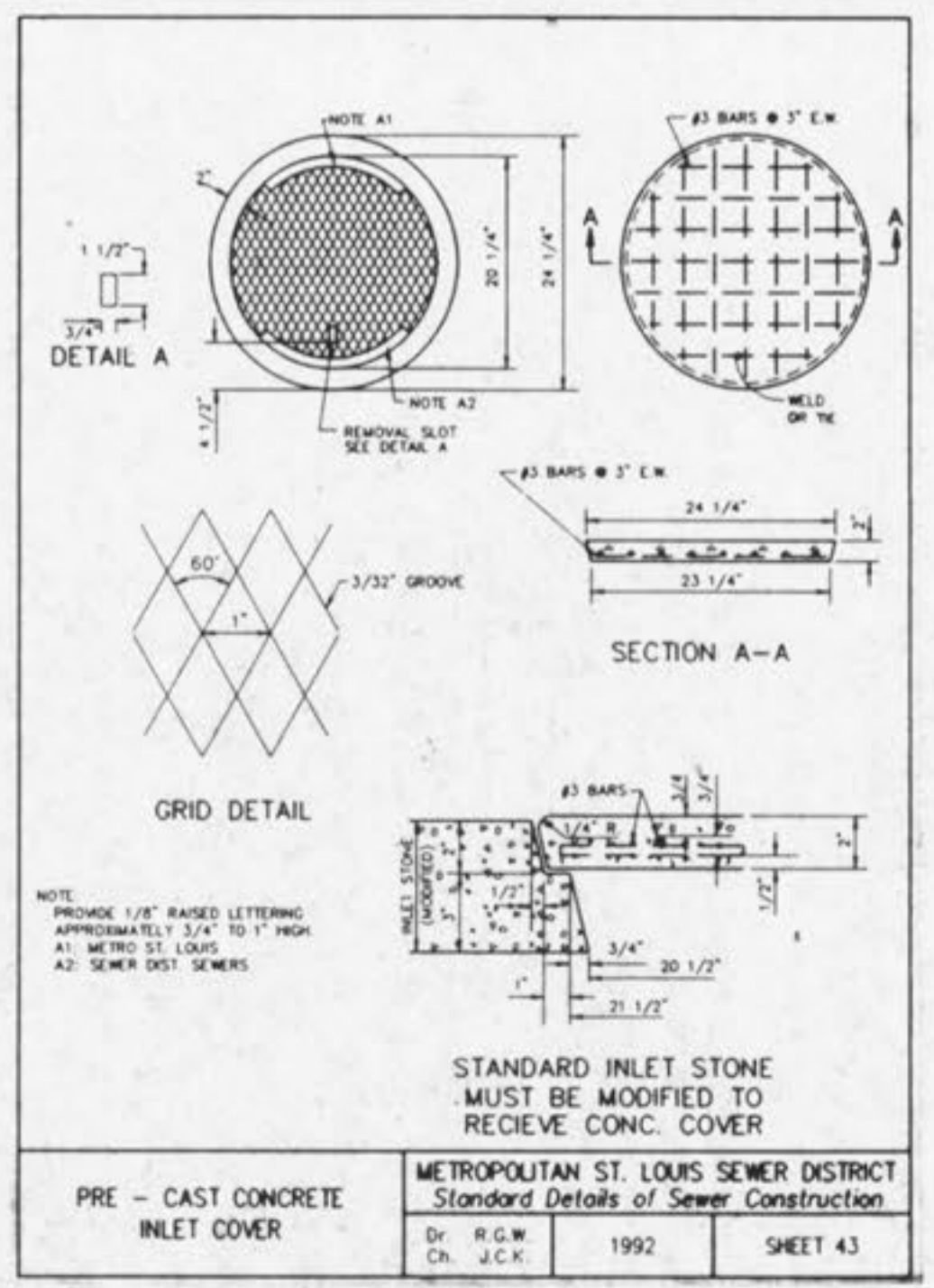
PRE-CAST CONCRETE UNIT A FOR STREET DOUBLE INLET
 METROPOLITAN ST. LOUIS SEWER DISTRICT
 Standard Details of Sewer Construction
 Dr. R.G.W. Ch. J.C.K. 1992 SHEET 40



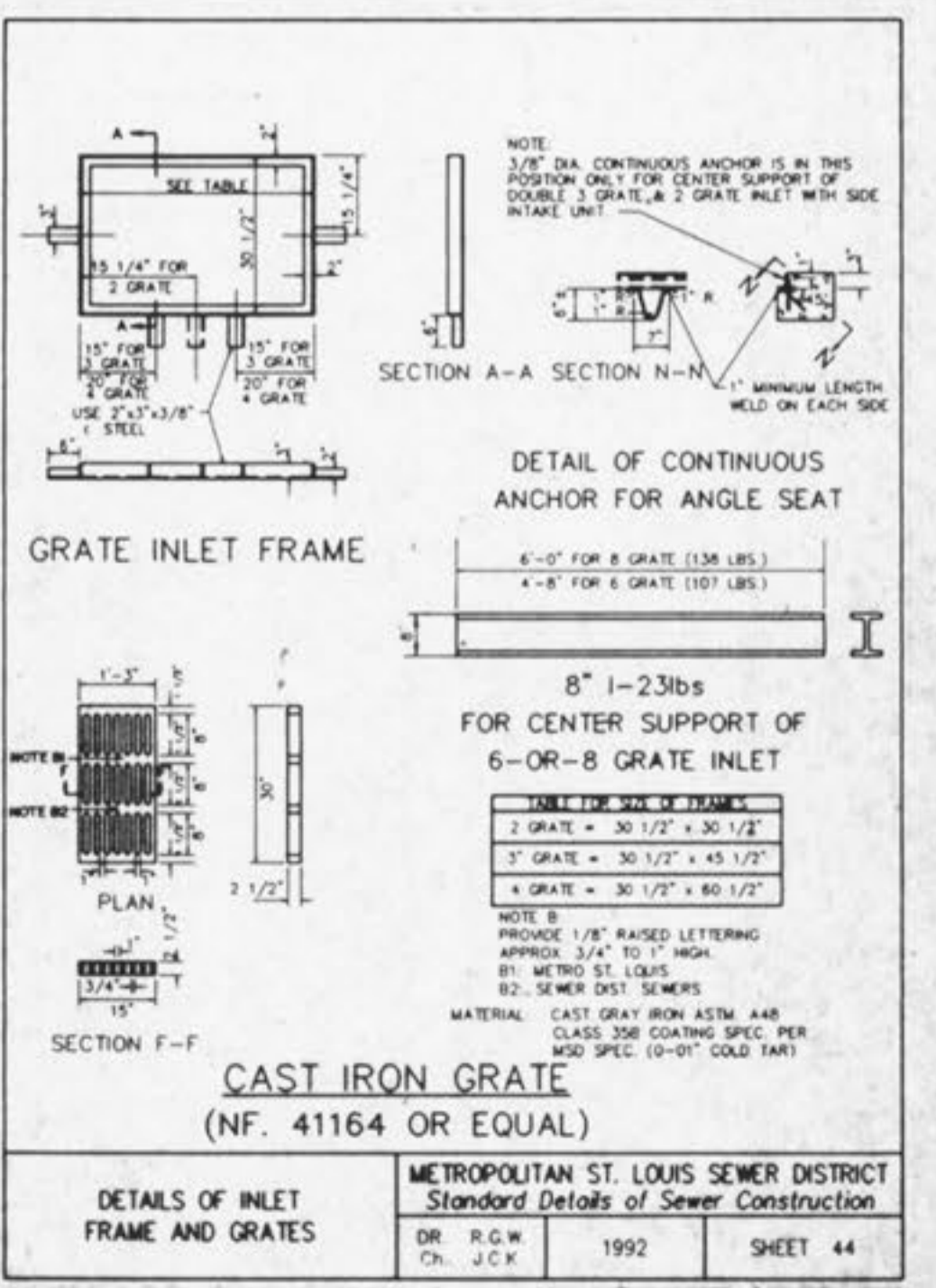
PRE-CAST CONCRETE UNIT B FOR STREET DOUBLE INLET
 METROPOLITAN ST. LOUIS SEWER DISTRICT
 Standard Details of Sewer Construction
 Dr. R.G.W. Ch. J.C.K. 1992 SHEET 41



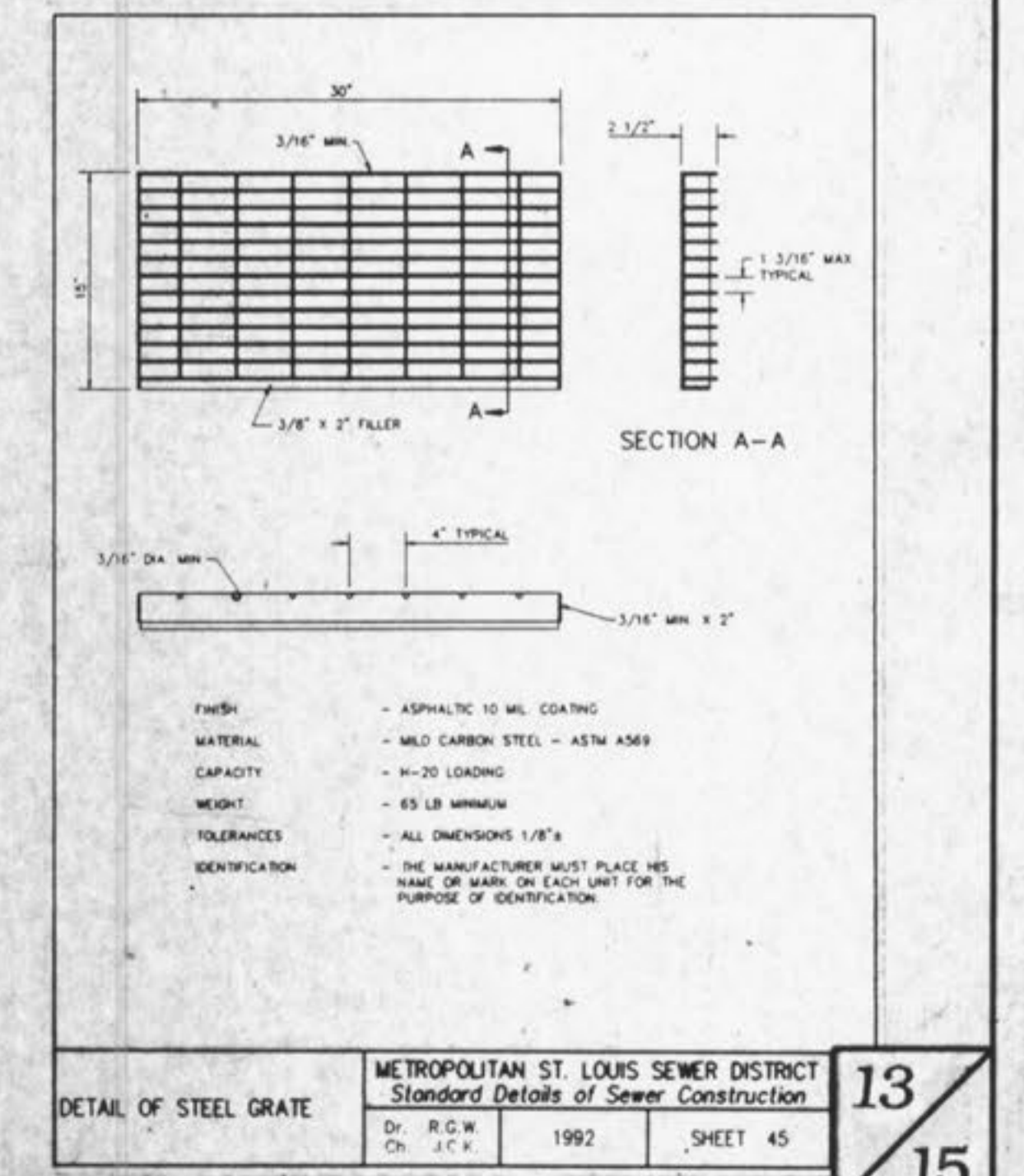
STANDARD - INLET STONES, BLOCKS & DESIGN DETAILS
 METROPOLITAN ST. LOUIS SEWER DISTRICT
 Standard Details of Sewer Construction
 Dr. W.S.H. Ch. J.C.K. 1992 SHEET 42



PRE-CAST CONCRETE INLET COVER
 METROPOLITAN ST. LOUIS SEWER DISTRICT
 Standard Details of Sewer Construction
 Dr. R.G.W. Ch. J.C.K. 1992 SHEET 43



DETAILS OF INLET FRAME AND GRATES
 METROPOLITAN ST. LOUIS SEWER DISTRICT
 Standard Details of Sewer Construction
 Dr. R.G.W. Ch. J.C.K. 1992 SHEET 44



DETAIL OF STEEL GRATE
 METROPOLITAN ST. LOUIS SEWER DISTRICT
 Standard Details of Sewer Construction
 Dr. R.G.W. Ch. J.C.K. 1992 SHEET 45